

APPENDIX
Detailed Requirements
for ECHONET Device objects

Release J

Contents

Contents	ii
Chapter1 Outline of this document	1-1
Chapter2 Device Object Super Class Requirements	2-1
2. 1 "Operation status" property	2-5
2. 2 "Installation location" property	2-5
2. 3 "Standard version information" property	2-7
2. 4 "Fault status" property	2-7
2. 5 "Fault description" property	2-7
2. 6 "Manufacturer code" property	2-10
2. 7 "Business facility code" property	2-10
2. 8 "Product code" property	2-10
2. 9 "Production number" property	2-11
2. 10 "Production date" property	2-11
2. 11 "Property map" property	2-11
2. 12 "Identification number" property	2-12
2. 13 "Manufacturer's fault code" property	2-13
2. 14 "Current limit setting" property	2-14
2. 15 "Power-saving operation setting" property	2-14
2. 16 "Remote control setting" property	2-14
2. 17 "Cumulative operating time" property	2-16
2. 18 "Current time setting" property	2-17
2. 19 "Current date setting" property	2-17
2. 20 "Measured instantaneous power consumption" property	2-17
2. 21 "Measured cumulative power consumption" property	2-17
2. 22 "Power limit setting" property	2-17
Chapter3 Detailed Requirements for Device Objects	3-1
3. 1 Sensor-related Device Class Group	3-1
3. 1. 1 Requirements for gas leak sensor class	3-3
3. 1. 2 Requirements for crime prevention sensor class	3-5
3. 1. 3 Requirements for emergency button class	3-7
3. 1. 4 Requirements for first-aid sensor class	3-8
3. 1. 5 Requirements for earthquake sensor class	3-10
3. 1. 6 Requirements for electric leak sensor class	3-12
3. 1. 7 Requirements for human detection sensor class	3-14
3. 1. 8 Requirements for visitor sensor class	3-15
3. 1. 9 Requirements for call sensor class	3-17
3. 1. 10 Requirements for condensation sensor class	3-19

3. 1. 11	Requirements for air pollution sensor class.....	3-21
3. 1. 12	Requirements for oxygen sensor class	3-23
3. 1. 13	Requirements for illuminance sensor class.....	3-24
3. 1. 14	Requirements for sound sensor class	3-26
3. 1. 15	Requirements for mailing sensor class.....	3-28
3. 1. 16	Requirements for weight sensor class	3-29
3. 1. 17	Requirements for temperature sensor class	3-30
3. 1. 18	Requirements for humidity sensor class.....	3-31
3. 1. 19	Requirements for rain sensor class.....	3-32
3. 1. 20	Requirements for water level sensor class	3-33
3. 1. 21	Requirements for bath water level sensor class.....	3-35
3. 1. 22	Requirements for bath heating status sensor class	3-37
3. 1. 23	Requirements for water leak sensor class.....	3-39
3. 1. 24	Requirements for water overflow sensor class	3-41
3. 1. 25	Requirements for fire sensor class	3-43
3. 1. 26	Requirements for cigarette smoke sensor class	3-45
3. 1. 27	Requirements for CO ₂ sensor class	3-47
3. 1. 28	Requirements for gas sensor class.....	3-48
3. 1. 29	Requirements for VOC sensor class	3-50
3. 1. 30	Requirements for differential pressure sensor class.....	3-52
3. 1. 31	Requirements for air speed sensor class	3-53
3. 1. 32	Requirements for odor sensor class.....	3-54
3. 1. 33	Requirements for flame sensor class	3-56
3. 1. 34	Requirements for electric energy sensor class	3-58
3. 1. 35	Requirements for current value sensor class.....	3-61
3. 1. 36	Requirements for water flow rate sensor class	3-63
3. 1. 37	Requirements for micromotion sensor class	3-64
3. 1. 38	Requirements for passage sensor class	3-66
3. 1. 39	Requirements for bed presence sensor class.....	3-68
3. 1. 40	Requirements for open/close sensor class	3-69
3. 1. 41	Requirements for activity amount sensor class	3-71
3. 1. 42	Requirements for human body location sensor.....	3-73
3. 1. 43	Requirements for snow sensor class.....	3-76
3. 1. 44	Requirements for air pressure sensor class	3-78
3. 2	Air Conditioner-related Device Class Group.....	3-79
3. 2. 1	Requirements for home air conditioner class.....	3-81
3. 2. 2	Requirements for ventilation fan class.....	3-105
3. 2. 3	Requirements for air conditioner ventilation fan class.....	3-106
3. 2. 4	Requirements for air cleaner class	3-109
3. 2. 5	Requirements for humidifier class.....	3-111
3. 2. 6	Requirements for electric heater class	3-114

3. 2. 7 Requirements for Fan heater class.....	3-118
3. 2. 8 Requirements for electric storage heater class.....	3-122
3. 2. 9 Requirements for package-type commercial air conditioner (indoor unit) (except those for facilities) class.....	3-129
3. 2. 10 Requirements for package-type commercial air conditioner (outdoor unit) (except those for facilities) class.....	3-133
3. 3 Housing/Facilities-related Device Class Group.....	3-140
3. 3. 1 Requirements for electrically operated blind/shade class.....	3-143
3. 3. 2 Requirements for electrically operated shutter class	3-149
3. 3. 3 Requirements for electrically operated rain sliding door/shutter class.....	3-154
3. 3. 4 Requirements for electrically operated gate class.....	3-160
3. 3. 5 Requirements for electrically operated window class	3-165
3. 3. 6 Requirements for automatically operated entrance door/sliding door class	3-170
3. 3. 7 Requirements for sprinkler (for garden) class	3-175
3. 3. 8 Requirements for electric water heater class	3-178
3. 3. 9 Requirement for the electric toilet seat (warm-water washing toilet seat, heating toilet seat, etc.) class.....	3-200
3. 3. 10 Requirement for the electric lock class.....	3-204
3. 3. 11 Requirements for instantaneous water heater class.....	3-207
3. 3. 12 Requirements for bathroom heater and dryer class	3-216
3. 3. 13 Requirements for household solar power generation class	3-225
3. 3. 14 Requirement for cold or hot water heat source equipment class.....	3-228
3. 3. 15 Requirement for floor heater class.....	3-236
3. 3. 16 Requirements for fuel cell class.....	3-244
3. 3. 17 Requirements for storage battery class.....	3-250
3. 3. 18 Requirements for electric vehicle charger/discharger class.....	3-272
3. 3. 19 Requirements for engine cogeneration class.....	3-291
3. 3. 20 Requirements for watt-hour meter class.....	3-296
3. 3. 21 Requirements for water flowmeter class.....	3-299
3. 3. 22 Requirements for gas meter class.....	3-303
3. 3. 23 Requirements for LP gas meter class	3-305
3. 3. 24 Requirements for power distribution board metering class.....	3-311
3. 3. 25 Requirements for low -voltage smart electric energy meter class	3-332
3. 3. 26 Requirements for smart gas meter class.....	3-345
3. 3. 27 Requirements for high-voltage smart electric energy meter class.....	3-354
3. 3. 28 Requirements for kerosene meter class.....	3-374
3. 3. 29 Requirements for smart kerosene meter class	3-376
3. 3. 30 Requirements for general lighting class.....	3-384
3. 3. 31 Requirements for mono functional lighting class.....	3-394
3. 3. 32 Requirements for buzzer class	3-395
3. 3. 33 Requirements for electric vehicle charger class	3-396

3. 3. 34 Household small wind turbine power generation	3-406
3. 3. 35 Requirements for lighting system class	3-411
3. 3. 36 Requirements for extended lighting system class	3-413
3. 4 Cooking/Household-related Device Class Group	3-418
3. 4. 1 Requirements for electric hot water pot (Electric thermos).....	3-420
3. 4. 2 Requirements for refrigerator class	3-422
3. 4. 3 Requirements for combination microwave oven (electronic oven) class	3-435
3. 4. 4 Requirements for cooking heater class	3-451
3. 4. 5 Requirements for rice cooker class.....	3-457
3. 4. 6 Requirements for washing machine class.....	3-460
3. 4. 7 Requirements for commercial showcase class	3-463
3. 4. 8 Requirements for clothes dryer class.....	3-469
3. 4. 9 Requirements for washer and dryer class	3-472
3. 4. 10 Requirements for the commercial showcase outdoor unit class	3-502
3. 5 Health-related Device Class Group	3-504
3. 5. 1 Requirements for weighing machine class.....	3-505
3. 6 Management/Operation-related Device Class Group	3-506
3. 6. 1 Requirements for switch class (supporting JEM-A/VHA terminals)	3-507
3. 6. 2 Requirements for controller class	3-508
3. 6. 3 Requirements for the DR event controller class	3-515
3. 6. 4 Requirements for parallel processing combination-type power control class	3-577
3. 7 Audiovisual-related Device Class Group	3-580
3. 7. 1 Requirements for display class	3-581
3. 7. 2 Requirements for television class.....	3-587
3. 7. 3 Requirements for audio class	3-589
3. 7. 4 Requirements for network camera.....	3-592
Annex 1 Property Map Description Format	I

Revision record

	REVISED PARTS
Ver.1.01 Release B	<ul style="list-style-type: none"> • Added requirements for the “water flow rate sensor class”, “micromotion sensor class”, “passage sensor class”, “bed presence sensor class”, and “open/close sensor class” (class codes were newly established). • Added detailed requirements to the “electric hot water pot (electric thermos) class”. • Added property requirements to the “water heater class”.
Ver.2.00 Release B	<ul style="list-style-type: none"> • Added requirements to the “activity amount sensor class”, “human body location sensor class”, and “buzzer class” (class codes were newly established). • Added detailed requirements to the “rice cooker class”. • Added property requirements to the “washing machine class” and “electric water heater using midnight power service class”.
Ver.2.01 Release A	<ul style="list-style-type: none"> • Added a description indicating values in effective values to the “measured amount of electric energy” property (0xE0) for the “current value sensor class” when the measured electric current is alternating current. • Added a description indicating values in effective values, to the “measured value of current consumption” property (0xB9) for the “home air conditioner class” when the measured electric current is alternating current. • Added a description indicating values in an effective value to the “measured value of current consumption” property (0xDA) for the “refrigerator class, when the measured electric current is alternating current. • Corrected layout errors in human body existence information bitmap table for the “activity amount sensor class” and “human body location sensor class”. • Corrected errors in item numbers for the detailed description for the “activity amount sensor class” and “human body location sensor class”. • Reviewed the descriptions related to “residual volume control warning” property, “set value of residual volume control warning level 1” property, “set value of residual volume control warning level 2” property, “set value of residual volume control warning level 3” property, and “test call operation” property for the “LP gas meter class”.
Ver.2.10 Preview	<ul style="list-style-type: none"> • Changed name from the “open/close level” property for the “electrically operated blind class” to “degree-of-opening property”. • Corrected clerical errors in the Annex.
Ver.2.10 Draft	<ul style="list-style-type: none"> • Corresponded the “shade angle setting property” for the “electrically operated blind class” with vertical blind. • Added following properties to the “home air conditioner class”. Ventilation volume setting, degree of humidification setting, mounted air cleaning

	<p>method, air purifier function operation status, mounted air refresh method, air refresher function operation status, mounted self-cleaning method, self-cleaning function operation status, and current limit setting property</p> <ul style="list-style-type: none"> • Changed following properties for “home air conditioner class”. <ul style="list-style-type: none"> Operation mode, automatic control of air flow direction setting, air flow direction (vertical) setting, air flow direction (horizontal) setting, ventilation operation setting, measured value of room relative humidity, measured value of room temperature, measured cooled air temperature, and measured outdoor air temperature • Added following properties to the “electric water heater using midnight power service class”. <ul style="list-style-type: none"> Temperature of supplied water setting, bath water temperature setting, bath hot water addition function setting, lukewarm water temperature lowering function setting, bath hot water volume setting 2, and bath hot water volume setting 3 • Added following properties to the “water heater class”. <ul style="list-style-type: none"> Bath hot water volume setting 3 • Corrected clerical errors in the “electric water heater using midnight power service class” and “water heater class”. • Added standard version information to the Annex 1-8. • Corrected clerical errors in the Annex.
Ver.2.10 Release A	<ul style="list-style-type: none"> • Corrected clerical errors in the Ver.2.10 Draft.
Ver.2.11 Release A	Corrected clerical errors in the Annex of the Ver.2.10 Release A.
Ver.3.00 Release A	Reviewed a part of descriptions in Annex 2.6 table F4.
Ver.3.00 Release B	<p>1. 4. 6 Added requirements to the “washer and dryer class”.</p> <p>Corrected clerical errors:</p>
Ver.3.00 Release C	<ul style="list-style-type: none"> • Deleted annex. • Added/copied statements described in Table 4.2 through 4.7 of Section 2 ECHONET Communication Middleware Specifications to the “List of Objects” in the APPENDIX. <ul style="list-style-type: none"> • Added following sentences to the description of the “(1) operation status property” for requirements for the “home air conditioner”, “refrigerator”, “combination microwave oven (electronic oven)”, and “washer and dryer” classes. <p>“When the property is OFF (0x31), values obtained from the other properties shall not be guaranteed, unless they are otherwise specified in this standard.”</p>
Ver.3.10 Release A	<ul style="list-style-type: none"> • Corrected table numbers of Table 1.2 and succeeding tables.
Ver.3.11 Release A	<ul style="list-style-type: none"> • Published for consortium members only.
Ver.3.11 Release B	<ul style="list-style-type: none"> • Added property requirements to the “home air conditioner class”. • Added property requirements to the “refrigerator class”. • Added property requirements to the “combination microwave oven (electronic oven) class”. • Added property requirements to the “washer and dryer class”. • Added and corrected the first part of the APPENDIX Chapter 1 Detailed Requirements for Device Objects
Ver.3.11 Release B	<ul style="list-style-type: none"> • Published for consortium members only.

Ver.3.12 Release A	<ul style="list-style-type: none"> Published for consortium members only.
Ver.3.12 Release B	<ul style="list-style-type: none"> Added “electrically operated shutter class”. Published for consortium members only.
Ver.3.12 Release C	<ul style="list-style-type: none"> Added requirements to the “package-type commercial air conditioner (indoor unit) class”. Added requirements to the “package-type commercial air conditioner (outdoor unit)” class.
Ver.3.20 Release A	<ul style="list-style-type: none"> Changed “water heater class” to “instantaneous water heater class”. Clarified classification of water heater function and bath water heating function. Described referent for communication definition objects. Published for consortium members only.
Ver.3.20 Release B	<ul style="list-style-type: none"> Added property requirements to the “open/close sensor class”. Published for consortium members only.
Ver.3.21 Release A	<ul style="list-style-type: none"> Published for consortium members only.
Ver.3.30 Draft	<ul style="list-style-type: none"> Published for consortium members only.
Ver.3.21 Release B	<ul style="list-style-type: none"> Added detailed requirements to the “fan heater class”. Added detailed requirements to the “humidifier class”. Added detailed requirements to the “electrically operated rain sliding door class”. Added detailed requirements to the “electric lock class”. Newly added “snow sensor class”. Added detailed requirements to the “electric toilet seat class”. Added detailed requirements to the “sprinkler class”. Newly added “floor heater class. Newly added “heat source equipment class”. Added property requirements to the “washer and dryer class”. Deleted electric lock unlocking permission status property of the “electrically operated shutter class”. Published for consortium members only.
Ver.3.30 Release A	<ul style="list-style-type: none"> Published for consortium members only.
Ver.3.40 Draft	<ul style="list-style-type: none"> Published for consortium members only.
Ver.3.40 Release A	<ul style="list-style-type: none"> Published for consortium members only.
Ver.3.40 Release B	<ul style="list-style-type: none"> Added a description for operation status property to the table of the classes. Added a description of conditionally required property to the first part. Corrected a range of the “reserved for future use” in the list of sensors from 0x2BD to 0x2D (clerical errors) Home air conditioners Described both access/non-access arrangements. Described both “Set” and “Get” cases for access rules of air purification mode setting (0xC7), refresh mode setting (0xC9), and self-washing mode setting (0xCB). Added descriptions for changing a property to mandatory (see the following table).

Device name	Corrections
Open/close sensor	Changed the indication in the “mandatory” column from “degree-of-opening detection status 1 and 2 (0xE0, 0xB1)” to “○”. Added a note of “one of these is mandatory” under the table.
Activity amount sensor	Changed the indication in the “mandatory” column from “activity amount level 1 and 2 (0xE0, 0xE2)” to “○”. Added a note of “one of these is mandatory” under the table.
Human body location sensor	Changed the indication in the “mandatory” column from “human body detection location 1 and 2 (0xE0, 0xE2)” to “○”. Added a note of “one of these is mandatory” under the table.
Home air conditioners	Changed the indication in the “mandatory” column from “Set” of the “operation status (0x80)” to “○”.
Ventilation fans	Changed the indication in the “mandatory” column from “Set” of the “operation status (0x80)” to “○”.
Air cleaners	Changed the indication in the “mandatory” column from “Set” of the “operation status (0x80)” to “○”.
Package-type commercial air conditioners (indoor unit)	Changed the indication in the “mandatory” column from “Set” of the “operation status (0x80)” to “○”.
Powered window shades	Changed the degree-of-opening level (0xE1) from optional to mandatory.
Devices using midnight power service Electric water heaters	Changed the indication in the “mandatory” column from “automatic water heating setting (0xB0)” to “○”. Changed the automatic bath water heating mode setting (0xE3) from optional to mandatory.
Instantaneous water heaters	Changed the automatic bath water heating mode setting (0xE3) from optional to mandatory.
Cold or hot water heat source equipment	Added a note of “one of these is mandatory” under the table.
General lightings	Changed the indication in the “mandatory” column from “Set” of the “operation status (0x80)” to “○”.
Refrigerator	Changed the door open/close status (0xB0) from optional to mandatory. Added words of “any of the detectable doors” to the detailed requirements.
Rice cooker	Changed the indication in the “mandatory” column from “Rice cooking status (0xB1)” to “○”. Changed the rice cooking control setting (0xB2) from optional to mandatory.
Weighing machine	Changed the indication in the “mandatory” column from “Measured value of body weight (0xE0)” to “○”.
	<ul style="list-style-type: none"> • Changed “electric cooker class” to “cooking heater class” to add detailed requirements. • Published for consortium members only.
Ver.3.41 Release A	<ul style="list-style-type: none"> • Published for consortium members only.
Ver.3.41 Release B	<ul style="list-style-type: none"> • Added detailed requirements for “bathroom heater and dryer class”. • Added a description for manufacturer’s original codes to Chapter 1. • Published for consortium members only.
Ver.3.2 Release A	<ul style="list-style-type: none"> • Published for general public
Ver.3.42 Release A	<ul style="list-style-type: none"> • Published for consortium members only.
Ver.3.42 Release B	<ul style="list-style-type: none"> • Property name: corrected according to the “Guide for giving a property name”. • Corrected clerical errors: • Added audiovisual-related device class group 1.7, while adding display and TV

	<ul style="list-style-type: none"> objects as detailed description of the group. • Published for consortium members only.
Ver.3.50 Draft	<ul style="list-style-type: none"> • Published for consortium members only.
Ver.3.50	<ul style="list-style-type: none"> • Published for consortium members only.
Ver.3.51 Draft	<ul style="list-style-type: none"> • Published for consortium members only.
Ver.3.60	<ul style="list-style-type: none"> • Published for consortium members only. • Published for general public
Release A	<ul style="list-style-type: none"> • Described that the document supports the ECHONET version 4.0 and ECHONET Lite version 1.0. • Added requirements for the “device object super class”. Deleted all properties for the “device object super class” described in device objects, unless they have different definitions. • Changed name of the “electric water heater using midnight power service class” to “electric water heater class” and reviewed its property. • Reviewed property of the “household solar power generation class”. • Added detailed requirements for the “fuel cell class”. • Added detailed requirements for the “storage battery class”. • Added detailed requirements for the “power distribution board metering class”. • Added detailed requirements for the “smart electric energy meter class”. • Added detailed requirements for the “smart gas meter class”. • Added detailed requirements for the “water flowmeter class”. • Added detailed requirements for the “clothes dryer class”. • Added detailed requirements for the “switch class”. • Added detailed requirements for the “ventilation fan class” • Reviewed properties for the “illuminance sensor class”, “air speed sensor class”, “electric energy sensor class”, “current value sensor class”, “water flow rate sensor class”, and “open/close sensor class” for the sensor-related class. • Reviewed properties for the “home air conditioner class” and “air cleaner class” under the air conditioner-related class. • Reviewed properties for the “general lighting class” under the housing/facilities-related class. • Reviewed properties for the “washer and dryer class” under the cooking/household-related device class • Published for consortium members only.
Release B draft	<ul style="list-style-type: none"> • Newly defined “number of effective digits for cumulative amounts of electric energy” (EPC=0xD7), “cumulative amounts of electric energy measured at fixed time (normal direction)” (EPC=0xEA), and “cumulative amounts of electric energy measured at fixed time (reverse direction)” (EPC=0xEB) for the “smart electric energy meter class”. • Changed the “meter approval number” property for the “smart electric energy meter

	<p>class” to any property.</p> <ul style="list-style-type: none"> • Added/corrected detailed descriptions for “smart electric energy meter class”. • Newly defined “gas meter reading” (EPC=0xD1) and “cumulative value of used amount of gas log” (EPC=0xD2) for the “smart gas meter class”. • Changed the “unit for measured cumulative gas consumption” property, “detection of abnormal value in metering data” property, and “center valve shut-off status” property for the “smart gas meter class” from “mandatory” to “optional”. • Added/corrected the detailed descriptions for the “smart gas meter class”. • Newly defined “minimum/maximum charging/discharging electric energy” (0xC8), “minimum/maximum discharging electric energy” (0xC9), “minimum/maximum charging current” (0xCA), “minimum/maximum discharging current” (0xCB), “charging amount setting 1” (0xE7), “discharging amount setting 1” (0xE8), “charging amount setting 2” (0xE9), “discharging amount setting 2” (0xEA), “charging electric energy setting” (0xEB), “discharging electric energy setting” (0xEC), “charging current setting” (0xED), and “discharging current setting” (0xEE) for the “storage battery class”. • Added “other” to the “operation mode” property values for the “storage battery class”. • Added/corrected detailed descriptions for the “storage battery class”. • Changed property names of the “storage battery class”, “smart electric energy meter class”, and “smart gas meter class” according to the ECHONET Property Naming Rules. • Newly defined electric vehicle charge/discharge system class. • Changed EPC of water flow classification for the “water flowmeter class” to “0xD0” and owner classification to “0xD1”. • Changed the access rule of the identification number property to “Get” only. • Corrected errata. • Published for consortium members only.
<p>Release B</p>	<ul style="list-style-type: none"> • Clearly stated that the communication definition object is not supported, since it is not defined for ECHONET Lite. • Corrected table numbers to make them consistent with the chapter structure. • Corrected the remarks of the super class to make them consistent with the remark numbers under of the table (previously, they were indicated as “*”). • Corrected the “cumulative amounts of electric energy (normal direction)=0x0001E240 (001234546)” in the detailed descriptions of cumulative amounts of electric energy measured at fixed time (normal direction) property of the “smart electric energy meter class” to “cumulative amounts of electric energy (normal direction)=0x0001E240 “00123456”. • Corrected the “cumulative amounts of electric energy (reverse direction)=0x0001E240 (001234546)” in the detailed descriptions of cumulative amounts of electric energy measured at fixed time (reverse direction) property of the

	<p>“smart electric energy meter class” to “cumulative amounts of electric energy (reverse direction)=0x0001E240 “00123456”.</p> <ul style="list-style-type: none"> • Corrected “0x32: Private sector company” in the owner classification of the “smart electric energy meter class” to “0x32: Other than electric power company”. • Corrected “type of the power being metered in the form of meter” of “type of the “smart electric energy meter class” to “type of the power supplied to the meter”. • Clearly stated how to deal with the date of the verification of the meter will expire smart electric energy meter class. • Corrected rate of the composite transformation ratio for smart electric energy meters from “250A/5A current transformer” to “200A/5A current transformer”. • Corrected the unit of the cumulative amounts of electric energy measured of the “electric energy sensor class” from “Wh” to “kWh”. • Corrected the value range of “measured air temperature property” for the “temperature sensor class” from 0x7FFF to 0x7FFE. • Changed “electric water heater using midnight power service class” in the detailed descriptions of the “electric water heater class” to the “electric water heater class”. • When APPENDIX Release is A for the description of standard version information of the super class, the first and second bytes shall be 0x00, the third byte 0x61, and the fourth byte 0x00. • Corrected overflow code of measured instantaneous gas consumption power for the “fuel cell class” from “ox” to “0x”. • Added missing detailed descriptions of the “water heating temperature setting property” for the “fuel cell class”.
<p>Release C Draft</p>	<ul style="list-style-type: none"> • Added “0x40: other” to light color setting of the general lighting class. Newly defined 0xB5 for “maximum value of settable level for night lighting”, 0xB6 for “lighting mode setting”, 0xB7 for “illuminance level setting for main lighting”, 0xB8 for “illuminance level step setting for main lighting”, 0xB9 for “illuminance level setting for night lighting”, 0xBA for “illuminance level step setting for night lighting”, 0xBB for “light color setting for main lighting”, 0xBC for “light color level step setting for main lighting”, 0xBD for “light color setting for night lighting”, 0xBE for “light color level step setting for night lighting”, and 0xBF for “lighting mode status in auto mode”. When the requirements were added, corrected the maximum value of settable level to “used to acquire the maximum specifiable illuminance level value and the maximum specifiable light color value of main lighting”. Then corrected the detailed descriptions of the previous property accordingly. • Added a description related to the value to be read to the detailed descriptions of “current limit setting” and “power limit setting” properties for the super class. • Added rated power generation output (independent) to the household solar power generation class. Added a description of “when the system is interconnected” to the existing definition of rated power generation output.

- Changed the color of the figure for (22) Air flow direction (horizontal) setting in the detailed descriptions of “home air conditioner class” to a black and white.
- Changed the color of the figure for (14) Air flow direction (vertical) setting in the detailed descriptions of the package-type commercial air conditioner (indoor unit) to a black and white.
- Defined “minimum/maximum charging electric energy (independent)” (0xDC), “minimum/maximum discharging electric energy (independent)” (0xDD), “minimum/maximum charging current value (independent)” (0xDE), “minimum/maximum discharging current value (independent)” (0xDF), “rated voltage (independent)” (0xEF) for the “storage battery class”. Then corrected descriptions for “minimum/maximum charging electric energy”, “minimum/maximum discharging electric energy”, “minimum/maximum charging current value”, “minimum/maximum discharging current value”, and “rated voltage” accordingly.
- Added a figure indicating measured parts to the “storage battery class”.
- Newly defined “alarm activation property (0xC2)” to the electric water heater class.
- Newly added “engine cogeneration class”.
- Deleted “automatic water temperature control setting” property, “water heater status” property, “water heating temperature setting” property, “bath reheating operation” property, “temperature of supplied water setting” property, “bath water temperature setting” property, “bath water volume setting” property, “automatic bath water heating mode setting” property, “bath hot water addition function setting” property, “lukewarm water temperature lowering function setting” property, “bath hot water volume setting 2” property, “bath hot water volume setting 3” property, “ON timer reservation setting” property, and “ON timer reservation setting” property from the “fuel cell class”.
- Added “measured in-house instantaneous power consumption” property, “measured in-house cumulative power consumption” property, “in-house cumulative power consumption reset” property, “power generation status” property to the “fuel cell class”.
- Changed the access rule of the “power generation operation setting” property for the “fuel cell class” to “Set” only.
- Corrected the detailed descriptions of “rated power generation” property and “measured instantaneous amount of electricity generated” property for the “fuel cell class” from “0xFFFF” to “0xFFFF”.
- Annex 1 Clearly stated the number of second and succeeding bytes for property map description format.
- Corrected the missing link in Section 3.6 Secure communication shared key setup node.
- Ensured consistency by using “independent” only in the description of property related to system interconnection, that previously had both “independent” and

	<p>“autonomous”.</p> <ul style="list-style-type: none"> • Corrected announcement at status change of operation status property for the “bathroom heater and dryer” and “cooking heater” classes to mandatory. • Deleted power-saving operation setting from the “electric toilet seat class”. • Published for consortium members only.
<p>Release C</p>	<ul style="list-style-type: none"> • Corrected notation variability in the access rules as a whole. • Added a description of symbols (e.g. “o”) to all figures. • Corrected descriptions in the standard version information for the “device object super class”, corrected notation variability in the access rule, misprints in the detailed descriptions for the “cumulative operating time” property, and added a description in the detailed description to avoid misinterpretation to measured instantaneous power consumption and measured cumulative power consumption. • Changed measured in-house cumulative power consumption of the “fuel cell class” to “not mandatory”. Corrected the number of digits for 0x0 of the value range to the appropriate one. Corrected misprints in the description of “power generation setting” (indicated in the table). Corrected misprints in the description of “measured remaining hot water amount” and “tank capacity”. • Corrected misprints in the description of “cumulative flow rate” of the water flow meter class. • Corrected misprints in the description of connected devices of the switch class. • Corrected misprints in the description of “bath hot water volume setting 1”, “bath hot water volume setting 2”, and “bath hot water volume setting 3” of the instantaneous water heater class. • Corrected misprints in the description of “dryer operation setting” and “room temperature measurement” of bathroom heater and dryer class. • Added notes to avoid misinterpretation to the detailed descriptions of the “charging/discharging amount setting 1 and 2”, “charging amount setting 1 and 2”, and “discharging amount setting 1 and 2” for the “storage battery class”. • Added notes to avoid misinterpretation to the detailed descriptions of the “charging amount setting 1 and 2” and “discharging amount setting 1 and 2” for the “electric vehicle charge/discharge system class”. • Corrected notation variability in the access rules for the “smart gas meter class”. Added an access rule “Get” to the historical information of cumulative gas consumption. • Newly defined RGB setting when in colored lighting mode (0xC0) to the general lighting class. Added colored lighting mode (0x45) as a lighting mode, at the time of new establishment. • Newly added “bath hot water volume setting 4” property and “bath hot water volume setting 4 - maximum settable level” to the “electric water heater class” and “instantaneous water heater” class. • Contained the position information property which was previously defined as

	<p>EPC=0x93 for the “super class” to the “installation location property (EPC=0x81)”, and newly defined the EPC=0x93 as a remote control property.</p>
<p>Release D Draft</p>	<ul style="list-style-type: none"> • Corrected the access rule of the “power generation operation setting” property for the “fuel cell class” and “engine cogeneration class” to “Set//Get”. • Changed property names of the “0xE2: smart electric energy meter class”, “0xE4: cumulative amounts of electric energy measurement log (normal direction)”, “0xE4: cumulative amounts of electric energy measurement log (reverse direction)”, “0xE5: day for which the historical data of measured cumulative amounts of electric energy” to “0xE2: cumulative amounts of electric energy measurement log 1 (normal direction)”, “0xE4: cumulative amounts of electric energy measurement log 1 (reverse direction)”, “0xE5: day for which the historical data of measured cumulative amounts of electric energy 1” respectively. • Corrected a description in “0xE2: cumulative amounts of electric energy measurement log (normal direction)” and “0xE4: cumulative amounts of electric energy measurement log (reverse direction)” for the “smart electric energy meter class”. Then clarified data starting time. • Added “historical data of measured cumulative amounts of electric energy 2 (normal and reverse directions)” property and “day for which the historical data of measured cumulative amounts of electric energy is to be retrieved 2” property to the “smart electric energy meter class”. • Added “0xB4: manual water heating stop days setting” property, “0xB5: relative time setting value for manual water heating” property, “0xB6: tank operation mode setting” property, “0xC3: hot water supply status” property, “0xC4: relative time setting for keeping bath temperature” property, “0xE9: bathroom priority setting” property, “0xEA: bath operation status monitor” property, “0xE4: manual bath reheating operation setting” property to the “electric water heater class”. • Changed property names of the “0xE5: bath hot water addition function setting” and “0xE6: lukewarm water temperature lowering function setting” for the “electric water heater class” to “0xE5: manual bath hot water addition function setting” and

	<p>“0xE6: manual Lukewarm water temperature lowering function setting” respectively.</p> <ul style="list-style-type: none"> • Changed name from “electrically operated blind class” to “electrically operated blind/shade class”, and “0x89: fault description”, “0x90: timer operation setting”, and “0xC1: Sunlight detection status. • “0xC2: wind detection status”, “0xD0: opening (extension) speed setting”, “0xD1: closing (retraction) speed setting”, “0xD2: operation time setting value”, and “0xD4: automatic operation setting” <p>“0xE5: electric lock setting”, “0xE8: remote control setting”, “0xE9: selective opening (extension) level operation setting”</p> <p>“0xEA: open/close (extension/retraction) status”, 0xEE: one-time opening (extension) speed setting”</p> <p>Added “0xEF: one-time closing (retraction) speed setting” property.</p> <p>In the existing properties,</p> <p>Changed class name in the detailed description of the “0x80: operation status”</p> <p>Changed the “0xE0: open/close setting” to “0xE0: open/close (extension/retraction) operation setting” and added a range for stopping to the property description.</p> <p>Changed property of the “0xE1: degree-of-opening level” from 8-step setting to 0-100% setting.</p> <p>Added to the detailed descriptions of the “0xE2: shade angle setting” property.</p> <p>Changed the name of the “0xE3: open/close speed setting” to “0xE3: open/close (extension/retraction) speed setting”, and changed a detailed description of the property.</p> <p>Added following items to the “electrically operated shutter class”:</p> <p>“0x89: fault description”, “0x90: timer operation setting”, and “0xD0: opening speed setting”,</p> <p>“0xD1: closing speed setting”, “0xD2: operation time setting value”, and “0xE8: remote control setting”,</p> <p>“0xE9: selective opening (extension) operation setting property”, “0xEA: open/close status”,</p> <p>“0xED: slit opening setting” and “0xEE: one-time opening speed setting”, and “0xEF: one-time closing speed setting”.</p> <p>In the existing properties,</p> <ul style="list-style-type: none"> • Changed class name in the detailed description of the “0x80: operation status” <p>Changed property name from the “0xE0: open/close setting 1” to “0xE0: open/close operation setting” and further changed detailed description accordingly.</p> <p>Changed property name from the “0xE1: degree-of-opening level 1” to “0xE1: degree-of-opening level” and further changed from 8-step setting to 0-100% setting.</p> <p>Deleted properties for the “0xE4: degree-of-opening level”.</p> <p>Deleted clerical errors in value range of “0xE5: electric lock setting”,</p>
--	---

	<p>permission=0x41, and prohibition=0x42.</p> <p>Deleted properties for the “0xE7: open/close setting 2”.</p> <ul style="list-style-type: none"> • Changed name from “electrically operated rain sliding door class” to “electrically operated rain sliding door/shutter class”, and added following items: • “0x89: fault description”, “0x90: timer operation setting”, and “0xD0: opening speed setting”, • “0xD1: closing speed setting”, “0xD2: operation time setting value”, and “0xE8: remote control setting”, • “0xE9: selective opening (extension) operation setting property”, “0xEA: open/close status”, • “0xED: slit opening setting” and “0xEE: one-time opening speed setting”, • and “0xEF: one-time closing speed setting”. • In the existing properties, • Changed class name in the detailed description of the “0x80: operation status”. • Changed property name from the “0xE0: open/close setting 1” to “0xE0: open/close operation setting” and further changed detailed description accordingly. • Changed property name from the “0xE1: degree-of-opening level 1” to “0xE1: degree-of-opening level” and further changed from 8-step setting to 0-100% setting. • Deleted properties for the “0xE4: degree-of-opening level”. • Deleted clerical errors in value range of “0xE5: electric lock setting”, permission=0x41, and prohibition=0x42. • Deleted properties for the “0xE7: open/close setting 2”. • Changed name from “electric cooker class” to “electrically operated gate class” to add detailed requirements. • Changed name from “electrically operated skylight class” to “electrically operated window class” and added detailed requirements. • Integrated sunblind and shade class (0x66) into the powered window shades and shade class. • Added automatically operated entrance door/sliding door class to the class code 0x66. (detailed requirements are included) • Added “0xE7: battery level” property to the “electric lock class”. • Added automatic (0x46) to the “0xDA: operation mode setting” property of the storage battery class. • Added the access rule “Get” to the “0xCE: thermostat setting override function” property for the “home air conditioner class”. • Changed the name of the “electric vehicle charge/discharge system” class to “electric vehicle charger/discharger class”, and • Changed property names of the “0xC0: V2H useable capacity 1”, “0xC1: V2H Usable capacity 2”, “0xC2: V2H Usable capacity 1”, “0xC3: V2H Remaining usable capacity 2”, “0xC4: V2H Remaining usable capacity 3”, “0xC7: chargeable/dischargeable status”, “0xD0: Used capacity 1”, “0xD1: used capacity
--	---

	<p>2”, “0xE2: remaining stored electricity1”, “0xE3: remaining stored electricity2”, and “0xE4: remaining stored electricity 3” to “0xC0: dischargeable capacity of vehicle mounted battery 1”, “0xC1: dischargeable capacity of vehicle mounted battery 2”, “0xC2: remaining dischargeable capacity of vehicle mounted battery 1”, “0xC3: remaining dischargeable capacity of vehicle mounted battery 2”, “0xC4: remaining dischargeable capacity of vehicle mounted battery 3”, “0xC7: vehicle connection and chargeable/dischargeable status”, “0xD0: used capacity of vehicle mounted battery 1”, “0xD1: used capacity of vehicle mounted battery 2”, “0xE2: remaining stored electricity 1”, “0xE3: remaining stored electricity of vehicle mounted battery 2”, and “0xE4: remaining stored electricity of vehicle mounted battery 3”.</p> <ul style="list-style-type: none"> • Added “vehicle not connected” (0x30) to the “0xC7: vehicle connection and chargeable status” property values. • Corrected detailed requirements of the “0xC5: rated charge capacity” property, “0xC6: rated discharge capacity” property, “0xC8: minimum/maximum charging electric energy” property, “0xC9: minimum/maximum discharging electric energy” property, “0xCA: minimum/maximum charging current value” property, “0xCB: minimum/maximum discharging current value” property, “0xD2: rated voltage” property, and “0xDB: system interconnected type” property. • Deleted “0xE5: battery state of health” property, “0xE8: discharging amount setting 1” property, and “0xEA: discharging amount setting 2” property. • Added “0xEF: rated power generation output (independent)” property. • Changed “Get” of “0xC8: minimum/maximum charging electric energy” property, “0xC9: minimum/maximum discharging electric energy” property, “0xCA: minimum/maximum discharging current value” property, and “0xCB: minimum/maximum discharging current value” property. • Corrected remarks of *1 through *5 and descriptions. • Changed “Set/Get” of “0xD7: measured cumulative discharging electric energy reset setting” property and “0xD9: measured cumulative charging electric energy reset setting” property to “Set” only. • Clearly stated whether electric vehicle charging/discharging device or a vehicle to be connected (battery) shall be subjected in the detailed requirements for properties. Then changed related detailed descriptions. • Published for consortium members only.
<p>Release D</p>	<ul style="list-style-type: none"> • Corrected the “day for which the historical data of measured cumulative amounts of electric energy 1” in the description in “0xE2: cumulative amounts of electric energy measurement log (normal direction)” and “0xE4: cumulative amounts of electric energy measurement log (reverse direction)” for the “smart electric energy meter class” to Byte 2, as initially specified. • Added number of collection segments to the smart electric energy meter class (“historical data of measured cumulative amounts of electric energy 2 (normal and

	<p>reverse directions)” property).</p> <ul style="list-style-type: none"> • Added “0x8F: power-saving operation setting” to the home air conditioner class. Changed “0xBB: measured value of room temperature” from optional to mandatory. Changed “0xA0: air flow rate setting” and announcement at status change from optional to mandatory. • Changed “0xC0: daytime reheating permission setting” for the “electric water heater class” from optional to mandatory. Changed “0xC3: hot water supply status” and announcement at status change from optional to mandatory. Deleted a description related to the cancellation request signal in the detailed descriptions of “0xC2: alarm activation”. Changed “low” and “high” of power consumption to “small” and “large” in the detailed descriptions of “0xB6: tank operation mode setting”. • The detailed description of the “0xCB: Power generation status” of the “engine cogeneration class” said “This property indicates power generation status of power generation operation status of engines”. Corrected the description to “This property indicates power generation status of engine cogeneration”. • Added a description of property value range to the detailed description of the “0xC7: measured instantaneous gas consumption” for the “fuel cell class”. • Changed EPC value in the “sunlight detection status” of the “electrically operated blind/shade class” from 0xC2 to 0xC3. • In the detailed descriptions of the “operation status property”, deleted a description of “When the property is OFF (0x31), values obtained from the other properties shall not be guaranteed, unless they are otherwise specified in this standard”, since the property to be guaranteed has already described in the detailed descriptions for the applicable property. • The detailed description for the operation status property of the “electric water heater class” and “household solar power generation class” indicates whether the functions specific to each class are operating (ON) or not (OFF). Corrected a description of “In the node mounting this class, if the function of this class is started concurrently with the start of node operation, this property may be implemented at a fixed value of 0x30 (Operation status ON)”. • Reviewed the definition of conditionally required property. • Added missing “0x82: standard version information” to the example of property description format (1). • Added “0xCF: operating status” property to the “storage battery class”.
--	--

Release E Draft	<ul style="list-style-type: none"> • Newly added audio class to the audiovisual-related device class group. • Newly added electric storage heater class to the air conditioner-related device class group. • Newly added following properties to the "power distribution board metering class". • "0xB0: master rated capacity", "0xB1: number of measurement channels (simplex)", "0xB2: channel range specification for cumulative amounts of electric energy measurement (simplex)", "0xB3: cumulative amounts of electric energy measured list (simplex)", "0xB4: channel range specification for instantaneous current measurement (simplex)", "0xB5: measured instantaneous current list (simplex)", "0xB6: channel range specification for instantaneous power consumption measurement (simplex)", "0xB7: measured instantaneous amount of electric energy list (simplex)", "0xB8: number of measurement channels (duplex)", "0xB9: channel range specification for cumulative amounts of electric energy measurement (duplex)", "0xBA: cumulative amounts of electric energy measured list (duplex)", "0xBB: channel range specification for instantaneous current measurement (duplex)", "0xBC: measured instantaneous current list (duplex)", "0xBD: channel range specification for instantaneous power consumption measurement (duplex)", and "0xBE: measured instantaneous amount of electric energy list (duplex)" • Corrected values for overflow and underflow codes for measured air temperature property of the "temperature sensor class", since the values were mistakenly crossed with ECHONET and ECHONET Lite standards. • Corrected words related to "alarm for out of hot water" stated in the detailed description of alarm status of the corrected "electric water heater class". • Added following words to the detailed description of the "bath water temperature setting property" for the "electric water heater class". • "This property can double as a property for the bath heat keeping temperature when bath automatic mode is implemented in a water heater." • Added following words to the detailed description of the "automatic bath water heating mode setting property" for the "electric water heater class". • "Because of specification differences between water heaters, the definition of bath automatic operation mode shall depend on the implementation." In general, the mode refers to a series of operations of "supplying hot water, adding hot water, reheating, and keeping bath temperature" or "unplugging (draining), washing, plugging, supplying hot water, adding hot water, reheating, and keeping bath temperature." • Changed the access rule of the "bathroom priority setting property" for the "instantaneous water heater class" to "Get" only, similar to the "electric water heater class". • Added "bath operation status monitoring property" to the "instantaneous water heater class".
-----------------	---

	<ul style="list-style-type: none"> • Deleted following words stated in the detailed description of operation status properties for the “electrically operated blind/shade class”, “electrically operated shutter class”, “electrically operated rain sliding door/shutter class”, “electrically operated gate class”, “electrically operated window class”, “automatically operated entrance door/sliding door class”, and “electric lock class”. • “When the property is OFF (0x31), values obtained from the other properties shall not be guaranteed, unless they are otherwise specified in this standard.” • Corrected clerical errors in the detailed description of operation time setting properties for the “electrically operated blind/shade class”, “electrically operated window class”, “electrically operated shutter class”, “electrically operated rain sliding door/shutter class”, “electrically operated gate class”, and “automatically operated entrance door/sliding door class”. • Added a description for definitions of normal/reverse direction for the “power distribution board metering class”. • Corrected clerical errors in detailed descriptions of the “historical data of measured cumulative amounts of electric energy 2 (normal and reverse directions) property” of the “smart electric energy meter class”. • Clearly stated that the input source is built into the equipment in the detailed descriptions of the “input source setting property” for the “audio class”. • Published for consortium members only.
<p>Release E</p>	<ul style="list-style-type: none"> • Corrected font size and shifted ruled lines in the property list for the “combination microwave oven (electronic oven) class”. • Corrected errata in the first part of the detailed descriptions of the “instantaneous water heater class” requirements and “water heater status property”. • Corrected clerical errors in detailed descriptions of the “one-time opening speed setting” property and “one-time closing speed setting” property for the “electrically operated blind/shade class”, “electrically operated shutter class”, “electrically operated rain sliding door/shutter class”, “electrically operated gate class”, “electrically operated window class”, and “automatically operated entrance door/sliding door class”. • Corrected errata in the “power distribution board metering class”. • Clearly stated that the normal direction shall be handled as positive value, while the reverse direction shall be handled as negative value for measured instantaneous power consumption and measured instantaneous currents for the “power distribution board metering class”. • Clearly stated initial values of the simplex/duplex properties of the “cumulative amounts of electric energy measured list”, “measured instantaneous currents list”, and “measured instantaneous amount of electric energy list” for the “power distribution board metering class”. • Corrected the property values of the “value range of number of measured channels (simplex)” property and “number of measured channels (duplex)” property for the

	<p>“power distribution board metering class” to 0x01-0xFC (1-252), to indicate the number of measured channels.</p> <ul style="list-style-type: none"> • Corrected errata in the “electric storage heater class”. • Used current briefing provided by electric power companies as reference for “setting value for midnight power energizing time” and “setting value for midnight power starting time” for the “electric storage heater class”. • Changed property name of the “model judgment” property for the “electric storage heater class” to “radiation method”. • Corrected clerical errors in lower limit of measured stored heat temperature of the “measured stored heat temperature” for the “electric storage heater class” to 0xFF38. • Corrected errata in the “audio class”. • Entered a relationship and examples of “mute setting” property and “volume setting” property to the “audio class”. • Corrected description of property values for the “input source setting”, when “operation status” property of the audio class turned off. Then, added an example accordingly.
<p>Release F Draft</p>	<ul style="list-style-type: none"> • Newly added following properties to the “electric water heater class”. • “0xD6: volume setting” property, “0xD7: mute setting” property”, “0xD8: remaining hot water volume” property” • Added an overview of the class to the “electric water heater class”. • Newly added following properties to the “instantaneous water heater class”. • “0xD6: volume setting” property, “0xD7: mute setting” property • Added “keeping temperature (0x43)” to the “0xE2: bath water heater status” property of the “instantaneous water heater class”. • Newly added “air pressure sensor class”. • Newly added “high-voltage smart electric energy meter class”. • Added “group information” property to the “package-type commercial air conditioner (indoor unit) class” and “package-type commercial air conditioner (outdoor unit) class”. • Newly established properties for the “commercial showcase class” and “commercial showcase outdoor unit class”. • Changed the name from “smart electric energy meter class” to “low-voltage smart electric energy meter class”. • Deleted the “power type, owner type” property, “phase and wire setting status, ratio of composite transformation ratio” property, “meter approval number” property, “month and year in which the verification of the meter will expire” property, and “measured instantaneous voltages” property from the “low-voltage smart electric energy meter class”. • Corrected property name, property description, and detailed descriptions of ratio of composite transformation ratio for the “low-voltage smart electric energy meter

	<p>class” to coefficient.</p> <ul style="list-style-type: none"> • Changed “cumulative amounts of electric energy measured (normal direction)” property, “cumulative amounts of electric energy measurement log 1 (normal direction)” property, “day for which the historical data of measured cumulative amounts of electric energy 1” property, “measured instantaneous amount of electric energy, measured instantaneous currents” property, and “cumulative amounts of electric energy measured at fixed time (normal direction)” property for the “low-voltage smart electric energy meter class” from optional to mandatory. • Changed “cumulative amounts of electric energy measured (reverse direction)” property, “cumulative amounts of electric energy measurement log 1 (reverse direction)” property, and “cumulative amounts of electric energy measured at fixed time (reverse direction)” property for the “low-voltage smart electric energy meter class” from optional to mandatory with conditions attached. • Corrected wording in the property descriptions and detailed descriptions of the “cumulative amounts of electric energy measured (normal direction)”, “cumulative amounts of electric energy measurement log 1 (normal direction)”, “day for which the historical data of measured cumulative amounts of electric energy 1”, “measured instantaneous amount of electric energy, measured instantaneous currents”, “cumulative amounts of electric energy measured at fixed time (normal direction)”, “cumulative amounts of electric energy measured (reverse direction)”, “cumulative amounts of electric energy measurement log 1 (reverse direction)”, “cumulative amounts of electric energy measured at fixed time (reverse direction)”, and “cumulative amounts of electric energy measurement log 2 (normal direction, reverse direction)” for the “low-voltage smart electric energy meter class”. • Corrected data type of “cumulative amounts of electric energy measured at fixed time (normal direction)” and “cumulative amounts of electric energy measured at fixed time (reverse direction)” for the “low-voltage smart electric energy meter class”. • Newly added “network camera class”. • Corrected clerical errors in Section 2.22 “Power limit setting property”. • Newly added “mono functional lighting class”. • Corrected clerical errors in the values of the “Byte 2 Range from the acquisition start channel” in the detailed descriptions for channel range specification for the “instantaneous current measurement (duplex)”, “measured instantaneous current list (duplex)”, and “measured instantaneous amount of electric energy list (duplex) property” for the “power distribution board metering class”. • Published for consortium members only.
--	--

<p>Release F</p>	<ul style="list-style-type: none"> • Added “exceptional status” property to the “commercial showcase outdoor unit class”, to determine if the case is defrosted. • As a result of member review of the deleted Release F, deleted the “keeping temperature (0x43)” and an announcement at status change from the “0xE2: bath water heater status” property for the “instantaneous water heater class”. • Added “unit of cumulative maximum electric power demand” property to the “high-voltage smart electric energy meter class”.
<p>Release G Draft</p>	<ul style="list-style-type: none"> • Corrected description of the “bath water heater status property” of the “instantaneous water heater class”. • Corrected wording in the detailed descriptions of the “operating status” property and “operation mode setting” property for the “storage battery class”. • Added detailed descriptions of the “rated capacity” property, “operation mode setting” property, “remaining stored electricity 1” property, “remaining stored electricity 2” property, and “remaining stored electricity 3” property for the “storage battery class”. • Newly added following properties to the “cold or hot water heat source equipment class”. <ul style="list-style-type: none"> “0x84: measured instantaneous power consumption” property, “0x85: measured cumulative power consumption” property, “0xE9: rated power consumption” property, and “0xEA: power consumption measurement method” property. • Newly added following properties to the “floor heater class”. <ul style="list-style-type: none"> “0x84: measured instantaneous power consumption” property, “0x85: measured cumulative power consumption” property, “0xE9: rated power consumption” property, and “0xEA: power consumption measurement method” property. • Added detailed descriptions of the “zone change setting property” for the “floor heater class”. • Changed “dischargeable capacity of vehicle mounted battery 2” property, “remaining dischargeable capacity of vehicle mounted battery 2” property, “used capacity of vehicle mounted battery 2” property, and “remaining stored electricity of vehicle mounted battery 2” property for the “electric vehicle charger/discharger class” from mandatory to optional. • Added “undetermined” to the value of the “vehicle connection and chargeable/dischargeable status property” for the “electric vehicle charger/discharger class”. • Added “charger/discharger type” property and “vehicle connection confirmation property” to the “electric vehicle charger/discharger class”. • Reviewed the property values of operation mode setting of the “electric vehicle charger/discharger class”. • Newly added “electric vehicle charger class”. • Added detailed requirements for “controller class”. • Newly added “DR event controller class”.

	<ul style="list-style-type: none"> • Corrected descriptions of value range of the property list of the “cumulative amounts of electric energy measurement log 1 (normal direction)”, “cumulative amounts of electric energy measurement log 1 (reverse direction)”, “cumulative amounts of electric energy measured at fixed time (normal direction)”, and “cumulative amounts of electric energy measured at fixed time (reverse direction)” for the “low-voltage smart electric energy meter class”. • Added a compliment to the detailed descriptions of cumulative amounts of electric energy measurement log 1 (normal direction) and cumulative amounts of electric energy measurement log 1 (reverse direction) for the “low-voltage smart electric energy meter class”. • Added a compliment to the detailed descriptions of the “historical data of measured cumulative gas consumption property” for the “smart gas meter class”. • Corrected description of value range of the property list of the “historical data of measured cumulative amount of active electric energy”, “historical data of measured electric power demand”, and “measurement data of reactive electric power consumption (lag) for power factor measurement” for the “high-voltage smart electric energy meter class”. • Added a compliment to the detailed descriptions of historical data of measured cumulative amount of active electric energy, historical data of measured electric power demand, and measurement data of reactive electric power consumption (lag) for power factor measurement for the “high-voltage smart electric energy meter class”. • Published for consortium members only.
<p>Release G</p>	<ul style="list-style-type: none"> • Corrected detailed descriptions of the “power-saving operation setting property” for the “home air conditioner class”. • Corrected description, value range, data type, and size of the “rated power consumption” property for the “cold or hot water heat source equipment class”. • Partially added descriptions to the detailed description of the “power consumption measurement method” property for the “cold or hot water heat source equipment class”. • Partially added descriptions to the detailed description of the “power consumption measurement method” property for the “floor heater class”. • Added a concept of data retention to the “controller class”. • Corrected additional description related to a link with systems other than ECHONET Lite domain to the “controller class”. • Added a description that the device to be controlled shall be an instance unit for the “index” property for the “controller class”. Added a description to recommend use of “Set/Get” for ESV. • Changed data retention of the “name” property for the “controller class” to “recommended”. • Added “deletion” to the value range of the “connection status” property for the

	<ul style="list-style-type: none"> “corrected controller class”. Corrected the data type of the “number of sprinkles setting property” for the “sprinkler (for garden) class” to “Unsigned char” .
Release G Revised	<ul style="list-style-type: none"> Entered EPC of controlled device registered information renewal version information for “controller class”.
Release H Draft	<ul style="list-style-type: none"> Newly added “kerosene meter class”, “smart kerosene meter class”, “household small wind turbine power generation class”, and “parallel processing combination-type power control class”. Added 0x61 and 0x62 indicating a status of the communication line to the property value of the “remote control operation property (EPC=0x93)” for the “super class”. Added surplus electric energy prediction value to the “electric water heater class”. Added “buzzer” property to the “home air conditioner class”. Added various properties (identification number, current time setting, current date setting, AC effective capacity (charging), AC effective capacity (discharging), AC chargeable capacity, AC dischargeable capacity, AC chargeable amount, AC dischargeable amount, AC charge upper limit setting, AC discharge lower limit setting, AC measured cumulative amount of charging electric energy, AC measured cumulative amount of discharging electric energy, AC charge amount setting value, AC discharge amount setting value, re-interconnection permission setting, operation permission setting, autonomous operation permission setting, AC rated electric energy) to the “storage battery class”. Added property values to the “operating status” property and “operation mode setting” property for the “storage battery class”. Changed “minimum/maximum charging electric energy property”, “minimum/maximum discharging electric energy property”, and “system interconnected type property” for the “storage battery class” from optional to mandatory. Published for consortium members only.
Release H	<ul style="list-style-type: none"> Partially added a description of the “remote control setting property”. Changed “bathroom pre-warmer operation setting property” for the “bathroom heater and dryer class” to optional. Designated an announcement at status change for the “AC charge amount setting value” and “AC discharge amount setting value” using a property table for the “storage battery class”. Partially changed descriptions of the “AC measured cumulative amount of charging electric energy” property, “AC charge amount setting value”, “AC discharge amount setting value” property, “minimum/maximum discharging current value (independent)” property, “charging/discharging amount setting 1” property, “charging/discharging amount setting 2” property, “charging amount setting 1” property, “discharging amount setting 1” property, “charging amount setting 2” property, and “discharging amount setting 2” property for the “storage battery

	<p>class”.</p> <ul style="list-style-type: none"> • Changed “Get” in the “Braking Status” for the “household small wind turbine power generation class” class from optional to mandatory. Then added detailed descriptions.
Release I Draft	<ul style="list-style-type: none"> • Newly added “lighting system class”, “package-type commercial air conditioner (indoor unit) (except those for facilities)”, and “package-type commercial air conditioner (outdoor unit) (except those for facilities) class”. • Added “SI value property”, “SI value resetting property”, “collapse occurrence status property”, and “collapse occurrence status resetting property” to the “earthquake sensor class”. • Added a description of “0 when not charging” or “0 when not discharging” to the detailed descriptions of (31), (32), (33), and (35) for the “electric vehicle charger/discharger class”. • Corrected sample values of “multiplying factor for coefficient” described in the detailed descriptions of (3), (6), (7), (8), (12), (13), (14), (19), and (20) for the “high-voltage smart electric energy meter class” from 0x01 (1) to 0x00 (1). • Added “showcase type information property”, “door type information property”, “showcase configuration information property”, “type of lighting inside the case property”, “type of lighting outside the case property”, “illuminance level setting of lighting inside the showcase property”, “illuminance level setting of lighting outside the showcase property”, “temperature setting of inside the case property”, “showcase shape information property”, and “temperature range information for inside the case property” to the “commercial showcase class”. • Clarified the definition of the “group information property” for the “commercial showcase class”, and changed the access rule “Get” installation level to “mandatory”. • Deleted “draining” of a value range of the “operation mode property” from the “commercial showcase class”. • Clarified the definition of the “group information property” for the “commercial showcase (outdoor unit) class”, and changed the access rule “Get” installation level to “mandatory”. • Changed installation level of chamber temperature setting of the commercial showcase class to “mandatory”. • Added “0x43: no lighting” to the value range of the “type of lighting inside the showcase property” and “type of lighting outside the showcase property” for the “commercial showcase class”. • Added notes 2 and 3 to “electric water heater class”. Added “participation in energy shift property”, “standard time to start heating 1 property”, “number of energy shifts property”, “daytime heating shift time 1 property”, “expected electric energy at daytime heating shift time 1 property”, “consumption of electric energy per hour 1 property”, “consumption of electric energy per hour 1 property”, “daytime heating

	<p>shift time 2 property”, “expected electric energy at daytime heating shift time 2 property”, and “consumption of electric energy per hour 2 property”.</p> <ul style="list-style-type: none"> • Added “place to install device to be controlled property”, “fault status of device to be controlled”, “address of installation location”, “Set property map for device to be controlled”, “Get property map for device to be controlled” to the “controller class”. • Changed “controlled device” to “device to be controlled” within the “controller class”. • Corrected clerical errors in the detailed descriptions of a table of the “transmission interval property” for the “parallel processing combination-type power control class”. • Published for consortium members only.
<p>Release I 2nd Draft</p>	<ul style="list-style-type: none"> • Added definitions for experimental use and undefined to “manufacturer code” for the “device object super class”. • Changed the “water heater status property” for the “electric water heater class” and announcement at status change of the “automatic water heating setting property” from optional to mandatory. • Changed name of the “operation mode property” for the “commercial showcase class” and “commercial showcase outdoor unit class” to the “operation mode setting property”. • Deleted a description of “0 when not charging” or “0 when not discharging” from the detailed descriptions of “(31) charging amount setting 1”, “(32) charging amount setting 2”, “(33) charging electric power setting”, “(34) discharging electric power setting”, “(35) charging current setting value”, and “(36) discharging current setting value” for the “electric vehicle charger/discharger class”. • Deleted specifications for conventional package-type commercial air conditioner (0x0145 and 0x0146), since specifications related to the package-type commercial air conditioner was newly established. • Added a description of “When the property value of the actual piece of equipment is higher than the upper limit of the property value range, 0xFFFFFFFF shall be used.” in the detailed descriptions of the “(7) Possible power savings for outdoor units” property for the “package-type commercial air conditioner (outdoor unit) (except those for facilities) class”. • Deleted a description of “When the property value of the actual piece of equipment is higher than the upper limit of the property value range, 0xFFFFFFFF shall be used.” from the detailed descriptions of the “(8) Settings restricting power consumption of outdoor units” property of the “package-type commercial air conditioner (outdoor unit) (except those for facilities) class”. • Changed description in the table for the “standard time to start heating 1” property, “daytime heating shift time 1” property, “expected electric energy at daytime heating shift time 1” property, “consumption of electric energy per hour 1” property, “daytime heating shift time 2” property, “expected electric energy at daytime

	<p>heating shift time 2” property, and “consumption of electric energy per hour 2” property for the “electric water heater class”.</p> <ul style="list-style-type: none"> • Corrected descriptions in notes 2 and 3 for the “electric water heater class”. • Clarified the detailed descriptions of “(39) Participation in energy shift” through “(47) Consumption of electric energy per hour 2” for the “electric water heater class” (no change in specifications). • Corrected the detailed descriptions of the detailed descriptions of the “(2) Coefficiency property” for the “high-voltage smart electric energy meter class” (no change in specifications). <p>[Followings are the corrections of clerical errors]</p> <ul style="list-style-type: none"> • Corrected a range of class group code of Chapter 1 (second line) to “0x00-0x05” through “0x00-0x06”. • Added “Ventilation function ON (outlet direction)=0x44” to the value range of the “ventilation function setting property” for the “home air conditioner class” (added to the value range appears in the table according to the detailed descriptions). • Corrected the value of the value range of the “measured value of room temperature property” for the “electric heater class”. • Corrected detailed descriptions of “(5) ON timer reservation setting” for the “fan heater class”. • Corrected numerical values in the detailed descriptions of “(10) measured stored heat temperature” for the “electric storage heater class” (from 0xFF37 to 0xFF38). • Corrected value range of “water flow meter classification” for the “water flow meter class”. Then, corrected property name of the “water flow classification” to “water flow meter classification”, to ensure consistency with the detailed descriptions. • Corrected value range of the “measured value of current consumption” property for the “refrigerator class”. • Corrected name of the “operation mode property” for the “commercial showcase class” and “commercial showcase outdoor unit class” to “operation mode setting”. • Added “0x43: no lighting” to the detailed descriptions of the “type of lighting inside the showcase property” and “type of lighting outside the showcase property” for the “commercial showcase class”. • Corrected the value for the “automatic setting” in the value range of the “washing time setting property” for the “washer and dryer class”. • Corrected the decimal value in the value range of the “index property” for the “controller class”. • Published for consortium members only.
Release I	<ul style="list-style-type: none"> • Corrected errata in revision record.
Release J Draft	<ul style="list-style-type: none"> • Corrected property name of the “rated power generation” property to the “rated power generation output”.

- Changed “rated power generation output” property, “power generation status” property, and “system interconnected type” property for the “fuel cell class” from optional to mandatory. Changed announcement at status change of the “power generation status” property from optional to mandatory.
- Partially added descriptions to the detailed description of the “system interconnected type” property of the “fuel cell class”.
- Added “power generation request time setting” property and “designated power generation status” property to the “fuel cell class”.
- Added “chargeable capacity of vehicle mounted battery” property, “remaining chargeable capacity of vehicle mounted battery” property, “vehicle ID” property, and “discharging amount setting” property to the “electric vehicle charger/discharger class”.
- Added property values to the “vehicle connection and chargeable/dischargeable status” property for the “electric vehicle charger/discharger class”.
- Added “*8” of note 2 of the “electric vehicle charger/discharger class”. Added some drawings for related properties and list of the properties related to a status of the electric vehicle charger/discharger itself.
- Added detailed descriptions of the “dischargeable capacity of vehicle mounted battery 1” property, “remaining dischargeable capacity of vehicle mounted battery 1” property, “remaining dischargeable capacity of vehicle mounted battery 3” property, “vehicle connection and chargeable/dischargeable status” property, “vehicle connection confirmation” property, “used capacity of vehicle mounted battery 1” property, “remaining stored electricity of vehicle mounted battery 1” property, “remaining stored electricity of vehicle mounted battery 3” property, “charging amount setting 1” property, and “charging amount setting 2” property to the “electric vehicle charger/discharger class”.
- Added “chargeable capacity of vehicle mounted battery” property, “remaining chargeable capacity of vehicle mounted battery” property, “vehicle ID” property, and “charging amount setting” property to the “electric vehicle charger class”.
- Added property values of the “vehicle connection and chargeable status” property for the “electric vehicle charger class”.
- Added “*5” of note 2 to the “electric vehicle charger class”. Added some drawings for related properties and list of the properties related to a status of the electric vehicle charger itself.
- Added detailed descriptions of the “vehicle connection and chargeable status” property, “vehicle connection confirmation” property, “used capacity of vehicle mounted battery 1” property, “remaining stored electricity of vehicle mounted battery 1” property, and “remaining stored electricity of vehicle mounted battery 3” property for the “electric vehicle charger class”.
- Newly added extended lighting system class.
- Added a description similar with the “extended lighting system class” to the

	<p>detailed descriptions for the “lighting system class”.</p> <ul style="list-style-type: none"> • Published for consortium members only.
Release J	<ul style="list-style-type: none"> • Corrected clerical errors in the detailed descriptions of the “SI value resetting” property in the property table and the detailed descriptions of the “collapse occurrence status resetting” property for the “earthquake sensor class”. • Corrected clerical errors (from “power consumption range for indoor units” to “power consumption range for indoor units”) in the detailed descriptions of the package-type commercial air conditioner (outdoor unit) (except those for facilities) class. • Corrected clerical errors in detailed descriptions of the “measured in-house cumulative power consumption” property for the “fuel cell class”. • Corrected clerical errors in “*3”, “*4”, “*5” under the property list for the “storage battery class”. • Clarified an operation when a setting value is entered to the detailed descriptions of the “charging amount setting 1” property, “charging amount setting 2” property, and “discharging amount setting” property for the “electric vehicle charger/discharger class”. • Clarified an operation when a setting value is entered to the detailed descriptions of “charging amount setting” for the “electric vehicle charger class”. • Added a description that the figure is provided for reference purpose only to the detailed descriptions of the “power consumption limit setting” property for the “extended lighting system class”. • Further clarified that the description at the end of the “extended lighting system class” is provided for reference purpose only.

The specifications published by the ECHONET Consortium are established without regard to industrial property rights (e.g, patent and utility model rights). In no event will the ECHONET Consortium be responsible for industrial property rights to the contents of its specifications.

In no event will the publisher of this specification be liable to you for any damages arising out of use of this specification.

The original language of The ECHONET Specification is Japanese. The English version of the Specification was translated the Japanese version. Queries in the English version should be referred to the Japanese version.

Chapter1 Outline of this document

This Appendix describes detailed property configurations of the device objects of class groups (class group codes 0x00 to 0x06) corresponding to device objects, and device object super classes.

Each class corresponding to device objects is inherited from properties of the device object super class. Accordingly, the device mounting each class shall mount a property specified by each class of this Appendix and a property of the device object super class. For the basic specifications for device objects, refer to “Part 2 ECHONET Communication Middleware Specifications” and “Part 2 ECHONET Lite Communication Middleware Specifications.” Properties specified as array elements (SetM, GetM) cannot be installed in an ECHONET Lite device.

It is not necessary for the actual device to implement all functions which correspond to codes listed in the “Value range” of “Contents of property,” but the actual device should implement only those codes to hold as its function. See also the requirements for the “communication definition objects,” which are used to specify the behaviors of equipment objects in relation to communication, specified in “Part 2 ECHONET Communication Middleware Specifications.” For example, when it is necessary to totally or partly disable the controls on the main unit side (remote control, etc.), the “local control limit setting” communication definition class is used. The “communication definition objects” is supported only ECHONET. (ECHONET Lite is non-support.)

This document also defines properties that are now difficult to install in all devices but recommended from the perspective of service for installation in devices as “Conditionally Required.”

Each of the conditionally required properties of each class is differentiated in the property table for the class from the other types of properties by one of the symbols shown in Table 1-1, which is given in the “Mandatory” column of the relevant row. Each of the symbols shown in Table 1-1 represents application services that can be achieved by implementing the property in question.

Table 1-1 “Conditionally Required Property” Symbols and Corresponding Application Services

Application services name	Examples of services	Symbol
Mobile services	<ul style="list-style-type: none"> • Remote monitoring of the operation statuses of devices intended for indoor use • Remote control and remote locking of devices intended for indoor use • Remote monitoring of visitors and day-to-day activities of senior citizens 	Ⓜ
Energy services	<ul style="list-style-type: none"> • Monitoring of electricity consumptions and electricity bills • Coordinated power-saving operation of air conditioners, exhaust fans, lighting apparatuses and window shades • Contract-based electricity demand control 	ⓔ
Home amenity services	<ul style="list-style-type: none"> • Centralized control of window shades, exhaust fans and lighting apparatuses • Scheduled operation of devices intended for indoor use (preheating, precooling) 	Ⓜ _a
Home health-care services	<ul style="list-style-type: none"> • Health management services (hospitals, health adviser companies) • Life care services for senior citizens • Monitoring and control of home medical care equipment 	Ⓜ _h
Security services	<ul style="list-style-type: none"> • Fire prevention (monitoring to detect fires, gas leaks and electricity leaks) • Disaster prevention (detection of water leaks, measures to respond to earthquakes, prevention of freezing) • Crime prevention (visitor control, prevention of trespassing) 	Ⓢ
Remote appliance maintenance services	<ul style="list-style-type: none"> • Remote maintenance of devices intended for indoor use and remote diagnosis of such devices to detect failures • Remote consulting for the operation of devices intended for indoor use 	Ⓡ

This version of Appendix introduces the concept of “manufacturer-specific codes,” so that manufacturer-specific functions can be covered. Manufacturer-specific code values can only be assigned in relation to the codes specified as manufacturer-specific codes in the “Contents of property” column. Manufacturer-specific codes are codes that are outside the scope of the ECHONET Specification. Manufacturer-specific code values shall be defined by individual manufacturers, and the addition and deletion of and alterations to manufacturer-specific code values shall be done by individual manufacturers at their discretion. Whether to publish the assigned manufacturer-specific code values shall be determined by individual manufacturers.

Chapter2 Device Object Super Class Requirements

The device object super class properties are properties that are inherited to and implemented in each device object class. The device object super class requirements are as described below.

It is mandatory to implement the “operation status” (EPC = 0x80) property in all device object classes as a “Get” access rule, that is, as a property that can be referenced by the other nodes.

Similarly, it is mandatory to implement the “Status change announcement property map” (EPC = 0x9D), “Fault status” (EPC = 0x88), “Set property map” (EPC = 0x9E) and “Get property map” (EPC = 0x9F) properties as “Get” access rules, that is, as properties that can be referenced.

The implementation of “SetM property map” and “GetM property map” is mandatory for ECHONET devices, but is not permitted for ECHONET Lite devices because it is not possible to implement array element properties in the case of ECHONET Lite devices.

Device object super class is defined using the 0x80 to 0x9F domain, which is the domain common to all classes. The domain common to all classes has been used to define “ON timer reservation setting” (0x90), “ON timer time setting” (0x91), “ON timer relative time setting” (0x92), “OFF timer reservation setting” (0x94), “OFF timer time setting” (0x95) and “OFF timer relative time setting” (0x96), although this is not a super class requirement. Explanations about the device objects in which these properties are implemented are provided in “Detailed Requirements for the Device Objects” in APPENDIX. Table 2-1 shows a list of the device object super class properties.

Table 2-1 List of Device Object Super Class Properties

Property name	E P C	Contents of property	Data size	Data size (Byte)	Access rule	Mandatory Note2	Announcement at status change	Remark
		Value range (decimal notation)						
Operation status	0x80	This property indicates the ON/OFF status.	unsigned char	1	Set		○	
		ON=0x30, OFF=0x31			Get	○		
Installation location	0x81	This property indicates the installation location	unsigned char	1 or 17	Set/Get	○ Note4	○	
		See “2.2 ‘Installation location’ property.”						
Standard version information	0x82	This property indicates the release number of the corresponding Appendix.	unsigned char × 4	4	Get	○		
		First byte: Fixed at 0x00 (reserved for future use). Second byte: Fixed at 0x00 (reserved for future use). Third byte: Indicates the order of release in the ASCII format. Fourth byte: Fixed at 0x00 (reserved for future use).						
		A number that allows each object to be uniquely identified.		9				

Identification number	0x83	<p>First byte: lower-layer communication ID field</p> <p>0x01 to 0xFD:</p> <p>This is a communication protocol used in the lower-layer communication and is set arbitrarily according to the protocol class in the case where unique number is assigned (not used in ECHONET Lite).</p> <p>0x11 to 0x1F: Power line Communication Protocol a and d systems</p> <p>0x31 to 0x3F: Low-Power Radio Communication Protocol</p> <p>0x41 to 0x4F: Extended HBS</p> <p>0x51 to 0x5F: IrDA</p> <p>0x61 to 0x6F: LonTalk</p> <p>0x71 to 0x7F: Bluetooth</p> <p>0x81 to 0x8F: Ethernet</p> <p>0x91 to 0x9F: IEEE802.11/11b</p> <p>0xA1: Power line Communication Protocol c systems</p> <p>0xB1: IPv6/Ethernet</p> <p>0xB2: IPv6/6LoWPAN</p> <p>0xFE: 2 to 17 bytes are defined by the manufacturer, and are set according to the type.</p> <p>0xFF: 2 to 9 bytes are defined when randomly generated protocol is used in the lower-layer communication.</p> <p>0x00: Identification number is not set.</p> <p>Second and succeeding bytes: unique number field</p>	unsigned char	or 17	Get			
Measured instantaneous power consumption	0x84	<p>This property indicates the instantaneous power consumption of the device in watts.</p>	unsigned short	2	Get			
		<p>0x0000 to 0xFFFFD (0 to 65533W)</p>						
Measured cumulative power consumption	0x85	<p>This property indicates the cumulative power consumption of the device in increments of 0.001kWh.</p>	unsigned long	4	Get			
		<p>0x00000000 to 0x3B9AC9FF (0 to 999,999.999kWh)</p>						
Manufacturer's fault code	0x86	<p>This property indicates the manufacturer-defined fault code.</p>	unsigned char × (Max)225	Max 225	Get			
		<p>First byte: Indicates the data size of the fault code field.</p> <p>Second to fourth bytes: Manufacturer code</p> <p>Fifth and succeeding bytes: Field for manufacturer-defined fault code</p>						
Current limit setting	0x87	<p>This property indicates the current limit setting (0 to 100%).</p>	unsigned char	1	Set/Get			
		<p>0x00 to 0x64 (=0 to 100%)</p>						

Fault status	0x88	This property indicates whether a fault (e.g. a sensor trouble) has occurred or not.	unsigned char	1	Get	○	○	
		Fault occurred=0x41, No fault has occurred=0x42						
Fault description	0x89	Describes the fault.	unsigned short	2	Get			
		See "2.5 'Fault Description' Property."						
Manufacturer code	0x8A	3-byte manufacturer code	unsigned char × 3	3	Get	○		
		(Defined by the ECHONET Consortium.)						
Business facility code	0x8B	3-byte business facility code	unsigned char × 3	3	Get			
		(Defined by each manufacturer.)						
Product code	0x8C	Identifies the product using ASCII code.	unsigned char × 12	12	Get			
		(Defined by each manufacturer.)						
Production number	0x8D	This property indicates the production number using ASCII code.	unsigned char × 12	12	Get			
		(Defined by each manufacturer.)						
Production date	0x8E	4-byte production date code	unsigned char × 4	4	Get			
		This property indicates the production date in the YYMD format (1 character = 1 byte). YY: Year (e.g. 1999=0x07CF) M: Month (e.g. December=0x0C) D: Day (e.g. 20th=0x14)						
Power-saving operation setting	0x8F	This property indicates whether the device is operating in power-saving mode.	unsigned char	1	Set/Get			
		Operating in power-saving mode =0x41 Operating in normal operation mode =0x42						
Remote control setting	0x93	This property indicates whether remote control is through a public network or not. (0x41, 0x42)	unsigned char	1	Set/Get			
		This property indicates whether the status of the communication line is normal or not. (0x61, 0x62) Not through a public network =0x41 Through a public network =0x42 Communication line is normal (operation through a public network is not possible) = 0x61 Communication line is normal (operation through a public network is possible) = 0x62 * The values (0x61, 0x62) above must not be overwritten by the device when receiving Set request.						
Current time setting	0x97	Current time (HH: MM format)	unsigned char × 2	2	Set/Get			
		0x00 to 0x17 : 0x00 to 0x3B (=0 to 23): (=0 to 59)						

Current date setting	0x98	Current date (YYYY: MM: DD format)	unsigned char × 4	4	Set/Get			
		1 to 0x270F : 1 to 0x0C : 1 to 0x1F (=1 to 9999) : (=1 to 12) : (=1 to 31)						
Power limit setting	0x99	This property indicates the power limit setting in watts.	unsigned short	2	Set/Get			
		0x0000 to 0xFFFF (0 to 65535W)						
Cumulative operating time	0x9A	This property indicates the cumulative number of days, hours, minutes or seconds for which the device has operated, using 1 byte for the unit and 4 bytes for the time.	unsigned char + unsigned long	1 + 4 bytes	Get			
		First byte: Indicates the unit. Second: 0x41; Minute: 0x42; Hour: 0x43; Day:0x44 Second to fifth bytes: Indicates the elapsed time in the unit specified by the first byte. 0x00000000 to 0xFFFFFFFF (0 to 4294967295)						
SetM property map	0x9B	See Annex 1.	unsigned char × (MAX17)	Max. 17	Get	○ Note3		
GetM property map	0x9C	See Annex 1	unsigned char × (MAX17)	Max. 17	Get	○ Note3		
Status change announcement property map	0x9D	See Annex 1.	unsigned char × (MAX17)	Max. 17	Get	○		
Set property map	0x9E	See Annex 1.	unsigned char × (MAX17)	Max. 17	Get	○		
Get property map	0x9F	See Annex 1.	unsigned char × (MAX17)	Max. 17	Get	○		

Note1: In the case of a transmission-only device as defined in ECHONET Lite, the implementation of the properties specified as mandatory properties in the table is not mandatory. In addition, announcement at status change for the “Operation status” property is not mandatory. For the handling of transmission-only devices, see Chapter 3 of “Part 5 ECHONET Lite System Design Guidelines.”

Note2: The ○ marks in the “Announcement at status change” column indicate that the processing is mandatory when the property is implemented.

Note3: GetM property map and SetM property map may not be implemented in ECHONET Lite devices.

Note4: The size of 17 bytes is optional. See the section of 2.2 “Installation location” property for more information.

2. 1 “Operation status” property

The “Operation status” property of the device object super class indicates whether the functions specific to each class are operating in the actual device (ON) or not (OFF). In the case of a node in which a device object class is implemented and the functions specific to that class start operating upon startup of the node, this property may be implemented with the value fixed at 0x30. (However, the operation status of the communications function of the node shall be indicated in the “Operation status” property of the node profile object.)

2. 2 “Installation location” property

The “Installation location” property indicates the location at which the device has been installed in the form of 1-byte bitmap information. This property is a rewritable mandatory property. When the value is changed, the new value must be broadcast throughout the domain.

The 8 bits of the “Installation location” property are assigned a free definition designation bit, an installation location code and a location number. In the case where all the bits are 0, a special code that indicates that the installation location has not been specified is used. In the case where all the bits are 1, a special code that indicates that the installation location is indefinite is used.

The information contained in each of the bits is as described below. Table 2-2 shows the relationships between the installation location type, free definition designation bit, installation location code and location number.

- Free definition designation bit (b7)

This is comprised of a single bit, b7. When b7 is 1, the installation location code and location number can be freely defined.

When b7 is 0, the installation location code and location number indicate the installation location of the device according to the rules specified in Table 2-2.

- Installation location code (b3 to b6)

This code is comprised of the 4 bits from b3 to b6. When b7 is 1, this code can be freely defined.

When b7 is 0, this code indicates the type of the installation location of the device according to the rules specified in Table 2-2.

- Location number (b0 to b2)

This number is comprised of the 3 bits from b0 to b2. When b7 is 1, this number can

be freely defined. When b7 is 0, this number is used to distinguish a space of a given type from another space of the same type. For example, when there are two lavatories, the lavatory on the first floor can be distinguished from the lavatory on the second floor by assigning 001b as the location number for the former and 010b as the location number for the latter.

When b7 is 0, the value 000b for the location number indicates that the “Installation location” property has been initialized on the assumption that the device will be installed at the installation location specified by the installation location code. This situation is herein expressed as the “location number not specified” situation.

In the case where the “Installation location” property has been initialized without making an assumption about the type of the installation location for the device, the setting must be set to 0x00 (the “installation location not specified” code). When it is inappropriate to specify a specific location type as the installation location type for the device, the “Installation location” property setting must be set to 0xFF (the “installation location indefinite” code).

When the installation location code 0x01 is set, the next 16 bytes indicate the latitude, longitude, and altitude of the location where the equipment is installed. The total number of bytes is 17. Of the 16 bytes, excluding the installation location code, if the higher-order 8 bytes are 0x00, 0x00, 0x1B, 0x00, 0x00, 0x00, 0x00, and 0x03, the lower-order 8 bytes shall follow the location information codes specified by the Geospatial Information Authority of Japan. The position information definition of the installation location code 0x01 is optional.

The values 0x02 to 0x07 are reserved for future use.

Table 2-2 Installation Location (Space) Types and the Bit Values Assigned to Them

Installation location type	MSB					LSB		
	Free definition designation bit	Installation location code					Location number	
	b7	b6	b5	b4	b3	b2	b1	b0
Living room	0	0	0	0	1	“000b”-“111b” (“000b” indicates that the location number has not been specified.)		
Dining room	0	0	0	1	0			
Kitchen	0	0	0	1	1			
Bathroom	0	0	1	0	0			
Lavatory	0	0	1	0	1			
Washroom/changing room	0	0	1	1	0			
Passageway	0	0	1	1	1			
Room	0	1	0	0	0			
Stairway	0	1	0	0	1			
Front door	0	1	0	1	0			
Storeroom	0	1	0	1	1			
Garden/perimeter	0	1	1	0	0			
Garage	0	1	1	0	1			

Veranda/balcony	0	1	1	1	0			
Others	0	1	1	1	1			
Free definition* ^{Note}	1	"0000000b"->"1111110b"						
Installation location not specified	0	0	0	0	0	0	0	0
Installation location indefinite	1	1	1	1	1	1	1	1
Position information	0	0	0	0	0	0	0	1
reserved for future use	"00000010b"->"00000111b"							

Note: "Free definition" means that the installation location code and location number can be freely defined for the use of the device in a store or medium- or small-sized building.

2. 3 "Standard version information" property

The "Standard version information" property indicates the release order of the APPENDIX as a one-byte ASCII code.

The first and second bytes are fixed at 0x00 in this version, reserved for future expansion. The third byte indicates the order of release.

And, in APPENDIX Release B, the first and second bytes shall be 0x00(0), the third byte 0x42(B), and the fourth byte 0x00(0).

2. 4 "Fault status" property

The "Fault status" property of the device object super class indicates whether a fault has occurred in the actual device. This property shall be set to 0x41 when there is a fault and 0x42 when there is no fault.

2. 5 "Fault description" property

The "Fault description" property shall be assigned fault description code values as specified in Table 2-3. A "recoverable fault" as defined in the table is a fault which is currently inhibiting the proper operation of the device or a function of the device but whose cause can be removed by a user action. A "fault that requires repair" as defined in the table is a fault which is currently inhibiting the proper operation of the device or a function of the device and whose cause cannot be removed without repair work by a specialist.

The lower-order byte of the fault description code shall indicate the general fault classification and the higher-order byte of the fault description code shall indicate the detailed fault classification. The detailed fault classification for recoverable faults will be determined in the future for each class. In the case where recoverable faults or faults that require repair are to be identified only with the general fault classification without using the detailed fault classification, the higher-order byte of the fault description code shall be set to 0x00.

- (1) Lower-order byte of the fault description code

The lower-order byte of the fault description code provides an overview of the fault in the form of general fault classification.

The value of the lower-order byte of the fault description code shall be 0x00 when no fault has occurred in the device.

The lower-order byte of the fault description code shall be set to a value between 0x01 and 0x09 when a recoverable fault (i.e. a fault that can be recovered from by a user action) occurs in the device, according to the value assignment rules described below. The general fault classification for recoverable faults is based on the type of user action required to recover from the fault. 0x01 indicates that a fault has occurred which can be recovered from by restarting the device by turning off the power and turning it on again. 0x02 indicates that a fault has occurred which can be recovered from by restarting the device by performing a reset operation. 0x03 indicates that a fault has occurred which can be recovered from by changing the way the device is mounted or opening/closing a lid or door. 0x04 indicates that a fault has occurred which can be recovered from by supplying fuel, water, air, etc. 0x05 indicates that a fault has occurred which can be recovered from by cleaning the device. 0x06 indicates that a fault has occurred which can be recovered from by changing the battery or cell. 0x09 can be freely defined by the user. 0x07 and 0x08 are reserved for future revisions to add other types of recoverable faults.

The lower-order byte of the fault description code shall be set to a value between 0x0A and 0x6E when a fault that requires repair occurs in the device, according to the value assignment rules described below. The general fault classification for faults that require repair is based on the location of the fault. 0x0A to 0x13 indicate that a safety device has tripped. 0x14 to 0x1D indicate that a fault has occurred in the user interface. 0x1E to 0x3B indicate that a fault has occurred in the sensor system. 0x3C to 0x59 indicate that a fault has occurred in an actuator etc. 0x5A to 0x6E indicate that a fault has occurred in a control circuit board.

(2) Higher-order byte of the fault description code

The higher-order byte of the fault description code provides detailed information on the fault in the form of detailed fault classification for each general fault classification category.

When the value of the lower-order byte of the fault description code is 0x00 (no fault), the value of the higher-order byte of the fault description code must be 0x00. 0x04 to 0xFF are reserved for future use.

When the value of the lower-order byte of the fault description code is a value between 0x01 and 0x06, the higher-order byte of the fault description code can take the value 0x00 or a value between 0x04 and 0xFF. The higher-order byte of the fault description code shall be set at 0x00 in the case where faults are to be identified only with the general fault classification without using the detailed fault classification. 0x04 to 0xFF are reserved for future class-specific detailed fault classification.

When the value of the lower-order byte of the fault description code is 0x07 or 0x08, the higher-order byte of the fault description code can take the value 0x00 or a value between 0x04 and 0xFF. All of these values are reserved for future use.

When the value of the lower-order byte of the fault description code is 0x09, the higher-order byte of the fault description code can take the value 0x00 or a value between 0x04 and 0xFF. All of these values can be freely defined by the user.

When the value of the lower-order byte of the fault description code is a value between 0x0A and 0x6E, the higher-order byte of the fault description code can take the value 0x00 or a value between 0x04 and 0xFF. The higher-order byte of the fault description code shall be set at 0x00 in the case where faults are to be identified only with the general fault classification without using the detailed fault classification. The values 0x04 to 0xFF can be freely defined by the user.

The values between 0x006F and 0x03E8, which are values for combinations of higher- and lower-order bytes of the fault description code, are values that can be freely defined by the user for faults that require repair.

The value 0x03FF, which is a value for combinations of higher- and lower-order bytes of the fault description code, indicates that a fault has occurred but the recovery method or fault location cannot be determined.

The values between 0x03E9 and 0x03FE, which are values for combinations of higher- and lower-order bytes of the fault description code, are reserved for future use.

Table 2-3 Fault Description Code Values

General fault classification		Fault description code (0x**%)	
		Fault description code Lower-order byte (%)	Fault description code Higher-order byte (**)
No fault		0x00	0x00: No fault 0x04-0xFF : reserved for future use
Recoverable faults	Faults that can be recovered from by turning off the power switch and turning it on again or withdrawing and re-inserting the power plug.	0x01	0x00: Faults are to be identified only with the general fault classification without using the detailed fault classification. 0x04-0xFF : reserved for future use
	Faults that can be recovered from by pressing the reset button.	0x02	
	Faults that can be recovered from by changing the way the device is mounted or opening/closing a lid or door.	0x03	

	Faults that can be recovered from by supplying fuel, water, air, etc.	0x04	
	Faults that can be recovered from by cleaning the device (filter etc.)	0x05	
	Faults that can be recovered from by changing the battery or cell.	0x06	
	reserved for future use	0x07-0x08	0x00, 0x04-0xFF
	User-definable domain	0x09	0x00, 0x04-0xFF
Faults that require repair	Abnormal event or the tripping of a safety device	0x0a-0x13	0x00: Faults are to be identified only with the general fault classification without using the detailed fault classification. 0x04-0xFF : user-definable
	Fault in a switch	0x14-0x1D	
	Fault in the sensor system	0x1E-0x3B	
	Fault in a component such as an actuator	0x3C-0x59	
	Fault in a control circuit board	0x5A-0x6E	
	User-definable domain	0x006F-0x03E8	
A fault has occurred but the recovery method or fault location cannot be determined.		0x03FF	
reserved for future use		0x03E9-0x03FE, 0x**6F-0x**FF (*: 04-FF)	

2. 6 “Manufacturer code” property

The “Manufacturer code” property identifies the manufacturer using a 3-byte code. Each ECHONET Consortium member is assigned a unique “Manufacturer code” property value by the Consortium.

Also, 0xFFFFFFFF shall be defined as for experimental use, while 0xFFFFFE is to be undefined. Note, however, that ECHONET / ECHONET Lite authorization may not be acquired using 0xFFFFFE or 0xFFFFFFFF as manufacturer codes.

2. 7 “Business facility code” property

The “Business facility code” property identifies the relevant business facility of the manufacturer using a 3-byte code. “Business facility code” property values are not defined by the ECHONET Consortium; they are defined by each manufacturer.

2. 8 “Product code” property

The “Product code” property identifies the relevant product of the manufacturer using a 12-byte ASCII code. “Product code” property values are not defined by the ECHONET Consortium; they are defined by each manufacturer. When the “Product code” property value is less than 12 bytes, the product code shall be left-justified in the data area and the remainder of the data area shall be padded with NULLs or spaces.

2. 9 “Production number” property

The “Production number” property indicates the production number of the relevant product of the manufacturer using a 12-byte ASCII code. “Production number” property values are not defined by the ECHONET Consortium; they are defined by each manufacturer. When the “Production number” property value is less than 12 bytes, the production number shall be left-justified in the data area and the remainder of the data area shall be padded with NULLs or spaces.

2. 10 “Production date” property

The “Production date” property indicates the production date of the relevant product of the manufacturer using a 4-byte code. Two of the 4 bytes are used to indicate the year of production. The remaining 2 bytes are used to indicate the month of production and the day of production, with one byte used for each.

2. 11 “Property map” property

The device object super class defines 3 “property maps,” which provide information on the services that can be provided by the individual properties published by objects.

Of these, “Set property map” and “Get property map” provide information as to what access rules the individual properties published by the implemented objects support in terms of individual product specifications.

“Status change announcement property map” indicates domain broadcast in ECHONET and general broadcast in ECHONET Lite in case of a property value change.

The formats of these maps are as shown in Annex 1. When there is no property to list in a map, the number of properties shall be set to “0” and the second and succeeding bytes shall be left blank.

The definitions of the individual property maps are as follows:

(1)Set property map

This is the property map that lists the properties which support the “Set” access rule. For array properties for which batch writing is to be permitted, the EPC values must be registered on the Set property map.

(2)Get property map

This is the property map that lists the properties which support the “Get” access rule. For array properties for which batch reading is to be permitted, the EPC values must be registered on the Get property map.

(3)SetM property map

This is the property map that lists the properties which support the “SetM” access rule. For array properties for which batch writing is to be permitted, the EPC values must be registered on the SetM property map. ECHONET Lite devices cannot implement the SetM property map because it is not possible to define array properties.

(4)GetM property map

This is the property map that lists the properties which support the “GetM” access rule. For array properties for which batch reading is to be permitted, the EPC values must be registered on the GetM property map. ECHONET Lite devices cannot implement the GetM property map because it is not possible to define array properties.

(5)Status change announcement property map

This is the property map that lists the properties that have been so set that an intra-domain broadcast is performed in ECHONET and that broadcast is performed in ECHONET Lite upon a property value change. These properties include those which are supported in individual product specifications and are specified to require domain broadcasting or general broadcasting in the “Announcement at status change” column in the ECHONET and ECHONET Lite Specifications, and as well as properties that support “announcement at status change” as part of the product specifications independent of the ECHONET and ECHONET Lite Specifications.

A property that is published in a property map as a property capable of supporting the access rule associated with the map must support that access rule. For properties that are not published in a property map as properties capable of supporting the access rule associated with the map, whether to support that access rule shall be device implementation-dependent.

2. 12 “Identification number” property

Definitions in ECHONET and ECHONET Lite are as follows:

•ECHONET definition

This property indicates a number that allows each node to be uniquely identified in the domain. The property indicates a lower-layer communication software ID field which stores IDs defined for each lower-layer communication software class and a unique number field that stores a unique identification number that is assigned to each product using a specified method for each lower-layer communication software program. The definition of this unique number is given in the specifications for lower-layer communication software programs in Part III.(However, Version3.00 and later versions of the ECHONET Specifications define this unique number for

IP/Bluetooth-dependent lower-layer communication software and
IP/Ethernet/IEEE802.3dependent lower-layer communication software.)

This unique number indicates the hardware address. If the hardware address is less than 8bytes, it shall be stored in the unique number field from the highest-order byte and the remaining bytes shall be padded with 0.

Each ECHONET node must have at least one device object, but the node identification number property value must be the same as the value of the node identification number property held by the device object.

•ECHONET Lite definition

This property indicates a number that allows each device object to be uniquely identified in the domain. As ECHONET Lite does not define lower-layer communication protocol classes, it only considers 0xFE, 0xFF, and 0x00 as protocol classes of lower-layer communication.

Manufacturer's specific code (0xFE) consists of a manufacturer code field to store the code of each manufacturer and a field defined by each manufacturer.

The first to third bytes indicate a 3-byte manufacturer code specified by the ECHONET Consortium.

Byte 4 and later stores the unique ID of each vendor. Each vendor shall ensure that the codes will not overlap.

Manufacturer code (3Byte)	Unique ID field (unique identification number specified by the manufacturer) (13Byte)
---------------------------------	---

2. 13 “Manufacturer’s fault code” property

This property identifies the faults that have occurred in the device using unique fault codes defined by the manufacturer.

The first byte indicates the data size of the fault code field.

The second to fourth bytes indicates the 3-byte manufacturer code assigned to the manufacturer in question by the ECHONET Consortium.

The fifth and succeeding bytes (i.e. the fault code field) contains the unique fault code defined by the manufacturer in question.

In the case where this property is implemented, the implementation of the “Fault description” property is mandatory.

Data size of the fault code field (1Byte)	Manufactur er code (3Byte)	Fault code field (unique fault code defined by the manufacturer) (Max221Byte)
---	----------------------------------	---

2. 14 “Current limit setting” property

The “Current limit setting” property contains the setting for the maximum consumable current (i.e. current limit setting). The value range for this property is from 0 to 100 (from 0x00 to 0x64), and the unit is %. The maximum consumable current at any given moment for the device associated with the object in question is the maximum current specified for that device times the rate specified by the value contained in this property at that moment. When the value of this property is 100, no current limit is imposed. In the case where it is not possible to limit the current consumption using the value specified by this property, the current consumption shall be limited using a value that is closest to and lower than the value specified by this property. A read value shall be one set in the equipment.

2. 15 “Power-saving operation setting” property

The “Power-saving operation setting” property contains the status as to whether the device associated with the object in question is operating in power-saving mode. When the value contained is 0x41, the device operates in power-saving mode. When the value contained is 0x42, the device operates in normal operation mode (non-power-saving mode).

2. 16 "Remote control setting" property

This property indicates by one byte whether remote control is through a public network or not, and whether the status of the communication line is normal or not. The value is 0x41 for control not through a public network and 0x42 for control through a public network. The value is 0x61 for a status where the communication line is normal (operation through a public network is not possible) and 0x62 for a status where the communication line is normal (operation through a public network is possible).

For control through a public network, several properties including this property are stored in one message and the message is sent as a control request. When the message is sent, this property shall always be attached to the first property (EDT=0x42: control through a public network).

A control request message refers to a property value write request (no response required), property value write request (response required), or a property value write & read request.

For example, when an air conditioner is set to cooling mode by operation control through a public network, this property shall be set to the first property and sent by a single control request message in order of the "Remote control setting" property and the

"Operation mode setting" property.

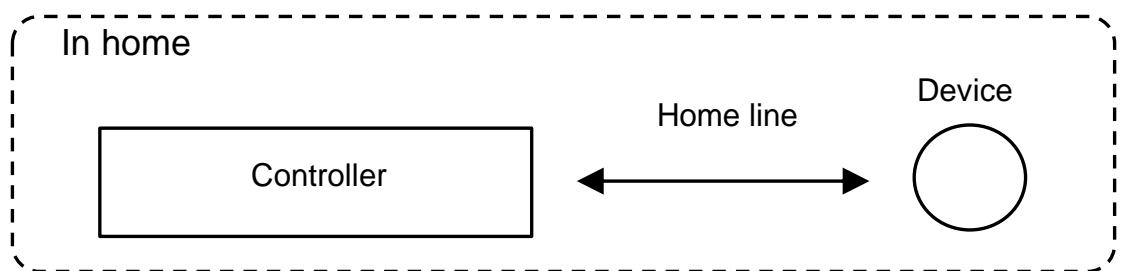
When a control request message is sent where the property value of this property is 0x42, the minimum value of the processing target property counter (OPC) shall be 2.

For control not through a public network, this property is not given but a control request message shall be sent. For example, when an air conditioner is set to cooling mode not through a public network, only the "Operation mode setting" property shall be sent as a control request message without this property.

When the property status is control through a public network (EDT=0x42) but there is control from a dedicated controller, direct control from the main unit, or control not through a public network, change the status to control not through a public network (EDT=0x41) on devices equipped with this property.

This property also may be used for comprehending on the device side whether the status of the communication line between the control server or the controller that controls the device and the device itself is normal or not. Controllers that do not have a device operation function through a public network need to comprehend the status of the home communication line between the controller and the device. (Configuration A)

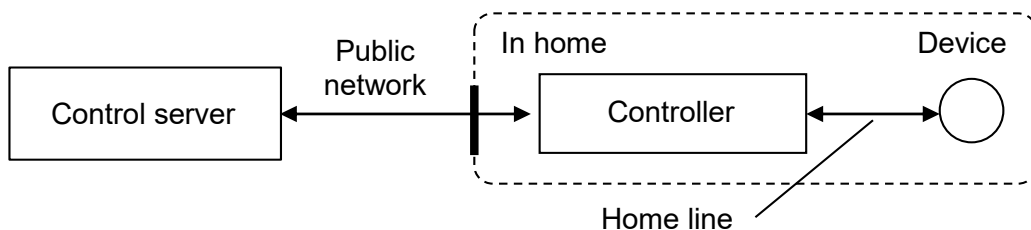
(Configuration A)



Controllers that do not have a device operation function through a public network need to comprehend the status of the home communication line between the controller and the device and the status of the public network between the controller and control server.

(Configuration B)

(Configuration B)



If making the device comprehend the status of communication line, the controller that

controls the device always should send a control request message for only this property (in other words, OPC=1) at fixed periods to the device that is being controlled. And the control request message including this property should be received by the device, so that it can comprehend that the line is normal. For the transmission cycle, approximately 2 hours is recommended. When an extremely short transmission cycle is set, there may be cases where other transmissions are blocked or where the burden on the device becomes large. If it is too long, on the other hand, there may be cases where the device is unable to accurately confirm interruption. In view of such conditions, it is necessary to set an appropriate value for the transmission cycle. For transmission, the property value 0x61 is used for Configuration A, and 0x62 is used for Configuration B. The controller in Configuration B should suspend transmission of the control request message while it is recognized that the public network is interrupted.

Based on the above, a device that receives a control request for this property is able to recognize whether the control is through a public network or not (0x41/42), or the status of the communication line (0x61/62).

In addition, the device can also recognize that the communication line is interrupted if receiving of a control request for this property where the property value is 0x61 or 0x62 has been interrupted for more than a certain period. Devices that receive a control request for this property must not update their own property values with the received values if the property value is 0x61 or 0x62.

If it is guaranteed that the device will not become unstable even in cases where the communication line has been interrupted, the device does not have to process the control request in cases where the property value of this property is 0x61 or 0x62 (cases of comprehension of the status of the communication line), but rather by simply sending a response to the transmission source.

Judgments as to whether the status of the communication line is normal or abnormal are dependent on implementation on the device side.

2. 17 “Cumulative operating time” property

The “Cumulative operating time” property indicates the cumulative operating time.

The first byte indicates the unit for the cumulative operating time. The values that can be used for the first byte are 0x41 (seconds), 0x42 (minutes), 0x43 (hours) and 0x44 (days).

The second to fifth bytes are treated as one piece of unsigned long data which indicates the cumulative operating time in the unit specified by the first byte. The value range for the cumulative operating time (second to fifth bytes) shall be from 0x00000000 to 0xFFFFFFFFE (from 0 to 4294967294). 0xFFFFFFFFF shall be used as the overflow code.

The operating states that are to be counted in when counting up the operating periods and the conditions for starting and stopping the counting shall be device-dependent and no requirement is specified for these.

2. 18 “Current time setting” property

This property indicates the current local time using a value between 0x00 and 0x17 (0 and 23) for the hour and a value between 0x00 and 0x3B (0 and 59) for the minute.

The first byte of the property value indicates the hour and the second byte indicates the minute.

2. 19 “Current date setting” property

This property indicates the current date using a value between 0x0001 and 0x270F (1 and 9999) for the year, a value between 0x01 and 0x0C (1 and 12) for the month and a value between 0x01 and 0x1F (1 and 31) for the day.

The first and second bytes are treated as one piece of unsigned short data which indicates the year (2 bytes). The third byte indicates the month (1 byte) and the fourth byte indicates the day (1 byte).

2. 20 “Measured instantaneous power consumption” property

This property indicates the instantaneous power consumption of device in watts. The value range for this property is from 0x0000 to 0xFFFFD. When the property value of the actual device is higher than the upper bound of the value range, 0xFFFF (overflow code) shall be used. When the property value of the actual device is lower than the lower bound of the value range, 0xFFFE (underflow code) shall be used.

2. 21 “Measured cumulative power consumption” property

This property indicates the cumulative power consumption of device in increments of 0.001kW. The value range for this property is from 0x00000000 to 0x3B9AC9FF (from 0 to 999,999.999kWh). When a measured cumulative power consumption overflow occurs, the counting shall restart from 0x00000000.

2. 22 “Power limit setting” property

This property contains the setting for the maximum consumable power (i.e. power limit setting). The value range for this property is from 0 to 65535 (from 0x0000 to 0xFFFF), and the unit is watt. In the case where it is not possible to limit the power consumption using the value specified by this property, the power consumption shall be limited using a value that is closest to and lower than the value specified by this property. A read value shall be one set in the equipment.

Chapter3 Detailed Requirements for Device Objects

3. 1 Sensor-related Device Class Group

This section specifies detailed codes and properties of each ECHONET object belonging to the sensor-related device class group (class group code X1 = 0x00). Table 3-1 shows a list of classes specified in detail in this section. “Mandatory” means that the device mounting each class must mount a combination of its property and service.

Table 3-1 List of Objects of Sensor-related Device Class Group (1/2)

Group code	Class code	Class name	Whether or not detailed requirements are provided	Remarks
0x00	0x00	Reserved for future use		
	0x01	Gas leak sensor	○	
	0x02	Crime prevention sensor	○	
	0x03	Emergency button	○	
	0x04	First-aid sensor	○	
	0x05	Earthquake sensor	○	
	0x06	Electric leak sensor	○	
	0x07	Human detection sensor	○	
	0x08	Visitor sensor	○	
	0x09	Call sensor	○	
	0x0A	Condensation sensor	○	
	0x0B	Air pollution sensor	○	
	0x0C	Oxygen sensor	○	
	0x0D	Illuminance sensor	○	
	0x0E	Sound sensor	○	
	0x0F	Mailing sensor	○	
	0x10	Weight sensor	○	
	0x11	Temperature sensor	○	
	0x12	Humidity sensor	○	
	0x13	Rain sensor	○	
	0x14	Water level sensor	○	
	0x15	Bath water level sensor	○	
	0x16	Bath heating status sensor	○	
	0x17	Water leak sensor	○	
0x18	Water overflow sensor	○		
0x19	Fire sensor	○		
0x1A	Cigarette smoke sensor	○		
0x1B	CO ₂ sensor	○		
0x1C	Gas sensor	○		

List of Objects of Sensor-related Device Class Group (2/2)

Group code	Class code	Class name	Whether or not detailed requirements are provided	Remarks
0x00	0x1D	VOC sensor	○	
	0x1E	Differential pressure sensor	○	
	0x1F	Air speed sensor	○	
	0x20	Odor sensor	○	
	0x21	Flame sensor	○	
	0x22	Electric energy sensor	○	
	0x23	Current value sensor	○	
	0x24	Daylight sensor		
	0x25	Water flow rate sensor	○	
	0x26	Micromotion sensor	○	
	0x27	Passage sensor	○	
	0x28	Bed presence sensor	○	
	0x29	Open/close sensor	○	
	0x2A	Activity amount sensor	○	
	0x2B	Human body location sensor	○	
	0x2C	Snow sensor	○	
	0x2D	Air pressure sensor	○	
	0x2E to 0xFF	Reserved for future use		

Note: ○ indicates a detail is explained including a property structure in APPENDIX.

3. 1. 1 Requirements for gas leak sensor class

Class group code : 0x00

Class code : 0x01

Instance code : 0x01–0x7F (0x00: All-instance specification code)

Property name	EPC	Contents of property	Data type	Data Size	Unit	Access rule	Mandatory	Announcement at status change	Remark
		Value range (decimal notation)							
Operation status	0x80	This property indicates the ON/OFF status.	unsigned char	1 byte	—	Set		○	
		ON=0x30, OFF=0x31				Get			
Detection threshold level	0xB0	Specifies detection threshold level in 8 steps.	unsigned char	1 byte	—	Set/ Get			
		0x31–0x38							
Gas leak occurrence status	0xB1	This property indicates gas leak occurrence status.	unsigned char	1 byte	—	Get	○	○	
		Gas leak occurrence status found = 0x41 Gas leak occurrence status not found = 0x42							
Gas leak occurrence status resetting	0xBF	Resets gas leak occurrence status by setting 0x00.	unsigned char	1 byte	—	Set			
		Reset = 0x00							

Note: In the “Announcement at status change” column, ○ denotes mandatory processing when the property is implemented.

(1) Operation status (inherited from the device object super class property)

This property indicates whether the function native to this class is operating or not (ON/OFF). In the node mounting this class, if the function of this class is started concurrently with the start of node operation, this property may be implemented at a fixed value of 0x30 (Operation status ON).

(2) Detection threshold level

Sets the threshold value that causes EPC = 0xB1 “Gas leak occurrence status” to be set to “Found” (8-step). The minimum value is 0x31 and the maximum value is 0x38. No concrete value is specified for each level. If the detection threshold of the actual device is higher or lower than the 8-step range, the property of the actual device shall be assigned to the property value of the 8 steps specified in this property.

(3) Gas leak occurrence status

This property indicates whether a gas leak occurrence status is found or not. When EPC = 0xB0 “Detection threshold level” is implemented, this property is set to “Gas leak occurrence status found” if the threshold set by the detection threshold level is

exceeded. When this property is set to “Gas leak occurrence status found” = 0x41, it shall be announced periodically. This property shall be set to “Gas leak occurrence status not found” = 0x42 by resetting the main body or by EPC = 0xBF “Gas leak occurrence status resetting”.

(4) Gas leak occurrence status resetting

Resets EPC = 0xB1 “Gas leak occurrence status” by setting 0x00.

3. 1. 2 Requirements for crime prevention sensor class

Class group code : 0x00

Class code : 0x02

Instance code : 0x01–0x7F (0x00: All-instance specification code)

Property name	EPC	Contents of property	Data type	Data size	Unit	Access rule	Mandatory	Announcement at status change	Remark
		Value range (decimal notation)							
Operation status	0x80	This property indicates the ON/OFF status.	unsigned char	1 byte	—	Set		○	
		ON=0x30, OFF=0x31				Get			
Detection threshold level	0xB0	Specifies detection threshold level (8-step).	unsigned char	1 byte	—	Set/Get			
		0x31–0x38							
Invasion occurrence status	0xB1	This property indicates invasion occurrence status.	unsigned char	1 byte	—	Get	○	○	
		Invasion occurrence status found = 0x41 Invasion occurrence status not found = 0x42							
Invasion occurrence status resetting	0xBF	Resets invasion occurrence status by setting 0x00.	unsigned char	1 byte	—	Set			
		Reset = 0x00							

Note: In the “Announcement at status change” column, ○ denotes mandatory processing when the property is implemented.

(1) Operation status (inherited from the device object super class property)

This property indicates whether the function native to this class is operating or not (ON/OFF). In the node mounting this class, if the function of this class is started concurrently with the start of node operation, this property may be implemented at a fixed value of 0x30 (Operation status ON).

(2) Detection threshold level

Sets the threshold value that causes EPC = 0xB1 “Invasion occurrence status” to be set to “Found” (8-step). The minimum value is 0x31 and the maximum value is 0x38. No concrete value is specified for each level. If the detection threshold of the actual device is higher or lower than the 8-step range, the property of the actual device shall be assigned to the property value of the 8 steps specified in this property.

(3) Invasion occurrence status

This property indicates whether an invasion occurrence status is found or not. When EPC = 0xB0 “Detection threshold level” is implemented, this property is set to “Invasion occurrence status found” = 0x41 if the threshold set by the detection

threshold level is exceeded. When this property is set to “Invasion occurrence status found” = 0x41, it shall be announced periodically. This property shall be set to “Invasion occurrence status not found” = 0x42 by resetting the main body or by EPC = 0xBF “Invasion occurrence status resetting”.

(4) Invasion occurrence status resetting

Resets EPC = 0xB1 “Invasion occurrence status” by setting 0x00.

3. 1. 3 Requirements for emergency button class

Class group code : 0x00

Class code : 0x03

Instance code : 0x01–0x7F (0x00: All-instance specification code)

Property name	EPC	Contents of property	Data type	Data size	Unit	Access rule	Man-datory	Announcement at status change	Remark
		Value range (decimal notation)							
Operation status	0x80	This property indicates the ON/OFF status.	unsigned char	1 byte	—	Set		○	
		ON=0x30, OFF=0x31				Get			
Emergency occurrence status	0xB1	This property indicates emergency occurrence status.	unsigned char	1 byte	—	Get		○	
		Emergency occurrence status found = 0x41 Emergency occurrence status not found = 0x42							
Emergency occurrence status resetting	0xBF	Resets emergency occurrence status by setting 0x00.	unsigned char	1 byte	—	Set			
		Reset = 0x00							

Note: In the “Announcement at status change” column, ○ denotes mandatory processing when the property is implemented.

(1) Operation status (inherited from the device object super class property)

This property indicates whether the function native to this class is operating or not (ON/OFF). In the node mounting this class, if the function of this class is started concurrently with the start of node operation, this property may be implemented at a fixed value of 0x30 (Operation status ON).

(2) Emergency occurrence status

This property indicates whether an emergency occurrence status caused by pressing the emergency button is found or not. When this property is set to “Emergency occurrence status found” = 0x41, the property shall be announced periodically. This property shall be set to “Emergency occurrence status not found” = 0x42 by resetting the main body or by EPC = 0xBF “Emergency occurrence status resetting”.

(3) Emergency occurrence status resetting

Resets EPC = 0xB1 “Emergency occurrence status” by setting 0x00.

3. 1. 4 Requirements for first-aid sensor class

Class group code : 0x00

Class code : 0x04

Instance code : 0x01–0x7F (0x00: All-instance specification code)

Property name	EPC	Contents of property	Data type	Data size	Unit	Access rule	Mandatory	Announcement at status change	Remark
		Value range (decimal notation)							
Operation status	0x80	This property indicates the ON/OFF status.	unsigned char	1 byte	—	Set		○	
		ON=0x30, OFF=0x31				Get	○		
Detection threshold level	0xB0	Specifies detection threshold level (8-step).	unsigned char	1 byte	—	Set/Get			
		0x31–0x38							
First-aid occurrence status	0xB1	This property indicates first-aid occurrence status.	unsigned char	1 byte	—	Get	○	○	
		First-aid occurrence status found = 0x41 First-aid occurrence status not found = 0x42							
First-aid occurrence status resetting	0xBF	Resets first-aid occurrence status by setting 0x00.	unsigned char	1 byte	—	Set			
		Reset = 0x00							

Note: In the “Announcement at status change” column, ○ denotes mandatory processing when the property is implemented.

(1) Operation status (inherited from the device object super class property)

This property indicates whether the function native to this class is operating or not (ON/OFF). In the node mounting this class, if the function of this class is started concurrently with the start of node operation, this property may be implemented at a fixed value of 0x30 (Operation status ON).

(2) Detection threshold level

Sets the threshold value that causes EPC = 0xB1 “First-aid occurrence status” to be set to “Found” (8-step). The minimum value is 0x31 and the maximum value is 0x38. No concrete value is specified for each level. If the detection threshold of the actual device is higher or lower than the 8-step range, the property of the actual device shall be assigned to the property value of the 8 steps specified in this property.

(3) First-aid occurrence status

This property indicates whether a first-aid occurrence status is found or not. When EPC = 0xB0 “Detection threshold level” is implemented, this property is set to

“First-aid occurrence status found” if the threshold set by the detection threshold level is exceeded.

When this property is set to “First-aid occurrence status found” = 0x41, the property shall be announced periodically. This property shall be set to “First-aid occurrence status not found” = 0x42 by resetting the main body or by EPC = 0xBF “First-aid occurrence status resetting”.

(4) First-aid occurrence status resetting

Resets EPC = 0xB1 “First-aid occurrence status” by setting 0x00.

3. 1. 5 Requirements for earthquake sensor class

Class group code : 0x00

Class code : 0x05

Instance code : 0x01–0x7F (0x00: All-instance specification code)

Property name	EPC	Contents of property	Data type	Data size	Unit	Access rule	Mandatory	Announcement at status change	Remark
		Value range (decimal notation)							
Operation status	0x80	This property indicates the ON/OFF status.	unsigned char	1 byte	—	Set		○	
		ON=0x30, OFF=0x31				Get			
Detection threshold level	0xB0	Specifies detection threshold level (8-step).	unsigned char	1 byte	—	Set/Get			
		0x31–0x38							
Earthquake occurrence status	0xB1	This property indicates earthquake occurrence status.	unsigned char	1 byte	—	Get	○	○	
		Earthquake occurrence status found = 0x41 Earthquake occurrence status not found = 0x42							
Earthquake occurrence status resetting	0xBF	Resets earthquake occurrence status by setting 0x00.	unsigned char	1 byte	—	Set			
		Reset = 0x00							
SI value	0xC0	This property indicates SI value in 0.1 kine.	unsigned short	2 byte	0.1 kine	Get		○	
		0x0000 - 0xFFFFD (0.0 kine - 6553.3 kine)							
SI value resetting	0xC1	Resets “SI value” by setting 0x00.	unsigned char	1 byte	—	Set			
		Reset = 0x00							
Collapse occurrence status	0xC2	This property indicates a status in which collapse has occurred.	unsigned char	1 byte	—	Get		○	
		Collapse occurred=0x41, No collapse has occurred=0x42							
Collapse occurrence status resetting	0xC3	Resets “collapse occurrence status” by setting 0x00.	unsigned char	1 byte	—	Set			
		Reset = 0x00							

Note: In the “Announcement at status change” column, ○ denotes mandatory processing when the property is implemented.

(1) Operation status (inherited from the device object super class property)

This property indicates whether the function native to this class is operating or not (ON/OFF). In the node mounting this class, if the function of this class is started concurrently with the start of node operation, this property may be implemented at a fixed value of 0x30 (Operation status ON).

(2) Detection threshold level

Sets the threshold value that causes EPC = 0xB1 “Earthquake occurrence status” to be set to “Found” (8-step). The minimum value is 0x31 and the maximum value is 0x38. No concrete value is specified for each level. If the detection threshold of the actual device is higher or lower than the 8-step range, the property of the actual device shall be assigned to the property value of the 8 steps specified in this property.

(3) Earthquake occurrence status

This property indicates whether an earthquake occurrence status is found or not. When EPC = 0xB0 “Detection threshold level” is implemented, this property is set to “Earthquake occurrence status found” if the threshold set by the detection threshold level is exceeded.

When this property is set to “Earthquake occurrence status found” = 0x41, the property shall be announced periodically. This property shall be set to “Earthquake occurrence status not found” = 0x42 by resetting the main body or by EPC = 0xBF “Earthquake occurrence status resetting”.

(4) Earthquake occurrence status resetting

Resets EPC = 0xB1 “Earthquake occurrence status” by setting 0x00.

(5) SI value

This property indicates SI value in 0.1 kine. The property value range shall be 0x0000 to 0xFFFFD (0.0 kine to 6553.3 kine). When the property value of the actual piece of equipment is higher than the upper limit of the property value range, the overflow code 0xFFFF shall be used. When the property value is lower than the lower limit of the property value range, the underflow code 0xFFFFE shall be used.

(6) SI value resetting

Resets EPC = 0xC0 “SI value” by setting 0x00.

(7) Collapse occurrence status

This property indicates whether a collapse occurrence status is found or not. When this property is set to “collapse occurred” = 0x41, it shall be announced periodically. This property shall be set to “no collapse occurred” = 0x42 by resetting the main body or by EPC = 0xC3 “Collapse occurrence status resetting”.

(8) Collapse occurrence status resetting

Resets EPC = 0xC2 “Collapse occurrence status” by setting 0x00.

3. 1. 6 Requirements for electric leak sensor class

Class group code : 0x00

Class code : 0x06

Instance code : 0x01–0x7F (0x00: All-instance specification code)

Property name	EPC	Contents of property	Data type	Data size	Unit	Access rule	Mandatory	Announcement at status change	Remark
		Value range (decimal notation)							
Operation status	0x80	This property indicates the ON/OFF status.	unsigned char	1 byte	—	Set		○	
		ON=0x30, OFF=0x31				Get	○		
Detection threshold level	0xB0	Specifies detection threshold level (8-step).	unsigned char	1 byte	—	Set/ Get			
		0x31–0x38							
Electric leak occurrence status	0xB1	This property indicates leak occurrence status.	unsigned char	1 byte	—	Get	○	○	
		Electric leak occurrence status found = 0x41 Electric leak occurrence status not found = 0x42							
Electric leak occurrence status resetting	0xBF	Resets electric leak occurrence status by setting 0x00.	unsigned char	1 byte	—	Set			
		Reset = 0x00							

Note: In the “Announcement at status change” column, ○ denotes mandatory processing when the property is implemented.

(1) Operation status (inherited from the device object super class property)

This property indicates whether the function native to this class is operating or not (ON/OFF). In the node mounting this class, if the function of this class is started concurrently with the start of node operation, this property may be implemented at a fixed value of 0x30 (Operation status ON).

(2) Detection threshold level

Sets the threshold value that causes EPC = 0xB1 “Electric leak occurrence status” to be set to “Found” (8-step). The minimum value is 0x31 and the maximum value is 0x38. No concrete value is specified for each level. If the detection threshold of the actual device is higher or lower than the 8-step range, the property of the actual device shall be assigned to the property value of the 8 steps specified in this property.

(3) Electric leak occurrence status

This property indicates whether an electric leak occurrence status is found or not. When EPC = 0xB0 “Detection threshold level” is implemented, this property is set

to “Electric leak occurrence status found” if the threshold set by the detection threshold level is exceeded. When this property is set to “Electric leak occurrence status found” = 0x41, the property shall be announced periodically. This property shall be set to “Electric leak occurrence status not found” = 0x42 by resetting the main body or by EPC = 0xBF “Electric leak occurrence status resetting”.

(4) Electric leak occurrence status resetting

Resets EPC = 0xB1 “Electric leak occurrence status” by setting 0x00.

3. 1. 7 Requirements for human detection sensor class

Class group code : 0x00

Class code : 0x07

Instance code : 0x01–0x7F (0x00: All-instance specification code)

Property name	EPC	Contents of property	Data type	Data size	Unit	Access rule	Mandatory	Announcement at status change	Remark
		Value range (decimal notation)							
Operation status	0x80	This property indicates the ON/OFF status	unsigned char	1 byte	–	Set		○	
		ON=0x30, OFF=0x31				Get	○		
Detection threshold level	0xB0	Specifies detection threshold level (8-step).	unsigned char	1 byte	–	Set/Get			
		0x31–0x38							
Human detection status	0xB1	This property indicates human detection status.	unsigned char	1 byte	–	Get	○	○	
		Human detection status found = 0x41 Human detection status not found = 0x42							

Note: In the “Announcement at status change” column, ○ denotes mandatory processing when the property is implemented.

(1) Operation status (inherited from the device object super class property)

This property indicates whether the function native to this class is operating or not (ON/OFF). In the node mounting this class, if the function of this class is started concurrently with the start of node operation, this property may be implemented at a fixed value of 0x30 (Operation status ON).

(2) Detection threshold level

Sets the threshold value that causes EPC = 0xB1 “Human detection status” to be set to “Found” (8-step). The minimum value is 0x31 and the maximum value is 0x38. No concrete value is specified for each level. If the detection threshold of the actual device is higher or lower than the 8-step range, the property of the actual device shall be assigned to the property value of the 8 steps specified in this property.

(3) Human detection status

This property indicates whether a human detection status is found or not. When EPC = 0xB0 “Detection threshold level” is implemented, this property is set to “Human detection status found” if the threshold set by the detection threshold level is exceeded, and is set to “Human detection status not found” if the detection threshold value is not reached.

3. 1. 8 Requirements for visitor sensor class

Class group code : 0x00

Class code : 0x08

Instance code : 0x01–0x7F (0x00: All-instance specification code)

Property name	EPC	Contents of property	Data type	Data size	Unit	Access rule	Mandatory	Announcement at status change	Remark
		Value range (decimal notation)							
Operation status	0x80	This property indicates the ON/OFF status.	unsigned char	1 byte	–	Set		○	
		ON=0x30, OFF=0x31				Get			
Detection threshold level	0xB0	Specifies detection threshold level (8-step).	unsigned char	1 byte	–	Set/Get			
		0x31–0x38							
Visitor detection status	0xB1	This property indicates visitor detection status.	unsigned char	1 byte	–	Get	○	○	
		Visitor detection status found = 0x41 Visitor detection status not found = 0x42							
Visitor detection holding time	0xBE	This property indicates visitor detection holding time in units of 10 seconds.	unsigned short	2 bytes	10 sec	Set/Get			
		0x0000–0xFFFFD (0 sec.–655,330 sec.)							

Note: In the “Announcement at status change” column, ○ denotes mandatory processing when the property is implemented.

(1) Operation status (inherited from the device object super class property)

This property indicates whether the function native to this class is operating or not (ON/OFF). In the node mounting this class, if the function of this class is started concurrently with the start of node operation, this property may be implemented at a fixed value of 0x30 (Operation status ON).

(2) Detection threshold level

Sets the threshold value that causes EPC = 0xB1 “Visitor detection status” to be set to “Found” (8-step). The minimum value is 0x31 and the maximum value is 0x38. No concrete value is specified for each level. If the detection threshold of the actual device is higher or lower than the 8-step range, the property of the actual device shall be assigned to the property value of the 8 steps specified in this property.

(3) Visitor detection status

This property indicates whether a visitor detection status is found or not. When EPC = 0xB0 “Detection threshold level” is implemented, this property is set to “Visitor

detection status found” if the threshold set by the detection threshold level is exceeded. When this property is set to “Visitor detection status found” = 0x41, the property shall be announced periodically.

(4) Visitor detection holding time

This property indicates the time from start of “Visitor detection status found” to return to “Visitor detection status not found” in units of 10 seconds. The property value range shall be 0x0000 to 0xFFFFD (0 sec. to 655,330 sec.). If the property value of the actual device exceeds the property value range, the overflow code 0xFFFF shall be used.

3. 1. 9 Requirements for call sensor class

Class group code : 0x00

Class code : 0x09

Instance code : 0x01–0x7F (0x00: All-instance specification code)

Property name	EPC	Contents of property	Data type	Data size	Unit	Access rule	Mandatory	Announcement at status change	Remark
		Value range (decimal notation)							
Operation status	0x80	This property indicates the ON/OFF status.	unsigned char	1 byte	–	Set		○	
		ON=0x30, OFF=0x31				Get			
Detection threshold level	0xB0	Specifies detection threshold level (8-step).	unsigned char	1 byte	–	Set/Get			
		0x31–0x38							
Call status	0xB1	This property indicates call status.	unsigned char	1 byte	–	Get	○	○	
		Call status found = 0x41 Call status not found = 0x42							
Call holding time	0xBE	This property indicates the call holding time in units of 10 seconds.	unsigned short	2 bytes	10 sec	Set/Get			
		0x0000–0xFFFFD (0 sec.–655,300 sec.)							

Note: In the “Announcement at status change” column, ○ denotes mandatory processing when the property is implemented.

(1) Operation status (inherited from the device object super class property)

This property indicates whether the function native to this class is operating or not (ON/OFF). In the node mounting this class, if the function of this class is started concurrently with the start of node operation, this property may be implemented at a fixed value of 0x30 (Operation status ON).

(2) Detection threshold level

Sets the threshold value that causes EPC = 0xB1 “Call status” to be set to “Found” (8-step). The minimum value is 0x31 and the maximum value is 0x38. No concrete value is specified for each level. If the detection threshold of the actual device is higher or lower than the 8-step range, the property of the actual device shall be assigned to the property value of the 8 steps specified in this property.

(3) Call status

This property indicates whether a call status is found or not. When EPC = 0xB0 “Detection threshold level” is implemented, this property is set to “Call status found” if the threshold set by the detection threshold level is exceeded. When this property is set to “Call status found” = 0x41, the property shall be announced periodically.

(4) Call holding time

This property indicates the time from start of “Call status found” to return to “Call status not found” in units of 10 seconds. The property value range shall be 0x0000 to 0xFFFFD (0 sec. to 655.330 sec.). If the property value of the actual device exceeds the property value range, the overflow code 0xFFFF shall be used.

3. 1. 10 Requirements for condensation sensor class

Class group code : 0x00

Class code : 0x0A

Instance code : 0x01–0x7F (0x00: All-instance specification code)

Property name	EPC	Contents of property	Data type	Data size	Unit	Access rule	Mandatory	Announcement at status change	Remark
		Value range (decimal notation)							
Operation status	0x80	This property indicates the ON/OFF status.	unsigned char	1 byte	–	Set		○	
		ON=0x30, OFF=0x31				Get			
Detection threshold level	0xB0	Specifies detection threshold level (8-step).	unsigned char	1 byte	–	Set/Get			
		0x31–0x38							
Condensation detection status	0xB1	This property indicates condensation detection status.	unsigned char	1 byte	–	Get	○	○	
		Condensation detection status found = 0x41 Condensation detection status not found = 0x42							

Note: In the “Announcement at status change” column, ○ denotes mandatory processing when the property is implemented.

(1) Operation status (inherited from the device object super class property)

This property indicates whether the function native to this class is operating or not (ON/OFF). In the node mounting this class, if the function of this class is started concurrently with the start of node operation, this property may be implemented at a fixed value of 0x30 (Operation status ON).

(2) Detection threshold level

Sets the threshold value that causes EPC = 0xB1 “Condensation detection status” to be set to “Found” (8-step). The minimum value is 0x31 and the maximum value is 0x38. No concrete value is specified for each level. If the detection threshold of the actual device is higher or lower than the 8-step range, the property of the actual device shall be assigned to the property value of the 8 steps specified in this property.

(3) Condensation detection status

This property indicates whether a condensation detection status is found or not. When EPC = 0xB0 “Detection threshold level” is implemented, this property is set to “Condensation detection status found” if the threshold set by the detection threshold level is exceeded, and is set to “Condensation detection status not found”

if the detection threshold value is not reached.

3. 1. 11 Requirements for air pollution sensor class

Class group code : 0x00

Class code : 0x0B

Instance code : 0x01–0x7F (0x00: All-instance specification code)

Property name	EPC	Contents of property	Data type	Data size	Unit	Access rule	Mandatory	Announcement at status change	Remark
		Value range (decimal notation)							
Operation status	0x80	This property indicates the ON/OFF status.	unsigned char	1 byte	–	Set		○	
		ON=0x30, OFF=0x31				Get			
Detection threshold level	0xB0	Specifies detection threshold level (8-step).	unsigned char	1 byte	–	Set/Get			
		0x31–0x38							
Air pollution detection status	0xB1	This property indicates air pollution detection status.	unsigned char	1 byte	–	Get	○	○	
		Air pollution detection status found = 0x41 Air pollution detection status not found = 0x42							

Note: In the “Announcement at status change” column, ○ denotes mandatory processing when the property is implemented.

(1) Operation status (inherited from the device object super class property)

This property indicates whether the function native to this class is operating or not (ON/OFF). In the node mounting this class, if the function of this class is started concurrently with the start of node operation, this property may be implemented at a fixed value of 0x30 (Operation status ON).

(2) Detection threshold level

Sets the threshold value that causes EPC = 0xB1 “Air pollution detection status” to be set to “Found” (8-step). The minimum value is 0x31 and the maximum value is 0x38. No concrete value is specified for each level. If the detection threshold of the actual device is higher or lower than the 8-step range, the property of the actual device shall be assigned to the property value of the 8 steps specified in this property.

(3) Air pollution detection status

This property indicates whether an air pollution detection status is found or not. When EPC = 0xB0 “Detection threshold level” is implemented, this property is set to “Air pollution detection status found” if the threshold set by the detection threshold level is exceeded, and is set to “Air pollution detection status not found” if

the detection threshold value is not reached.

3. 1. 12 Requirements for oxygen sensor class

Class group code : 0x00

Class code : 0x0C

Instance code : 0x01–0x7F (0x00: All-instance specification code)

Property name	EPC	Contents of property	Data type	Data size	Unit	Access rule	Mandatory	Announcement at status change	Remark
		Value range (decimal notation)							
Operation status	0x80	This property indicates the ON/OFF status.	unsigned short	1 byte	—	Set		○	
		ON=0x30, OFF=0x31				Get			
Measured value of oxygen concentration	0xE0	This property indicates measured value of oxygen concentration in units of 0.01%.	unsigned short	2 bytes	0.01%	Get	○		
		0x0000–0x2710 (0.00–100.00%)							

Note: In the “Announcement at status change” column, ○ denotes mandatory processing when the property is implemented.

(1) Operation status (inherited from the device object super class property)

This property indicates whether the function native to this class is operating or not (ON/OFF). In the node mounting this class, if the function of this class is started concurrently with the start of node operation, this property may be implemented at a fixed value of 0x30 (Operation status ON).

(2) Measured value of oxygen concentration

This property indicates the measured value of oxygen concentration in units of 0.01%. The property value range shall be 0x0000 to 0x2710 (0.00 to 100.00%). When the property value of the actual device exceeds this property value range, the overflow code 0xFFFF shall be used. When said value falls below the property value range, the underflow code 0xFFFE shall be used.

3. 1. 13 Requirements for illuminance sensor class

Class group code : 0x00

Class code : 0x0D

Instance code : 0x01–0x7F (0x00: All-instance specification code)

Property name	EPC	Contents of property	Data type	Data size	Unit	Access rule	Mandatory	Announcement at status change	Remark
		Value range (decimal notation)							
Operation status	0x80	This property indicates the ON/OFF status.	unsigned short	1 byte	—	Set		○	
		ON=0x30, OFF=0x31				Get			
Measured illuminance value 1	0xE0	This property indicates measured illuminance value in lux.	unsigned short	2 bytes	lux	Get	○		Note1
		0x0000–0xFFFD (0–65533 lux)							
Measured illuminance value 2	0xE1	This property indicates measured illuminance value in kilo lux.	unsigned short	2 bytes	klux	Get	○		Note1
		0x0000–0xFFFD (0–65533 klux)							

Note: In the “Announcement at status change” column, ○ denotes mandatory processing when the property is implemented.

Note1: Either “Measured illuminance value 1 EPC:0xE0” or “Measured illuminance value 2 EPC:0xE1” is mandatorily implemented.

(1) Operation status (inherited from the device object super class property)

This property indicates whether the function native to this class is operating or not (ON/OFF). In the node mounting this class, if the function of this class is started concurrently with the start of node operation, this property may be implemented at a fixed value of 0x30 (Operation status ON).

(2) Measured illuminance value 1

This property indicates the measured illuminance value in lux. The property value range shall be 0x0000 to FFFD (0 to 65533 lux). When the property value of the actual device exceeds this property value range, the overflow code 0xFFFF shall be used. When said value falls below the property value range, the underflow code 0xFFFE shall be used.

(3) Measured illuminance value 2

This property indicates the measured illuminance value in kilo lux. The property value range shall be 0x0000 to FFFD (0 to 65533 klux). When the property value of the actual device exceeds this property value range, the overflow code 0xFFFF shall be used. When said value falls below the property value range, the underflow code

0xFFFFE shall be used.

3. 1. 14 Requirements for sound sensor class

Class group code : 0x00

Class code : 0x0E

Instance code : 0x01–0x7F (0x00: All-instance specification code)

Property name	EPC	Contents of property	Data type	Data size	Unit	Access rule	Mandatory	Announcement at status change	Remark
		Value range (decimal notation)							
Operation status	0x80	This property indicates the ON/OFF status.	unsigned char	1 byte	–	Set		○	
		ON=0x30, OFF=0x31				Get			
Detection threshold level	0xB0	Specifies detection threshold level (8-step).	unsigned char	1 byte	–	Set/Get			
		0x31–0x38							
Sound detection status	0xB1	This property indicates sound detection status.	unsigned char	1 byte	–	Get	○	○	
		Sound detection status found = 0x41 Sound detection status not found = 0x42							
Sound detection holding time	0xBE	This property indicates sound detection holding time in units of 10 seconds.	unsigned short	2 bytes	10 sec	Set/Get			
		0x0000–0xFFFFD (0 sec.–655,330 sec.)							

Note: In the “Announcement at status change” column, ○ denotes mandatory processing when the property is implemented.

(1) Operation status (inherited from the device object super class property)

This property indicates whether the function native to this class is operating or not (ON/OFF). In the node mounting this class, if the function of this class is started concurrently with the start of node operation, this property may be implemented at a fixed value of 0x30 (Operation status ON).

(2) Detection threshold level

Sets the threshold value that causes EPC = 0xB1 “Sound detection status” to be set to “Found” (8-step). The minimum value is 0x31 and the maximum value is 0x38. No concrete value is specified for each level. If the detection threshold of the actual device is higher or lower than the 8-step range, the property of the actual device shall be assigned to the property value of the 8 steps specified in this property.

(3) Sound detection status

This property indicates whether a sound detection status is found or not. When EPC = 0xB0 “Detection threshold level” is implemented, this property is set to “Sound

detection status found” if the threshold set by the detection threshold level is exceeded.

(4) Sound detection holding time

This property indicates the time from start of “Sound detection status found” to return to “Sound detection status not found” in units of 10 seconds. The property value range shall be 0x0000 to 0xFFFFD (0 sec. to 655,330 sec.). If the property value of the actual device exceeds the property value range, the overflow code 0xFFFF shall be used.

3. 1. 15 Requirements for mailing sensor class

Class group code : 0x00

Class code : 0x0F

Instance code : 0x01–0x7F (0x00: All-instance specification code)

Property name	EPC	Contents of property	Data type	Data size	Unit	Access rule	Mandatory	Announcement at status change	Remark
		Value range (decimal notation)							
Operation status	0x80	This property indicates the ON/OFF status.	unsigned char	1 byte	–	Set		○	
		ON=0x30, OFF=0x31				Get			
Detection threshold level	0xB0	Specifies detection threshold level (8-step).	unsigned char	1 byte	–	Set/Get			
		0x31–0x38							
Mailing detection status	0xB1	This property indicates mailing detection status.	unsigned char	1 byte	–	Get	○	○	
		Mailing detection status found = 0x41 Mailing detection status not found = 0x42							

Note: In the “Announcement at status change” column, ○ denotes mandatory processing when the property is implemented.

(1) Operation status (inherited from the device object super class property)

This property indicates whether the function native to this class is operating or not (ON/OFF). In the node mounting this class, if the function of this class is started concurrently with the start of node operation, this property may be implemented at a fixed value of 0x30 (Operation status ON).

(2) Detection threshold level

Sets the threshold value that causes EPC = 0xB1 “Mailing detection status” to be set to “Found” (8-step). The minimum value is 0x31 and the maximum value is 0x38. No concrete value is specified for each level. If the detection threshold of the actual device is higher or lower than the 8-step range, the property of the actual device shall be assigned to the property value of the 8 steps specified in this property.

(3) Mailing detection status

This property indicates whether a mailing detection status is found or not. When EPC = 0xB0 “Detection threshold level” is implemented, this property is set to “Mailing detection status found” if the threshold set by the detection threshold level is exceeded, and is set to “Mailing detection status not found” if the detection threshold value is not reached.

3. 1. 16 Requirements for weight sensor class

Class group code : 0x00

Class code : 0x10

Instance code : 0x01–0x7F (0x00: All-instance specification code)

Property name	EPC	Contents of property	Data type	Data size	Unit	Access rule	Mandatory	Announcement at status change	Remark
		Value range (decimal notation)							
Operation status	0x80	This property indicates the ON/OFF status.	unsigned char	1 byte	–	Set		○	
		ON=0x30, OFF=0x31				Get			
Detection threshold level	0xB0	Specifies detection threshold level (8-step).	unsigned char	1 byte	–	Set/Get			
		0x31–0x38							
Weight detection status	0xB1	This property indicates weight detection status.	unsigned char	1 byte	–	Get	○	○	
		Weight detection status found = 0x41 Weight detection status not found = 0x42							

Note: In the “Announcement at status change” column, ○ denotes mandatory processing when the property is implemented.

(1) Operation status (inherited from the device object super class property)

This property indicates whether the function native to this class is operating or not (ON/OFF). In the node mounting this class, if the function of this class is started concurrently with the start of node operation, this property may be implemented at a fixed value of 0x30 (Operation status ON).

(2) Detection threshold level

Sets the threshold value that causes EPC = 0xB1 “Weight detection status” to be set to “Found” (8-step). The minimum value is 0x31 and the maximum value is 0x38. No concrete value is specified for each level. If the detection threshold of the actual device is higher or lower than the 8-step range, the property of the actual device shall be assigned to the property value of the 8 steps specified in this property.

(3) Weight detection status

This property indicates whether a weight detection status is found or not. When EPC = 0xB0 “Detection threshold level” is implemented, this property is set to “Weight detection status found” if the threshold set by the detection threshold level is exceeded, and is set to “Weight detection status not found” if the detection threshold value is not reached.

3. 1. 17 Requirements for temperature sensor class

Class group code : 0x00

Class code : 0x11

Instance code : 0x01–0x7F (0x00: All-instance specification code)

Property name	EPC	Contents of property	Data type	Data size	Unit	Access rule	Mandatory	Announcement at status change	Remark
		Value range (decimal notation)							
Operation status	0x80	This property indicates the ON/OFF status.	unsigned char	1 byte	—	Set		○	
		ON=0x30, OFF=0x31				Get			
Measured temperature value	0xE0	This property indicates the measured temperature value in units of 0.1°C.	signed short	2 bytes	0.1°C	Get	○		
		0xF554–0x7FFE (-273.2–3276.6°C)							

Note: In the “Announcement at status change” column, ○ denotes mandatory processing when the property is implemented.

(1) Operation status (inherited from the device object super class property)

This property indicates whether the function native to this class is operating or not (ON/OFF). In the node mounting this class, if the function of this class is started concurrently with the start of node operation, this property may be implemented at a fixed value of 0x30 (Operation status ON).

(2) Measured temperature value

This property indicates the measured temperature value in units of 0.1%. The property value range shall be 0xF554 to 0x7FFE (-273.2°C to 3276.6°C). When the property value of the actual device exceeds this property value range, the overflow code 0x7FFF shall be used. When said value falls below the property value range, the underflow code 0x8000 shall be used.

3. 1. 18 Requirements for humidity sensor class

Class group code : 0x00

Class code : 0x12

Instance code : 0x01–0x7F (0x00: All-instance specification code)

Property name	EPC	Contents of property	Data type	Data size	Unit	Access rule	Mandatory	Announcement at status change	Remark
		Value range (decimal notation)							
Operation status	0x80	This property indicates the ON/OFF status.	unsigned char	1 byte	–	Set		○	
		ON=0x30, OFF=0x31				Get			
Measured value of relative humidity	0xE0	This property indicates measured value of relative humidity in %.	unsigned char	1 byte	%	Get	○		
		0x00–0x64 (0–100%)							

Note: In the “Announcement at status change” column, ○ denotes mandatory processing when the property is implemented.

(1) Operation status (inherited from the device object super class property)

This property indicates whether the function native to this class is operating or not (ON/OFF). In the node mounting this class, if the function of this class is started concurrently with the start of node operation, this property may be implemented at a fixed value of 0x30 (Operation status ON).

(2) Measured value of relative humidity

This property indicates the measured value of relative humidity in %. The property value range shall be 0x00 to 0x64 (0 to 100%). When the property value of the actual device exceeds this property value range, the overflow code 0xFF shall be used. When said value falls below the property value range, the underflow code 0xFE shall be used.

3. 1. 19 Requirements for rain sensor class

Class group code : 0x00

Class code : 0x13

Instance code : 0x01–0x7F (0x00: All-instance specification code)

Property name	EPC	Contents of property	Data type	Data size	Unit	Access rule	Mandatory	Announcement at status change	Remark
		Value range (decimal notation)							
Operation status	0x80	This property indicates the ON/OFF status.	unsigned char	1 byte	–	Set		○	
		ON=0x30, OFF=0x31				Get			
Detection threshold level	0xB0	Specifies detection threshold level (8-step).	unsigned char	1 byte	–	Set/Get			
		0x31–0x38							
Rain detection status	0xB1	This property indicates rain detection status.	unsigned char	1 byte	–	Get	○	○	
		Rain detection status found = 0x41 Rain detection status not found = 0x42							

Note: In the “Announcement at status change” column, ○ denotes mandatory processing when the property is implemented.

(1) Operation status (inherited from the device object super class property)

This property indicates whether the function native to this class is operating or not (ON/OFF). In the node mounting this class, if the function of this class is started concurrently with the start of node operation, this property may be implemented at a fixed value of 0x30 (Operation status ON).

(2) Detection threshold level

Sets the threshold value that causes EPC = 0xB1 “Rain detection status” to be set to “Found” (8-step). The minimum value is 0x31 and the maximum value is 0x38. No concrete value is specified for each level. If the detection threshold of the actual device is higher or lower than the 8-step range, the property of the actual device shall be assigned to the property value of the 8 steps specified in this property.

(3) Rain detection status

This property indicates whether a rain detection status is found or not. When EPC = 0xB0 “Detection threshold level” is implemented, this property is set to “Rain detection status found” if the threshold set by the detection threshold level is exceeded, and is set to “Rain detection status not found” if the detection threshold value is not reached.

3. 1. 20 Requirements for water level sensor class

Class group code : 0x00

Class code : 0x14

Instance code : 0x01–0x7F (0x00: All-instance specification code)

Property name	EPC	Contents of property	Data type	Data size	Unit	Access rule	Mandatory	Announcement at status change	Remark
		Value range (decimal notation)							
Operation status	0x80	This property indicates the ON/OFF status.	unsigned char	1 byte	–	Set		○	
		ON=0x30, OFF=0x31				Get			
Water level over detection threshold level	0xB0	This property indicates the water level over detection threshold level in cm.	unsigned char	1 byte	cm	Get			
		0x00–0xFD (0–253)							
Water level over detection status	0xB1	This property indicates if the water level exceeds detected water level threshold level.	unsigned char	1 byte	–	Get		○	
		Water level over detection status found = 0x41 Water level over detection status not found = 0x42							
Measured value of water level	0xE0	This property indicates measured value of water level in cm.	unsigned char	1 byte	cm	Get	○		
		0x00–0xFD (0–253)							

Note: In the “Announcement at status change” column, ○ denotes mandatory processing when the property is implemented.

(1) Operation status (inherited from the device object super class property)

This property indicates whether the function native to this class is operating or not (ON/OFF). In the node mounting this class, if the function of this class is started concurrently with the start of node operation, this property may be implemented at a fixed value of 0x30 (Operation status ON).

(2) Water level over detection threshold level

Sets the water level threshold that causes EPC = 0xB1 to be set to “Water level over detection status” in cm.

(3) Water level over detection status

This property indicates whether a water level over detection status is found or not. When EPC = 0xB0 “Detected water level threshold level” is implemented, this property is set to “Water level over detection status found” if the threshold set by the detected water level threshold level is exceeded, and is set to “Water level over detection status not found” if the detection threshold value is not reached.

(4) Measured value of water level

This property indicates the measured value of water level in cm. The property value range shall be 0x00 to 0xFD (0 to 253 cm). When the property value of the actual device exceeds this property value range, the overflow code 0xFF shall be used. When said value falls below the property value range, the underflow code 0xFE shall be used.

3. 1. 21 Requirements for bath water level sensor class

Class group code : 0x00

Class code : 0x15

Instance code : 0x01–0x7F (0x00: All-instance specification code)

Property name	EPC	Contents of property	Data type	Data size	Unit	Access rule	Mandatory	Announcement at status change	Remark
		Value range (decimal notation)							
Operation status	0x80	This property indicates the ON/OFF status.	unsigned char	1 byte	–	Set		○	
		ON=0x30, OFF=0x31				Get			
Bath water level over detection threshold level	0xB0	This property indicates the bath water level over detection threshold level in cm.	unsigned char	1 byte	cm	Get			
		0x00–0xFD (0–253)							
Bath water level over detection status	0xB1	This property indicates if bath water level exceeds detection water level threshold level.	unsigned char	1 byte	–	Get		○	
		Water level over detection status found = 0x41 Water level over detection status not found = 0x42							
Measured value of bath water level	0xE0	This property indicates measured value of bath water level in cm.	unsigned char	1 byte	cm	Get	○		
		0x00–0xFD (0–253)							

Note: In the “Announcement at status change” column, ○ denotes mandatory processing when the property is implemented.

(1) Operation status (inherited from the device object super class property)

This property indicates whether the function native to this class is operating or not (ON/OFF). In the node mounting this class, if the function of this class is started concurrently with the start of node operation, this property may be implemented at a fixed value of 0x30 (Operation status ON).

(2) Bath water level over detection threshold level

Sets the water level threshold that causes EPC = 0xB1 to be set to “Bath water level over detection status” in cm.

(3) Bath water level over detection status

This property indicates whether a predetermined bath water level is exceeded or not. When the “Bath water level over detection threshold level” (EPC = 0xB0) is implemented, the status changes to “Water level over detection status found” when the threshold value set by the “Water level over detection threshold level” is exceeded. When the water level is lower than the threshold level, the status changes

to “Water level over detection status not found”.

(4) Measured value of bath water level

This property indicates the measured value of bath water level in cm. The property value range shall be 0x00 to 0xFD (0 to 253 cm). When the property value of the actual device exceeds this property value range, the overflow code 0xFF shall be used. When said value falls below the property value range, the underflow code 0xFE shall be used.

3. 1. 22 Requirements for bath heating status sensor class

Class group code : 0x00

Class code : 0x16

Instance code : 0x01–0x7F (0x00: All-instance specification code)

Property name	EPC	Contents of property	Data type	Data size	Unit	Access rule	Mandatory	Announcement at status change	Remark
		Value range (decimal notation)							
Operation status	0x80	This property indicates the ON/OFF status.	unsigned char	1 byte	–	Set		○	
		ON=0x30, OFF=0x31				Get			
Detection threshold level	0xB0	Specifies detection threshold level (8-step).	unsigned char	1 byte	–	Set/Get			
		Level 0x31 to 0x38							
Bath heating detection status	0xB1	This property indicates bath heating detection status.	unsigned char	1 byte	–	Get	○	○	
		Bath heating detection status found = 0x41 Bath heating detection status not found = 0x42							

Note: In the “Announcement at status change” column, ○ denotes mandatory processing when the property is implemented.

(1) Operation status (inherited from the device object super class property)

This property indicates whether the function native to this class is operating or not (ON/OFF). In the node mounting this class, if the function of this class is started concurrently with the start of node operation, this property may be implemented at a fixed value of 0x30 (Operation status ON).

(2) Detection threshold level

Sets the threshold value that causes EPC = 0xB1 “Bath heating detection status” to be set to “Found” (8-step). The minimum value is 0x31 and the maximum value is 0x38. No concrete value is specified for each level. If the detection threshold of the actual device is higher or lower than the 8-step range, the property of the actual device shall be assigned to the property value of the 8 steps specified in this property.

(3) Bath heating detection status

This property indicates whether a bath heating detection status is found or not. When EPC = 0xB0 “Detection threshold level” is implemented, this property is set to “Bath heating detection status found” if the threshold set by the detection threshold level is exceeded, and is set to “Bath heating detection status not found” if the

detection threshold value is not reached. When this property is set to “Bath heating detection status found” = 0x41, the property shall be announced periodically.

3. 1. 23 Requirements for water leak sensor class

Class group code : 0x00

Class code : 0x17

Instance code : 0x01–0x7F (0x00: All-instance specification code)

Property name	EPC	Contents of property	Data type	Data size	Unit	Access rule	Mandatory	Announcement at status change	Remark
		Value range (decimal notation)							
Operation status	0x80	This property indicates the ON/OFF status.	unsigned char	1 byte	–	Set		○	
		ON=0x30, OFF=0x31				Get			
Detection threshold level	0xB0	Specifies detection threshold level (8-step).	unsigned char	1 byte	–	Set/Get			
		0x31–0x38							
Water leak detection status	0xB1	This property indicates water leak detection status	unsigned char	1 byte	–	Get	○	○	
		Water leak detection status found = 0x41 Water leak detection status not found = 0x42							

Note: In the “Announcement at status change” column, ○ denotes mandatory processing when the property is implemented.

(1) Operation status (inherited from the device object super class property)

This property indicates whether the function native to this class is operating or not (ON/OFF). In the node mounting this class, if the function of this class is started concurrently with the start of node operation, this property may be implemented at a fixed value of 0x30 (Operation status ON).

(2) Detection threshold level

Sets the threshold value that causes EPC = 0xB1 “Water leak detection status” to be set to “Found” (8-step). The minimum value is 0x31 and the maximum value is 0x38. No concrete value is specified for each level. If the detection threshold of the actual device is higher or lower than the 8-step range, the property of the actual device shall be assigned to the property value of the 8 steps specified in this property.

(3) Water leak detection status

This property indicates whether a water leak detection status is found or not. When EPC = 0xB0 “Detection threshold level” is implemented, this property is set to “Water leak detection status found” if the threshold set by the detection threshold level is exceeded, and is set to “Water leak detection status not found” if the detection threshold value is not reached. When this property is set to “Water leak

detection status found" = 0x41, it shall be announced periodically.

3. 1. 24 Requirements for water overflow sensor class

Class group code : 0x00

Class code : 0x18

Instance code : 0x01–0x7F (0x00: All-instance specification code)

Property name	EPC	Contents of property	Data type	Data size	Unit	Access rule	Mandatory	Announcement at status change	Remark
		Value range (decimal notation)							
Operation status	0x80	This property indicates the ON/OFF status.	unsigned char	1 byte	–	Set		○	
		ON=0x30, OFF=0x31				Get			
Detection threshold level	0xB0	Specifies detection threshold level (8-step).	unsigned char	1 byte	–	Set/Get			
		0x31–0x38							
Water overflow detection status	0xB1	This property indicates water overflow status.	unsigned char	1 byte	–	Get	○	○	
		Water overflow detection status found = 0x41 Water overflow detection status not found = 0x42							

Note: In the “Announcement at status change” column, ○ denotes mandatory processing when the property is implemented.

(1) Operation status (inherited from the device object super class property)

This property indicates whether the function native to this class is operating or not (ON/OFF). In the node mounting this class, if the function of this class is started concurrently with the start of node operation, this property may be implemented at a fixed value of 0x30 (Operation status ON).

(2) Detection threshold level

Sets the threshold value that causes EPC = 0xB1 “Water overflow detection status” to be set to “Found” (8-step). The minimum value is 0x31 and the maximum value is 0x38. No concrete value is specified for each level. If the detection threshold of the actual device is higher or lower than the 8-step range, the property of the actual device shall be assigned to the property value of the 8 steps specified in this property.

(3) Water overflow detection status

This property indicates whether a water overflow detection status is found or not. When EPC = 0xB0 “Detection threshold level” is implemented, this property is set to “Water overflow detection status found” if the threshold set by the detection threshold level is exceeded, and is set to “Water overflow detection status not found”

if the detection threshold value is not reached. When this property is set to “Water overflow detection status found” = 0x41, the property shall be announced periodically.

3. 1. 25 Requirements for fire sensor class

Class group code : 0x00

Class code : 0x19

Instance code : 0x01–0x7F (0x00: All-instance specification code)

Property name	EPC	Contents of property	Data type	Data size	Unit	Access rule	Mandatory	Announcement at status change	Remark
		Value range (decimal notation)							
Operation status	0x80	This property indicates the ON/OFF status.	unsigned char	1 byte	—	Set		○	
		ON=0x30, OFF=0x31				Get			
Detection threshold level	0xB0	Specifies detection threshold level (8-step). Concrete status of each level is not specified.	unsigned char	1 byte	–	Set/Get			
		Level 0x31–0x38							
Fire occurrence detection status	0xB1	This property indicates fire occurrence detection status.	unsigned char	1 byte	–	Get	○	○	
		Fire occurrence detection status found = 0x41 Fire occurrence detection status not found = 0x42							
Fire occurrence detection status resetting	0xBF	Resets fire occurrence detection status by setting 0x00.	unsigned char	1 byte	–	Set			
		Reset = 0x00							

Note: In the “Announcement at status change” column, ○ denotes mandatory processing when the property is implemented.

(1) Operation status (inherited from the device object super class property)

This property indicates whether the function native to this class is operating or not (ON/OFF). In the node mounting this class, if the function of this class is started concurrently with the start of node operation, this property may be implemented at a fixed value of 0x30 (Operation status ON).

(2) Detection threshold level

Sets the threshold value that causes EPC = 0xB1 “Fire occurrence detection status” to be set to “Found” (8-step). The minimum value is 0x31 and the maximum value is 0x38. No concrete value is specified for each level. If the detection threshold of the actual device is higher or lower than the 8-step range, the property of the actual device shall be assigned to the property value of the 8 steps specified in this property.

(3) Fire occurrence detection status

This property indicates whether a fire occurrence status is found or not. When EPC

= 0xB0 “Detection threshold level” is implemented, this property is set to “Fire occurrence detection status found” = 0x41 if the threshold set by the detection threshold level is exceeded. This property shall be set to “Fire occurrence detection status not found” = 0x42 by resetting the main body or by EPC = 0xBF “Fire occurrence detection status resetting”.

(4) Fire occurrence detection status resetting

Resets EPC = 0xB1 “Fire occurrence detection status” by setting 0x00.

3. 1. 26 Requirements for cigarette smoke sensor class

Class group code : 0x00

Class code : 0x1A

Instance code : 0x01–0x7F (0x00: All-instance specification code)

Property name	EPC	Contents of property	Data type	Data size	Unit	Access rule	Mandatory	Announcement at status change	Remark
		Value range (decimal notation)							
Operation status	0x80	This property indicates the ON/OFF status.	unsigned char	1 byte	—	Set		○	
		ON=0x30, OFF=0x31				Get			
Detection threshold level	0xB0	Specifies detection threshold level (8-step). Concrete status of each level is not specified.	unsigned char	1 byte	-	Set/Get			
		Level 0x31–0x38							
Smoke (cigarette) detection status	0xB1	This property indicates smoke (cigarette) detection status.	unsigned char	1 byte	-	Get	○	○	
		Smoke (cigarette) detection status found = 0x41 Smoke (cigarette) detection status not found = 0x42							

Note: In the “Announcement at status change” column, ○ denotes mandatory processing when the property is implemented.

(1) Operation status (inherited from the device object super class property)

This property indicates whether the function native to this class is operating or not (ON/OFF). In the node mounting this class, if the function of this class is started concurrently with the start of node operation, this property may be implemented at a fixed value of 0x30 (Operation status ON).

(2) Detection threshold level

Sets the threshold value that causes EPC = 0xB1 “Smoke (cigarette) detection status” to be set to “Found” (8-step). The minimum value is 0x31 and the maximum value is 0x38. No concrete value is specified for each level. If the detection threshold of the actual device is higher or lower than the 8-step range, the property of the actual device shall be assigned to the property value of the 8 steps specified in this property.

(3) Smoke (cigarette) detection status

This property indicates whether a smoke (cigarette) detection status is found or not. When EPC = 0xB0 “Detection threshold level” is implemented, this property is set to “Smoke (cigarette) detection status found” if the threshold set by the detection threshold level is exceeded, and is set to “Smoke (cigarette) detection status not

found” if the detection threshold value is not reached.

3. 1. 27 Requirements for CO₂ sensor class

Class group code : 0x00

Class code : 0x1B

Instance code : 0x01–0x7F (0x00: All-instance specification code)

Property name	EPC	Contents of property	Data type	Data size	Unit	Access rule	Mandatory	Announcement at status change	Remark
		Value range (decimal notation)							
Operation status	0x80	This property indicates the ON/OFF status.	unsigned char	1 byte	—	Set		○	
		ON=0x30, OFF=0x31				Get			
Measured value of CO ₂ concentration	0xE0	This property indicates measured value of CO ₂ concentration in ppm.	unsigned short	2 bytes	ppm	Get	○		
		0x0000–0xFFFD (0–65533)							

Note: In the “Announcement at status change” column, ○ denotes mandatory processing when the property is implemented.

(1) Operation status (inherited from the device object super class property)

This property indicates whether the function native to this class is operating or not (ON/OFF). In the node mounting this class, if the function of this class is started concurrently with the start of node operation, this property may be implemented at a fixed value of 0x30 (Operation status ON).

(2) Measured value of CO₂ concentration

This property indicates the measured value of CO₂ concentration in ppm. The property value range shall be 0x0000 to 0xFFFD (0 to 65533 ppm). When the property value of the actual device exceeds this property value range, the overflow code 0xFFFF shall be used. When said value falls below the property value range, the underflow code 0xFFFE shall be used.

3. 1. 28 Requirements for gas sensor class

Class group code : 0x00

Class code : 0x1C

Instance code : 0x01–0x7F (0x00: All-instance specification code)

Property name	EPC	Contents of property	Data type	Data size	Unit	Access rule	Mandatory	Announcement at status change	Remark
		Value range (decimal notation)							
Operation status	0x80	This property indicates the ON/OFF status.	unsigned char	1 byte	—	Set		○	
		ON=0x30, OFF=0x31				Get			
Detection threshold level	0xB0	Specifies detection threshold level (8-step).	unsigned char	1 byte	-	Set/Get			
		0x31–0x38							
Gas detection status	0xB1	This property indicates gas detection status.	unsigned char	1 byte	-	Get		○	
		Gas detection status found = 0x41 Gas detection status not found = 0x42							
Measured value of gas concentration	0xE0	This property indicates measured value of gas concentration in ppm.	unsigned short	2 bytes	ppm	Get	○		
		0x0000–0xFFFFD (0–65533)							

Note: In the “Announcement at status change” column, ○ denotes mandatory processing when the property is implemented.

(1) Operation status (inherited from the device object super class property)

This property indicates whether the function native to this class is operating or not (ON/OFF). In the node mounting this class, if the function of this class is started concurrently with the start of node operation, this property may be implemented at a fixed value of 0x30 (Operation status ON).

(2) Detection threshold level

Sets the threshold value that causes EPC = 0xB1 “Gas detection status” to be set to “Found” (8-step). The minimum value is 0x31 and the maximum value is 0x38. No concrete value is specified for each level. If the detection threshold of the actual device is higher or lower than the 8-step range, the property of the actual device shall be assigned to the property value of the 8 steps specified in this property.

(3) Gas detection status

This property indicates whether a gas detection status is found or not. When EPC = 0xB0 “Detection threshold level” is implemented, this property is set to “Gas detection status found” if the threshold set by the detection threshold level is

exceeded, and is set to “Gas detection status not found” if the detection threshold value is not reached.

(4) Measured value of gas concentration

This property indicates the measured value of gas concentration units of in ppm. The property value range shall be from 0x0000 to 0xFFFFD (0 to 65533 ppm). When the property value of the actual device exceeds this property value range, the overflow code 0xFFFF shall be used. When said value falls below the property value range, the underflow code 0xFFFE shall be used.

3. 1. 29 Requirements for VOC sensor class

Class group code : 0x00

Class code : 0x1D

Instance code : 0x01–0x7F (0x00: All-instance specification code)

Property name	EPC	Contents of property	Data type	Data size	Unit	Access rule	Mandatory	Announcement at status change	Remark
		Value range (decimal notation)							
Operation status	0x80	This property indicates the ON/OFF status.	unsigned char	1 byte	—	Set		○	
		ON=0x30, OFF=0x31				Get			
Detection threshold level	0xB0	Specifies detection threshold level (8-step).	unsigned char	1 byte	–	Set/Get			
		0x31–0x38							
VOC detection status	0xB1	This property indicates VOC detection status.	unsigned char	1 byte	–	Get		○	
		VOC detection status found = 0x41 VOC detection status not found = 0x42							
Measured value of VOC concentration	0xE0	This property indicates measured value of VOC concentration in ppm.	unsigned short	2 bytes	ppm	Get	○		
		0x0000–0xFFFFD (0–65533)							

Note: In the “Announcement at status change” column, ○ denotes mandatory processing when the property is implemented.

(1) Operation status (inherited from the device object super class property)

This property indicates whether the function native to this class is operating or not (ON/OFF). In the node mounting this class, if the function of this class is started concurrently with the start of node operation, this property may be implemented at a fixed value of 0x30 (Operation status ON).

(2) Detection threshold level

Sets the threshold value that causes EPC = 0xB1 “VOC detection status” to be set to “Found” (8-step). The minimum value is 0x31 and the maximum value is 0x38. No concrete value is specified for each level. If the detection threshold of the actual device is higher or lower than the 8-step range, the property of the actual device shall be assigned to the property value of the 8 steps specified in this property.

(3) VOC detection status

This property indicates whether VOC detection status is found or not. When EPC = 0xB0 “Detection threshold level” is implemented, this property is set to “VOC detection status found” if the threshold set by the detection threshold level is

exceeded, and “VOC detection status not found” if the detection threshold value is not reached.

(4) Measured value of VOC concentration

This property indicates the measured value of VOC concentration units of in ppm. The property value range shall be from 0x0000 to 0xFFFFD (0 to 65533 ppm). When the property value of the actual device exceeds this property value range, the overflow code 0xFFFFF shall be used. When said value falls below the property value range, the underflow code 0xFFFFE shall be used.

3. 1. 30 Requirements for differential pressure sensor class

Class group code : 0x00

Class code : 0x1E

Instance code : 0x01–0x7F (0x00: All-instance specification code)

Property name	EPC	Contents of property	Data type	Data size	Unit	Access rule	Mandatory	Announcement at status change	Remark
		Value range (decimal notation)							
Operation status	0x80	This property indicates the ON/OFF status.	unsigned char	1 byte	—	Set		○	
		ON=0x30, OFF=0x31				Get	○		
Measured value of differential pressure	0xE0	This property indicates measured value of differential pressure in Pa.	signed short	2 bytes	Pa	Get	○		
		0x8001–0x7FFE (-32767–32766)							

Note: In the “Announcement at status change” column, ○ denotes mandatory processing when the property is implemented.

(1) Operation status (inherited from the device object super class property)

This property indicates whether the function native to this class is operating or not (ON/OFF). In the node mounting this class, if the function of this class is started concurrently with the start of node operation, this property may be implemented at a fixed value of 0x30 (Operation status ON).

(2) Measured value of differential pressure

This property indicates the measured value of differential pressure in units of Pa. The property value range shall be from 0x8001 to 0x7FFD (-32767 to 32766 Pa). When the property value of the actual device exceeds this property value range, the overflow code 0x7FFF shall be used. When said value is below the property value range, the underflow code 0x8000 shall be used.

3. 1. 31 Requirements for air speed sensor class

Class group code : 0x00

Class code : 0x1F

Instance code : 0x01–0x7F (0x00: All-instance specification code)

Property name	EPC	Contents of property	Data type	Data size	Unit	Access rule	Mandatory	Announcement at status change	Remark
		Value range (decimal notation)							
Operation status	0x80	This property indicates the ON/OFF status.	unsigned char	1 byte	—	Set		○	
		ON=0x30, OFF=0x31				Get	○		
Measured value of air speed	0xE0	This property indicates the measured value of air speed in units of 0.01 m/sec.	unsigned short	2 bytes	0.01 m/sec	Get	○		
		0x0000–0xFFFD (0–65533) (0–655.33 m/sec)							
Air flow direction	0xE1	This property indicates air flow direction in units of degrees.	unsigned short	2 bytes	degree	Get			
		0x0000-0x0168 (0-360°)							

Note: In the “Announcement at status change” column, ○ denotes mandatory processing when the property is implemented.

(1) Operation status (inherited from the device object super class property)

This property indicates whether the function native to this class is operating or not (ON/OFF). In the node mounting this class, if the function of this class is started concurrently with the start of node operation, this property may be implemented at a fixed value of 0x30 (Operation status ON).

(2) Measured value of air speed

This property indicates the measured value of air speed in units of 0.01 m/sec. The property value range shall be from 0x0000 to 0xFFFD (0 to 655.33 m/sec.). When the property value of the actual device exceeds this property value range, the overflow code 0xFFFF shall be used. When said value falls below the property value range, the underflow code 0xFFFE shall be used.

(3) Air flow direction

This property indicates the air flow direction in units of degrees. The measurement range of the direction shall be from 0x0000 to 0x0168 (0° to 360°). The north direction should be 0° (360°) as a rule.

3. 1. 32 Requirements for odor sensor class

Class group code : 0x00

Class code : 0x20

Instance code : 0x01–0x7F (0x00: All-instance specification code)

Property name	EPC	Contents of property	Data type	Data size	Unit	Access rule	Man-datory	Announcement at status change	Remark
		Value range (decimal notation)							
Operation status	0x80	This property indicates the ON/OFF status.	unsigned char	1 byte	—	Set		○	
		ON=0x30, OFF=0x31				Get			
Detection threshold level	0xB0	Specifies detection threshold level (8-step).	unsigned char	1 byte	–	Set/Get			
		Level 0x31–0x38							
Odor detection status	0xB1	This property indicates odor detection status.	unsigned char	1 byte	–	Get			
		Odor detection status found = 0x41 Odor detection status not found = 0x42							
Measured odor value	0xE0	This property indicates measured odor value. The unit is not specified.	unsigned char	1 byte	–	Get	○		
		0x00–0xFD (0–253)							

Note: In the “Announcement at status change” column, ○ denotes mandatory processing when the property is implemented.

(1) Operation status (inherited from the device object super class property)

This property indicates whether the function native to this class is operating or not (ON/OFF). In the node mounting this class, if the function of this class is started concurrently with the start of node operation, this property may be implemented at a fixed value of 0x30 (Operation status ON).

(2) Detection threshold level

Sets the threshold value that causes EPC = 0xB1 “Odor detection status” to be set to “Found” (8-step). The minimum value is 0x31 and the maximum value is 0x38. No concrete value is specified for each level. If the detection threshold of the actual device is higher or lower than the 8-step range, the property of the actual device shall be assigned to the property value of the 8 steps specified in this property.

(3) Odor detection status

This property indicates whether an odor detection status is found or not. When EPC = 0xB0 “Detection threshold level” is implemented, this property is set to “Odor detection status found” if the threshold set by the detection threshold level is

exceeded, and is set to “Odor detection status not found” if the detection threshold value is not reached.

(4) Measured odor value

This property indicates the measured odor value. The unit is not specified. The property value range shall be from 0x00 to 0xFD (0 to 253). When the property value of the actual device exceeds this property value range, the overflow code 0xFF shall be used. When said value falls below the property value range, the underflow code 0xFE shall be used.

3. 1. 33 Requirements for flame sensor class

Class group code : 0x00

Class code : 0x21

Instance code : 0x01–0x7F (0x00: All-instance specification code)

Property name	EPC	Contents of property	Data type	Data size	Unit	Access rule	Mandatory	Announcement at status change	Remark
		Value range (decimal notation)							
Operation status	0x80	This property indicates the ON/OFF status.	unsigned char	1 byte	—	Set		○	
		ON=0x30, OFF=0x31				Get			
Detection threshold level	0xB0	Specifies detection threshold level (8-step).	unsigned char	1 byte	–	Set/Get			
		Detection threshold level 0x31–0x38							
Flame detection status	0xB1	This property indicates flame detection status.	unsigned char	1 byte	–	Get	○	○	
		Flame detection status found = 0x41 Flame detection status not found = 0x42							
Flame detection status resetting	0xBF	Resets flame detection status by setting 0x00.	unsigned char	1 byte	–	Set			
		Reset = 0x00							

Note: In the “Announcement at status change” column, ○ denotes mandatory processing when the property is implemented.

(1) Operation status (inherited from the device object super class property)

This property indicates whether the function native to this class is operating or not (ON/OFF). In the node mounting this class, if the function of this class is started concurrently with the start of node operation, this property may be implemented at a fixed value of 0x30 (Operation status ON).

(2) Detection threshold level

Sets the threshold value that causes EPC = 0xB1 “Flame detection status” to be set to “Found” (8-step). The minimum value is 0x31 and the maximum value is 0x38. No concrete value is specified for each level. If the detection threshold of the actual device is higher or lower than the 8-step range, the property of the actual device shall be assigned to the property value of the 8 steps specified in this property.

(3) Flame detection status

This property indicates whether a flame detection status is found or not. When EPC = 0xB0 “Detection threshold level” is implemented, this property is set to “Flame

detection status found" = 0x41 if the threshold set by the detection threshold level is exceeded. This property shall be set to "Flame detection status not found" = 0x42 by resetting the main body or by EPC = 0xBF "Flame detection status resetting".

(4) Flame detection status resetting

Resets EPC = 0xB1 "Flame detection status" by setting 0x00.

3. 1. 34 Requirements for electric energy sensor class

Class group code : 0x00

Class code : 0x22

Instance code : 0x01–0x7F (0x00: All-instance specification code)

Property name	EPC	Contents of property	Data type	Data size	Unit	Access rule	Mandatory	Announcement at status change	Remark
		Value range (decimal notation)							
Operation status	0x80	This property indicates the ON/OFF status.	unsigned char	1 byte	—	Set		○	
		ON=0x30, OFF=0x31				Get			
Cumulative amounts of electric energy	0xE0	This property indicates cumulative amounts of electric energy in 0.001kWh.	unsigned long	4 bytes	0.001kWh	Get	○		
		0x00000000–0x3B9AC9FF (0–999,999.999 kWh)							
Medium-capacity sensor instantaneous electric energy	0xE1	This property indicates measured instantaneous electric energy in watts.	signed long	4 byte	W	Get			
		0xC4653601–0x3B9AC9FF (-999,999.999–999,999.999)							
Small-capacity sensor instantaneous electric energy	0xE2	This property indicates instantaneous electric energy in units of 0.1 W.	signed short	2 bytes	0.1 W	Get			
		0x8001–0x7FFE (-3276.7–3276.6)							
Large-capacity sensor instantaneous electric energy	0xE3	This property indicates instantaneous electric energy in units of 0.1 kW.	signed short	2 bytes	0.1 kW	Get			
		0x8001–0x7FFE (-3276.7–3276.6)							
Cumulative amounts of electric energy measurement log	0xE4	This property indicates measurement result log of cumulative amounts of electric energy (0.001kWh) for the past 24 hours in 30-minute sections.	unsigned long × 48	192 bytes	0.001kWh	Get			
		0x00000000–0x3B9AC9F (0–999,999.999) (0–999,999.999 kWh)							
Effective voltage value	0xE5	This property indicates effective voltage value in volts.	unsigned short	2 bytes	V	Get			
		0x0000–0xFFFD (0–65533V)							

Note: In the “Announcement at status change” column, ○ denotes mandatory processing when the property is implemented.

(1) Operation status (inherited from the device object super class property)

This property indicates whether the function native to this class is operating or not (ON/OFF). In the node mounting this class, if the function of this class is started concurrently with the start of node operation, this property may be implemented at a fixed value of 0x30 (Operation status ON).

(2) Cumulative amounts of electric energy

This property indicates the cumulative amounts of electric energy in 0.001kWh. The property value range shall be from 0x00000000 to 0x3B9AC9FF (0 to 999,999.999 kWh). When the cumulative amounts of electric energy overflows, this value shall be incremented from 0x00000000.

(3) Small-capacity sensor instantaneous electric energy

This property indicates the measured value of small-capacity sensor instantaneous electric energy in units of 0.1 W. The property value range shall be from 0x8001 to 0x7FFE (-3276.7 to 3276.6 W). When the property value of the actual device exceeds this property value range, the overflow code 0x7FFF shall be used. When said value falls below the property value range, the underflow code 0x8000 shall be used.

(4) Medium-capacity sensor instantaneous electric energy

This property indicates the measured instantaneous electric energy of the medium-capacity sensor in watts. The value range of the property shall be from 0xC4653601 to 0x3B9AC9FF (-999,999.999 to 999,999.999W). If the property value of the actual device is above or below the value range, 0x7FFFFFFF (overflow code) or 0x80000000 (underflow code) shall be used, respectively.

(5) Large-capacity sensor instantaneous electric energy

This property indicates the measured value of large-capacity sensor instantaneous electric energy in units of 0.1 kW. The property value range shall be from 0x8001 to 0x7FFE (-3276.7 to 3276.6 kW). When the property value of the actual device exceeds this property value range, the overflow code 0x7FFF shall be used. When said value falls below the property value range, the underflow code 0x8000 shall be used.

(6) Cumulative amounts of electric energy measurement log

This property indicates the cumulative amounts of electric energy (0.001kWh) measurement result log for the past 24 hours in 30-minute sections. The measured value in 0.001kWh at each 0 minute and 30 minutes based on the time set in the property name "Current time setting" (EPC = 0x97) shall be indicated in the range from 0x00000000 to 0x3B9AC9FF (0 to 999,999.999 kWh). The property value shall begin with the high-order byte in time series.

(7) Effective voltage value

This property indicates the measured value of effective voltage of the electric energy sensor in volts. This property may be implemented as a fixed value of the rated

voltage of measurement.

3. 1. 35 Requirements for current value sensor class

Class group code : 0x00

Class code : 0x23

Instance code : 0x01–0x7F (0x00: All-instance specification code)

Property name	EPC	Contents of property	Data type	Data size	Unit	Access rule	Mandatory	Announcement at status change	Remark
		Value range (decimal notation)							
Operation status	0x80	This property indicates the ON/OFF status.	unsigned char	1 byte	—	Set		○	
		ON=0x30, OFF=0x31				Get			
Measured current value 1	0xE0	This property indicates measured current value in mA.	unsigned long	4 bytes	mA	Get	○		Note1
		0x00000000–0xFFFFFFFF (0–4,294,967,293mA)							
Rated voltage to be measured	0xE1	Rated voltage value to be measured by current sensor	unsigned short	2 bytes	V	Get			
		0x0000–0xFFFF (0–65533V)							
Measured current value 2	0xE2	This property indicates measured current value in mA.	unsigned long	4 bytes	mA	Get	○		Note1
		0x80000001–0x7FFFFFFE (-2,147,483,647–2,147,483,646mA)							

Note: In the “Announcement at status change” column, ○ denotes mandatory processing when the property is implemented.

Note1: Either “Measured current value 1 EPC:0xE0” or “Measured current value 2 EPC:0xE2” is mandatory.

(1) Operation status (inherited from the device object super class property)

This property indicates whether the function native to this class is operating or not (ON/OFF). In the node mounting this class, if the function of this class is started concurrently with the start of node operation, this property may be implemented at a fixed value of 0x30 (Operation status ON).

(2) Measured current value 1

This property indicates the measured current value in mA. When an alternating current is measured, its effective value shall be indicated. The property value range shall be from 0x00000000 to 0xFFFFFFFF (0 to 4,294,967,293 mA). When the property value of the actual device exceeds this property value range, the overflow code 0xFFFFFFFF shall be used. When said value is below the property value range, the underflow code 0xFFFFFFFEE shall be used.

(3) Rated voltage to be measured

This property indicates the rated voltage value to be measured by the current sensor in V. This property may be implemented as a fixed value.

(4) Measured current value 2

This property indicates the measured current value in mA. When an alternating current is measured, its effective value shall be indicated. The property value range shall be from 0x80000001 to 0x7FFFFFFE (-2,147,483,647 to 2,147,483,646mA). When the property value of the actual device exceeds this property value range, the overflow code 0x7FFFFFFF shall be used. When said value is below the property value range, the underflow code 0x80000000 shall be used. The current direction from the source to the equipment shall be positive

3. 1. 36 Requirements for water flow rate sensor class

This class is provided for a water tap or the like and is stipulated for the purpose of measuring the amount of water used.

Class group code : 0x00

Class code : 0x25

Instance code : 0x01–0x7F (0x00: All-instance specification code)

Property name	EPC	Contents of property	Data type	Data size	Unit	Access rule	Mandatory	Announcement at status change	Remark
		Value range (decimal notation)							
Operation status	0x80	This property indicates the ON/OFF status.	unsigned char	1 byte	—	Set		○	
		ON=0x30, OFF=0x31				Get	○		
Cumulative flow rate	0xE0	This property indicates measured cumulative flow in cm ³ .	unsigned long	4 bytes	cm ³	Get			
		0x00000000–0x3B9AC9FF (0–999,999,999)							
Flow rate	0xE2	This property indicates measured instantaneous flow rate in cm ³ /min.	unsigned long	4 bytes	cm ³ /min	Get	○		
		0x0000–0x3B9AC9FF (0–999,999,999)							

Note: In the “Announcement at status change” column, ○ denotes mandatory processing when the property is implemented.

(1) Operation status (inherited from the device object super class property)

This property indicates whether the function native to this class is operating or not (ON/OFF). In the node mounting this class, if the function of this class is started concurrently with the start of node operation, this property may be implemented at a fixed value of 0x30 (operation status ON).

(2) Cumulative flow rate

This property indicates the cumulative value of the flow rate in units of cm³. The property value range shall be from 0x00000000 to 0x3B9AC9FF (0 to 999,999,999 cm³). If the measured cumulative flow of the actual device exceeds this property value range, the overflow code 0xFFFFFFFF shall be set.

(3) Flow rate

This property indicates the flow rate in units of cm³/min. The property value range shall be from 0x00000000 to 0x3B9AC9FF (0 to 999,999,999 cm³/min). If the measured value of flow rate of the actual device exceeds this property value range, the overflow code 0xFFFFFFFF shall be set.

3. 1. 37 Requirements for micromotion sensor class

Class group code : 0x00

Class code : 0x26

Instance code : 0x01–0x7F (0x00: All-instance specification code)

Property name	EPC	Contents of property	Data type	Data size	Unit	Access rule	Mandatory	Announcement at status change	Remark
		Value range (decimal notation)							
Operation status	0x80	This property indicates the ON/OFF status.	unsigned char	1 byte	—	Set		○	
		ON=0x30, OFF=0x31				Get			
Detection threshold level	0xB0	Specifies detection threshold level (8-step).	unsigned char	1 byte	–	Set/Get			
		0x31–0x38							
Micromotion detection status	0xB1	This property indicates whether micromotion is detected or not.	unsigned char	1 byte	–	Get	○	○	
		Micromotion detected = 0x41 Micromotion not detected = 0x42							
Detection counter	0xB2	This property indicates micromotion detection count.	unsigned short	2 bytes	–	Set/Get			
		0x0000–0xFFFFE (0–65534)							
Sampling count	0xBC	This property indicates micromotion detection sampling count.	unsigned short	2 bytes	–	Set/Get			
		0x0000–0xFFFFE (0–65534)							
Sampling cycle	0xBD	This property indicates micromotion detection sampling cycle.	unsigned short	2 bytes	msec	Set/Get			
		0x0000–0xFFFFE (0–65534)							

Note: In the “Announcement at status change” column, ○ denotes mandatory processing when the property is implemented.

(1) Operation status (inherited from the device object super class property)

This property indicates whether the function native to this class is operating or not (ON/OFF). In the node mounting this class, if the function of this class is started concurrently with the start of node operation, this property may be implemented at a fixed value of 0x30 (Operation status ON).

(2) Detection threshold level

Sets 8 levels of threshold values at which the “Micromotion detection status” property (EPC = 0xB1) changes to “Micromotion detected”. The minimum value is 0x31 and the maximum value is 0x38. No concrete value is specified for each level. If the detection threshold of the actual device is higher or lower than the 8-step range, the property of the actual device shall be assigned to the property value of the 8 steps specified in this property.

(3) Micromotion detection status

This property indicates whether a micromotion is detected or not. When the “Detection threshold level” (EPC = 0xB0) is implemented and the threshold value set by the detection threshold level is exceeded, the status shall change to “Micromotion detected”. On the other hand, if the threshold value is not reached, the status shall change to “Micromotion not detected”. When the “Sampling count” (EPC = 0xBC) and “Sampling cycle” (EPC = 0xBD) are implemented, the micromotion detection port and other relevant status shall be checked at time intervals specified by the sampling cycle. When the same micromotion detection state persists during the sampling period specified by the “sampling count” setting (EPC = 0xBD), the status shall change to that state.

(4) Detection counter

This property indicates the number of micromotion detections. Here, the term “micromotion detection” represents the above-mentioned property and does not indicate the number of conclusive detections.

The count shall range from 0x0000 to 0xFFFFE (0 to 65534). If the count limit is exceeded, the overflow code 0xFFFF shall be used. The timing for clearing the counter depends on the application and is not stipulated here.

(5) Sampling count

This property indicates the sampling count for concluding that a micromotion is detected. When this property is implemented, the “Sampling cycle” (EPC = 0xBD) shall be implemented as well. The sampling count shall range from 0x0000 to 0xFFFFE (0 to 65534).

(6) Sampling cycle

This property indicates the sampling cycle for the micromotion detection port, etc. in msec. When this property is implemented, the “Sampling count” (EPC = 0xBC) shall be implemented as well. The sampling cycle value shall vary in msec and range from 0x0000 to 0xFFFFE (0 to 65534).

3. 1. 38 Requirements for passage sensor class

Class group code : 0x00

Class code : 0x27

Instance code : 0x01–0x7F (0x00: All-instance specification code)

Property name	EPC	Contents of property	Data type	Data size	Unit	Access rule	Mandatory	Announcement at status change	Remark
		Value range (decimal notation)							
Operation status	0x80	This property indicates the ON/OFF status.	unsigned char	1 byte	—	Set		○	
		ON=0x30, OFF=0x31				Get			
Detection threshold level	0xB0	Specifies detection threshold level (8-step).	unsigned char	1 byte	–	Set/Get			
		0x31–0x38							
Passage detection hold time	0xBE	This property indicates passage detection hold time in ms.	unsigned char	2 bytes	ms	Set/Get			
		0x0000–0xFFFFD (0–65533 ms)							
Passage detection direction	0xE0	This property indicates direction of passage (one of 8 different directions).	unsigned char	1 byte	–	Get	○	○	
		0x30: No passage. 0x31 to 0x38: Direction of passage. 0x39: Passage detected but not located. Or, a sensor incapable of detecting passage direction was passed.							

Note: In the “Announcement at status change” column, ○ denotes mandatory processing when the property is implemented.

(1) Operation status (inherited from the device object super class property)

This property indicates whether the function native to this class is operating or not (ON/OFF). In the node mounting this class, if the function of this class is started concurrently with the start of node operation, this property may be implemented at a fixed value of 0x30 (Operation status ON).

(2) Detection threshold level

Sets 8 steps of threshold values at which the “Passage detection direction” (EPC = 0xE0) property changes from “No passage” (0x30) to “Passage detected” (0x31 to 0x39). The minimum value is 0x31 and the maximum value is 0x38. No concrete value is specified for each level. If the detection threshold of the actual device is higher or lower than the 8-step range, the property of the actual device shall be assigned to the property value of the 8 steps specified in this property.

(3) Passage detection hold time

This property refers to the time interval between the instant at which the passage detection direction property changes to “Passage detected” (0x31 to 0x39) and the instant at which the property reverts to “No passage”. The property value range shall be 0x0000 to 0xFFFFD (0 to 65533 ms).

(4) Passage detection direction

Uses a value between 0x30 and 0x38 to indicate the two-dimensional direction of passage. The values within the range of 0x31 to 0x38 shall indicate the direction of passage. The values shall indicate 8 different directions clockwise with the value 0x31 representing “IN”.

The value 0x30 indicates the state in which no passage is detected. If a passage is detected but its direction cannot be identified, the value 0x39 shall be taken. The value 0x39 shall also be taken if a passage is detected by a sensor incapable of detecting the direction of passage.

In situations where “Passage detection hold time” (EPC = 0xBE) is implemented, the value of this property shall revert to “No passage” (0x30) if the detection hold time elapses after the property value changes from “No passage” (0x30) to “Passage detected” (0x31 to 0x39).

Even if an actual device (sensor) capable of detecting the direction of passage detects fewer than or more than 8 directions, the passage detection directions of the actual device (sensor) shall be assigned to the 8-direction property values defined here. When two directions are to be detected, their property values shall be 0x31 (IN) and 0x35 (OUT). The directions IN and OUT are not stipulated here.

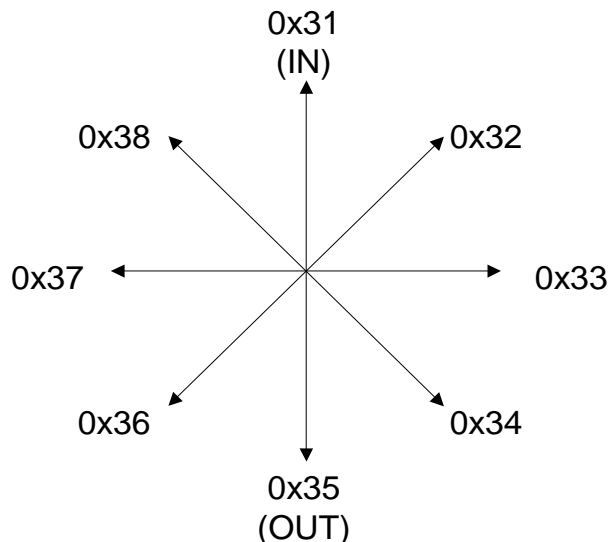


Fig. 3-1 Correspondence between Passage Detection Direction Property Values and Directions

3. 1. 39 Requirements for bed presence sensor class

Class group code : 0x00

Class code : 0x28

Instance code : 0x01–0x7F (0x00: All-instance specification code)

Property name	EPC	Contents of property	Data type	Data size	Unit	Access rule	Mandatory	Announcement at status change	Remark
		Value range (decimal notation)							
Operation status	0x80	This property indicates the ON/OFF status.	unsigned char	1 byte	—	Set		○	
		ON=0x30, OFF=0x31				Get			
Detection threshold level	0xB0	Specifies detection threshold level (8-step).	unsigned char	1 byte	–	Set/Get			
		Detection threshold level 0x31–0x38							
Bed presence detection status	0xB1	This property indicates bed presence detection status.	unsigned char	1 byte	–	Get	○	○	
		Bed presence detected = 0x41, Bed presence not detected = 0x42							

Note: In the “Announcement at status change” column, ○ denotes mandatory processing when the property is implemented.

(1) Operation status (inherited from the device object super class property)

This property indicates whether the function native to this class is operating or not (ON/OFF). In the node mounting this class, if the function of this class is started concurrently with the start of node operation, this property may be implemented at a fixed value of 0x30 (Operation status ON).

(2) Detection threshold level

Sets 8 steps of threshold values at which “Bed presence detection status” (EPC = 0xB1) changes to “Bed presence detected”. The minimum value is 0x31 and the maximum value is 0x38. No concrete value is specified for each level. If the detection threshold of the actual device is higher or lower than the 8-step range, the property of the actual device shall be assigned to the property value of the 8 steps specified in this property.

(3) Bed presence detection status

This property indicates whether a bed presence is detected or not.

In situations where “Detection threshold level” (EPC = 0xB0) is implemented, the status shall change to “Bed presence detected” when the threshold value set by “Detection threshold level” is exceeded. If the threshold value is not reached, on the other hand, the status shall change to “Bed presence not detected”.

3. 1. 40 Requirements for open/close sensor class

Class group code : 0x00

Class code : 0x29

Instance code : 0x01–0x7F (0x00: All-instance specification code)

Property name	EPC	Contents of property	Data type	Data size	Unit	Access rule	Mandatory	Announcement at status change	Remark
		Value range (decimal notation)							
Operation status	0x80	This property indicates the ON/OFF status.	unsigned char	1 byte	—	Set		○	
		ON=0x30, OFF=0x31				Get			
Degree-of-opening detection status 1	0xE0	Specifies open/close detection status and one of 8 different degrees of opening.	unsigned char	1 byte	–	Get	○		Note1
		Close detected: 0x30; Degree-of-opening level: 0x31 to 0x38; Open detected but degree-of-opening unknown: 0x39							
Detection threshold level	0xB0	Specifies detection threshold level (8-step).	unsigned char	1 byte	–	Set/Get			
		Detection threshold level 0x31–0x38							
Degree-of-opening detection status 2	0xB1	Specifies whether degree-of-opening detected or not	unsigned char	1 byte	–	Get	○	○	Note1
		Degree-of-opening detection detected =0x41, not detected =0x42							

Note: In the “Announcement at status change” column, ○ denotes mandatory processing when the property is implemented.

Note1: Either the “Degree-of-opening detection status 1” (EPC = 0xE0) or “Degree-of-opening detection status 2” (EPC = 0xB1) property must be implemented.

(1) Operation status (inherited from the device object super class property)

This property indicates whether the function native to this class is operating or not (ON/OFF). In the node mounting this class, if the function of this class is started concurrently with the start of node operation, this property may be implemented at a fixed value of 0x30 (Operation status ON).

(2) Degree-of-opening detection status

This property indicates whether a door or window is open or closed, and uses 8 different steps to indicate the degree of opening.

The property value 0x30 indicates that a door or window is closed. If the property value is between 0x31 and 0x38, it indicates that the detection target is open. The property value 0x31 indicates the minimum degree of opening, whereas the property

value 0x38 indicates the maximum degree of opening. Here, the terms “closed”, “open”, and “degree of opening” represent various states detected by an open/close sensor mounted on a door or window. Degrees of opening represented by the values 0x31 to 0x38 should be defined by dividing the difference between the closed state (0x30) and fully open state (0x38) into equal portions.

(3) Detection threshold level

Sets 8 steps of threshold values at which “Open /close detection status 2” (EPC = 0xB1) changes to “Open/close detected”. The minimum value is 0x31 and the maximum value is 0x38. No concrete value is specified for each level. If the detection threshold of the actual device is higher or lower than the 8-step range, the property of the actual device shall be assigned to the property value of the 8 steps specified in this property.

(4) Degree-of-opening detection status 2

Specifies detecting of open/close status. In implementing EPC = 0xB0 “Detection threshold level”, when the detection level becomes higher than or equal to a threshold value set by the detection threshold level, the degree-of opening detection changes into “degree-of-opening detection detected” =0x41. When the detection level becomes lower than the threshold value set by the detection threshold level, the degree-of opening detection changes into “degree-of-opening detection not detected” =0x42.

3. 1. 41 Requirements for activity amount sensor class

Class group code : 0x00

Class code : 0x2A

Instance code : 0x01–0x7F (0x00: All-instance specification code)

Property name	EPC	Contents of property	Data type	Data size	Unit	Access rule	Mandatory	Announcement at status change	Remark
		Value range (decimal notation)							
Operation status	0x80	This property indicates the ON/OFF status.	unsigned char	1 byte	—	Set		○	
		ON=0x30, OFF=0x31				Get			
Activity amount level 1	0xE0	This property indicates 8 different activity amount levels. The array element number represents a human body ID.	unsigned char × max 128	Max 128 bytes	—	GetM	○		Note1
		0x31–0x38							
Maximum number of human body ID's	0xE1	This property indicates maximum number of human body IDs that can be registered for activity amount level 1.	unsigned short	2 bytes	—	Get			
		0x0001–0x0080 (= 1–128)							
Activity amount level 2	0xE2	This property indicates 8 different activity amount levels.	unsigned char	1 byte	—	Get	○		Note1
		0x31–0x38							
Human body existence information	0xE3	Array element number information retained by activity amount level 1.	unsigned char × 16	16 bytes	—	Get			
		(See (5) below for details.)							

Note: In the “Announcement at status change” column, ○ denotes mandatory processing when the property is implemented.

Note1: Either the “Activity amount level 1” (EPC = 0xE0) or “Activity amount level 2” (EPC = 0xE2) property must be implemented.

(1) Operation status (inherited from the device object super class property)

This property indicates whether the function native to this class is operating or not (ON/OFF). In the node mounting this class, if the function of this class is started concurrently with the start of node operation, this property may be implemented at a fixed value of 0x30 (Operation status ON).

(2) Activity amount level 1

This property indicates 8 different activity amount values. The values 0x31 and 0x38 shall be used as the minimum and maximum values, respectively. However, specific activity amounts for the 8 different levels are not stipulated.

Even if the number of activity amount levels of the actual device is less than or greater than 8, the activity amount levels of the actual device shall be assigned to the

8 different property values defined here.

The array element number represents a human body ID for identifying an individual. If the human body ID associated with an array element number is not found, it is concluded that the associated array element does not exist. The array element number range shall be 0x0000 to 0x007F (0 to 127).

(3) Maximum number of human body ID's

This property indicates the maximum number of human body IDs that can be registered for activity amount level 1.

Eventually, this value is equal to the maximum processable array element number plus 1. Therefore, the property value range shall be 0x0001 to 0x0080 (1 to 128).

(4) Activity amount level 2

Sets 8 different activity amount values. The values 0x31 and 0x38 shall be used as the minimum and maximum values, respectively. However, specific activity amounts for the 8 different levels are not stipulated.

Even if the number of activity amount levels of the actual device is less than or greater than 8, the activity amount levels of the actual device shall be assigned to the 8 property values defined here.

(5) Human body existence information

A bitmap is used to indicate whether or not the array element number information is retained for activity amount level 1. In the following 16-byte table, the value 1 shall be set at bit locations that indicate existing array element numbers.

	Bit 0	Bit 1	Bit 2	Bit 3	Bit 4	Bit 5	Bit 6	Bit 7
1st byte	0000	0001	0002	0003	0004	0005	0006	0007
2nd byte	0008	0009	000A	000B	000C	000D	000E	000F
3rd byte	0010	0011	0012	0013	0014	0015	0016	0017
4th byte	0018	0019	001A	001B	001C	001D	001E	001F
5th byte	0020	0021	0022	0023	0024	0025	0026	0027
6th byte	0028	0029	002A	002B	002C	002D	002E	002F
7th byte	0030	0031	0032	0033	0034	0035	0036	0037
8th byte	0038	0039	003A	003B	003C	003D	003E	003F
9th byte	0040	0041	0042	0043	0044	0045	0046	0047
10 th byte	0048	0049	004A	004B	004C	004D	004E	004F
11 th byte	0050	0051	0052	0053	0054	0055	0056	0057
12 th byte	0058	0059	005A	005B	005C	005D	005E	005F
13 th byte	0060	0061	0062	0063	0064	0065	0066	0067
14 th byte	0068	0069	006A	006B	006C	006D	006E	006F
15 th byte	0070	0071	0072	0073	0074	0075	0076	0077
16 th byte	0078	0079	007A	007B	007C	007D	007E	007F

3. 1. 42 Requirements for human body location sensor

Class group code : 0x00

Class code : 0x2B

Instance code : 0x01–0x7F (0x00: All-instance specification code)

Property name	EPC	Contents of property	Data type	Data size	Unit	Access rule	Mandatory	Announcement at status change	Remark
		Value range (decimal notation)							
Operation status	0x80	This property indicates the ON/OFF status.	unsigned char	1 byte	—	Set		○	
		ON=0x30, OFF=0x31				Get			
Human body detection location 1	0xE0	This property indicates human body detection location. The array element number indicates a human body ID.	unsigned char × 3 × max 128	3 × max 128 bytes	—	GetM	○		Note1
		1st byte: X coordinate; 2nd byte: Y coordinate; 3rd byte: Z coordinate							
Maximum number of human body ID's	0xE1	This property indicates maximum number of human body IDs that can be registered for human body detection location 1.	unsigned short	2 bytes	—	Get			
		0x0001–0x0080 (= 1–128)							
Human body detection location 2	0xE2	This property indicates human body detection location.	unsigned char × 3	3 bytes	—	Get	○		Note1
		1st byte: X coordinate; 2nd byte: Y coordinate; 3rd byte: Z coordinate							
Human body existence information	0xE3	Array element number information retained by human body detection location 1.	unsigned char × 16	16 bytes	—	Get			
		(See (5) below for details.)							

Note: In the “Announcement at status change” column, ○ denotes mandatory processing when the property is implemented.

Note1: Either the “Human body detection location 1” (EPC = 0xE0) or “Human body detection location 2” (EPC = 0xE2) property must be implemented.

(1) Operation status (inherited from the device object super class property)

This property indicates whether the function native to this class is operating or not (ON/OFF). In the node mounting this class, if the function of this class is started concurrently with the start of node operation, this property may be implemented at a fixed value of 0x30 (Operation status ON).

(2) Human body detection location 1

Each array element consists of three data bytes of unsigned char type.

The array element number represents a human body ID that identifies an individual. If the human body ID associated with an array element number is not found, it shall be concluded that no associated array element exists. The array element number

range shall be 0x0000 to 0x007F (0 to 127).

For the 1st, 2nd, and 3rd bytes, the three-dimensional human body detection location (X, Y, and Z coordinates) shall be indicated using 255 different values (0x00 to 0xFE).

For the X, Y, and Z coordinates, the value 0xFF shall mean that the location cannot be identified or is undefined.

If the human body ID associated with an array element number is not found, it shall be concluded that the related array element does not exist.

(3) Maximum array element count

This property indicates the maximum number of human body IDs that can be registered for human body detection location 1.

Eventually, this value is equal to the maximum processable array element number plus 1. Therefore, the property value range shall be 0x0001 to 0x0080 (1 to 128).

(4) Human body detection location 2

For the 1st, 2nd, and 3rd bytes, the three-dimensional human body detection location (X, Y, and Z coordinates) shall be indicated using 255 different values (0x00 to 0xFE).

For the X, Y, and Z coordinates, the value 0xFF shall mean that the location cannot be identified or is undefined.

(5) Human body existence information

A bitmap is used to indicate whether or not the array element number information is retained for human body location 1. In the following 16-byte table, the value 1 shall be set at bit locations that indicate existing array element numbers.

	Bit 0	Bit 1	Bit 2	Bit 3	Bit 4	Bit 5	Bit 6	Bit 7
1st byte	0000	0001	0002	0003	0004	0005	0006	0007
2nd byte	0008	0009	000A	000B	000C	000D	000E	000F
3rd byte	0010	0011	0012	0013	0014	0015	0016	0017
4th byte	0018	0019	001A	001B	001C	001D	001E	001F
5th byte	0020	0021	0022	0023	0024	0025	0026	0027
6th byte	0028	0029	002A	002B	002C	002D	002E	002F
7th byte	0030	0031	0032	0033	0034	0035	0036	0037
8th byte	0038	0039	003A	003B	003C	003D	003E	003F
9th byte	0040	0041	0042	0043	0044	0045	0046	0047
10 th byte	0048	0049	004A	004B	004C	004D	004E	004F
11 th byte	0050	0051	0052	0053	0054	0055	0056	0057
12 th byte	0058	0059	005A	005B	005C	005D	005E	005F
13 th byte	0060	0061	0062	0063	0064	0065	0066	0067
14 th byte	0068	0069	006A	006B	006C	006D	006E	006F

15 th byte	0070	0071	0072	0073	0074	0075	0076	0077
16 th byte	0078	0079	007A	007B	007C	007D	007E	007F

3. 1. 43 Requirements for snow sensor class

Class group code : 0x00

Class code : 0x2C

Instance code : 0x01–0x7F (0x00: All-instance specification code)

Property name	EPC	Contents of property		Data type	Data size	Unit	Access rule	Mandatory	Announcement at status change	Remark
		Value range (decimal notation)								
Operation status	0x80	This property indicates ON/OFF status		unsigned char	1 byte	—	Set		○	
		ON=0x30, OFF=0x31					Get	○		
Detection threshold level	0xB0	This property indicates threshold levels with 8 steps		unsigned char	1 byte	—	Set/Get			
		0x31-0x38								
Snow detection status	0xB1	This property indicates snow detection		unsigned char	1 byte	—	Get	○	○	
		detected 0x41, not detected 0x42								

Note: In the “Announcement at status change” column, ○ denotes mandatory processing when the property is implemented.

(1) Operation status (Device object super class property inherited)

This property indicates whether the built-in function of this class is operated or not (ON/OFF). When the node equipped with this class begins to work and the function of this class begins to work, it is also possible to be implemented this property with the fixed value 0x30 (operation status ON).

(2) Detection threshold level

Threshold levels turned to “Detected” for EPC = 0xB1 “snow detection status” are specified with 8 steps. “0x31” is assigned for a minimum value and “0x38” is assigned for a maximum value. Concrete values assigned for other steps are not specified.

When the number of detection threshold steps is lower than 8 or higher than 8, these 8 steps property values defined by this property must be assigned to actual equipment properties.

(3) Snow detection status

Snow detection status is indicated with “Detected” or “Not detected”. When EPC = 0xB0 is implemented and a detection level is higher than or equal to the threshold value specified the detection threshold level, the snow detection status changes into “Detected”. When a sensing level becomes lower than the threshold value specified

the detection threshold level, the snow detection status changes into “Not detected”.

3. 1. 44 Requirements for air pressure sensor class

Class group code : 0x00

Class code : 0x2D

Instance code : 0x01–0x7F (0x00: All-instance specification code)

Property name	EPC	Contents of property	Data type	Data size	Unit	Access rule	Mandatory	Announcement at status change	Remark
		Value range (decimal notation)							
Operation status	0x80	This property indicates the ON/OFF status.	unsigned char	1 byte	—	Set	○	○	
		ON=0x30, OFF=0x31				Get			
Air pressure measurement	0xE0	This property indicates air pressure measurements in units of 0.1hPa.	unsigned short	2 bytes	0.1hPa	Get	○		
		0x0000–0xFFFFD (0.0–6553.3hPa)							

Note: In the “Announcement at status change” column, ○ denotes mandatory processing when the property is implemented.

(1) Operation status (inherited from the device object super class property)

This property indicates whether the functions unique to this class are ready to be used (ON) or not (OFF). In the case of a node equipped with this class in which functions specific to this class start operating upon startup of the node, this property may be implemented with the value fixed at 0x30 (operation status ON).

(2) Air pressure measurement

Indicates air pressure measurements in units of 0.1hPa. The property value range is 0x0000–0xFFFFD (0.0–6553.3hPa). If the property values of actual devices exceed the property value range, the overflow code 0xFFFF shall be used. If the property values of actual devices are lower than the lower limit of the property value range, the underflow code 0xFFFFE shall be used.

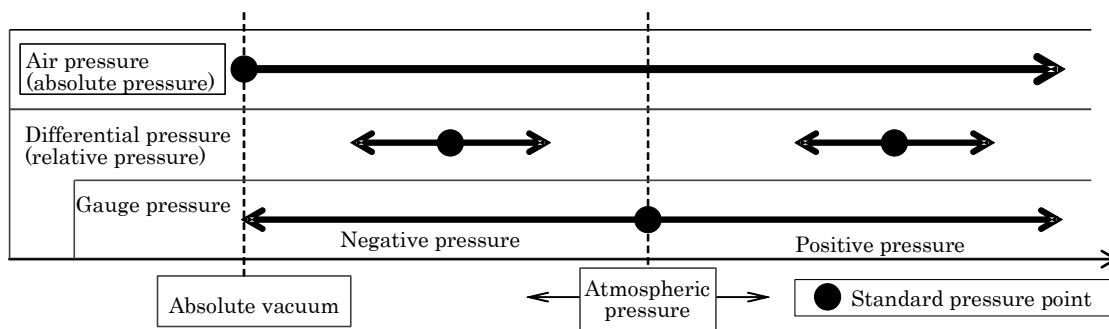


Fig. 3-2 (Ref.) Image of the various pressures

3. 2 Air Conditioner-related Device Class Group

This section specifies detailed codes and properties for each ECHONET object belonging to the air conditioner-related device class group (class group code X1 = 0x01). Table 3-2 shows a list of classes for which detailed specifications are provided. In the requirements of classes, “Mandatory” means that the device mounting each class must mount a combination of its property and service.

Table 3-2 List of Objects of Air Conditioner-related Device Class Group

Group code	Class code	Class name	Whether or not detailed requirements are provided	Remark
0x01	0x00 to 0x2F	Reserved for future use		
	0x30	Home air conditioner	○	
	0x31	Cold blaster		
	0x32	Electric fan		
	0x33	Ventilation fan	○	
	0x34	Air conditioner ventilation fan	○	
	0x35	Air cleaner	○	
	0x36	Cold blast fan		
	0x37	Circulator		
	0x38	Dehumidifier		
	0x39	Humidifier	○	
	0x3A	Ceiling fan		
	0x3B	Electric Kotatsu		
	0x3C	Electric heating pad		
	0x3D	Electric blanket		
	0x3E	Space heater		
	0x3F	Panel heater		
	0x40	Electric carpet		
	0x41	Floor heater		
	0x42	Electric heater	○	
0x43	Fan heater	○		
0x44	Battery charger			
0x45	Reserved for future use			Class name up to Release H: “Package-type commercial air conditioner (indoor unit)”
0x46	Reserved for future use			Class name up to Release H: “Package-type commercial air conditioner (outdoor unit)”
0x47	Package-type commercial air conditioner thermal storage unit			
0x48	Commercial fan coil unit			

	0x49	Commercial air conditioning cold source (chiller)		
	0x50	Commercial air conditioning hot source (boiler)		
	0x51	Air-conditioning VAV for commercial applications		
	0x52	Air handling unit (air-conditioning) for commercial applications		
	0x53	Unit-cooler		
	0x54	Condensing unit for commercial applications		
	0x55	Electric storage heater	○	
	0x56	Package-type commercial air conditioner (indoor unit) (except those for facilities)	○	
	0x57	Package-type commercial air conditioner (outdoor unit) (except those for facilities)	○	
	0x58 to 0xFF	Reserved for future use.		

Note: ○ indicates a detail is explained including a property structure in APPENDIX.

3. 2. 1 Requirements for home air conditioner class

Class group code : 0x01

Class code : 0x30

Instance code : 0x01–0x7F (0x00: All-instance specification code)

Property name	EPC	Contents of property	Data type	Data size	Unit	Access rule	Mandatory	Announcement at status change	Remark
		Value range (decimal notation)							
Operation status	0x80	This property indicates the ON/OFF status.	unsigned char	1 byte	—	Set	○	○	
		ON=0x30, OFF=0x31				Get			
Power-saving operation setting	0x8F	This property indicates whether the device is operating in power-saving mode.	unsigned char	1 byte	–	Set/Get	○	○	
		Operating in power-saving mode =0x41 Operating in normal operation mode =0x42							
Operation mode setting	0xB0	Used to specify the operation mode (“automatic,” “cooling,” “heating,” “dehumidification,” “air circulator” or “other”), and to acquire the current setting.	unsigned char	1 byte	–	Set/Get	○	○	
		The following values shall be used: Automatic: 0x41 Cooling: 0x42 Heating: 0x43 Dehumidification: 0x44 Air circulator: 0x45 Other: 0x40							
Automatic temperature control setting	0xB1	Used to specify whether or not to use the automatic temperature control function, and to acquire the current setting.	unsigned char	1 byte	–	Set/Get			
		Automatic = 0x41 Non-automatic = 0x42							
Normal/high-speed/silent operation setting	0xB2	Used to specify the type of operation (“normal,” “high-speed” or “silent”), and to acquire the current setting.	unsigned char	1 byte	–	Set/Get			
		Normal operation: 0x41 High-speed operation: 0x42 Silent operation: 0x43							
Set temperature value	0xB3	Used to set the temperature and to acquire the current setting.	unsigned char	1 byte	°C	Set/Get	○		
		0x00–0x32 (0–50°C)							
Set value of relative humidity in dehumidifying mode	0xB4	Used to set the relative humidity for the “dehumidification” mode and to acquire the current setting.	unsigned char	1 byte	%	Set/Get			
		0x00–0x64 (0–100%)							
Set temperature value in cooling mode	0xB5	Used to set the temperature for the “cooling” mode and to acquire the current setting.	unsigned char	1 byte	°C	Set/Get			
		0x00–0x32 (0–50°C)							

Set temperature value in heating mode	0xB6	Used to set the temperature for the “heating” mode and to acquire the current setting.	unsigned char	1 byte	°C	Set/Get			
		0x00–0x32 (0–50°C)							
Set temperature value in dehumidifying mode	0xB7	Used to set the temperature for the “dehumidification” mode and to acquire the current setting.	unsigned char	1 byte	°C	Set/Get			
		0x00–0x32 (0–50°C)							
Rated power consumption	0xB8	Rated power consumption in each operation mode of cooling/heating/dehumidifying/blast	unsigned short × 4	8 bytes	W	Get			
		0x0000–0xFFFD (0–65533W) Cooling: heating: dehumidifying: blast							
Measured value of current consumption	0xB9	Measured value of current consumption	unsigned short	2 bytes	0.1A	Get			
		0x0000–0xFFFD (0–6553.3A)							
Measured value of room relative humidity	0xBA	Measured value of room relative humidity	unsigned char	1 byte	%	Get			
		0x00–0x64 (0–100°C)							
Measured value of room temperature	0xBB	Measured value of room temperature	signed char	1 byte	°C	Get	○		
		0x80–0x7D (-127–125°C)							
Set temperature value of user remote control	0xBC	Set temperature value of user remote control	unsigned char	1 byte	°C	Get			
		0x00–0x32 (0–50°C)							
Measured cooled air temperature	0xBD	This property indicates the measured cooled air temperature at the outlet.	signed char	1 byte	°C	Get			
		0x81–0x7D (-127–125°C)							
Measured outdoor air temperature	0xBE	This property indicates the measured outdoor air temperature.	signed char	1 byte	°C	Get			
		0x81–0x7D (-127–125°C)							
Relative temperature setting	0xBF	Used to set the relative temperature relative to the target temperature for an air conditioner operation mode, and to acquire the current setting.	unsigned char	1 byte	0.1 °C	Set/Get			
		0x81–0x7D (-12.7°C–12.5°C)							
Air flow rate setting	0xA0	Used to specify the air flow rate or use the function to automatically control the air flow rate, and to acquire the current setting. The air flow rate shall be selected from among the 8 predefined levels.	unsigned char	1 byte	–	Set/Get	○	○	
		Automatic air flow rate control function used = 0x41 Air flow rate = 0x31–0x38							
Automatic control of air flow direction setting	0xA1	Used to specify whether or not to use the automatic air flow direction control function, to specify the plane(s) (vertical and/or horizontal) in which the automatic air flow direction control function is to be used, and to acquire the current setting.	unsigned char	1 byte	–	Set/Get			
		Automatic = 0x41, non-automatic = 0x42, automatic (vertical) = 0x43, automatic (horizontal) = 0x44							

Automatic swing of air flow setting	0xA3	Used to specify whether or not to use the automatic air flow swing function, to specify the plane(s) (vertical and/or horizontal) in which the automatic air flow swing function is to be used, and to acquire the current setting.	unsigned char	1 byte	-	Set/Get			
		Automatic air flow swing function not used = 0x31, used (vertical) = 0x41, used (horizontal) = 0x42, used (vertical and horizontal) = 0x43							
Air flow direction (vertical) setting	0xA4	Used to specify the air flow direction in the vertical plane by selecting a pattern from among the 5 predefined patterns, and to acquire the current setting.	unsigned char	1 byte	-	Set/Get			
		Uppermost = 0x41, lowermost = 0x42, central = 0x43, midpoint between uppermost and central = 0x44, midpoint between lowermost and central = 0x45							
Air flow direction (horizontal) setting	0xA5	Used to specify the air flow direction(s) in the horizontal plane by selecting a pattern from among the 31 predefined patterns, and to acquire the current setting.	unsigned char	1 byte	-	Set/Get			
		Rightward = 0x41, leftward = 0x42, central = 0x43, rightward and leftward = 0x44 (for a full list of the predefined patterns, see the table in the subsection defining the detailed requirements for this property).							
Special state	0xAA	This property indicates if the air conditioner is in a "special" state (i.e. the "defrosting," "preheating," or "heat removal" state).	unsigned char	1 byte	-	Get			
		"Normal operation" state = 0x40, "Defrosting" state = 0x41, "Preheating" state = 0x42, "Heat removal" state = 0x43							
Non-priority state	0xAB	Used to indicate when the air conditioner is in a "non-priority" state.	unsigned char	1 byte	-	Get			
		"Normal operation" state = 0x40, "Non-priority" state = 0x41							
Ventilation function setting	0xC0	Used to specify whether or not to use the ventilation function, to specify the ventilation direction, and to acquire the current setting.	unsigned char	1 byte	-	Set/Get			
		Ventilation function ON (outlet direction) = 0x41, ventilation function OFF = 0x42, ventilation function ON (intake direction) = 0x43, ventilation function ON (outlet and intake direction) = 0x44							
Humidifier function setting	0xC1	Used to specify whether or not to use the humidifier function, and to acquire the current setting.	unsigned char	1 byte	-	Set/Get			
		Humidifier function ON = 0x41, Humidifier function OFF = 0x42							
Ventilation air flow rate setting	0xC2	Used to specify the ventilation air flow rate by selecting a level from among the predefined levels, and to acquire the current setting.	unsigned char	1 byte	-	Set/Get			
		Automatic control of ventilation air flow rate = 0x41, ventilation air flow rate = 0x31-0x38							

Degree of humidification setting	0xC4	Used to specify the degree of humidification to achieve by selecting a level from among the predefined levels, and to acquire the current setting.	unsigned char	1 byte	-	Set /Get			
		Automatic control of the degree of humidification = 0x41 Degree of humidification = 0x31-0x38							
Mounted air cleaning method	0xC6	A bitmap indicates mounted method of exercising air cleaning function.	unsigned char	1 byte	-	Get			
		Bit 0: Information about electrical dust collection method mounting 0 - Not mounted 1 - Mounted Bit 1: Information about cluster ion method mounting 0 - Not mounted 1 - Mounted							
Air purifier function setting	0xC7	An 8-byte array used to specify, for each type of air purifier function, whether or not to use the air purifier function and the degree of air purification to achieve with the air purifier function, and to acquire the current settings.	unsigned char × 8	1 byte × 8	-	SetM /GetM Set /Get			
		Element 0: Indicates whether or not to use the electrical dust collection-based air purifier function. Element 1: Indicates whether or not to use the cluster ion-based air purifier function. Elements 2 to 7: Reserved for future use.							
Mounted air refresh method	0xC8	A bitmap indicates mounted method for exercising refresh function.	unsigned char	1 byte	-	Get			
		Bit 0: Information about minus ion method mounting 0 - Not mounted 1 - Mounted Bit 1: Information about cluster ion method mounting 0 - Not mounted 1 - Mounted							
Air refresher function setting	0xC9	An 8-byte array used to specify, for each type of air refresher function, whether or not to use the air refresher function and the degree of air refreshing to achieve with the air refresher function, and to acquire the current settings.	unsigned char × 8	1 byte × 8	-	SetM /GetM Set /Get			
		Element 0: Indicates whether or not to use the minus ion-based air refresher function. Element 1: Indicates whether or not to use the cluster ion-based air refresher function. Elements 2-7: Reserved for future use.							
Mounted self-cleaning	0xCA	A bitmap indicates mounted method for exercising self-cleaning function.	unsigned char	1 byte	-	Get			

method		<p>Bit 0: Information about ozone cleaning method mounting 0 - Not mounted 1 - Mounted</p> <p>Bit 1: Information about drying method mounting 0 - Not mounted 1 - Mounted</p>							
Self-cleaning function setting	0xCB	<p>An 8-byte array used to specify, for each type of self-cleaning function, whether or not to use the self-cleaning function and the degree of self-cleaning to achieve with the self-cleaning function, and to acquire the current settings.</p> <p>Element 0: Indicates whether or not to use the ozone-based self-cleaning function.</p> <p>Element 1: Indicates whether or not to use the drying-based self-cleaning function.</p> <p>Elements 2-7: Reserved for future use.</p>	unsigned char × 8	1 byte × 8	–	SetM /GetM			
Special function setting	0xCC	<p>Used to specify the “special function” to use, and to acquire the current setting.</p> <p>No setting: 0x40, clothes dryer function: 0x41, condensation suppressor function: 0x42, mite and mold control function: 0x43, active defrosting function: 0x44 0x45-: Reserved for future use.</p>	unsigned char	1 byte	–	Set /Get			
Operation status of components	0xCD	<p>This property indicates the operation status of components of the air conditioner in a bitmap format.</p> <p>Bit 0: Operation status of the compressor: 0: Not operating 1: In operation</p> <p>Bit 1: Operation status of the thermostat: 0: Thermostat OFF 1: Thermostat ON</p> <p>Bits 2-7: Reserved for future use.</p>	unsigned char	1 byte	–	Get			
Thermostat setting override function	0xCE	<p>Used to specify whether or not to allow the air conditioner to operate ignoring its thermostat setting.</p> <p>Normal setting = 0x40, thermostat setting override function ON = 0x41, thermostat setting override function OFF = 0x42</p>	unsigned char	1 byte	–	Set/Get			
Air purification mode setting	0xCF	<p>Used to set the air purification mode setting ON/OFF and to acquire the current setting.</p> <p>Air purification ON=0x41, OFF=0x42</p>	unsigned char	1 byte	–	Set/Get			
Buzzer	0xD0	<p>Used to generate a buzzer sound.</p> <p>Buzzer sound generation =0x41</p>	unsigned char	1 byte	–	Set			
ON timer-based reservation setting	0x90	Used to specify whether or not to use the ON timer (time-based reservation function, relative time-based reservation function or both), and to acquire the current setting.	unsigned char	1 byte	–	Set/Get			

		Both the time- and relative time-based reservation functions are ON = 0x41, both reservation functions are OFF = 0x42, time-based reservation function is ON = 0x43, relative time-based reservation function is ON = 0x44							
ON timer setting (time)	0x91	Used to specify the time for the time-based reservation function in the HH:MM format and to acquire the current setting. 0-0x17: 0-0x3B (= 0-23): (= 0-59)	unsigned char × 2	2 bytes	–	Set/Get			
ON timer setting (relative time)	0x92	Used to specify the relative time for the relative time-based reservation function in the HH:MM format and to acquire the current setting. 0-0xFF: 0-0x3B (= 0-255): (= 0-59)	unsigned char × 2	2 bytes	–	Set/Get			
OFF timer-based reservation setting	0x94	Used to specify whether or not to use the OFF timer (time-based reservation function, relative time-based reservation function or both), and to acquire the current setting. Both the time- and relative time-based reservation functions are ON = 0x41, both reservation functions are OFF = 0x42, time-based reservation function is ON = 0x43, relative time-based reservation function is ON = 0x44	unsigned char	1 byte	–	Set/Get			
OFF timer setting (time)	0x95	Used to specify the time for the time-based reservation function in the HH:MM format and to acquire the current setting. 0-0x17: 0-0x3B (= 0-23): (= 0-59)	unsigned char × 2	2 bytes	–	Set/Get			
OFF timer setting (relative time)	0x96	Used to specify the relative time for the relative time-based reservation function in the HH:MM format and to acquire the current setting. 0-0xFF: 0-0x3B (= 0-255): (= 0-59)	unsigned char × 2	2 bytes	–	Set/Get			

Note: In the “Announcement at status change” column, ○ denotes mandatory processing when the property is implemented.

- (1) Operation status (inherited from the device object super class property.)
Used to specify whether to turn on or off the household air conditioner, and to acquire the current operation status. 0x30 and 0x31 shall be used for the ON and OFF states, respectively.
- (2) Power-saving operation setting (inherited from the device object super class property)
Used to specify the operation mode of the household air conditioner (“normal mode” (not saving power) or “power-saving mode”) and to acquire the current operation status. 0x41 and 0x42 shall be used for power-saving mode and normal mode (not saving power), respectively. For “Life watching service,” “Announcement at status change” is mandatory.

(3) Operation mode setting

Used to specify the operation mode of the household air conditioner (“automatic,” “cooling,” “heating,” “dehumidification,” “air circulator” or “other”) and to acquire the current setting. “Other” represents an operation mode other than the 5 modes. 0x41, 0x42, 0x43, 0x44, 0x45 and 0x40 shall be used for “automatic,” “cooling,” “heating,” “dehumidification,” “air circulator” and “other,” respectively. It is only required to implement the property values that correspond to the modes supported by the actual piece of equipment in which this class is implemented. For example, if the piece of equipment in which this class is implemented does not have an air circulator function, it is not necessary to implement the value for the air circulator mode (0x45).

This property shall be effective even when the value of the “operation status” property (0x80) is OFF (0x31).

(4) Automatic temperature control setting

Used (i) to specify whether or not to use an automatic temperature control function of a household air conditioner that allows the air conditioner to operate based on an automatic temperature setting calculation algorithm, etc. implemented in the main body of the air conditioner and without using as the target any “temperature setting” property (EPC = 0xB3, 0xB5, 0xB6 or 0xB7) and (ii) to acquire the current setting. 0x41 and 0x42 shall be used for the ON and OFF states, respectively.

This property shall be effective even when the value of the “operation status” property (0x80) is OFF (0x31).

(5) Normal/high-speed/silent operation setting

Used to specify the type of operation (“normal,” “high-speed” or “silent”) and to acquire the current setting. 0x41, 0x42 and 0x43 shall be used for “normal,” “high-speed” and “silent,” respectively. This property can be used in combination with the “operation mode setting” property (EPC = 0xB0) to achieve “high-speed (rapid) cooling,” “high-speed (rapid) heating,” “high-speed (strong) dehumidification,” etc. The 3 types of operation (“normal,” “high-speed” and “silent”) are mutually exclusive.

(6) Set temperature value

Used to set the temperature (°C) for the current operation mode of the air conditioner that is specified by the “operation mode setting” property, and to acquire the current setting. The value of this property shall be used as the target temperature when the

air conditioner does not have an automatic temperature control function or when it has an automatic temperature control function that is disabled (by the “automatic temperature control’ setting” property). The value to be used when the specified target temperature is indeterminable as a result of enabling the automatic temperature control function shall be 0xFD (temperature indeterminable). This property shall be effective even when the value of the “operation status” property (0x80) is OFF (0x31).

(7) Set value of relative humidity in dehumidifying mode

Used to set the relative humidity (in %) for the “dehumidification” mode (as specified by the “operation mode setting” property (EPC = 0xB0)), and to acquire the current setting. Implementation of this property allows values to be specified and acquired even when a mode other than the “dehumidification” mode is specified by the “operation mode setting” property (EPC = 0xB0).

This property shall be effective even when the value of the “operation status” property (0x80) is OFF (0x31).

(8) Set temperature value in cooling mode

Used to set the temperature (°C) for the “cooling” mode (as specified by the “operation mode setting” property (EPC = 0xB0)), and to acquire the current setting. Implementation of this property allows values to be specified and referenced even when a mode other than the “cooling” mode is specified by the “operation mode setting” property (EPC = 0xB0).

The value of this property shall be used as the target temperature when the air conditioner does not have an automatic temperature control function or when it has an automatic temperature control function that is disabled (by the “automatic temperature control’ setting” property).

The content of this property must match the content of the “temperature setting” property (EPC = 0xB3).

This property shall be effective even when the value of the “operation status” property (0x80) is OFF (0x31).

(9) Set temperature value in heating mode

Used to set the temperature (°C) for the “heating” mode (as specified by the “operation mode setting” property (EPC = 0xB0)), and to acquire the current setting. Implementation of this property allows values to be specified and referenced even

when a mode other than the “heating” mode is specified by the “operation mode setting” property (EPC = 0xB0).

The value of this property shall be used as the target temperature when the air conditioner does not have an automatic temperature control function or when it has an automatic temperature control function that is disabled (by the “automatic temperature control’ setting” property).

The content of this property must match the content of the “temperature setting” property (EPC = 0xB3).

This property shall be effective even when the value of the “operation status” property (0x80) is OFF (0x31).

(10) Set temperature value in dehumidifying mode

Used to set the temperature (°C) for the “dehumidification” mode (as specified by the “operation mode setting” property (EPC = 0xB0)), and to acquire the current setting. Implementation of this property allows values to be specified and referenced even when a mode other than the “dehumidification” mode is specified by the “operation mode setting” property (EPC = 0xB0).

The value of this property shall be used as the target temperature when the air conditioner does not have an automatic temperature control function or when it has an automatic temperature control function that is disabled (by the “automatic temperature control’ setting” property).

The content of this property must match the content of the “temperature setting” property (EPC = 0xB3).

This property shall be effective even when the value of the “operation status” property (0x80) is OFF (0x31).

(11) Rated power consumption

This property indicates, in watts, the rated power consumption values (brochure values) for the “cooling,” “heating,” “dehumidification” and “air circulator” modes. The range of rated power consumption value for each of the 4 modes shall be 0x0000 to 0xFFFFD (0 to 65533W) and the bytes shall be used in such a manner that the four values are indicated in the order stated in the previous sentence. When the actual piece of equipment does not support one or more of the four modes, the underflow code 0xFFFFE shall be used for the unsupported mode(s).

This property shall be effective even when the value of the “operation status” property (0x80) is OFF (0x31).

(12) Measured value of current consumption

This property indicates the present measured electric current consumption of the air conditioner in 0.1A increments. When the measured electric current is alternating current, the effective value shall be indicated. The property value range shall be 0x0000 to 0xFFFFD (0 to 6553.3A). When the property value of the actual piece of equipment is higher than the upper limit of the property value range, the overflow code 0xFFFFF shall be used. When the property value is lower than the lower limit of the property value range, the underflow code 0xFFFFE shall be used.

(13) Measured value of room relative humidity

This property indicates the measured indoor relative humidity in %. The property value range shall be 0x00 to 0x64 (0 to 100%). When the property value of the actual piece of equipment is higher than the upper limit of the property value range, the overflow code 0xFF shall be used. When the property value is lower than the lower limit of the property value range, the underflow code 0xFE shall be used. When the measurement value cannot be returned, 0xFD shall be used.

This property shall be effective even when the value of the “operation status” property (0x80) is OFF (0x31).

(14) Measured value of room temperature

This property indicates the measured room temperature (°C). The property value range shall be 0x81 to 0x7D (-127 to 125°C). When the property value of the actual piece of equipment is higher than the upper limit of the property value range, the overflow code 0x7F shall be used. When the property value is lower than the lower limit of the property value range, the underflow code 0x80 shall be used. When the measurement value cannot be returned, 0x7E shall be used.

This property shall be effective even when the value of the “operation status” property (0x80) is OFF (0x31).

(15) Set temperature value of user remote control

This property indicates the last temperature (°C) set by the user using a remote controller unit for the household air conditioner. This property is mainly used for reference purposes after changing the temperature setting for the household air conditioner by means of a controller, etc.

This property shall be effective even when the value of the “operation status”

property (0x80) is OFF (0x31).

(16) Measured cooled air temperature

This property indicates the measured cooled air temperature (°C) at the outlet. The property value range shall be 0x81 to 0x7D (-127 to 125°C). When the property value of the actual piece of equipment is higher than the upper limit of the property value range, the overflow code 0x7F shall be used. When the property value is lower than the lower limit of the property value range, the underflow code 0x80 shall be used. When the measurement value cannot be returned, 0x7E shall be used.

This property shall be effective even when the value of the “operation status” property (0x80) is OFF (0x31).

(17) Measured outdoor air temperature

This property indicates the measured air temperature (°C) (outdoor atmospheric temperature) where the outdoor unit is installed. The property value range shall be 0x81 to 0x7D (-127 to 125°C). When the property value of the actual piece of equipment is higher than the upper limit of the property value range, the overflow code 0x7F shall be used. When the property value is lower than the lower limit of the property value range, the underflow code 0x80 shall be used. When the measurement value cannot be returned, 0x7E shall be used.

This property shall be effective even when the value of the “operation status” property (0x80) is OFF (0x31).

(18) Relative temperature setting

Used to specify, in 0.1°C increments, the relative temperature relative to the target temperature (i.e. the temperature differential above or below the target temperature the user wishes to achieve) for an operation mode of the household air conditioner and to acquire the current setting. It is also possible to use this property to specify a relative temperature for an operation mode that does not use an absolute value of temperature as the target such as the “automatic” mode. The property value range shall be 0x81 to 0x7D (-12.7 to 12.5°C). 0xF6 shall be used for a differential of 1.0°C below the target temperature and 0x0A shall be used for a differential of 1.0°C above the target temperature.

When the property value of the actual piece of equipment is higher than the upper limit of the property value range, the overflow code 0x7F shall be used. When the property value is lower than the lower limit of the property value range, the

underflow code 0x80 shall be used. When the setting cannot be returned, 0x7E shall be used.

This property shall be effective even when the value of the “operation status” property (0x80) is OFF (0x31).

(19) Air flow rate setting

Used to specify the air flow rate or to specify using the function to automatically control the air flow rate, and to acquire the current setting. The air flow rate shall be selected from among the 8 levels predefined in the 0x31 to 0x38 range. When the automatic air flow rate control function is used, the property value shall be 0x41.

The air flow rate values for the 8 levels may be defined freely, as long as 0x31 and 0x38 are used for the minimum and maximum air flow rates, respectively.

This property shall be effective even when the value of the “operation status” property (0x80) is OFF (0x31). For “Life watching service,” “Announcement at status change” is mandatory.

(20) Automatic control of air flow direction setting

Used to specify whether or not to use the automatic air flow direction control function, to specify the plane(s) (vertical and/or horizontal) in which the automatic air flow direction control function is to be used, and to acquire the current setting. Automatic (vertical and horizontal) = 0x41, non-automatic = 0x42, automatic (vertical) = 0x43, automatic (horizontal) = 0x44

It is only required to implement the property values that correspond to the functions provided by the actual piece of equipment in which this class is implemented.

This property shall be effective even when the value of the “operation status” property (0x80) is OFF (0x31).

(21) Automatic swing of air flow setting

Used to specify whether or not to use the automatic air flow swing function, to specify the plane(s) (vertical and/or horizontal) in which the automatic air flow swing function is to be used, and to acquire the current setting.

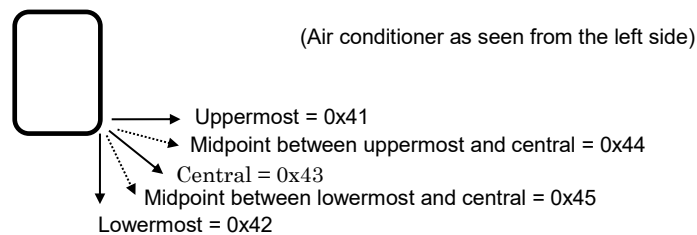
Automatic air flow swing function not used = 0x31, used (vertical) = 0x41, used (horizontal) = 0x42, used (vertical and horizontal) = 0x43

It is only required to implement the property values that correspond to the functions provided by the actual piece of equipment in which this class is implemented.

(22) Air flow direction (vertical) setting

Used to specify the air flow direction in the vertical plane by selecting a pattern from among the 5 predefined patterns and to acquire the current setting.

Uppermost = 0x41, lowermost = 0x42, central = 0x43, midpoint between uppermost and central = 0x44, midpoint between lowermost and central = 0x45



It is only required to implement the property values that correspond to the directions supported by the actual piece of equipment in which this class is implemented. Applicability of this property to the automatic air flow swing function shall be equipment-dependent.

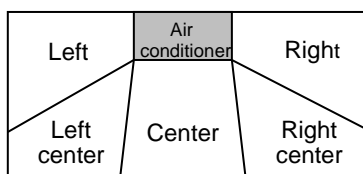
(23) Air flow direction (horizontal) setting

Used to specify the air flow direction(s) in the horizontal plane by selecting a pattern (i.e. “left,” “midpoint between left and central,” “central,” “midpoint between right and central” or “right” or a combination of two or more of the 5 directions; see the table below (○ = active)), and to acquire the current setting. It is only required to implement the property values that correspond to the directions supported by the actual piece of equipment in which this class is implemented. Applicability of this property to the automatic air flow swing function shall be equipment-dependent. (Before "Version 2.01 Release a," the air flow directions, right=0x41, left=0x42, central=0x43 and left-right=0x44 were allocated as in table below.)

Code	Left	Left center	Center	Right center	Right	Remarks	Code	Left	Left center	Center	Right center	Right	Remarks
0x41	×	×	×	○	○	Earlier version "Right"							
42	○	○	×	×	×	Earlier version "Left"							
43	×	○	○	○	×	Earlier version "Center"							
44	○	○	×	○	○	Earlier	0x60	○	×	×	×	×	

						version "Left-right"									
51	×	×	×	×	○		61	○	×	×	×	○			
52	×	×	×	○	×		62	○	×	×	○	×			
0x53: Not used (because of 0x41 = earlier version "right")							63	○	×	×	○	○			
54	×	×	○	×	×		64	○	×	○	×	×			
55	×	×	○	×	○		65	○	×	○	×	○			
56	×	×	○	○	×		66	○	○	×	○	○	×		
57	×	×	○	○	○		67	○	×	○	○	○			
58	×	○	×	×	×		0x68: Not used (because of 0x42 = earlier version "left")								
59	×	○	×	×	○		69	○	○	×	×	○			
5A	×	○	×	○	×		6A	○	○	×	○	×			
5B	×	○	×	○	○		0x6B: Not used (because of 0x44 = earlier version "left-right")								
5C	×	○	○	×	×		6C	○	○	○	×	×			
5D	×	○	○	×	○		6D	○	○	○	×	○			
0x5E: Not used (because of 0x43 = earlier version "center")							6E	○	○	○	○	×			
5F	×	○	○	○	○		6F	○	○	○	○	○			

The five directions are as indicated at right.



(Top view)

(24) Special state

This property indicates when the household air conditioner is in a “special” state, namely, the “defrosting,” “preheating,” or “heat removal” state.

0x41, 0x42 and 0x43 shall be used for the “defrosting,” “preheating,” and “heat removal” states, respectively. When the air conditioner is in a state other than the “defrosting,” “preheating” and “heat removal” states, 0x40 shall be used.

The “preheating” state shall mean a state in which the compressor is being preheated with the indoor unit fan rotating at a low speed or not rotating, after the heating function is activated or after completion of a defrosting cycle, to allow the air conditioner to supply warm air.

The “heat removal” state shall mean a state in which a fan (the indoor unit fan in most cases) is rotating and the refrigerating cycle is operating to release the residual heat from the air conditioner after the air conditioner is turned off (especially after being used in the heating mode).

This property shall be effective even when the value of the “operation status” property (0x80) is OFF (0x31).

(25) Non-priority state

This property indicates when the household air conditioner is in a “non-priority”

state. An example of a household air conditioner (indoor unit) in a “non-priority” state would be one that shares an outdoor unit with another air conditioner (indoor unit) and cannot operate in some of its operating modes because of limitations imposed by the operating mode of the other air conditioner (indoor unit).

0x40 and 0x41 shall be used for the “normal operation” and “non-priority” states, respectively.

This property shall be effective even when the value of the “operation status” property (0x80) is OFF (0x31).

(26) Ventilation function setting

Used to specify whether or not to use the ventilation function of the household air conditioner, to specify the ventilation direction, and to acquire the current setting.

Ventilation function ON (outlet direction) = 0x41, ventilation function OFF = 0x42, ventilation function ON (intake direction) = 0x43, ventilation function ON (intake and outlet directions) = 0x44

This property shall be effective even when the value of the “operation status” property (0x80) is OFF (0x31).

(27) Humidifier function setting

Used to specify whether or not to use the humidifier function of the household air conditioner, and to acquire the current setting. Humidifier function ON = 0x41, humidifier function OFF = 0x42

This property shall be effective even when the value of the “operation status” property (0x80) is OFF (0x31).

(28) Ventilation air flow rate setting

Used to specify the ventilation air flow rate by selecting a level from among the 8 predefined levels (0x31 to 0x38) or to specify using the function to automatically control the ventilation air flow rate (0x41 = automatic ventilation air flow rate control used), and to acquire the current setting.

The ventilation air flow rate values for the 8 levels may be defined freely, as long as 0x31 and 0x38 are used for the minimum and maximum ventilation air flow rates, respectively.

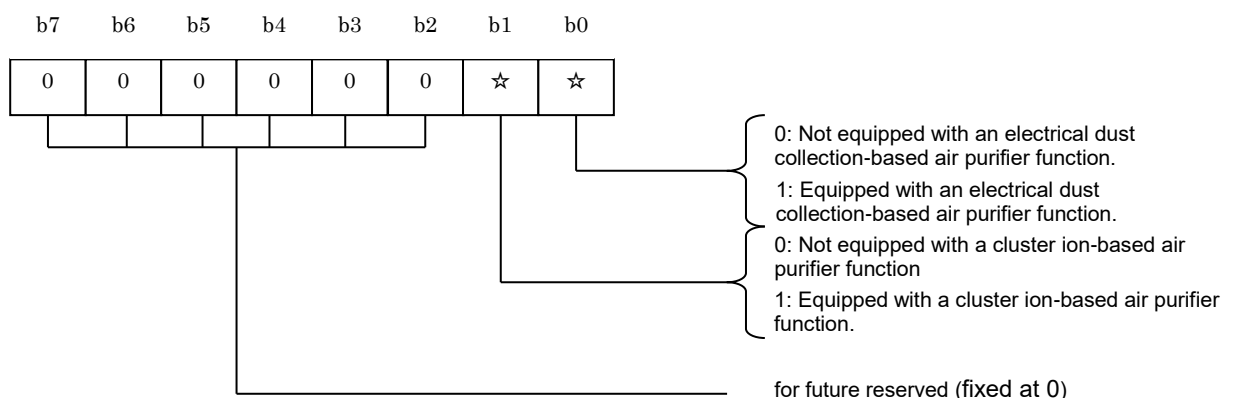
This property shall be effective even when the value of the “operation status” property (0x80) is OFF (0x31).

(29) Degree of humidification setting

Used to specify the amount of moisture to add for humidification by selecting a level from among the 8 predefined levels (0x31 to 0x38) or to specify using the function to automatically control the amount of moisture to add (0x41 = automatic control used), and to acquire the current setting. The moisture values for the 8 levels may be defined freely, as long as 0x31 and 0x38 are used for the minimum and maximum amounts, respectively. This property shall be effective even when the value of the “operation status” property (0x80) is OFF (0x31).

(30) Mounted air cleaning method

This property indicates, in bitmap format, the air purifier function(s) supported by the air conditioner. A value of “0” for Bit 0 or Bit 1 shall mean that the air conditioner is not equipped with an electrical dust collection-based or cluster ion-based air purifier function, respectively, and a value of “1” for Bit 0 or Bit 1 shall mean that the air conditioner is equipped with an electrical dust collection-based or cluster ion-based air purifier function, respectively.



This property shall be effective even when the value of the “operation status” property (0x80) is OFF (0x31).

(31) Air purifier function setting

An 8-element array is used to specify, for each type of air purifier function, whether or not to use the air purifier function, whether or not to use the function to automatically control the degree of air purification, the degree of air purification to achieve with the air purifier function when the function to automatically control the degree of air purification is not used, and to acquire the current settings.

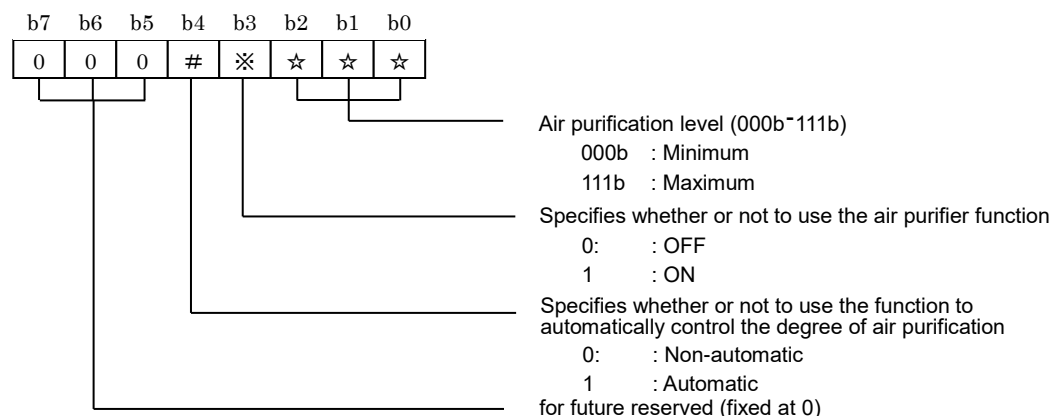
Each element of the array is used for a different type of air purifier function:

Element 0: Electrical dust collection type

Element 1: Cluster ion type

Elements 2 to 7: Reserved for future use.

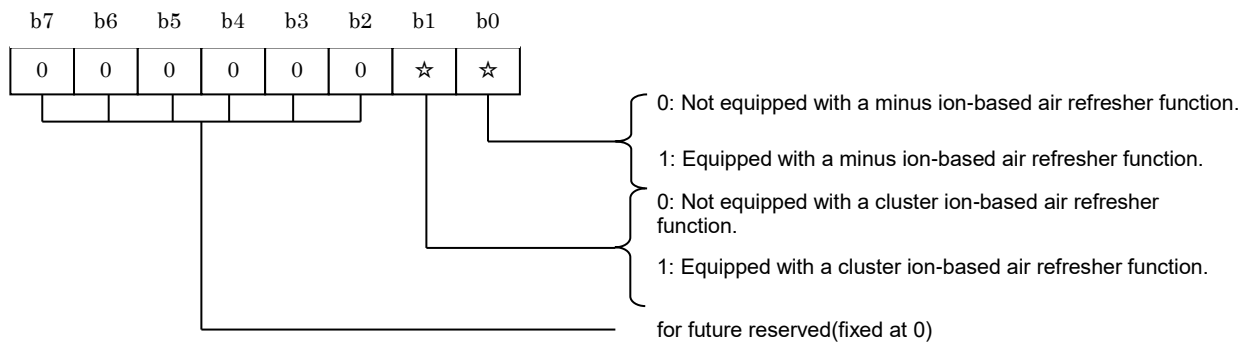
The size of each element is 1 byte. Bits 0 through 2 are used to specify the degree of air purification to achieve with the air purifier function by selecting a level from the 8 predefined levels (000b to 111b). The degree of air purification for the 8 levels may be defined freely, as long as 000b and 111b are used for the lowest and highest levels, respectively. Bit 3 specifies whether or not to use the air purifier function (“OFF” when the value of Bit 3 is “0” and “ON” when the value of Bit 3 is “1”). Bit 4 specifies whether or not to use the function to automatically control the degree of air purification for the air purifier function (“non-automatic” when the value of Bit 4 is “0” and “automatic” when the value of Bit 4 is “1”). When the value of Bit 4 is “1” (automatic), the degree of air purification specified by Bits 0 through 2 becomes ineffective. The figure below illustrates the composition of an element.



This property shall be effective even when the value of the “operation status” property (0x80) is OFF (0x31).

(32) Mounted air refresh method

This property indicates, in bitmap format, the air refresher function(s) supported by the air conditioner. A value of “0” for Bit 0 or Bit 1 shall mean that the air conditioner is not equipped with a minus ion-based or cluster ion-based air refresher function, respectively, and a value of “1” for Bit 0 or Bit 1 shall mean that the air conditioner is equipped with a minus ion-based or cluster ion-based air refresher function, respectively.



This property shall be effective even when the value of the “operation status” property (0x80) is OFF (0x31).

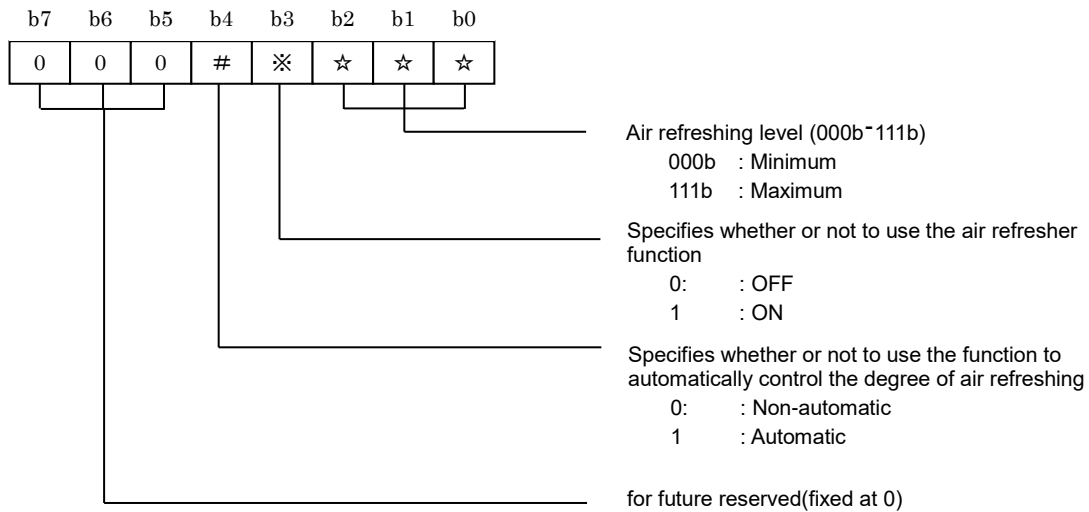
(33) Air refresher function setting

An 8-element array is used to specify, for each type of air refresher function, whether or not to use the air refresher function, whether or not to use the function to automatically control the degree of air refreshing, the degree of air refreshing to achieve with the air refresher function when the function to automatically control the degree of air refreshing is not used, and to acquire the current settings.

Each element of the array is used for a different type of air refresher function:

- Element 0: Negative ion type
- Element 1: Cluster ion type
- Elements 2 to 7: Reserved for future use.

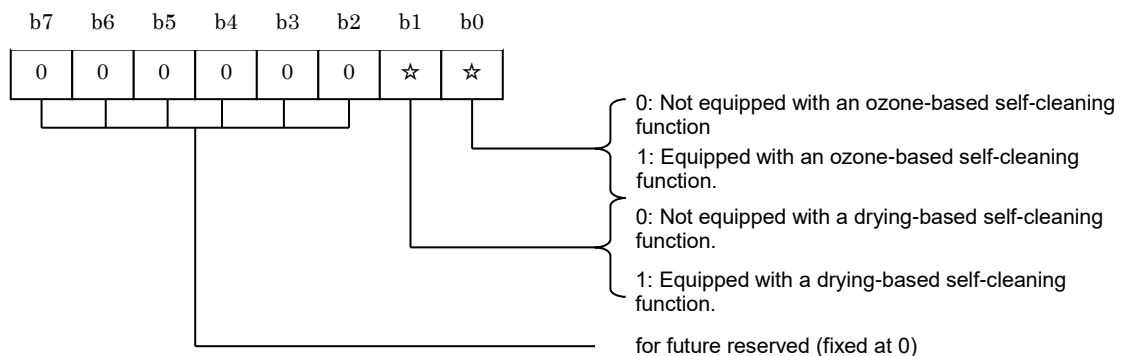
The size of each element is 1 byte. Bits 0 through 2 are used to specify the degree of air refreshing to achieve with the air refresher function by selecting a level from the 8 predefined levels (000b to 111b). The degree of air refreshing for the 8 levels may be defined freely, as long as 000b and 111b are used for the lowest and highest levels, respectively. Bit 3 specifies whether or not to use the air refresher function (“OFF” when the value of Bit 3 is “0” and “ON” when the value of Bit 3 is “1”). Bit 4 specifies whether or not to use the function to automatically control the degree of air refreshing for the air refresher function (“non-automatic” when the value of Bit 4 is “0” and “automatic” when the value of Bit 4 is “1”). When the value of Bit 4 is “1” (automatic), the degree of air refreshing specified by Bits 0 through 2 becomes ineffective. The figure below illustrates the composition of an element.



This property shall be effective even when the value of the “operation status” property (0x80) is OFF (0x31).

(34) Mounted self-cleaning method

This property indicates, in bitmap format, the self-cleaning function(s) supported by the air conditioner. A value of “0” for Bit 0 or Bit 1 shall mean that the air conditioner is not equipped with an ozone-based or drying-based self-cleaning function, respectively, and a value of “1” for Bit 0 or Bit 1 shall mean that the air conditioner is equipped with an ozone-based or drying-based self-cleaning function, respectively.



This property shall be effective even when the value of the “operation status” property (0x80) is OFF (0x31).

(35) Self-cleaning function setting

An 8-element array is used to specify, for each type of self-cleaning function,

whether or not to use the self-cleaning function, whether or not to use the function to automatically control the degree of self-cleaning, the degree of self-cleaning to achieve with the self-cleaning function when the function to automatically control the degree of self-cleaning is not used, and to acquire the current settings.

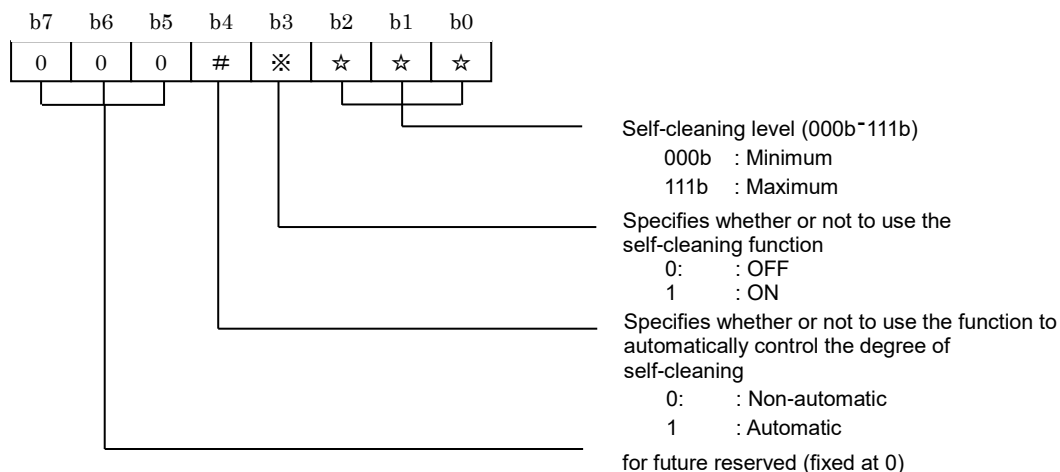
Each element of the array is used for a different type of self-cleaning function:

Element 0: Ozone-type

Element 1: Drying-type

Elements 2 to 7: Reserved for future use.

The size of each element is 1 byte. Bits 0 through 2 are used to specify the degree of self-cleaning to achieve with the self-cleaning function by selecting a level from the 8 predefined levels (000b to 111b). The degree of self-cleaning for the 8 levels may be defined freely, as long as 000b and 111b are used for the lowest and highest levels, respectively. Bit 3 specifies whether or not to use the self-cleaning function (“OFF” when the value of Bit 3 is “0” and “ON” when the value of Bit 3 is “1”). Bit 4 specifies whether or not to use the function to automatically control the degree of self-cleaning for the self-cleaning function (“non-automatic” when the value of Bit 4 is “0” and “automatic” when the value of Bit 4 is “1”). When the value of Bit 4 is “1” (automatic), the degree of self-cleaning specified by Bits 0 through 2 becomes ineffective. The figure below illustrates the composition of an element.



This property shall be effective even when the value of the “operation status” property (0x80) is OFF (0x31).

(36) Special function setting

Used to specify the “special function” to use in the mode specified by the “operation

mode setting” property (0xB0), and to acquire the current setting. 0x41, 0x42, 0x43 and 0x44 shall be used for the clothes dryer function, condensation suppressor function, mite and mold control function and active defrosting function, respectively. When none of the 4 special functions are specified, 0x40 shall be used. 0x45 and succeeding values shall be reserved for future use.

In cases where any one of the special functions is designed in such a way that setting the value for that function in the “special function’ setting” property necessitates an “operation mode setting” property (0xB0) value change to ensure consistency between the content of the “operation mode setting” property and the content of the “special function’ setting” property, a means shall be provided to automatically make any required change to the content of the “operation mode setting” property. For instance, if the clothes dryer function is designed to only operate in the “heating” mode, the “operation mode setting” property value must be changed to the value for the “heating” mode whenever the clothes dryer function is specified and the “operation mode setting” property value is that for a function other than the “heating” mode. However, the relationship between the two properties shall be implementation-dependent and is not specified in this ECHONET Specification. It is only required to implement the property values that correspond to the functions provided by the actual piece of equipment in which this class is implemented. This property shall be effective even when the value of the “operation status” property (0x80) is OFF (0x31).

(37) Operation status of components

This property indicates the operation status of the air conditioner components in bitmap format.

Bit 0: Operation status of the compressor:

0: Not operating

1: In operation

Bit 1: Operation status of the thermostat:

0: Thermostat OFF

1: Thermostat ON

Bits 2 to 7: Reserved for future use.

The “thermostat OFF” state shall mean a state in which “the air conditioner is in operation but the target temperature has been achieved (i.e. the difference between the room temperature and the room temperature setting is less than the specified

value) and no heat exchange is being made.” The “thermostat ON” state shall mean a state in which “the difference between the room temperature and the room temperature setting is equal to or more than the specified value and heat exchange is being made to achieve the target temperature.”

This property shall be effective even when the value of the “operation status” property (0x80) is OFF (0x31).

(38) Thermostat setting override function

Used to specify whether or not the household air conditioner shall operate ignoring its thermostat setting.

Normal setting = 0x40, thermostat setting override function ON = 0x41, thermostat setting override function OFF = 0x42

The “normal setting” mode is a mode in which the air conditioner is dynamically and automatically switched from the “thermostat ON” state to the “thermostat OFF” state or from the “thermostat OFF” state to the “thermostat ON” state as appropriate depending on the room and outdoor temperatures (The air conditioner remains in operation even after it is switched to the “thermostat OFF” state). The “thermostat setting override function ON” mode is a mode in which the air conditioner continues performing heat exchange ignoring the temperature setting and the “thermostat setting override function OFF” mode is a mode in which the air conditioner performs no heat exchange regardless of the temperature setting.

This property shall be effective even when the value of the “operation status” property (0x80) is OFF (0x31).

(39) Air purification mode setting

Used to turn on (0x41)/ off (0x42) the air purification function mode of the household air conditioner, and to acquire the current setting.

This property shall be effective even when the value of the “Operation status” property (0x80) is OFF (0x31).

(40) Buzzer

A buzzer sound is generated by setting 0x41 for this property for home air conditioners.

If generating a buzzer sound in conjunction with setting other property values, a control request message is sent by storing this property on the same message. In addition, a control request message for this property can also be sent before or after transmission of control request messages for a different property value setting by a

separate message. It is desired for a write request for this property to be transmitted at a timing when the buzzer can be sounded within a period of time when operation execution for a different property value setting can be recognized.

If setting only the generation of the buzzer sound, transmit a control request message for only this property.

As the operation of the device associated with the property value setting, the timing at which the buzzer is generated, the concrete type of buzzer sound, and the continuation period are dependent on the device, there are no specific provisions for these items.

(41) ON timer-based reservation setting

Used to specify whether or not to use the ON timer (time-based reservation function, relative time-based reservation function or both), and to acquire the current setting.

This property is used in combination with the “ON timer setting (time)” or “ON timer setting (relative time)” property.

Both the time- and relative time-based reservation functions are ON = 0x41, both reservation functions are OFF = 0x42, time-based reservation function is ON = 0x43, relative time-based reservation function is ON = 0x44

This property shall be effective even when the value of the “operation status” property (0x80) is OFF (0x31).

(42) ON timer setting (time)

When the ““ON timer-based reservation’ setting” property value is a value for using the time-based reservation function, this property is used to specify the time when the air conditioner will be turned on in the “hour (0x00 to 0x17 (0 to 23)) : minute (0x00 to 0x3B (0 to 59))” format, and to acquire the current setting. The higher- and lower-order bytes shall be used for the “hour” and “minute” values, respectively.

This property shall be effective even when the value of the “operation status” property (0x80) is OFF (0x31).

(43) ON timer setting (relative time)

When the ““ON timer-based reservation’ setting” property value is a value for using the relative time-based reservation function, this property is used to specify the time when the air conditioner will be turned on, in terms of a relative time relative to the current time, and to acquire the current setting. The “hour (0x00 to 0xFF (0 to 255)) : minute (0x00 to 0x3B (0 to 59))” format shall be used, with the higher- and lower-order bytes used for the “hour” and “minute” values, respectively.

This property shall be effective even when the value of the “operation status” property (0x80) is OFF (0x31).

(44) OFF timer-based reservation setting

Used to specify whether or not to use the OFF timer (time-based reservation function, relative time-based reservation function or both), and to acquire the current setting.

This property is used in combination with the “OFF timer setting (time)” or “OFF timer setting (relative time)” property.

Both the time- and relative time-based reservation functions are ON = 0x41, both reservation functions are OFF = 0x42, time-based reservation function is ON = 0x43, relative time-based reservation function is ON = 0x44

This property shall be effective even when the value of the “operation status” property (0x80) is OFF (0x31).

(45) OFF timer setting (time)

When the ““OFF timer-based reservation’ setting” property value is a value for using the time-based reservation function, this property is used to specify the time when the air conditioner will be turned off in the “hour (0x00 to 0x17 (0 to 23)) : minute (0x00 to 0x3B (0 to 59))” format, and to acquire the current setting. The higher- and lower-order bytes shall be used for the “hour” and “minute” values, respectively.

This property shall be effective even when the value of the “operation status” property (0x80) is OFF (0x31).

(46) OFF timer setting (relative time)

When the ““OFF timer-based reservation’ setting” property value is a value for using the relative time-based reservation function, this property is used to specify the time when the air conditioner will be turned off, in terms of a relative time relative to the current time, and to acquire the current setting. The “hour (0x00 to 0xFF (0 to 255)) : minute (0x00 to 0x3B (0 to 59))” format shall be used, with the higher- and lower-order bytes used for the “hour” and “minute” values, respectively.

This property shall be effective even when the value of the “operation status” property (0x80) is OFF (0x31).

3. 2. 2 Requirements for ventilation fan class

Class group code : 0x01

Class code : 0x33

Instance code : 0x01–0x7F (0x00: All-instance specification code)

Property name	EPC	Contents of property	Data type	Data size	Unit	Access rule	Mandatory	Announcement at status change	Remark
		Value range (decimal notation)							
Operation status	0x80	This property indicates the ON/OFF status.	unsigned char	1 byte	—	Set	○	○	
		ON=0x30, OFF=0x31				Get	○		
Ventilation auto setting	0xBF	Auto/Non-auto	unsigned char	1 byte	–	Set/Get			
		Auto = 0x41, Non-auto = 0x42							
Set value of ventilation air flow rate	0xA0	Sets ventilation air flow rate level and ventilation air flow rate auto status. This property specifies ventilation air flow rate level (8-step).	unsigned char	1 byte	–	Set/Get			
		Ventilation air flow rate auto status = 0x41 Ventilation air flow rate level = 0x31–0x38							

Note: In the “Announcement at status change” column, ○ denotes mandatory processing when the property is implemented.

(1) Operation status (inherited from the device object super class property)

This property indicates the operation/stop status of the ventilation fan. The property value of 0x30/0x31 shall be associated with both operation and stop.

(2) Ventilation auto setting

Sets either Auto or Non-auto for the auto ventilating operation.

Auto = 0x41, Non-auto = 0x42

(3) Set value of ventilation air flow rate

This property indicates the ventilation air flow rate level and the ventilation air flow rate auto status. The property value of the ventilation air flow rate auto status shall be 0x41. The air flow rate level shall be set (8-step) and take a property value of 0x31 to 0x38. The values for the 8 levels may be defined freely, as long as 0x31 and 0x38 are used for the minimum and maximum air flow rates, respectively.

3. 2. 3 Requirements for air conditioner ventilation fan class

Class group code : 0x01

Class code : 0x34

Instance code : 0x01–0x7F (0x00: All-instance specification code)

Property name	EPC	Contents of property	Data type	Data size	Unit	Access rule	Mandatory	Announcement at status change	Remark
		Value range (decimal notation)							
Operation status	0x80	This property indicates the ON/OFF status.	unsigned char	1 byte	—	Set	○	○	
		ON=0x30, OFF=0x31							
Set value of room relative humidity	0xB4	Set value of relative humidity at auto ventilating operation.	unsigned char	1 byte	%	Set/Get			
		0x00–0x64, (0–100%)							
Ventilation auto setting	0xBF	Auto/Non-auto	unsigned char	1 byte	–	Set/Get			
		Auto = 0x41, Non-auto = 0x42							
Measured value of room relative humidity	0xBA	Measured value of room relative humidity	unsigned char	1 byte	%	Get			
		0x00–0x64 (0–100%)							
Set value of ventilation air flow rate	0xA0	Sets ventilation air flow rate level and ventilation air flow rate auto status. This property specifies ventilation air flow rate level (8-step).	unsigned char	1 byte	–	Set/Get			
		Ventilation air flow rate auto status = 0x41 Ventilation air flow rate level = 0x31–0x38							
Heat exchanger operation setting	0xE0	This property indicates ON/OFF status of heat exchanger.	unsigned char	1 byte	–	Set/Get			
		Heat exchanger ON = 0x41, OFF=0x42							
Measured value of CO ₂ concentration	0xC0	This property indicates measured value of CO ₂ concentration in ppm.	unsigned short	2 bytes	ppm	Get			
		0x0000–0xFFFFD (0–65533 ppm)							
Smoke (cigarette) detection status	0xC1	This property indicates smoke (cigarette) detection status.	unsigned char	1 byte	–	Get			
		Smoke (cigarette) detection status found = 0x41 Smoke (cigarette) detection status not found = 0x42							
Pollution detection status	0xC2	This property indicates pollution detection status	unsigned char	1 byte	–	Get			
		Pollution detected = 0x41 Pollution non-detected = 0x42							

Note: In the “Announcement at status change” column, ○ denotes mandatory processing when the property is implemented.

(1) Operation status (inherited from the device object super class property)

This property indicates the operation/stop status of the air conditioner. The property value of 0x30/0x31 shall be associated with both operation and stop.

(2) Set value of room relative humidity

Sets the set value of room relative humidity in the auto ventilating operation in %. If the measured value of room relative humidity exceeds the set value of room relative humidity when the “ventilation auto status” is set to Auto, the “operation status” switches to ON. The property value range shall be 0x00 to 0x64 (0 to 100%). When the property value of the actual device exceeds the property value range, the overflow code 0xFF shall be used. When the property value falls below the property value range, the underflow code 0xFE shall be used.

(3) Ventilation auto setting

Sets either Auto or Non-auto for the auto ventilating operation.

Auto = 0x41, Non-auto = 0x42

(4) Measured value of room relative humidity

Sets the measured value of room relative humidity in %. The property value range shall be 0x00 to 0x64 (0 to 100%). When the property value of the actual device is higher than the property value range, the overflow code 0xFF shall be used. When the property value is lower than the property value range, the underflow code 0xFE shall be used.

(5) Set value of ventilation air flow rate

This property indicates the ventilation air flow rate level and the ventilation air flow rate auto status. The property value of the ventilation air flow rate auto status shall be 0x41. The air flow rate level shall be set (8-step) and take a property value of 0x31 to 0x38. The values for the 8 levels may be defined freely, as long as 0x31 and 0x38 are used for the minimum and maximum air flow rates, respectively.

(6) Heat exchange operation setting

Sets ON/OFF as the operation status of the heat exchange function.

Heat exchange function ON = 0x41, OFF = 0x42

(7) Measured value of CO₂ concentration

This property indicates the measured value of CO₂ concentration in ppm. The property value range shall be 0x0000 to 0xFFFFD (0 to 65533 ppm). When the property value of the actual device is higher than the property value range, the overflow code 0xFFFF shall be used. When the property value is lower than the

property value range, the underflow code 0xFFFE shall be used.

(8) Smoke (cigarette) detection status

This property indicates whether a smoke (cigarette) detection status is found or not. “Smoke (cigarette) detection status found” shall be 0x41 and “Smoke (cigarette) detection status not found” shall be 0x42.

3. 2. 4 Requirements for air cleaner class

Class group code : 0x01

Class code : 0x35

Instance code : 0x01–0x7F (0x00: All-instance specification code)

Property name	EPC	Contents of property	Data type	Data size	Unit	Access rule	Mandatory	Announcement at status change	Remark
		Value range (decimal notation)							
Operation status	0x80	This property indicates the ON/OFF status.	unsigned char	1 byte	—	Set	○	○	
		ON=0x30, OFF=0x31				Get	○		
Filter change notice	0xE1	Filter change time notice found/not found	unsigned char	1 byte	–	Get			
		Found = 0x41, Not found = 0x42							
Air flow rate setting	0xA0	Sets air flow rate level and air flow rate auto status. The ventilation air flow rate is specified (8-step).	unsigned char	1 byte	–	Set/Get			
		Ventilation air flow rate auto status = 0x41 Ventilation air flow rate level = 0x31–0x38							
Smoke (cigarette) detection status	0xC1	This property indicates smoke (cigarette) detection status.	unsigned char	1 byte	–	Get			
		Smoke (cigarette) detection status found = 0x41 Smoke (cigarette) detection status not found = 0x42							
Optical catalyst operation setting	0xC2	Optical catalyst ON/OFF status	unsigned char	1 byte	–	Set/Get			
		Optical catalyst ON = 0x41 Optical catalyst OFF = 0x42							
Air pollution detection status	0xC0	This property indicates air pollution detection status	unsigned char	1 byte	–	Get			
		Air pollution detected = 0x41 Air pollution non-detected = 0x42							

Note: In the “Announcement at status change” column, ○ denotes mandatory processing when the property is implemented.

(1) Operation status (inherited from the device object super class property)

This property indicates the operation/stop status of the air cleaner. The property value of 0x30/0x31 shall be associated with both operation and stop.

(2) Filter change notice

This property indicates whether notification of filter change is to be made or not. This property shall disclose that the time has come to change the air cleaner filter. The transition from “Filter change time notice found” to “Filter change time notice not found” shall be achievable using the reset switch on the air cleaner body, etc.

Found = 0x41, not found = 0x42

(3) Air flow rate setting

This property indicates the air flow rate level and air flow rate auto status. The property value of the air flow rate auto status shall be 0x41. The air flow rate level shall be set (8-step) and take a property value of 0x31 to 0x38. The values for the 8 levels may be defined freely, as long as 0x31 and 0x38 are used for the minimum and maximum air flow rates, respectively.

(4) Smoke (cigarette) detection status

This property indicates whether smoke (cigarette) detection status is found or not. “Smoke (cigarette) detection status found” = 0x41 and “Smoke (cigarette) detection status not found” = 0x42 shall be specified.

(5) Optical catalyst operation setting

This property indicates the operation status of the optical catalyst function as ON/OFF. “Optical catalyst ON” = 0x41 and “Optical catalyst OFF” = 0x42 shall be specified.

(6) Air pollution detection status

This property indicates air pollution detection status. Air pollution detected = 0x41 and Air pollution non-detected = 0x42 shall be specified.

3. 2. 5 Requirements for humidifier class

Class group code : 0x01

Class code : 0x39

Instance code : 0x01–0x7F (0x00: All-instance specification code)

Property name	EPC	Contents of property	Data type	Data size	Unit	Access rule	Mandatory	Announcement at status change	Remark
		Value range (decimal notation)							
Operation status	0x80	This property indicates the ON/OFF status.	unsigned char	1 byte	—	Set	○	○	
		ON=0x30, OFF=0x31				Get	○		
Humidifying setting 1	0xC0	Sets value of relative humidity and get setting status	unsigned char	1 byte		Set/Get	○		Note1
		0x00–0x64, (0–100%) Automatic setting =0x70, Continuous operation =0x71, intermittent operation =0x72							
Humidifying setting 2	0xC1	Sets humidifying level by 3 steps	unsigned char	1 byte		Set/Get	○		Note1
		Humidifying levels =0x31–0x33 Automatic setting =0x70, Continuous operation =0x71, intermittent operation =0x72							
Measured value of relative humidity	0xB4	This property indicates measured value of relative humidity	unsigned char	1 byte	–	Get			
		0x00–0x64, (0–100%)							
Reservation set of OFF timer	0x94	Sets reservation ON/OFF and set setting status	unsigned char	1 byte		Set/Get			
		Reservation ON =0x41, OFF =0x42							
Relative time value set of OFF timer	0x96	Sets timer value HH:MM and get updated time	unsigned char × 2	2 bytes		Set/Get			
		0-0x17: 0-0x3B (=0-23): (=0-59)							
Ion emission setting	0xC2	Sets ON/OFF of ion emission and gets setting status	unsigned char	1 byte	–	Set/Get			
		Emission ON= 0x41, OFF=0x42							
Implemented ion emission method	0xC3	Sets ion emission method equipped in humidifier by bit map	unsigned char	1 byte	–	Get			
		Bit 0: negative ion method, Bit 1: cluster ion method,							
Special operation mode setting	0xC4	Sets special operation mode and gets setting status. Specifies by bit map	unsigned short	1 byte		Set/Get			
		Specifies 1 for effective setting Bit 0: Throat dry prevention Bit 1: Quiet operation Bit 2–7: reserved for future use							
Water amount level	0xC5	This property indicates water amount level in water tank by 6 steps.	unsigned char	1 byte	–	Get			
		0x40: empty 0x41–0x45: minimum to maximum level							

Note: In the “Announcement at status change” column, ○ denotes mandatory processing when the property is implemented.

Note1: Either the “humidifying setting 1” or “humidifying setting 2” property must be implemented.

(1) Operation status (inherited from super class property)

Sets operation ON/OFF of humidifier and gets operation status. Operation ON/OFF corresponds to 0x30/0x31 respectively. For humidifiers, access rule “Set” must be implemented.

(2) Humidifying setting 1

Sets relative humidity and continuous operation status and gets setting status. Relative humidity is set in the unit of % and the humidifier is operated according to the property value as a target.

Furthermore, the property value when an automatic humidity detection algorithm of humidifier determines the target is 0x70, the property value of continuous operation is 0x71 and the property value of intermittent operation at a specified interval is 0x72.

Detailed intermittent operation interval is not specified. Either the humidifying set 1 or the humidifying set 2 is mandatory to be implemented.

(3) Humidifying set 2

Sets humidifying level and continuous operation status, and gets setting status.

Humidifying levels are decided by 3 steps and take the property values of 0x31 to 0x33. Each value of the humidifying level is not specified. The minimum humidifying is 0x31 and the maximum humidifying is 0x33.

The property value when the target value is automatically decided by calculation algorithm for automatic humidity setting value of the humidifier is 0x70. The property value when the humidifier is operated continuously is 0x71. The property value when the humidifier is operated off and on at a specified interval is 0x72. The details of operation interval are not specified when the humidifier is operated off and on.

Either “Humidifying setting 1” or “Humidifying setting 2” is mandatorily implemented.

(4) Measured value of relative humidity

Expresses a measured value of relative humidity in unit of %. The value range of property is 0x00 to 0x64(100%). When the property value of actual equipment is over the value range of property, an overflow code 0xFF is used. When the property value is less than the value range of property, an underflow code 0xFE is used. When a measurement value cannot be returned, a code 0xFD is used.

(5) Reservation setting of OFF timer

Sets on/off of an OFF timer and gets setting status. The property is related to “Relative

time value setting of OFF timer”. Reservation setting ON=0x41, reservation setting OFF=0x42.

(6) Relative time value setting of OFF timer

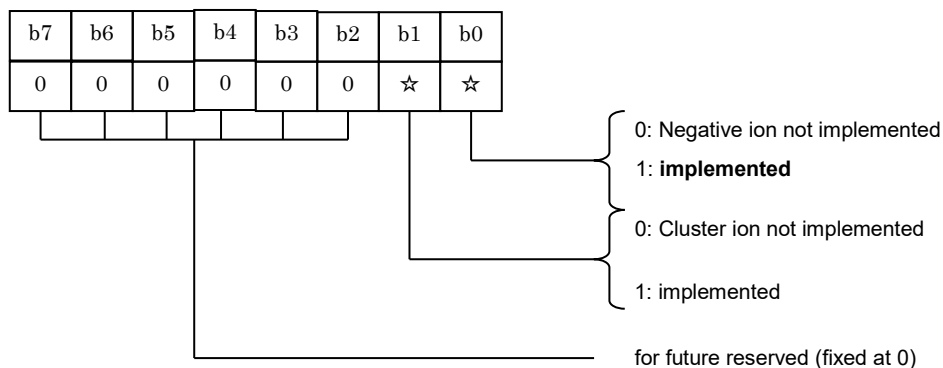
Sets the time when the humidifier turn to OFF and gets updated time when “Reservation setting of OFF timer” is ON. The data format is hour: 0x00-0x17 (0-23 minutes) and minute: 0x00-0x3B (0-59). The property value is taken from the upper bytes in the order of hour and minute.

(7) Ion emission setting

Sets ON/OFF of ion emitting function implemented in humidifier and gets setting status. Ion emitting ON=0x41, ion emitting OFF=0x42.

(8) Implemented ion emission method

Expresses implemented method of ion emission functions by a bit map. As realizing methods, negative ion method and cluster ion method are specified. The details are as follows. The bit 0 means that the realizing method is not implemented, and bit 1 means that the realizing method is implemented.



(9) Water amount level

Expresses an amount of water remained in the tank by 6 steps. Each value of level is not specified. The empty status is 0x40 and full maximum amount status is 0x45.

3. 2. 6 Requirements for electric heater class

Class group code : 0x01

Class code : 0x42

Instance code : 0x01–0x7F (0x00: All-instance specification code)

Property name	EPC	Contents of property	Data type	Data size	Unit	Access rule	Mandatory	Announcement at status change	Remark
		Value range (decimal notation)							
Operation status	0x80	This property indicates the ON/OFF status.	unsigned char	1 byte	—	Set		○	
		ON=0x30, OFF=0x31				Get			
Automatic temperature control setting	0xB1	Used to specify whether or not to use the automatic temperature control function.	unsigned char	1 byte	–	Set/Get			
		Automatic = 0x41, non-automatic = 0x42							
Temperature setting	0xB3	Used to set the temperature.	unsigned char	1 byte	°C	Set/Get	○		
		0x00–0x32 (0–50°C)							
Measured room temperature	0xBB	This property indicates the measured room temperature.	signed char	1 byte	°C	Get			
		0x81–0x7E (-128–126°C)							
Remotely set temperature	0xBC	This property indicates the last temperature (°C) set by the user using a remote controller unit.	unsigned char	1 byte	°C	Get			
		0x00–0x32 (0–50°C)							
Air flow rate setting	0xA0	Used to specify the air flow rate or to specify using the function to automatically control the air flow rate. The air flow rate is selected from among the 8 predefined levels.	unsigned char	1 byte	–	Set/Get			
		Automatic air flow rate control used = 0x41 Air flow rate = 0x31 to 0x38							
ON timer-based reservation setting	0x90	Used to specify whether or not to use the ON timer-based reservation function.	unsigned char	1 byte	–	Set/Get			
		ON timer-based reservation function ON: 0x41 ON timer-based reservation function OFF: 0x42							
ON timer setting (time)	0x91	Used to specify the time for the ON timer-based reservation function in the HH:MM format.	unsigned char × 2	2 bytes	–	Set/Get			
		0–0x17: 0–0x3B (= 0–23): (= 0–59)							
ON timer setting (relative time)	0x92	Used to specify the relative time for the ON timer-based reservation function in the HH:MM format	unsigned char × 2	2 bytes	–	Set/Get			
		0–0x17: 0–0x3B (= 0–23): (= 0–59)							

OFF timer-based reservation setting	0x94	Used to specify whether or not to use the OFF timer-based reservation function.	unsigned char	1 byte	-	Set/Get			
		OFF timer-based reservation function ON: 0x41 OFF timer-based reservation function OFF: 0x42							
OFF timer setting (time)	0x95	Used to specify the time for the OFF timer-based reservation function in the HH:MM format.	unsigned char × 2	2 bytes	-	Set/Get			
		0-0x17: 0-0x3B (= 0-23): (= 0-59)							
Set value of OFF timer relative time	0x96	Timer value HH:MM	unsigned char × 2	2 bytes	-	Set/Get			
		0-0x17: 0-0x3B (= 0-23): (= 0-59)							

Note: In the “Announcement at status change” column, ○ denotes mandatory processing when the property is implemented.

(1) Operation status (inherited from the device object super class property)

This property indicates the operation/stop status of the electric heater. The property value of 0x30/0x31 shall be associated with both operation and stop.

(2) Automatic temperature control setting

This property indicates the operation status ON/OFF setting when the electric heater is operated by the auto temperature setting calculation algorithm of the electric heater body without using “Set temperature value” (EPC = 0xB3) as the target value. This property shall take 0x41 for auto status ON and 0x42 for auto status OFF.

(3) Temperature setting

This property indicates the set temperature value in the current “operation mode” in °C. If the electric heater does not have the “temperature auto setting” function, or if the electric heater having the “temperature auto setting” function is placed in the “non-auto” (0x42) state, the electric heater operates on the assumption that the value of this property is the target temperature value. If the target temperature value indicated by this property is unknown when the “temperature auto setting” function is placed in the “auto” state, this property shall take the value 0xFD (set temperature value unknown).

(4) Measured room temperature

This property indicates the measured value of the room temperature in °C. The property value range shall be 0x81 to 0x7E (-127 to 126°C). When the property value of the actual device is higher than the property value range, the overflow code 0x80 shall be used. When the property value is lower than the property value range, the underflow code 0x7E shall be used.

(5) Remotely set temperature

This property indicates the last temperature (°C) set by the user using a remote controller unit. This property is used for reference purposes after changing the temperature setting for the electric heater by means of a controller, etc.

(6) Air flow rate setting

Used to specify the air flow rate or to specify using the function to automatically control the air flow rate. The air flow rate shall be selected from among the 8 levels predefined in the 0x31 to 0x38 range. When the automatic air flow rate control function is used, the property value shall be 0x41. The air flow rate values for the 8 levels may be defined freely, as long as 0x31 and 0x38 are used for the minimum and maximum air flow rates, respectively.

(7) ON timer-based reservation setting

Sets the reservation ON/OFF of the ON timer. This property is related to the “Set value of ON timer time” or “Set value of ON timer relative time”.

Reservation ON = 0x41, reservation OFF = 0x42

(8) ON timer setting (time)

This property indicates the electric heater ON time with “ON timer reservation status” ON by hour: 0x00 to 0x17 (0 to 23) and minute: 0x00 to 0x3B (0 to 59). The property shall begin with the high-order byte in the order of hour, minute.

(9) ON timer setting (relative time)

This property indicates the electric heater ON time with “ON timer time reservation status” ON by the relative time from the current time. The data format shall be hour: 0x00 to 0x17 (0 to 23) and minute: 0x00 to 0x3B (0 to 59), and the property value shall begin with the high-order byte in the order of hour, minute.

(10) OFF timer-based reservation setting

Sets the reservation ON/OFF of the OFF timer. This property is associated with the “Set value of OFF timer time” or “Set value of OFF timer relative time”.

Reservation ON = 0x41, reservation OFF = 0x42

(11) OFF timer setting (time)

This property indicates the air conditioner OFF time with “OFF timer reservation status” ON by hour: 0x00 to 0x17 (0 to 23) and minute: 0x00 to 0x3B (0 to 59). The

property value shall begin with the high-order byte in the order of hour, minute.

(12) Set value of OFF timer relative time

This property indicates the air conditioner OFF time by the relative time from the current time with “OFF timer reservation status” ON. The data format shall be hour: 0x00 to 0x17 (2 to 23) and minute: 0x00 to 0x3B (0 to 59). The property value shall begin with the high-order byte in the order of hour, minute.

3. 2. 7 Requirements for Fan heater class

Class group code : 0x01

Class code : 0x43

Instance code : 0x01-0x7F (0x00: All-instance specification code)

Property name	EPC	Contents of property	Data type	Data size	Unit	Access rule	Man-datory	Announcement at status change	Remark
		Value range (decimal notation)							
Operation status	0x80	This property indicates the ON/OFF status.	unsigned char	1 byte	—	Set	○	○	
		ON=0x30, OFF=0x31				Get	○		
Temperature setting value	0xB3	Sets the temperature and gets the setting status.	unsigned char	1 byte	°C	Set/Get	○		
		0x00-0x32 (0-50°C)							
Measured temperature	0xBB	This property indicates the measured room temperature.	signed char	1 byte	°C	Get			
		0x81-0x7D (-128-125°C)							
Automatic temperature control setting	0xB1	Sets automatic/non-automatic and gets the setting status	unsigned char	1 byte	-	Set/Get			
		Automatic = 0x41, non-automatic = 0x42							
ON timer reservation setting	0x90	Sets ON/OFF of reservation and gets the setting status.	unsigned char	1 byte	-	Set/Get			
		Reservation ON: 0x41, OFF:0x42 for both time and relative time Timer-based reservation ON:0x43, Relative time reservation ON:0x44							
ON timer setting value (time)	0x91	Sets timer value HH:MM and gets setting status	unsigned char × 2	2 bytes	-	Set/Get			
		0-0x17: 0-0x3B (= 0-23): (= 0-59)							
ON timer setting value (relative time)	0x92	Sets timer value HH:MM and gets the updated time	unsigned char × 2	2 bytes	-	Set/Get			
		0-0x17: 0-0x3B (= 0-23): (= 0-59)							
OFF timer reservation setting	0x94	Sets ON/OFF of reservation and gets setting status	unsigned char	1 byte	-	Set/Get			
		Reservation ON: 0x41, OFF:0x42 for both time and relative time Timer-based reservation ON:0x43, Relative time reservation ON:0x44							
OFF timer setting value (time)	0x95	Sets timer value HH:MM and gets the setting status.	unsigned char × 2	2 bytes	-	Set/Get			
		0-0x17: 0-0x3B (= 0-23): (= 0-59)							
OFF timer value (relative time)	0x96	Sets timer value HH:MM and gets updated time	unsigned char × 2	2 bytes	-	Set/Get			
		0-0x17: 0-0x3B (= 0-23):(= 0-59)							

Extensional operation setting	0xC0	Sets ON/OFF of extensional operation and gets setting status.	unsigned char	1 byte	-	Set/Get			
		Extension ON=0x41, OFF=0x42							
Extensional operation timer time setting value	0xC1	Sets extension time HH:MM and gets the extended time	unsigned char × 2	2 byte	-	Set/Get			
		0-0x17: 0-0x3B (= 0-23):(= 0-59)							
Ion emission setting	0xC2	Sets ON/OFF of ion emission and gets setting status.	unsigned char	1 byte	-	Set/Get			
		Emission ON=0x41, OFF=0x42							
Implemented ion emission method	0xC3	Specifies ion emission method implemented in humidifier by bit map	unsigned char	1 byte	-	Get			
		Bit 0: negative ion method mounting Bit 1: cluster ion method mounting							
Oil amount level	0xC4	Specifies oil amount in the tank by 6 levels.	unsigned char	1 byte	-	Get			
		0x40: empty 0x41-0x45: minimum to maximum levels							

Note: In the “Announcement at status change” column, ○ denotes mandatory processing when the property is implemented.

- (1) Operation status (inherited from the device object super class property)
 Sets the operation/stop status of the fan heater. The property value of 0x30/0x31 shall be associated with both operation and stop. The access rule “Set” must be implemented for fan heaters.
- (2) Temperature setting value
 Sets the temperature value in °C and gets the setting status. The fan heater operates as a target of the property value.
- (3) Measured temperature value
 This property indicates the measured value of the room temperature in °C. The property value range shall be 0x81 to 0x7D. When the property value of the actual device is higher than the property value range, the overflow code 0x7F shall be used. When the property value is lower than the property value range, the underflow code 0x80 shall be used. When a measured temperature cannot be obtained, the code 0x7E shall be used.
- (4) Automatic temperature control setting
 Sets the operation status ON/OFF when the fan heater is operated by the auto temperature setting calculation algorithm of the fan heater body without using “Set temperature value” (EPC = 0xB3) as the target value. This property shall take 0x41 for auto status ON and 0x42 for auto status OFF.

(5) ON timer reservation setting

ON timer reservation setting property specifies whether or not to use the ON timer-based reservation function (i.e. reservation ON or reservation OFF), and to acquire the current setting. This property is related to the “Set value of ON timer time” or “Set value of ON timer relative time”.

Reservation ON = 0x41, reservation OFF = 0x42 for both time reservation and relative time reservation. ON=0x43 for only time reservation, and ON=0x44 for only relative time reservation.

(6) ON timer setting value (time)

This property indicates the fan heater ON time with “ON timer reservation status” ON by hour: 0x00 to 0x17 (0 to 23) and minute: 0x00 to 0x3B (0 to 59). The property shall begin with the high-order byte in the order of hour, minute.

(7) ON timer setting value (relative time)

This property indicates the fan heater ON time with “ON timer reservation status” ON by the relative time from the current time. The data format shall be hour: 0x00 to 0x17 (0 to 23) and minute: 0x00 to 0x3B (0 to 59), and the property value shall begin with the high-order byte in the order of hour, minute.

(8) OFF timer reservation setting

Sets the reservation ON/OFF of the OFF timer. This property is associated with the “Set OFF timer time value” or “Set OFF timer relative time value”.

Reservation ON = 0x41, reservation OFF = 0x42 for both time reservation and relative time reservation. ON=0x43 for only time reservation, and ON=0x44 for only relative time reservation.

(9) OFF timer setting value (time)

Sets the fan heater OFF time with “OFF timer reservation status” ON by hour: 0x00 to 0x17 (0 to 23) and minute: 0x00 to 0x3B (0 to 59). The property value shall begin with the high-order byte in the order of hour, minute.

(10) OFF timer setting value (relative time)

Sets the fan heater OFF time by the relative time from the current time with “OFF timer reservation status” ON. The data format shall be hour: 0x00 to 0x17 (2 to 23) and minute: 0x00 to 0x3B (0 to 59). The property value shall begin with the high-order byte in the order of hour, minute.

(11) Extensional operation setting

Sets ON/OFF of the extensional operation and gets the operation status when the operation status (0x80) is ON (0x30). The property has relation to “Extensional timer time setting value”. Extensional operation ON=0x41, extensional operation OFF=0x42.

(12) Extensional operation timer time setting

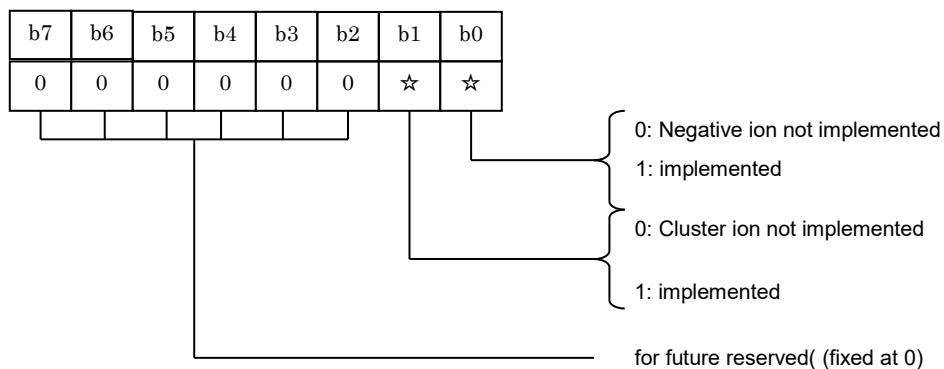
Sets the operation time of the fan heater by relative time from the current time when “extensional operation setting” is ON. The data format shall be hour: 0x00 to 0x17 (2 to 23) and minute: 0x00 to 0x3B (0 to 59). The property value shall begin with the high-order byte in the order of hour, minute.

(13) Ion emission setting

Sets ON/OFF of the ion emission function implemented in the fan heater, and gets the setting status. Ion emission ON=0x41, Ion emission OFF=0x42.

(14) Implemented ion emission method

Expresses the implemented method of ion emission functions by a bit map. As realizing methods, negative ion method and cluster ion method are specified. The details are as follows. The bit 0 means that the realizing method is not implemented, and bit 1 means that the realizing method is implemented.



(15) Oil amount level

Expresses an amount of oil remained in the tank by 6 steps. Each value of level is not specified. The empty status is 0x40 and full maximum amount status is 0x45.

3. 2. 8 Requirements for electric storage heater class

Class group code : 0x01

Class code : 0x55

Instance code : 0x01 to 0x7F (0x00: All-instance specification code)

Property name	EPC	Contents of property	Data type	Data size	Unit	Access rule	Mandatory	Announcement at status change	Remark
		Value range (decimal notation)							
Operation status	0x80	This property indicates the ON/OFF status.	unsigned char	1 byte	—	Set		○	
		ON = 0x30, OFF = 0x31				Get			
Temperature setting	0xB3	This property is used to set a temperature and to acquire the setting status.	unsigned char	1 byte	°C	Set/Get			
		0x00–0x32 (0–50°C)							
Rated power consumption	0xB8	This property indicates the rated power consumption of heat storage, control, weak air flowing, and strong air flowing.	unsigned short × 4	8 bytes	W	Get			
		0x0000–0xFFFD (0–65533W) Heat storage: Control: Weak air flowing: Strong air flowing							
Measured indoor temperature	0xBB	Measured indoor temperature	signed char	1 byte	°C	Get			
		0x81–0x7D (-127–125°C)							
Measured outdoor temperature	0xBE	Measured outdoor temperature	signed char	1 byte	°C	Get			
		0x81–0x7D (-127–125°C)							
Air flow rate setting	0xA0	This property is used to set the air flow level and air flow rate automatic setting and to acquire the setting status.	unsigned char	1 byte	-	Set/Get			
		Air flow rate automatic setting = 0x41 OFF = 0x31, Weak = 0x32, Strong = 0x33							
Fan operation status	0xA1	This property indicates the fan operation status.	unsigned char	1 byte		Get		○	
Heat storage operation status	0xC0	This property indicates the heat storage ON/OFF status.	unsigned char	1 byte		Get	○	○	
		ON = 0x30, OFF = 0x31							
Heat storage temperature setting	0xC1	This property is used to set the heat storage temperature setting and to acquire the setting status.	unsigned short	2 bytes	°C	Set/Get	○		
		0x0000–0x3E8 (0–1000°C)							
Measured stored heat temperature	0xC2	Measured stored heat temperature	signed short	2 bytes	°C	Get	○		
		0xFF38–0x3E8 (-200–1000°C)							
Daytime heat storage setting	0xC3	This property indicates the daytime heat storage ON/OFF status.	unsigned char	1 byte		Set/Get			
		ON = 0x30, OFF = 0x31							
Daytime heat storage ability	0xC4	This property indicates whether heat can be stored in the daytime.	unsigned char	1 byte		Get		○	
		Storage possible = 0x30, Storage not possible = 0x31							
Midnight power duration setting	0xC5	This property indicates the duration of midnight power.	unsigned char	1 byte		Set			
		0x00–0x17 (0-23)				Get			

Midnight power start time setting	0xC6	This property indicates the midnight power start time. 0x00-0x17 (0-23)	unsigned char	1 byte		Set/Get	○		
Radiation method	0xC7	This property indicates whether the electric storage heater has a fan. With fan = 0x30, Without fan = 0x31	unsigned char	1 byte		Get	○		
Child lock setting	0xC8	This property indicates the child lock status. ON = 0x30, OFF = 0x31	unsigned char	1 byte		Set/Get		○	
Fan timer 1 setting	0xD0	This property is used to specify Reservation ON or OFF of Fan timer 1 and to acquire the setting status. Reservation ON = 0x41, Reservation OFF = 0x42	unsigned char	1 byte		Set/Get			
Fan timer 1 ON time setting	0xD1	This property is used to set a timer value (HH:MM) and to acquire the setting status. 0-0x17:0-0x3B (=0-23):(=0-59)	unsigned char × 2	2 bytes		Set/Get			
Fan timer 1 OFF time setting	0xD2	This property is used to set a timer value (HH:MM) and to acquire the setting status. 0-0x17:0-0x3B (=0-23):(=0-59)	unsigned char × 2	2 bytes		Set/Get			
Fan timer 2 setting	0xD3	This property is used to specify Reservation ON or OFF of Fan timer 2 and to acquire the setting status. Reservation ON = 0x41, Reservation OFF = 0x42	unsigned char	1 byte		Set/Get			
Fan timer 2 ON time setting	0xD4	This property is used to set a timer value (HH:MM) and to acquire the setting status. 0-0x17:0-0x3B (=0-23):(=0-59)	unsigned char × 2	2 bytes		Set/Get			
Fan timer 2 OFF time setting	0xD5	This property is used to set a timer value (HH:MM) and to acquire the setting status. 0-0x17:0-0x3B (=0-23):(=0-59)	unsigned char × 2	2 bytes		Set/Get			

Note: In the “Announcement at status change” column, ○ denotes mandatory processing when the property is implemented.

(1) Operation status (inherited from the device super class property)

This property is used to start or stop an electric storage heater and to acquire the operation status. The start status corresponds to 0x30, and the stop status corresponds to 0x31.

(2) Temperature setting

This property is used to set the temperature under the current fan operation in °C and to acquire the setting status.

This property shall be effective even when the value of the “operation status” property (0x80) is OFF (0x31).

A model with fan installed requires this property.

(3) Rated power consumption

This property indicates the rated power consumption of heat storage, control, weak air flowing, and strong air flowing in W. The power consumption is from 0x0000 to 0xFFFFD (0 to 65533W). The property value is for heat storage, control, weak air flowing, and strong air flowing from the high-order bytes. When the actual piece of equipment does not support one or more of the functions, the underflow code 0xFFFFE shall be used.

If the fan air flow rate cannot be switched, the underflow code 0xFFFFE shall be used for weak air flowing.

This property shall be effective even when the value of the “operation status” property (0x80) is OFF (0x31).

(4) Measured indoor temperature

This property indicates the measured indoor temperature in °C. The value range for this property is from 0x81 to 0x7D (-127 to 125°C). When the property value of the actual device is higher than the upper limit of the property value range, the overflow code 0x7F shall be used. When the property value is lower than the lower limit of the property value range, the underflow code 0x80 shall be used. When the measurement value cannot be returned, 0x7E shall be used.

This property shall be effective even when the value of the “operation status” property (0x80) is OFF (0x31).

A model with fan installed requires this property.

(5) Measured outdoor temperature

This property indicates the measured outdoor temperature in °C. The value range for this property is from 0x81 to 0x7D (-127 to 125°C). When the property value of the actual device is higher than the upper limit of the property value range, the overflow code 0x7F shall be used. When the property value is lower than the lower limit of the property value range, the underflow code 0x80 shall be used. When the measurement value cannot be returned, 0x7E shall be used.

This property shall be effective even when the value of the “operation status” property (0x80) is OFF (0x31).

(6) Air flow rate setting

This property is used to set the air flow level and air flow rate automatic setting and to acquire the setting status. The property value for air flow rate automatic setting is 0x41. The air flow rate is set to three levels and the property value is 0x31 to 0x33. The specific value for each air flow level is 0x31 for OFF, weak air flowing for 0x32, and strong air flowing for 0x33.

When the air flow rate cannot be changed, the value is 0x31 for OFF and 0x33 for ON.

This property shall be effective even when the value of the “operation status” property (0x80) is OFF (0x31).

(7) Fan operation status

This property is used to acquire the fan operation status. The air flow rate is set to three levels and the property value is 0x31 to 0x33. The specific value for each air flow level is 0x31 for OFF, weak air flowing for 0x32, and strong air flowing for 0x33.

When the air flow rate cannot be changed, the value is 0x31 for OFF and 0x33 for ON.

(8) Heat storage operation status

This property is used to set the storage heater ON/OFF status. The property value is 0x30 for ON and 0x31 for OFF.

(9) Heat storage temperature setting

This property is used to set the heat storage temperature and to acquire the setting status. The value range for this property is from 0x0000 to 0x03E8 (0 to 1000°C).

This property shall be effective even when the value of the “operation status” property (0x80) is OFF (0x31).

(10) Measured stored heat temperature

This property indicates the measured heat storage temperature in °C. The value range for this property is from 0xFF37 to 0x03E8 (-200 to 1000°C). When the property value of the actual device is higher than the upper limit of the property value range, the overflow code 0x7FFF shall be used. When the property value is lower than the lower limit of the property value range, the underflow code 0x8000 shall be used.

This property shall be effective even when the value of the “operation status” property (0x80) is OFF (0x31).

(11) Daytime heat storage setting

This property is used to set daytime heat storage by a storage heater to ON or OFF and to acquire the setting status. The property value is 0x30 for ON and 0x31 for OFF.

(12) Daytime heat storage ability

This property is used to acquire the status of whether the storage heater can store heat in the daytime. The property value is 0x30 when heat storage is possible and 0x31 when not.

(13) Midnight power duration setting

This property is used to set the midnight power duration and to acquire the setting status. The property value is 0x00 to 0x17 (0 to 23 hours).

This property shall be effective even when the value of the “operation status” property (0x80) is OFF (0x31).

Reference information: The current power menu of each power company presents three types of power duration. The duration is 5 hours (0x05), 8 hours (0x08), or 10 hours (0x0A).

(14) Midnight power start time setting

This property is used to set the midnight power start time and to acquire the setting status. The value range for this property is 0x00 to 0x17 (00:00 to 23:00). This property shall be effective even when the value of the “operation status” property (0x80) is OFF (0x31).

Reference information: The current power menu of each power company presents five types of midnight power start time. For the duration of 5 or 8 hours, the start time is 00:00 (0x00), 01:00 (0x01), 21:00 (0x15), 22:00 (0x16), or 23:00 (0x17). For the duration of 10 hours, the start time is 22:00 (0x16) only.

(15) Radiation method

This property is used to acquire the fan installation status of an electric storage heater. The property value is 0x30 when a fan is installed and 0x31 when not.

This property shall be effective even when the value of the “operation status” property (0x80) is OFF (0x31).

(16) Child lock setting

This property sets child lock and indicates the setting status. The property value is 0x30 for ON and 0x31 for OFF.

This property shall be effective even when the value of the “operation status” property (0x80) is OFF (0x31).

(17) Fan timer 1 setting

This property is used to specify Reservation ON or OFF of Fan timer 1 and to acquire the setting status. The property value is 0x41 for Reservation ON or 0x42 for Reservation OFF.

This property shall be effective even when the value of the “operation status” property (0x80) is OFF (0x31).

(18) Fan timer 1 ON time setting

This property is used to set the Fan timer 1 ON time (HH:MM) and to acquire the setting status. The value range for this property is from 0 to 0x17:0 to 0x3B (0 to 23):(0 to 59).

This property shall be effective even when the value of the “operation status” property (0x80) is OFF (0x31).

(19) Fan timer 1 OFF time setting

This property is used to set the Fan timer 1 OFF time (HH:MM) and to acquire the setting status. The value range for this property is from 0 to 0x17:0 to 0x3B (0 to 23):(0 to 59).

This property shall be effective even when the value of the “operation status” property (0x80) is OFF (0x31).

(20) Fan timer 2 setting

This property is used to specify Reservation ON or OFF of Fan timer 2 and to acquire the setting status. The property value is 0x41 for Reservation ON or 0x42 for Reservation OFF.

This property shall be effective even when the value of the “operation status” property (0x80) is OFF (0x31).

(21) Fan timer 2 ON time setting

This property is used to set the Fan timer 2 ON time (HH:MM) and to acquire the

setting status. The value range for this property is from 0 to 0x17:0 to 0x3B (0 to 23):(0 to 59).

This property shall be effective even when the value of the “operation status” property (0x80) is OFF (0x31).

(22) Fan timer 2 OFF time setting

This property is used to set the Fan timer 2 OFF time (HH:MM) and to acquire the setting status. The value range for this property is from 0 to 0x17:0 to 0x3B (0 to 23):(0 to 59).

This property shall be effective even when the value of the “operation status” property (0x80) is OFF (0x31).

3. 2. 9 Requirements for package-type commercial air conditioner (indoor unit) (except those for facilities) class

Class group code : 0x01

Class code : 0x56

Instance code : 0x01 to 0x7F (0x00: All-instance specification code)

Property name	EPC	Contents of property	Data type	Data size	Unit	Access rule	Mandatory	Announcement at status change	Remark
		Value range (decimal notation)							
Operation status	0x80	This property indicates the ON/OFF status.	unsigned char	1 byte	—	Set/Get	○	○	
		ON=0x30, OFF=0x31							
Operation mode setting	0xB0	Used to specify the operation mode (“automatic,” “cooling,” “heating,” “dehumidification” or “air circulation”) and to acquire the current setting.	unsigned char	1 byte	—	Set/Get	○	○	
		The following values shall be used: Automatic: 0x41 Cooling: 0x42 Heating: 0x43 Dehumidification: 0x44 Air circulation: 0x45							
Measured indoor unit temperature	0xBB	Used to acquire the measured indoor unit temperature (°C).	signed char	1 byte	1°C	Get			
		0x81—0x7D (-127—125°C)							
Thermostat state	0xAC	This property indicates the state (ON or OFF) of the thermostat.	unsigned char	1 byte	—	Get	○		
		Thermostat ON = 0x41 Thermostat OFF = 0x42							
Current function (“automatic” operation mode)	0xAE	This property indicates, when the air conditioner is operating in the “automatic” operation mode, the function (“cooling,” “heating,” “dehumidification,” “air circulation” or “other”) that is currently being used.	unsigned char	1 byte	—	Get	○		
		The following values shall be used: Cooling: 0x42 Heating: 0x43 Dehumidification: 0x44 Air circulation: 0x45 Other: 0x40 Disabled = 0x41, not disabled = 0x42							
Group information	0xCA	Used to specify information to link indoor units with outdoor units.	unsigned char	1 byte	—	Get	○		
		No setting = 0x00 0x01—0xFD							
Power consumption	0xDB	Power consumption for indoor units is classified into five groups:	unsigned	1 bytes	—	Get			

range for indoor units	0x00: undefined 0x01: up to 50W 0x02: 50W - 100W 0x03: 100W - 150W 0x04: 150W - 200W 0x05: 200W -	char							
------------------------	--	------	--	--	--	--	--	--	--

Note: In the “Announcement at status change” column, o denotes mandatory processing when the property is implemented.

Note1: Either the “temperature setting 1” property (0xB3) or “temperature setting 2” property (0xE3) must be implemented.

(1) Operation status (inherited from the device super class property)

Used to specify whether to turn on or off the package-type commercial air conditioner (indoor unit), and to acquire the current operation status.
 0x30 and 0x31 shall be used for the ON and OFF states, respectively.

(2) Operation mode setting

Used to specify the operation mode of the package-type commercial air conditioner (indoor unit) (“automatic,” “cooling,” “heating,” “dehumidification” or “air circulation”) and to acquire the current setting. 0x41, 0x42, 0x43, 0x44 and 0x45 shall be used for “automatic,” “cooling,” “heating,” “dehumidification” and “air circulation,” respectively.

It is only required to implement the property values that correspond to the functions provided by the actual piece of equipment in which this class is implemented. For example, if the piece of equipment in which this class is implemented does not have an air circulation function, it is not necessary to implement the value for the air circulation mode (0x45).

This property indicates normal values regardless of the operation status property value (0x80) is ON (0x30) or OFF (0x31).

(3) Temperature setting

Used to set the temperature (in 1°C increments) for the current operation mode of the indoor unit that is specified by the “operation mode setting (0xB0)” property, and to acquire the current setting. The air conditioner shall use the value of this property as the target temperature.

This property is the value of the operation mode set at “operation mode setting (0xB0)”. This property indicates normal values regardless of the operation status property value (0x80) is ON (0x30) or OFF (0x31).

(4) Measured indoor unit temperature

This property indicates the measured indoor unit temperature in 1°C increments. The property value range shall be 0x81 to 0x7D (-127 to 125°C). When the property value of the actual piece of equipment is higher than the upper limit of the property value range, the overflow code 0x7F shall be used. When the property value is lower than the lower limit of the property value range, the underflow code 0x80 shall be used. When the measurement value cannot be returned, 0x7E shall be used.

This property indicates normal values only when the operation status property value (0x80) is ON (0x30).

(5) Thermostat state

This property indicates the state (ON or OFF) of the thermostat of the package-type commercial air conditioner (indoor unit).

0x41 and 0x42 shall be used for the ON and OFF states, respectively.

This property indicates normal values only when the operation status property value (0x80) is ON (0x30).

(6) Current function (“automatic” operation mode)

When “automatic” is specified by the “operation mode setting” property (EPC = 0xB0) for the package-type commercial air conditioner (indoor unit), this property is used to acquire information as to which function (of the actual piece of equipment) is currently being used (i.e. “cooling,” “heating,” “dehumidification” or “air circulation”). 0x42, 0x43, 0x44 and 0x45 shall be used for “cooling,” “heating,” “dehumidification,” “air circulation” and “other,” respectively. “Other” shall mean that the air conditioner is in operation but is not performing any of the “cooling,” “heating,” “dehumidification” and “air circulation” functions.

It is only required to implement the property values that correspond to the functions provided by the actual piece of equipment in which this class is implemented. For example, if the piece of equipment in which this class is implemented does not have an air circulation function, it is not necessary to implement the value for the air circulation function (0x45).

This property indicates normal values only when the operation status property value (0x80) is ON (0x30) and operation mode setting property (0xB0) is automatic (0x41).

(7) Group information

Group information property values provide information to link air conditioners (indoor units) with air conditioners (outdoor units). Air conditioners (indoor units) and air conditioners (outdoor units) with the same property values shall be connected using the same refrigerant piping. Note that the value shall be unique within identical ECHONET/ECHONET Lite domains.

(8) Power consumption range for indoor units

Power consumption for indoor units is classified into five groups:

0x00: undefined

0x01: up to 50W

0x02: 50W - 100W

0x03: 100W - 150W

0x04: 150W - 200W

0x05: 200W -

3. 2. 10 Requirements for package-type commercial air conditioner (outdoor unit) (except those for facilities) class

Class group code : 0x01

Class code : 0x57

Instance code : 0x01 to 0x7F (0x00: All-instance specification code)

Property name	EPC	Contents of property	Data type	Data size	Unit	Access rule	Mandatory	Announcement at status change	Remark
		Value range (decimal notation)							
Operation status	0x80	This property indicates the ON/OFF status.	unsigned char	1 byte	—	Set	○		
		ON=0x30, OFF=0x31				Get			
Rated power consumption of outdoor unit	0xB8	Used to acquire the rated power consumption for the cooling and heating modes.	unsigned short × 2	8 bytes	W	Get			
		0x00000000–0xFFFFFFFF (0–4,294,967,293W) Cooling: heating							
Measured outdoor unit temperature	0xBE	Used to acquire the measured outdoor unit temperature (°C).	signed char	1 byte	1°C	Get			
		0x81–0x7D (-127–125°C)							
“Special” state	0xAB	This property indicates when the air conditioner is in the “special” state	unsigned char	1 byte	—	Get			
		“Normal operation” state = 0x40, “special” state = 0x41							
Group information	0xCA	Used to acquire information to link indoor units with outdoor units	unsigned char	1 byte	—	Get	○		
		No setting = 0x00 0x01–0xFD							
Measured power consumption of outdoor unit	0xDB	Used to acquire the measured power consumption of the outdoor unit.	unsigned short	4 bytes	W	Get	○		
		0x00000000–0xFFFFFFFF (0–4,294,967,293W)							
Possible power savings for outdoor units	0xDD	This property indicates possible power savings (W) based on current operation status.	unsigned short	4 bytes	W	Get	○		
		0x00000000–0xFFFFFFFF (0–4,294,967,293W)							
Settings restricting power consumption of outdoor units	0xDE	Setting/reading power (W) to be saved	unsigned short	4 bytes	W	Set/Get	○		
		Restricting power consumption: 0x00000000 0x00000001–0xFFFFFFFF (1–4,294,967,293W)							
Minimum power consumption for restricted outdoor unit	0xDF	This property indicates the minimum possible power consumption savings.	unsigned short	4 bytes	W	Get			
		0x00000000–0xFFFFFFFF (0–4,294,967,293W)							

Note: In the “Announcement at status change” column, ○ denotes mandatory processing

when the property is implemented.

(1) Operation status (inherited from the device super class property)

Used to specify whether to turn on or off the package-type commercial air conditioner, and to acquire the current operation status. 0x30 and 0x31 shall be used for the ON and OFF states, respectively. In cases where the package-type commercial air conditioner (outdoor unit) belongs to a node in which the “package-type commercial air conditioner (outdoor unit)” class is implemented and is ready to respond to user operation as soon as the node starts up, 0x30 may be implemented as the fixed value.

(2) Rated power consumption of outdoor unit

This property indicates, in watts, the rated power consumption values (brochure values) for the “cooling” and “heating” modes. The range of rated power consumption value for each of the 3 modes shall be 0x00000000 to 0xFFFFFFFF (0 to 4,294,967,293W) and the bytes shall be used in such a manner that the two values are indicated in the order stated in the previous sentence. When the actual piece of equipment does not support one or more of the three modes, the underflow code 0xFFFFFFFFE shall be used for the unsupported mode(s).

(3) Measured outdoor unit temperature

This property indicates, in 1°C increments, the measured air temperature where the outdoor unit of the package-type commercial air conditioner is installed. The property value range shall be 0x81 to 0x7D (-127 to 125°C). When the property value of the actual piece of equipment is higher than the upper limit of the property value range, the overflow code 0x7F shall be used. When the property value is lower than the lower limit of the property value range, the underflow code 0x80 shall be used. When the measurement value cannot be returned, 0x7E shall be used.

This property indicates normal values only when the operation status property value (0x30) is ON (0x30).

(4) “Special” state

This property indicates when the package-type commercial air conditioner is in the “special” state.

The value of a property in a normal state shall be 0x40, while the value of a property in a special state other than normal shall be 0x41. The term “special state” means an

operation that is required for air conditioner functions and that cannot be changed by outside instructions.

This property indicates normal values only when the operation status property value (0x80) is ON (0x30).

(5) Group information

Group information property values provide information to link air conditioners (indoor units) with air conditioners (outdoor units). Air conditioners (indoor units) and air conditioners (outdoor units) with the same property values shall be connected using the same refrigerant piping. The value shall be unique within identical ECHONET/ECHONET Lite domains.

(6) Measured power consumption of outdoor unit (A in Fig. 3-3)

This property indicates outdoor unit power consumption (W). The property value range shall be 0x00000000 to 0xFFFFFFFF (0 to 4,294,967,293W). When the property value of the actual piece of equipment is higher than the upper limit of the property value range, 0xFFFFFFFF shall be used.

This property indicates normal values only when the operation status property value (0x80) is ON (0x30).

(7) Possible power savings for outdoor units (B in Fig. 3-3)

This property indicates possible power savings in W based on current operation status. This property indicates normal values only when the operation status property value (0x80) is ON (0x30). When the property value of the actual piece of equipment is higher than the upper limit of the property value range, 0xFFFF shall be used.

(8) Settings restricting power consumption of outdoor units (Designation for Fig. 3-3 B: D)

Setting power (W) to be saved/reading set value to restrict power consumption As a rule, set a numerical figure equal to or smaller than the possible power savings for outdoor units (B). Set 0x00000000 when canceling the restriction.

The value of this property shall be set to 0x00000000 30 minutes after setting*1, depending on the device. The range of property values shall be: 0x00000001 - 0xFFFFFFFF (1 - 4,294,967,293W).

The outdoor unit operates at the minimum outdoor unit power consumption

restriction (C), when the outdoor unit power consumption restriction setting is high and “minimum power consumption for restricted outdoor unit (C) > measured outdoor unit power consumption (A) – outdoor unit power consumption restriction setting (D)”.

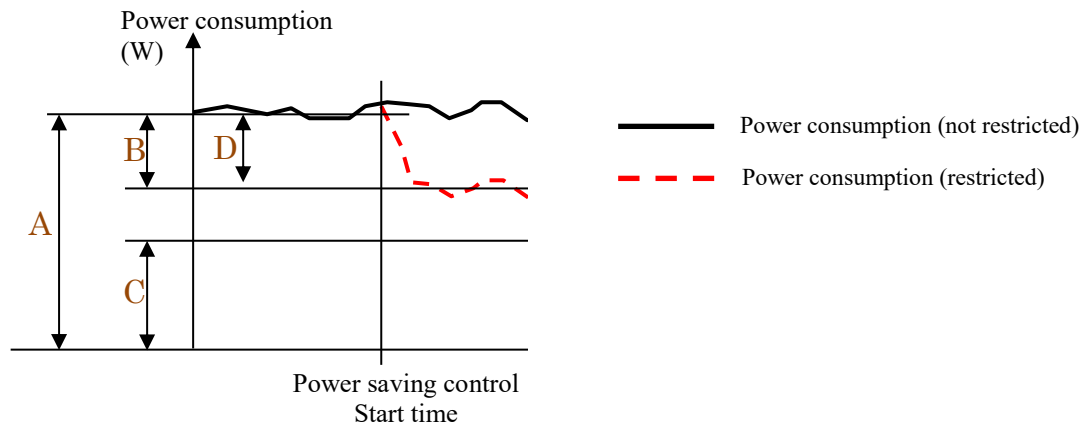
Note 1: Control considering the accuracy of the clock embedded in the device.

(9) Minimum power consumption for restricted outdoor unit (C in Fig. 3-3)

This property indicates minimum power consumption (W) at which the consumer-designated device can operate.

The property value range is 0x00000001 to 0xFFFFFFFFD (1 to 4,294,967,293 W). When the property value of the actual device is higher than the upper bound of the value range, 0xFFFFFFFF shall be used.

The outdoor unit operates at the minimum outdoor unit power consumption restriction (C), when the outdoor unit power consumption restriction setting is high and “minimum power consumption for restricted outdoor unit (C) > measured outdoor unit power consumption (A) – outdoor unit power consumption restriction setting (D)”.



- A: Measured outdoor unit power consumption
- B: Savable power consumption for outdoor unit
- C: Minimum consumption power for restricting outdoor unit (Power required by consumer to ensure minimally air-conditioned environment)
- D: Outdoor unit consumption power restriction setting

The following relationship shall be maintained: $A - D \geq C$

Fig. 3-3 Power restriction control of commercial-use package air conditioner (example)

Reference: Current status of commercial-use air conditioners

I. Commercial-use air conditioners

Commercial-use air conditioners (also known as “package air conditioners”) are mainly designed and manufactured for offices and stores in commercial buildings. Commercial-use direct-expansion air conditioners include air conditioners that drive a compressor using a gas engine instead of a motor. These are commonly known as GHPs and are classified separately from those driven by a motor compressor.

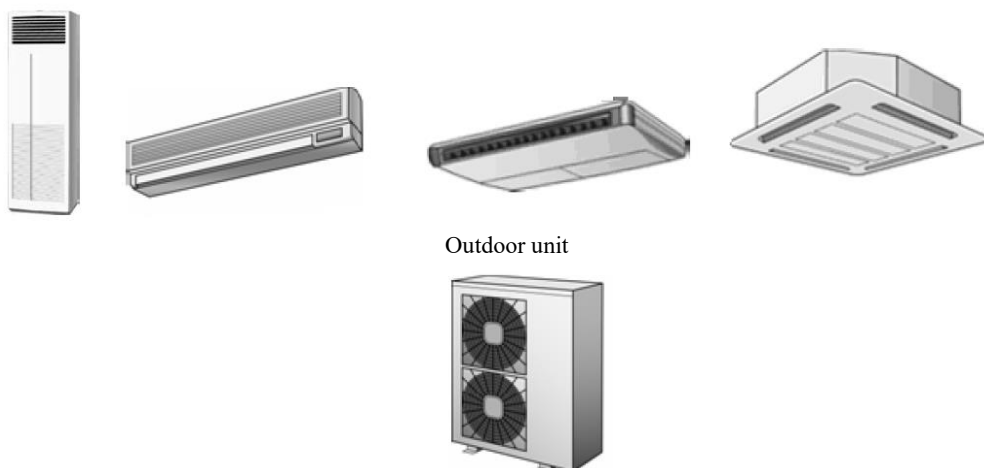
Today, commercial-use air conditioners fall into three categories, depending on the purpose of the building: air conditioners for stores, multi-purpose air conditioners for buildings, and air conditioners for facilities. Air conditioners are presented according to these categories in leaflets created by manufacturers.

1) Air conditioners for stores

Air conditioners for stores are mainly used in small stores and offices. They are typically installed in the ceiling of these stores, and have air blowout ports in four directions. They have quite a wide variety of indoor units, such as the ceiling suspended type, ceiling mounted type, and floor mounted type. Their cooling capacities widely vary from 3 kW to 30 kW.

The most typical cooling system is the separate air heat source type with a combination of an outdoor unit and an indoor unit. However, some of them have two or three units (even in this case, the units are not individually controlled, since the air conditioner is used for the same room).

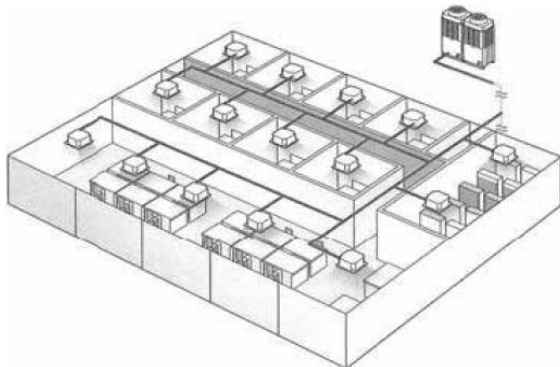
Example of major indoor units



2) Multi-purpose air conditioners for buildings

Multi-purpose air conditioners for buildings are air conditioner systems typically designed for small or medium sized buildings. They have functions to individually

control many indoor units connected to the air conditioner with outdoor unit modules. The typical cooling system for these air conditioners is the air heat source separate type; however, some of them use a water heat source for cooling.



3) Air conditioners for facilities

Air conditioners for facilities are typically used for large interior spaces, such as factories. They have a box-like shape and are placed on the floor. They are considered to be the original model for commercial-use air conditioners. These systems are typically the water-cooling and integrated type or the air-cooling remote condenser type. However, the separate type is becoming more common recently.



Note that this type includes the “wall-through type” unit that is placed at the perimeter (at the window) and extends through the wall of medium-size buildings.



(“Reference: Current status of commercial-use air conditioners” copyright held by the

Japan Refrigeration and Air Conditioning Industry Association. All rights reserved.)

3. 3 Housing/Facilities-related Device Class Group

This section specifies detailed codes and properties for each ECHONET object belonging to the housing/facilities-related device class group (class group specification code X1 = 0x02). Table 3-3 shows a list of classes specified in detail in this section. In the class requirements, “Mandatory” means that the device mounting each class must mount a combination of its property and service.

Table 3-3 Housing/Facilities-related Device Class Group Object List

Class group code	Class code	Class name	Detailed requirements	Remarks
0x02	0x00 to 0x5F	Reserved for future use		
	0x60	Electrically operated blind/shade	○	
	0x61	Electrically operated shutter	○	
	0x62	Electrically operated curtain		
	0x63	Electrically operated rain sliding door/shutter	○	
	0x64	Electrically operated gate	○	
	0x65	Electrically operated window	○	
	0x66	Automatically operated entrance door/sliding door	○	
	0x67	Garden sprinkler	○	
	0x68	Fire sprinkler		
	0x69	Fountain		
	0x6A	Instantaneous water heater		
	0x6B	Electric water heater	○	
	0x6C	Solar water heater		
	0x6D	Circulation pump		
	0x6E	Bidet-equipped toilet (with electrically warmed seat)	○	
	0x6F	Electric lock	○	
	0x70	Gas line valve		
	0x71	Home sauna		
	0x72	Hot water generator	○	
	0x73	Bathroom dryer	○	
	0x74	Home elevator		
	0x75	Electrically operated room divider		
0x76	Horizontal transfer			
0x77	Electrically operated clothes-drying pole			
0x78	Septic tank			
0x79	Home solar power generation	○		

0x7A	Cold/hot water heat source equipment	○	
0x7B	Floor heater	○	
0x7C	Fuel cell	○	
0x7D	Storage battery	○	
0x7E	Electric vehicle charger/discharger	○	
0x7F	Engine cogeneration	○	
0x80	Electric energy meter	○	
0x81	Water flow meter	○	
0x82	Gas meter	○	
0x83	LP gas meter	○	
0x84	Clock		
0x85	Automatic door		
0x86	Commercial elevator		
0x87	Distribution panel metering	○	
0x88	Low voltage smart electric energy meter	○	
0x89	Smart gas meter	○	
0x8A	High voltage smart electric energy meter	○	
0x8B	Kerosene meter	○	
0x8C	Smart kerosene meter	○	
0x8D to 0x8F	Reserved for future use		
0x90 (Note 1)	General lighting class	○	Including chandelier, stand, bracket, downlight, spotlight, pendant light, ceiling light, wall light, etc.
0x91	Single function lighting	○	
0x92 to 0x98 (Note 1)	Reserved for future use		
0x99 (Note 2)	Emergency lighting		Including exit light, emergency light, security light, anticrime light, etc.
0x9A to 0x9C (Note 2)	Reserved for future use		
0x9D	Equipment light		
0xA0	Buzzer	○	
0xA1	Charger for electric vehicle	○	
0xA2	Household small wind turbine power generation	○	
0xA3	Lighting system		
0xA4	Extended lighting system	○	

	0x9E to 0x9F 0xA3 to 0xFF	Reserved for future use		
--	------------------------------	-------------------------	--	--

Note: ○ indicates that details are explained including the property structure in the APPENDIX.

Note 1: Before Version 2.10, chandeliers, desk/floor stands, brackets, downlight, spotlights, pendant lights, ceiling lights and wall lights were allocated their own class codes. After Version 2.11, these codes were unified into general lighting fixtures.

Note 2: Before Version 2.10, exit lights, emergency lights, security lights and safety lights were allocated their own class codes. After Version 2.11, these codes were unified into emergency lighting fixtures.

3. 3. 1 Requirements for electrically operated blind/shade class

Class group code : 0x02

Class code : 0x60

Instance code : 0x01–0x7F (0x00: All-instance specification code)

Property name	EPC	Contents of property	Data type	Data size	Unit	Access rule	Mandatory	Announcement at status change	Remark
		Value range (decimal notation)							
Operation status	0x80	This property indicates the ON/OFF status.	unsigned char	1 byte	—	Set		○	
		ON = 0x30, OFF = 0x31				Get			
Fault description (Recoverable faults)	0x89	Fault description	unsigned short	2 bytes	—	Get		○	
		Lower order one byte Restarting the device by performing a reset operation = 0x02 Higher-order one byte Obstacle caught = 0x04 Recovery from outage = 0x05 Time out = 0x06 Battery low = 0x07 0x45 to 0xFF: Defined by user							
Timer operation setting	0x90	Used to specify the timer operation ON or OFF.	unsigned char	1 byte	—	Set/Get		○	
		ON = 0x41, OFF = 0x42							
Wind detection status	0xC2	This property indicates whether wind is detected.	unsigned char	1 byte	—	Get		○	
		Wind = 0x41, No wind = 0x42							
Sunlight detection status	0xC3	This property indicates whether sunlight is detected.	unsigned char	1 byte	—	Get		○	
		Sunlight = 0x41, No sunlight = 0x42							
Opening (extension) speed setting	0xD0	This property specifies the normal opening (extension) speed by levels.	unsigned char	1 byte	—	Set/Get			
		Low = 0x41, Medium = 0x42, High = 0x43							
Closing (retraction) speed setting	0xD1	This property specifies the normal closing (retraction) speed by three levels.	unsigned char	1 byte	—	Set/Get			
		Low = 0x41, Medium = 0x42, High = 0x43							
Operation time	0xD2	This property specifies the operation time in seconds.	unsigned char	1 byte	second	Set/Get			
		0x00–0xFD (0–253 seconds)							
Automatic operation setting	0xD4	Automatic operation ON or OFF.	unsigned char	1 byte	—	Set/Get		○	
		ON = 0x41, OFF = 0x42							
Open/close (extension/retraction) setting	0xE0	Open/close/stop	unsigned char	1 byte	—	Set/Get	○	○	
		Open = 0x41, close = 0x42, stop = 0x43							

Degree-of-opening level	0xE1	Used to specify the Degree-of-opening level in %, and to acquire the current setting.	unsigned char	1 byte	-	Set/Get	ⓔ ⓗ		
		0x00-0x64 (0-100%)							
Shade angle setting	0xE2	Shade angle value	unsigned char	1 byte	degree	Set/Get			
		0x00-0xB4 (0-180°)							
Open/close (extension/retraction) speed	0xE3	Low/Medium/High	unsigned char	1 byte	-	Set/Get			
		Low = 0x41, Medium = 0x42, High = 0x43							
Electric lock setting	0xE5	Lock or unlock of an electric lock	unsigned char	1 byte	-	Set/Get			
		Lock = 0x41, Unlock = 0x42							
Remote operation setting status	0xE8	This property indicates whether remote operation is permitted or prohibited.	unsigned char	1 byte	-	Get		○	
		ON (permitted) = 0x41, OFF (prohibited) = 0x42							
Selective opening (extension) operation setting	0xE9	Sets a stop at a specified value.	unsigned char	1 byte	-	Set/Get		○	
		Degree-of-setting position: Open = 0x41 Operation time setting value: Open = 0x42 Operation time setting value: Close = 0x43 Local setting position = 0x44 Hereinafter, defined by user (Shortcut to degree-of-opening setting, etc.)							
Open/closed (extended/retracted) status	0xEA	This property indicates the open/closed status.	unsigned char	1 byte	-	Get		○	
		Fully open = 0x41, Fully closed = 0x42, Open = 0x43, Closed = 0x44, Stopped halfway = 0x45							
One-time opening (extension) speed setting	0xEE	Used to specify the speed of single opening operation by three levels.	unsigned char	1 byte	-	Set/Get			
		Low = 0x41, Medium = 0x42, High = 0x43, None = 0x44							
One-time closing (retraction) speed setting	0xEF	Used to specify the speed of single closing operation by three levels.	unsigned char	1 byte	-	Set/Get			
		Low = 0x41, Medium = 0x42, High = 0x43, None = 0x44							

Note: In the “Announcement at status change” column, ○ denotes mandatory processing when the property is implemented.

(1) Operation status (inherited from the device object super class property)

This property indicates whether an electrically operated blind/shade is ready to accept control commands (ON) or not (OFF). The property value is 0x30 for ON and 0x31 for OFF. If an electrically operated blind/shade ready to accept control commands at the start of a node where the electrically operated blind/shade class is installed, the value can be fixed at 0x30 at installation.

(2) Fault description (inherited from the device object super class property)

The description here is limited to what are not defined in the super class. This property acquires the description of recoverable faults about an electrically operated blind/shade up to the detailed fault classification. The general fault classification shall be fixed at the lower-order byte, and 0x02 indicates a fault that can be recovered from by restarting the device by performing a reset operation in the super class classification. The detailed fault classification shall be fixed at the higher-order byte.

Obstacle caught = 0x04, Recovery from outage = 0x05, Time out = 0x06, Battery low = 0x07, 0x45 to 0xFF are defined by the user

(3) Timer operation setting

The property value is 0x41 (ON) to enable timer operation that starts opening or closing at a time preset to the device or 0x42 (OFF) to disable timer operation. Then the contents of the setting are acquired.

(4) Wind detection status

This property indicates whether the wind speed has reached the level preset in the device. The value is 0x41 (Wind) when the level has been reached and 0x42 (No wind) when not.

(5) Sunlight detection status

This property indicates whether the illuminance has reached the level preset in the device. The value is 0x41 (Sunlight) when the level has been reached and 0x42 (No sunlight) when not.

(6) Opening (extension) speed setting

This property specifies the speed in the opening (extension) direction as a repeatedly available value and indicates the speed by three levels (Low/Medium/High).

(7) Closing (retraction) speed setting

This property specifies the speed in the closing (retraction) direction as a repeatedly available value and indicates the speed by three levels (Low/Medium/High).

(8) Operation time

When operation is set by the selective opening (extension) operation setting property (0xE9), this property sets the operation time of an electrically operated blind/shade in seconds and acquires the contents of the setting. The operation time is 0 to 253 seconds (0x00 to 0xFD).

(9) Automatic operation setting

The property value is set to 0x41 (ON) to enable the automatic operation of a device supporting automatic operation or 0x42 (OFF) to disable it. Then the contents of the setting are acquired.

(10) Open/close (extension/retraction) operation setting

This property sets the open/close (extension/retraction) or stop operation of an electrically operated blind/shade and acquires the contents of the setting. The property value is 0x41 for open (extension), 0x42 for close (retraction), and 0x43 for stop. The target of operation setting by this property is the fully open position after open (extension) and the fully closed position after close (retraction). For a stop at any other position, stop operation shall be set (0x43) during operation or the selective opening (extension) operation setting property (0xE9) shall be used.

(11) Degree-of-opening

This property sets the degree-of-opening of an electrically operated blind/shade within the range from 0 to 100% and acquires the operation setting when the value of the selective opening (extension) operation setting property (0xE9) is 0x41 (open). The value 0x00 (degree-of-opening: 0%) shall represent the state nearest to the fully closed state (i.e., not fully closed) and the value 0x64 (degree-of-opening: 100%) shall represent the fully open state. During the process of the blind/shade reaching the target position, the target degree-of-opening setting position shall be returned. In the case where an “energy service” or a “home amenity service” is to be supported, the implementation of this property is mandatory.

(12) Shade angle setting

This property indicates the blind angle of an electrically operated blind from the indoor side in degrees.

In the case of a horizontal electric blind, the blind slats shall be regarded as being in the 90° and 0° positions when blind slats are horizontal and at the highest position inside the room (the light blocking side (convex face outward) is vertical), respectively.

In the case of a vertical electric blind, the blind slats shall be regarded as being in the 0° and 180° positions when the outdoor side surfaces of the blind slats are in the rightmost and leftmost positions as seen from the inside, respectively. The blind slats shall be regarded as being in the 90° position when they are at the midpoint between the 0° and 180° positions.

(13) Open/close (extension/retraction) speed setting

This property indicates the open/close (extension/retraction) speed by three levels

(Low/Medium/High).

(14) Electric lock setting

This property locks or unlocks an electrically operated blind/shade and acquires the lock status. The property value is 0x41 for the locked status and 0x42 for the unlocked status.

(15) Remote operation setting status

This property acquires whether an electrically operated blind/shade permits or prohibits remote operation from outside. The value is 0x41 (ON) when remote operation from outside is permitted and 0x42 (OFF) when it is prohibited. The value can be fixed at 0x41 (ON) at installation to use an electrically operated blind/shade not independently but always by remote operation.

(16) Selective opening (extension) operation setting

This property indicates the setting to operate or stop an electrically operated blind/shade as specified by another property or device. The property value is 0x41 for operation by “Degree-of-opening level” (0xE1), 0x42 for operation in the opening (extension) direction by “Operation time” (0xD2), 0x43 for operation in the closing (retraction) direction by “Operation time setting value” (0xD2), and 0x44 for stop at a position stored independently by the electrically operated blind/shade. User definition shall be permitted for a stop by opening (extension) level setting using a single signal.

(17) Open/closed (extended/retracted) status

This property acquires the open/closed (extended/retracted) status of an electrically operated blind/shade. In the fully open (extended) status, the blind/shade is stopped at the upper limit and the property value is 0x41. In the fully closed (retracted) status, the blind/shade is stopped at the lower limit and the property value is 0x42. In the opening (extension) operation status, the blind/shade is being operated in the opening (extension) direction and the property value is 0x43. In the closing (retraction) operation status, the blind/shade is being operated in the closing (retraction) direction and the property value is 0x44. When the blind/shade is stopped not at the upper or lower limit but halfway, the property value is 0x45.

(18) One-time opening (extension) speed setting

This property specifies the speed in the opening (extension) direction once only by three levels (Low/Medium/High) and acquires the contents of the setting. The value is 0x41 for low speed, 0x42 for medium speed, 0x43 for high speed, and 0x44 for no setting. After single operation at the speed set by this property, the value changes to 0x44. When the value of this property is 0x44, the operation speed is as set by the

opening speed setting property.

(19) One-time closing (retraction) speed setting

This property specifies the speed in the closing (retraction) direction once only by three levels (Low/Medium/High) and acquires the contents of the setting. The value is 0x41 for low speed, 0x42 for medium speed, 0x43 for high speed, and 0x44 for no setting. After single operation at the speed set by this property, the value changes to 0x44. When the value of this property is 0x44, the operation speed is as set by the closing speed setting property.

3. 3. 2 Requirements for electrically operated shutter class

Class group code : 0x02

Class code : 0x61

Instance code : 0x01–0x7F (0x00: All-instance specification code)

Property name	EPC	Contents of property	Data type	Data size	Unit	Access rule	Mandatory	Announcement at status change	Remark
		Value range (decimal notation)							
Operation status	0x80	This property indicates the ON/OFF status.	unsigned char	1 byte	—	Set		○	
		ON = 0x30, OFF = 0x31				Get			
Fault description (Recoverable faults)	0x89	Fault description	unsigned short	2 bytes	—	Get		○	
		Lower order one byte Restarting the device by performing a reset operation = 0x02 Higher-order one byte Obstacle caught = 0x04 Recovery from outage = 0x05 Time out = 0x06 Battery low = 0x07 0x45 to 0xFF: Defined by user							
Timer operation setting	0x90	Timer operation ON/OFF	unsigned char	1 byte	—	Set/Get		○	
		ON = 0x41, OFF = 0x42							
Opening speed setting	0xD0	Used to specify the normal opening speed by three levels.	unsigned char	1 byte	—	Set/Get			
		Low = 0x41, Medium = 0x42, High = 0x43							
Closing speed setting	0xD1	Used to specify the normal closing speed by three levels.	unsigned char	1 byte	—	Set/Get			
		Low = 0x41, Medium = 0x42, High = 0x43							
Operation time	0xD2	Used to specify the operation time in seconds.	unsigned char	1 byte	second	Set/Get			
		0x00 to 0xFD (0 to 253 s)							
Open/close operation setting	0xE0	Open/Close/Stop	unsigned char	1 byte	—	Set/Get	○	○	
		Open = 0x41, Close = 0x42, Stop = 0x43							
Degree-of-opening setting	0xE1	Used to specify the degree-of-opening in %.	unsigned char	1 byte	—	Set/Get			
		0x00–0x64 (0–100%)							
Blind angle setting	0xE2	Blind angle	unsigned char	1 byte	degree	Set/Get			
		0x00–0xB4 (0–180°)							
Open/close speed setting	0xE3	Low/Medium/High	unsigned char	1 byte	—	Set/Get			
		Low = 0x41, Medium = 0x42, High = 0x43							
Electric lock setting	0xE5	Locks or unlocks an electric lock	unsigned char	1 byte	—	Set/Get			
		Lock = 0x41, Unlock = 0x42							

Remote operation setting status	0xE8	Indicates whether remote operation is permitted or prohibited.	unsigned char	1 byte	—	Get		○	
		ON (permitted) = 0x41 OFF (prohibited) = 0x42							
Selective degree-of-opening setting	0xE9	Sets a stop at a specified value.	unsigned char	1 byte	—	Set/Get		○	
		Degree-of-opening setting position: Open = 0x41 Operation time setting value: Open = 0x42 Operation time setting value: Close = 0x43 Local setting position = 0x44 Slit degree-of-opening setting = 0x45 Hereinafter, defined by user (Shortcut to degree-of-opening setting, etc.)							
Open/closed status	0xEA	Indicates the open/closed status.	unsigned char	1 byte	—	Get		○	
		Fully open = 0x41, Fully closed = 0x42, Opening = 0x43, Closing = 0x44, Stopped halfway = 0x45							
Slit degree-of-opening setting	0xED	Used to specify the degree-of-opening by 8 levels.	unsigned char	1 byte	—	Set/Get			
		0x31–0x38							
One-time opening speed setting	0xEE	Used to specify the speed of single opening operation by three levels.	unsigned char	1 byte	—	Set/Get			
		Low = 0x41, Medium = 0x42, High = 0x43, None = 0x44							
One-time closing speed setting	0xEF	Used to specify the speed of single closing operation by three levels.	unsigned char	1 byte	—	Set/Get			
		Low = 0x41, Medium = 0x42, High = 0x43, None = 0x44							

Note: In the “Announcement at status change” column, ○ denotes mandatory processing when the property is implemented.

It is recommended that the electrically operated shutter class is used when the shutter is mounted alone, and the electrically operated rain sliding door/shutter class is used when the shutter is mounted with windows, sliding doors, etc.

(1) Operation status (inherited from the device object super class property)

This property indicates whether the electrically operated shutter is in the ON state (i.e. the electric shutter responds to user operation) or OFF state. The property value is 0x30 for ON and 0x31 for OFF. If an electrically operated shutter ready to accept control commands at the start of a node where the electrically operated shutter class is installed, the value can be fixed at 0x30 at installation.

(2) Fault description (inherited from the device object super class property)

The description here is limited to what are not defined in the super class. This property

acquires the description of recoverable faults about an electrically operated shutter up to the detailed fault classification. The general fault classification shall be fixed at the lower-order byte, and 0x02 indicates a fault that can be recovered from by restarting the device by performing a reset operation in the super class classification. The detailed fault classification shall be fixed at the higher-order byte.

Obstacle caught = 0x04, Recovery from outage = 0x05, Time out = 0x06, Battery low = 0x07, 0x45 to 0xFF are defined by the user

(3) Timer operation setting

The property value is 0x41 (ON) to enable timer operation that starts opening or closing at a time preset to the device or 0x42 (OFF) to disable timer operation. Then the contents of the setting are acquired.

(4) Opening speed setting

This property specifies the speed in the opening direction as a repeatedly available value and indicates the speed by three levels (Low/Medium/High).

(5) Closing speed setting

This property specifies the speed in the closing direction as a repeatedly available value and indicates the speed by three levels (Low/Medium/High).

(6) Operation time setting value

When operation is set by the selective degree-of-opening setting property (0xE9), this property sets the operation time of an electrically operated shutter in seconds and acquires the contents of the setting. The operation time is 0 to 253 seconds (0x00 to 0xFD).

(7) Open/close operation setting

Used to specify whether to open, close or stop the electrically operated shutter, and to acquire the current setting. 0x41, 0x42 and 0x43 shall be used for the “open,” “close” and “stop” options, respectively. For the purposes of this property, “open” or “close” shall mean fully opening or closing the shutter, respectively. For a stop at any other position, stop operation shall be set (0x43) during operation or the selective degree-of-opening setting property (0xE9) shall be used.

(8) Degree-of-opening level setting

Used, when the value of the selective degree-of-opening setting property (0xE9) indicates 0x41 (open), to specify the extent of opening of the electrically operated shutter by selecting a level within the range from 0 to 100%, and to acquire the

current setting. The value 0x00 (degree-of-opening: 0%) shall represent the state nearest to the fully closed state (i.e., not fully closed) and the value 0x64 (degree-of-opening: 100%) shall represent the fully open state. When the shutter reaches the target position, the target of degree-of-opening level shall be returned.

(9) Blind angle setting

This property indicates the blind angle (in degrees) of the electrically operated shutter.

In the case of a horizontal blind, the blind slats shall be regarded as being in the 90° and 0° positions when the blind slats are horizontal and when the indoor side surfaces of the blind slats are in the highest position (the light blocking side (convex face outward) is vertical), respectively.

In the case of a vertical blind, the blind slats shall be regarded as being in the 0° and 180° positions when the outdoor side surfaces of the blind slats are in the rightmost and leftmost positions, respectively, as seen from the inside. The blind slats shall be regarded as being in the 90° position when they are at the midpoint between the 0° and 180° positions.

(10) Open/close speed setting

This property indicates the opening and closing speed of the electrically operated shutter at 3 levels: low, medium or high.

(11) Electric lock setting

This property locks or unlocks an electrically operated shutter and acquires the lock status. The property value is 0x41 for the locked status and 0x42 for the unlocked status.

(12) Remote operation setting status

This property acquires whether an electrical shutter permits or prohibits remote operation from outside. The value is 0x41 (ON) when remote operation from outside is permitted and 0x42 (OFF) when it is prohibited. The value can be fixed at 0x41 (ON) at installation to use an electrically operated shutter not independently but always by remote operation.

(13) Selective degree-of-opening setting

This property indicates the setting to operate or stop an electrically operated shutter as specified by another property or device. The property value is 0x41 for operation by “Degree-of-opening setting” (0xE1), 0x42 for operation in the opening direction by “Operation time setting value” (0xD2), 0x43 for operation in the closing direction by “Operation time setting value” (0xD2), 0x44 for stop at a position stored

independently by the electrically operated shutter, and 0x45 for slit operation by the slit degree-of-opening setting property (0xED). User definition shall be permitted for a stop by opening level setting using a single signal.

(14) Open/closed status

This property acquires the open/closed status of an electrically operated shutter. In the fully open status, the shutter is stopped at the upper limit and the property value is 0x41. In the fully closed status, the shutter is stopped at the lower limit and the property value is 0x42. When the shutter has a slit, the slit should also be closed. In the opening operation status, the shutter is being operated in the opening direction and the property value is 0x43. In the closing operation status, the shutter is being operated in the closing direction and the property value is 0x44. When the shutter is stopped not at the upper or lower limit but halfway, the property value is 0x45.

(15) Slit degree-of-opening setting

This property indicates the degree of slit opening of a shutter with a slit by 8 levels and acquires the contents of the setting. The status on each level is not defined specifically. However, the property value is 0x31 for the most open status and 0x38 for the most closed status (not fully closed).

(16) One-time opening speed setting

This property specifies the speed in the opening direction once only by three levels (Low/Medium/High) and acquires the contents of the setting. The value is 0x41 for low speed, 0x42 for medium speed, 0x43 for high speed, and 0x44 for no setting. After single operation at the speed set by this property, the value changes to 0x44. When the value of this property is 0x44, the operation speed is as set by the opening speed setting property.

(17) One-time closing speed setting

This property specifies the speed in the closing direction once only by three levels (Low/Medium/High) and acquires the contents of the setting. The value is 0x41 for low speed, 0x42 for medium speed, 0x43 for high speed, and 0x44 for no setting. After single operation at the speed set by this property, the value changes to 0x44. When the value of this property is 0x44, the operation speed is as set by the closing speed setting property.

3. 3. 3 Requirements for electrically operated rain sliding door/shutter class

Class group code : 0x02

Class code : 0x63

Instance code : 0x01 to 0x7F (0x00: All-instance specification code)

Property name	EPC	Contents of property	Data type	Data size	Unit	Access rule	Mandatory	Announcement at status change	Remark
		Value range (decimal notation)							
Operation status	0x80	This property indicates the ON/OFF status.	unsigned char	1 byte	—	Set	○	○	
		ON = 0x30, OFF = 0x31				Get			
Fault description (Recoverable faults)	0x89	Fault description	unsigned short	2 bytes	—	Get		○	
		Lower order one byte Restarting the device by performing a reset operation = 0x02 Higher-order one byte Obstacle caught = 0x04 Recovery from outage = 0x05 Time out = 0x06 Battery low = 0x07 0x45 to 0xFF: Defined by user							
Timer operation setting	0x90	Turns the timer operation ON or OFF.	unsigned char	1 byte	—	Set/Get		○	
		ON = 0x41, OFF = 0x42							
Opening speed setting	0xD0	Used to specify the normal opening speed by three levels.	unsigned char	1 byte	—	Set/Get			
		Low = 0x41, Medium = 0x42, High = 0x43							
Closing speed setting	0xD1	Used to specify the normal closing speed by three levels.	unsigned char	1 byte	—	Set/Get			
		Low = 0x41, Medium = 0x42, High = 0x43							
Operation time	0xD2	Used to specify the operation time in seconds.	unsigned char	1 byte	second	Set/Get			
		0x00-0xFD (0-255 seconds)							
Open/close operation setting	0xE0	Open/Close/Stop	unsigned char	1 byte	—	Set/Get	○	○	
		Open = 0x41, Close = 0x42, Stop = 0x43							
Degree-of-opening setting	0xE1	Used to specify the degree-of-opening in %.	unsigned char	1 byte	—	Set/Get			
		0x00-0x64 (0-100%)							
Blind angle setting	0xE2	Blind angle	unsigned char	1 byte	degree	Set/Get			
		0x00-0xB4 (0-180°)							
Opening/closing	0xE3	Low/Medium/High	unsigned	1	—	Set/			

speed setting		Low = 0x41, Medium = 0x42, High = 0x43	char	byte		Get			
Electric lock setting	0xE5	Locks or unlocks an electric lock.	unsigned char	1 byte	—	Set/Get			
		Lock = 0x41, Unlock = 0x42							
Remote operation setting status	0xE8	Indicates whether remote operation is permitted or prohibited.	unsigned char	1 byte	—	Get		○	
		ON (permitted) = 0x41 OFF (prohibited) = 0x42							
Selective degree-of-opening setting	0xE9	Sets a stop at a specified value.	unsigned char	1 byte	—	Set/Get		○	
		Degree-of-opening setting position: Open = 0x41 Operation time setting value: Open = 0x42 Operation time setting value: Close = 0x43 Local setting position = 0x44 Slit degree-of-opening setting = 0x45 Hereinafter, defined by user (Shortcut to degree-of-opening setting, etc.)							
Open/closed status	0xEA	Indicates the open/closed status.	unsigned char	1 byte	—	Get		○	
		Fully open = 0x41, Fully closed = 0x42, Opening = 0x43, Closing = 0x44, Stopped halfway = 0x45							
Slit degree-of-opening	0xED	Used to specify the degree-of-opening by 8 levels.	unsigned char	1 byte	—	Set/Get			
		0x31 to 0x38							
One-time opening speed setting	0xEE	Used to specify the speed of single opening operation by three levels.	unsigned char	1 byte	—	Set/Get			
		Low = 0x41, Medium = 0x42, High = 0x43, None = 0x44	unsigned char						
One-time closing speed setting	0xEF	Used to specify the speed of single closing operation by three levels.	unsigned char	1 byte	—	Set/Get			
		Low = 0x41, Medium = 0x42, High = 0x43, None = 0x44							

Note: In the “Announcement at status change” column, ○ denotes mandatory processing when the property is implemented.

It is recommended that the electrically operated rain sliding door/shutter class is used when the shutter is mounted with windows, sliding doors, etc. and the electrically operated shutter class is used when the shutter is mounted alone.

(1) Operation status (inherited from the super class property)

This property indicates whether the electrically operated rain sliding door/shutter is

in the ON state (i.e. the electrically operated rain sliding door/shutter responds to user operation) or OFF state. The property value is 0x30 for ON and 0x31 for OFF. If an electrically operated rain sliding door/shutter ready to accept control commands at the start of a node where the electrically operated rain sliding door/shutter class is installed, the value can be fixed at 0x30 at installation.

- (2) Fault description (inherited from the device object super class property)
The description here is limited to what are not defined in the super class. This property acquires the description of recoverable faults about an electrically operated rain sliding door/shutter up to the detailed fault classification. The general fault classification shall be fixed at the lower-order byte, and 0x02 indicates a fault that can be recovered from by restarting the device by performing a reset operation in the super class classification. The detailed fault classification shall be fixed at the higher-order byte.
Obstacle caught = 0x04, Recovery from outage = 0x05, Time out = 0x06, Battery low = 0x07, 0x45 to 0xFF are defined by the user
- (3) Timer operation setting
The property value is 0x41 (ON) to enable timer operation that starts opening or closing at a time preset to the device or 0x42 (OFF) to disable timer operation. Then the contents of the setting are acquired.
- (4) Opening speed setting
This property specifies the speed in the opening direction as a repeatedly available value and indicates the speed by three levels (Low/Medium/High).
- (5) Closing speed setting
This property specifies the speed in the closing direction as a repeatedly available value and indicates the speed by three levels (Low/Medium/High).
- (6) Operation time setting value
When operation is set by the selective degree-of-opening setting property (0xE9), this property sets the operation time of an electrically operated rain sliding door/shutter in seconds and acquires the contents of the setting. The operation time is 0 to 253 seconds (0x00 to 0xFD).
- (7) Open/close operation setting
This property sets the opening/closing or stop operation of an electrically operated rain sliding door/shutter and acquires the contents of the setting. The property value

is 0x41 for opening, 0x42 for closing, and 0x43 for stop. The target of operation setting by this property is the fully open position after opening and the fully closed position after closing. For a stop at any other position, stop operation shall be set (0x43) during operation or the selective degree-of-opening setting property (0xE9) shall be used.

(8) Degree-of-opening setting

When “Degree-of-opening setting position: Open” (0x41) is set by the selective degree-of-opening property (0xE9), this property sets the degree-of-opening of an electrically operated rain sliding door/shutter within the range from 0 to 100% and acquires the operation result. The property value is 0x00 (Degree-of-opening: 0%) for a status closest to the closed status (not fully closed) and 0x64 (Degree-of-opening: 100%) for a status of the greatest opening (fully open). During the process of reaching the target position, the target of degree-of-opening setting position shall be returned.

(9) Blind angle setting value

This property indicates the blind angle of an electrically operated rain sliding door/shutter from the indoor side in degrees.

In the case of a horizontal blind, the slats are horizontal at 90 degrees and at the highest position inside the room (the light blocking side (convex face outward) is vertical) at 0 degree.

In the case of a vertical blind, the slats outside the room are at the rightmost position at 0 degree when viewed from inside the room, at the leftmost position at 180 degrees, and in the middle between them at 90 degrees.

(10) Opening/closing speed setting

This property indicates the opening/closing speed of an automatically operated rain sliding door/shutter by three levels (Low/Medium/High).

(11) Electric lock setting

This property locks or unlocks an electrically operated rain sliding door/shutter and acquires the lock status. The property value is 0x41 for the locked status and 0x42 for the unlocked status.

(12) Remote operation setting status

This property acquires whether an electrically operated rain sliding door/shutter permits or prohibits remote operation from outside. The value is 0x41 (ON) when remote operation from outside is permitted and 0x42 (OFF) when it is prohibited. The value can be fixed at 0x41 (ON) at installation to use an electrically operated

rain sliding door/shutter not independently but always by remote operation.

(13) Selective degree-of-opening setting

This property indicates the setting to operate or stop an electrically operated rain sliding door/shutter as specified by another property or device. The property value is 0x41 for operation by “Degree-of-opening setting” (0xE1), 0x42 for operation in the opening direction by “Operation time setting value” (0xD2), 0x43 for operation in the closing (retraction) direction by “Operation time setting value” (0xD2), 0x44 for stop at a position stored independently by the electrically operated rain sliding door/shutter, and 0x45 for slit operation by the slit degree-of-opening setting property (0xED). User definition shall be permitted for a stop by opening level setting using a single signal.

(14) Open/closed status

This property acquires the open/closed status of an electrically operated rain sliding door/shutter. In the fully open status, the rain sliding door/shutter is stopped at the upper limit and the property value is 0x41. In the fully closed status, the rain sliding door/shutter is stopped at the lower limit and the property value is 0x42. When the rain sliding door/shutter has a slit, the slit should also be closed. In the opening operation status, the rain sliding door/shutter is being operated in the opening direction and the property value is 0x43. In the closing operation status, the rain sliding door/shutter is being operated in the closing direction and the property value is 0x44. When the rain sliding door/shutter is stopped not at the upper or lower limit but halfway, the property value is 0x45.

(15) Slit degree-of-opening setting

This property indicates the degree of slit opening of a rain sliding door/shutter with a slit by 8 levels and acquires the contents of the setting. The status on each level is not defined specifically. However, the property value is 0x31 for the most open status and 0x38 for the most closed status (not fully closed).

(16) One-time opening speed setting

This property specifies the speed in the opening direction once only by three levels (Low/Medium/High) and acquires the contents of the setting. The value is 0x41 for low speed, 0x42 for medium speed, 0x43 for high speed, and 0x44 for no setting. After single operation at the speed set by this property, the value changes to 0x44. When the value of this property is 0x44, the operation speed is as set by the opening speed setting property.

(17) One-time closing speed setting

This property specifies the speed in the closing direction once only and by three levels (Low/Medium/High) and acquires the contents of the setting. The value is 0x41 for low speed, 0x42 for medium speed, 0x43 for high speed, and 0x44 for no setting. After single operation at the speed set by this property, the value changes to 0x44. When the value of this property is 0x44, the operation speed is as set by the closing speed setting property.

3. 3. 4 Requirements for electrically operated gate class

Class group code : 0x02

Class code : 0x64

Instance code : 0x01 to 0x7F (0x00: All-instance specification code)

Property name	EPC	Contents of property	Data type	Data size	Unit	Access rule	Mandatory	Announcement at status change	Remark
		Value range (decimal notation)							
Operation status	0x80	This property indicates the ON/OFF status.	unsigned char	1 byte	—	Set		○	
		ON = 0x30, OFF = 0x31				Get	○		
Fault description (Recoverable faults)	0x89	Fault description	unsigned short	2 bytes		Get		○	
		Lower order one byte Restarting the device by performing a reset operation = 0x02 Higher-order one byte Obstacle caught = 0x04 Recovery from outage = 0x05 Time out = 0x06 Battery low = 0x07 0x45 to 0xFF: Defined by user							
Opening speed setting	0xD0	Used to specify the normal opening speed by three levels.	unsigned char	1 byte		Set/Get			
		Low = 0x41, Medium = 0x42, High = 0x43							
Closing speed setting	0xD1	Used to specify the normal closing speed by three levels.	unsigned char	1 byte		Set/Get			
		Low = 0x41, Medium = 0x42, High = 0x43							
Operation time setting value	0xD2	Used to specify the operation time in seconds.	unsigned char	1 byte		Set/Get			
		0x00 to 0xFD (0 to 253 seconds)							
Opening/closing operation setting	0xE0	Open/Close/Stop	unsigned char	1 byte		Set/Get	○	○	
		Open = 0x41, Close = 0x42, Stop = 0x43							
Degree-of-opening setting	0xE1	Used to specify the degree-of-opening in %.	unsigned char	1 byte		Set/Get			
		0x00 to 0x64 (0 to 100%)							
Opening/closing speed setting	0xE3	Low/Medium/High	unsigned char	1 byte	—	Set/Get			
		Low = 0x41, Medium = 0x42, High = 0x43							
Electric lock setting	0xE5	Locks or unlocks an electric lock.	unsigned char	1 byte	—	Set/Get			
		Lock = 0x41, Unlock = 0x42							
Remote operation	0xE8	Indicates whether remote operation is permitted or prohibited.	unsigned	1	—	Get		○	

setting status		ON (permitted) = 0x41, OFF (prohibited) = 0x42	char	byte					
Selective degree-of-opening setting	0xE9	Sets a stop at a specified value.	unsigned char	1 byte	—	Set/Get		○	
		Degree-of-opening setting position: Open = 0x41 Operation time setting value: Open = 0x42 Operation time setting value: Close = 0x43 Local setting position = 0x44 Hereinafter, defined by user (Shortcut to degree-of-opening setting, etc.)							
Open/closed status	0xEA	Indicates the open/closed status.	unsigned char	2 bytes	—	Get		○	
		Fully open = 0x41, Fully closed = 0x42, Opening = 0x43, Closing = 0x44, Stopped halfway = 0x45							
One-time opening speed setting	0xEE	Used to specify the speed of single opening operation by three levels.	unsigned char	1 byte	—	Set/Get			
		Low = 0x41, Medium = 0x42, High = 0x43, None = 0x44							
One-time closing speed setting	0xEF	Used to specify the speed of single closing operation by three levels.	unsigned char	1 byte		Set/Get			
		Low = 0x41, Medium = 0x42, High = 0x43, None = 0x44							

Note: In the “Announcement at status change” column, ○ denotes mandatory processing when the property is implemented.

(1) Operation status (inherited from the super class property)

This property indicates whether an electrically operated gate is ready to accept control commands (ON) or not (OFF). The property value is 0x30 for ON and 0x31 for OFF. If an electrically operated gate becomes ready to accept control commands at the start of a node where the electrically operated gate class is installed, the value can be fixed at 0x30 at installation.

(2) Fault description (inherited from the super class property)

The description here is limited to what are not defined in the super class. This property acquires the description of recoverable faults about an electrically operated gate up to the detailed fault classification. The general fault classification shall be fixed at the lower-order byte, and 0x02 indicates a fault that can be recovered from by restarting the device by performing a reset operation in the super class classification. The detailed fault classification shall be fixed at the higher-order byte.

Obstacle caught = 0x04, Recovery from outage = 0x05, Time out = 0x06, Battery low = 0x07, 0x45 to 0xFF are defined by the user

(3) Opening speed setting

This property specifies the speed in the opening direction as a repeatedly available value and indicates the speed by three levels (Low/Medium/High).

(4) Closing speed setting

This property specifies the speed in the closing direction as a repeatedly available value and indicates the speed by three levels (Low/Medium/High).

(5) Operation time setting value

When operation is set by the selective degree-of-opening setting property (0xE9), this property sets the operation time of an electrically operated gate in seconds and acquires the contents of the setting. The operation time is 0 to 253 seconds (0x00 to 0xFD).

(6) Opening/closing operation setting

This property sets the opening/closing or stop operation of an electrically operated gate and acquires the contents of the setting. The property value is 0x41 for opening, 0x42 for closing, and 0x43 for stop. The target of operation setting by this property is the fully open position after opening and the fully closed position after closing. For a stop at any other position, stop operation shall be set (0x43) during operation or the selective opening operation setting property (0xE9) shall be used.

(7) Degree-of-opening setting

When “Degree-of-opening setting position: Open” (0x41) is set by the selective degree-of-opening property (0xE9), this property sets the degree-of-opening of an electrically operated gate within the range from 0 to 100% and acquires the operation result. The property value is 0x00 (Degree-of-opening: 0%) for a status closest to the closed status (not fully closed) and 0x64 (Degree-of-opening: 100%) for a status of the greatest opening (fully open). When the gate reaches the target position, the target degree-of-opening setting position shall be returned.

(8) Opening/closing speed setting

This property indicates the opening/closing speed of an electrically operated gate by three levels (Low/Medium/High).

(9) Electric lock setting

This property locks or unlocks an electrically operated gate and acquires the lock status. The property value is 0x41 for the locked status and 0x42 for the unlocked status.

(10) Remote operation setting status

This property acquires whether an electrically operated gate permits or prohibits remote operation from outside. The value is 0x41 (ON) when remote operation from outside is permitted and 0x42 (OFF) when it is prohibited. The value can be fixed at 0x41 (ON) at installation to use an electrically operated gate not independently but always by remote operation.

(11) Selective degree-of-opening setting

This property indicates the setting to operate or stop an electrically operated gate as specified by another property or device. The property value is 0x41 for operation by “Degree-of-opening setting” (0xE1), 0x42 for operation in the opening direction by “Operation time setting value” (0xD2), 0x43 for operation in the closing direction by “Operation time setting value” (0xD2), and 0x44 for stop at a position stored independently by the electrically operated gate. User definition shall be permitted for a stop by opening level setting using a single signal.

(12) Open/closed status

This property acquires the open/closed status of an electrically operated gate. In the fully open status, the gate is stopped at the upper limit and the property value is 0x41. In the fully closed status, the gate is stopped at the lower limit and the property value is 0x42. In the opening operation status, the gate is being operated in the opening direction and the property value is 0x43. In the closing operation status, the gate is being operated in the closing direction and the property value is 0x44. When the shutter is stopped not at the upper or lower limit but halfway, the property value is 0x45.

(13) One-time opening speed setting

This property specifies the speed in the opening direction once only and by three levels (Low/Medium/High) and acquires the contents of the setting. The value is 0x41 for low speed, 0x42 for medium speed, 0x43 for high speed, and 0x44 for no setting. After single operation at the speed set by this property, the value changes to 0x44. When the value of this property is 0x44, the operation speed is as set by the opening

speed setting property.

(14) One-time closing speed setting

This property specifies the speed in the closing direction once only and by three levels (Low/Medium/High) and acquires the contents of the setting. The value is 0x41 for low speed, 0x42 for medium speed, 0x43 for high speed, and 0x44 for no setting. After single operation at the speed set by this property, the value changes to 0x44. When the value of this property is 0x44, the operation speed is as set by the closing speed setting property.

3. 3. 5 Requirements for electrically operated window class

Class group code : 0x02

Class code : 0x65

Instance code : 0x01–0x7F (0x00: All-instance specification code)

Property name	EPC	Contents of property	Data type	Data size	Unit	Access rule	Mandatory	Announcement at status change	Remark
		Value range (decimal notation)							
Operation status	0x80	This property indicates the ON/OFF status.	unsigned char	1 byte	—	Set	○	○	
		ON = 0x30, OFF = 0x31				Get			
Fault description (Recoverable faults)	0x89	Fault description	unsigned short	2 bytes	—	Get		○	
		Lower order one byte Restarting the device by performing a reset operation = 0x02 Higher-order one byte Obstacle caught = 0x04 Recovery from outage = 0x05 Time out = 0x06 Battery low = 0x07 0x45 to 0xFF: Defined by user							
Timer operation setting	0x90	Turns the timer operation ON or OFF.	unsigned char	1 byte	—	Set/Get		○	
		ON = 0x41, OFF = 0x42							
Registered temperature detection status	0xC0	Indicates the detection of a registered temperature.	unsigned char	1 byte	—	Get			
		Registered temperature detected = 0x41 Registered temperature not detected = 0x42							
Rain detection status	0xC1	Indicates the detection of rain.	unsigned char	1 byte	—	Get			
		Rain detected = 0x41, Rain not detected = 0x42							
Opening speed setting	0xD0	Used to specify the normal opening speed by three levels.	unsigned char	1 byte	—	Set/Get			
		Low = 0x41, Medium = 0x42, High = 0x43							
Closing speed setting	0xD1	Used to specify the normal closing speed by three levels.	unsigned char	1 byte	—	Set/Get			
		Low = 0x41, Medium = 0x42, High = 0x43							
Operation time setting value	0xD2	Used to specify the operation time in seconds.	unsigned char	1 byte	second	Set/Get			
		0x00 to 0xFD (0 to 253 seconds)							
Automatic operation setting	0xD4	Turns automatic operation ON or OFF.	unsigned char	1 byte	—	Set/Get		○	
		ON = 0x41, OFF = 0x42							
Opening/closing operation setting	0xE0	Open/Close/Stop	unsigned char	1 byte	—	Set/Get	○	○	
		Open = 0x41, Close = 0x42, Stop = 0x43							

Degree-of-opening setting	0xE1	Used to specify the degree-of-opening in %. 0x00 to 0x64 (0 to 100%)	unsigned char	1 byte	—	Set/Get			
Opening/closing speed setting	0xE3	Low/Medium/High Low = 0x41, Medium = 0x42, High = 0x43	unsigned char	1 byte	—	Set/Get			
Electric lock setting	0xE5	Locks or unlocks an electric lock. Lock = 0x41, Unlock = 0x42	unsigned char	1 byte	—	Set/Get			
Remote operation setting status	0xE8	Indicates whether remote operation is permitted or prohibited. ON (permitted) = 0x41, OFF (prohibited) = 0x42	unsigned char	1 byte	—	Get		○	
Selective degree-of-opening setting	0xE9	Sets a stop at a specified value. Degree-of-opening setting position: Open = 0x41 Operation time setting value: Open = 0x42 Operation time setting value: Close = 0x43 Local setting position = 0x44 Hereinafter, defined by user (Shortcut to degree-of-opening setting, etc.)	unsigned char	1 byte	—	Set/Get		○	
Open/closed status	0xEA	Indicates the open/closed status. Fully open = 0x41, Fully closed = 0x42, Opening = 0x43, Closing = 0x44, Stopped half-way = 0x45	unsigned char	1 byte	—	Get		○	
One-time opening speed setting	0xEE	Used to specify the speed of single opening operation by three levels. Low = 0x41, Medium = 0x42, High = 0x43, None = 0x44	unsigned char	1 byte	—	Set/Get			
One-time closing speed setting	0xEF	Used to specify the speed of single closing operation by three levels. Low = 0x41, Medium = 0x42, High = 0x43, None = 0x44	unsigned char	1 byte	—	Set/Get			

Note: In the “Announcement at status change” column, ○ denotes mandatory processing when the property is implemented.

(1) Operation status (inherited from the super class property)

This property indicates whether an electrically operated window is ready to accept control commands (ON) or not (OFF). The property value is 0x30 for ON and 0x31 for OFF. If an electrically operated window becomes ready to accept control commands at the start of a node where the electrically operated window class is installed, the value can be fixed at 0x30 at installation.

(2) Fault description (inherited from the device object super class property)

The description here is limited to what are not defined in the super class. This property acquires the description of recoverable faults about an electrically operated window up to the detailed fault classification. The general fault classification shall be fixed at the

lower-order byte, and 0x02 indicates a fault that can be recovered from by restarting the device by performing a reset operation in the super class classification. The detailed fault classification shall be fixed at the higher-order byte.

Obstacle caught = 0x04, Recovery from outage = 0x05, Time out = 0x06, Battery low = 0x07, 0x45 to 0xFF are defined by the user

(3) Timer operation setting

The property value is 0x41 (ON) to enable timer operation that starts opening or closing at a time preset to the device or 0x42 (OFF) to disable timer operation. Then the contents of the setting are acquired.

(4) Registered temperature detection status

This property indicates whether a preregistered temperature has been reached. The property value is 0x41 when the registered temperature is detected and 0x42 when not.

(5) Rain detection status

This property indicates whether rain has been detected. The property value is 0x41 when rain has been detected and 0x42 when not.

(6) Opening speed setting

This property specifies the speed in the opening direction as a repeatedly available value and indicates the speed by three levels (Low/Medium/High).

(7) Closing speed setting

This property specifies the speed in the closing direction as a repeatedly available value and indicates the speed by three levels (Low/Medium/High).

(8) Operation time setting value

When operation is set by the selective degree-of-opening setting property (0xE9), this property sets the operation time of an electrically operated window in seconds and acquires the contents of the setting. The operation time is 0 to 253 seconds (0x00 to 0xFD).

(9) Automatic operation setting

The property value is set to 0x41 (ON) to enable the automatic operation of a device supporting automatic operation or 0x42 (OFF) to disable it. Then the contents of the

setting are acquired.

(10) Opening/closing operation setting

This property sets the opening/closing or stop operation of an electrically operated window and acquires the contents of the setting. The property value is 0x41 for opening, 0x42 for closing, and 0x43 for stop. The target of operation setting by this property is the fully open position after opening and the fully closed position after closing. For a stop at any other position, stop operation shall be set (0x43) during operation or the selective opening operation setting property (0xE9) shall be used.

(11) Degree-of-opening setting

When “Degree-of-opening setting position: Open” (0x41) is set by the selective degree-of-opening property (0xE9), this property sets the degree-of-opening of an electrically operated window within the range from 0 to 100% and acquires the operation result. The property value is 0x00 (Degree-of-opening: 0%) for a status closest to the closed status (not fully closed) and 0x64 (Degree-of-opening: 100%) for a status of the greatest opening (fully open). When the window reaches the target position, the target degree-of-opening setting position shall be returned.

(12) Opening/closing speed setting

This property indicates the opening/closing speed of an automatically operated window by three levels (Low/Medium/High).

(13) Electric lock setting

This property locks or unlocks an electrically operated window and acquires the lock status. The property value is 0x41 for the locked status and 0x42 for the unlocked status.

(14) Remote operation setting status

This property acquires whether an electrically operated window permits or prohibits remote operation from outside. The value is 0x41 (ON) when remote operation from outside is permitted and 0x42 (OFF) when it is prohibited. The value can be fixed at 0x41 (ON) at installation to use an electrically operated window not independently but always by remote operation.

(15) Selective degree-of-opening setting

This property indicates the setting to operate or stop an electrically operated window as

specified by another property or device. The property value is 0x41 for operation by “Degree-of-opening setting” (0xE1), 0x42 for operation in the opening direction by “Operation time setting value” (0xD2), 0x43 for operation in the closing direction by “Operation time setting value” (0xD2), and 0x44 for stop at a position stored independently by the electrically operated window. User definition shall be permitted for a stop by opening level setting using a single signal.

(16) Open/closed status

This property acquires the open/closed status of an electrically operated window. In the fully open status, the window is stopped at the upper limit and the property value is 0x41. In the fully closed status, the window is stopped at the lower limit and the property value is 0x42. In the opening operation status, the window is being operated in the opening direction and the property value is 0x43. In the closing operation status, the window is being operated in the closing direction and the property value is 0x44. When the window is stopped not at the upper or lower limit but halfway, the property value is 0x45.

(17) One-time opening speed setting

This property specifies the speed in the opening direction once only by three levels (Low/Medium/High) and acquires the contents of the setting. The value is 0x41 for low speed, 0x42 for medium speed, 0x43 for high speed, and 0x44 for no setting. After single operation at the speed set by this property, the value changes to 0x44. When the value of this property is 0x44, the operation speed is as set by the opening speed setting property.

(18) One-time closing speed setting

This property specifies the speed in the closing direction once only by three levels (Low/Medium/High) and acquires the contents of the setting. The value is 0x41 for low speed, 0x42 for medium speed, 0x43 for high speed, and 0x44 for no setting. After single operation at the speed set by this property, the value changes to 0x44. When the value of this property is 0x44, the operation speed is as set by the closing speed setting property.

3. 3. 6 Requirements for automatically operated entrance door/sliding door class

Class group code : 0x02

Class code : 0x66

Instance code : 0x01–0x7F (0x00: All-instance specification code)

Property name	EPC	Contents of property	Data type	Data size	Unit	Access rule	Mandatory	Announcement at status change	Remark
		Value range (decimal notation)							
Operation status	0x80	This property indicates the ON/OFF status.	unsigned char	1 byte	—	Set		○	
		ON = 0x30, OFF = 0x31				Get			
Fault description (Recoverable faults)	0x89	Fault description	unsigned short	2 bytes	—	Get		○	
		Lower order one byte Restarting the device by performing a reset operation = 0x02 Higher-order one byte Obstacle caught = 0x04 Recovery from outage = 0x05 Time out = 0x06 Battery low = 0x07 0x45 to 0xFF: Defined by user							
Opening speed setting	0xD0	Used to specify the normal opening speed by three levels.	unsigned char	1 byte	—	Set/Get			
		Low = 0x41, Medium = 0x42, High = 0x43							
Closing speed setting	0xD1	Used to specify the normal closing speed by three levels.	unsigned char	1 byte	—	Set/Get			
		Low = 0x41, Medium = 0x42, High = 0x43							
Operation time setting value	0xD2	Used to specify the operation time in seconds.	unsigned char	1 byte	second	Set/Get			
		0x00 to 0xFD (0 to 253 seconds)							
Opening time setting	0xD5	Used to specify the opening time. MM:SS	unsigned char × 2	2 bytes	—	Set/Get		○	
		0 to 0x3B:0 to 0x3B (= 0 to 59 minutes):(= 0 to 59 seconds) Released = 0xFFFF							
Opening/closing operation setting	0xE0	Open/Close/Stop	unsigned char	1 byte	—	Set/Get	○	○	
		Open = 0x41, Close = 0x42, Stop = 0x43							
Degree-of-opening setting	0xE1	Used to specify the degree-of-opening in %.	unsigned char	1 byte	—	Set/Get			
		0x00 to 0x64 (0 to 100%)							
Opening/closing	0xE3	Low/Medium/High	unsigned	1	—	Set/Get			

g speed setting		Low = 0x41, Medium = 0x42, High = 0x43	char	byte					
Remote operation setting status	0xE8	Indicates whether remote operation is permitted or prohibited.	unsigned char	1 byte	—	Get		○	
		ON (permitted) = 0x41, OFF (prohibited) = 0x42							
Selective degree-of-opening setting	0xE9	Sets a stop at a specified value.	unsigned char	1 byte	—	Set/Get		○	
		Degree-of-opening setting position: Open = 0x41 Operation time setting value: Open = 0x42 Operation time setting value: Close = 0x43 Local setting position = 0x44 Hereinafter, defined by user (Shortcut to degree-of-opening setting, etc.)							
Open/closed status	0xEA	Indicates the open/closed status.	unsigned char	1 byte	—	Get		○	
		Fully open = 0x41, Fully closed = 0x42, Opening = 0x43, Closing = 0x44, Stopped halfway = 0x45							
One-time opening speed setting	0xEE	Used to specify the speed of single opening operation by three levels.	unsigned char	1 byte	—	Set/Get			
		Low = 0x41, Medium = 0x42, High = 0x43, None = 0x44							
One-time closing speed setting	0xEF	Used to specify the speed of single closing operation by three levels.	unsigned char	1 byte	—	Set/Get			
		Low = 0x41, Medium = 0x42, High = 0x43, None = 0x44							

Note: In the “Announcement at status change” column, ○ denotes mandatory processing when the property is implemented.

(1) Operation status (inherited from the super class property)

This property indicates whether an electrically operated entrance door/sliding door is ready to accept control commands (ON) or not (OFF). The property value is 0x30 for ON and 0x31 for OFF. If an electrically operated entrance door/sliding door becomes ready to accept control commands at the start of a node where the electrically operated entrance door/sliding door class is installed, the value can be fixed at 0x30 at installation.

(2) Fault description (inherited from the super class property)

The description here is limited to what are not defined in the super class. This property acquires the description of recoverable faults about an electrically operated entrance door/sliding door up to the detailed fault classification. The general fault classification shall be fixed at the lower-order byte, and 0x02 indicates a fault that can be recovered from by restarting the device by performing a reset operation in the

super class classification. The detailed fault classification shall be fixed at the higher-order byte.

Obstacle caught = 0x04, Recovery from outage = 0x05, Time out = 0x06, Battery low = 0x07, 0x45 to 0xFF are defined by the user

(3) Opening speed setting

This property specifies the speed in the opening direction as a repeatedly available value and indicates the speed by three levels (Low/Medium/High).

(4) Closing speed setting

This property specifies the speed in the closing direction as a repeatedly available value and indicates the speed by three levels (Low/Medium/High).

(5) Operation time setting value

When operation is set by the selective degree-of-opening setting property (0xE9), this property sets the operation time of an electrically operated entrance door/sliding door in seconds and acquires the contents of the setting. The operation time is 0 to 253 seconds (0x00 to 0xFD).

(6) Opening time setting

This property sets the opening time for an automatically operated entrance door/sliding door that is closed automatically a certain time after opening and acquires the contents of the setting. The data format is MM: 0x00 to 0x3B (0 to 59 min) and SS: 0x00 to 0x3B (0 to 59 s). The property value for no automatic closing (left open) is 0xFFFF.

(7) Opening/closing operation setting

This property sets the opening/closing or stop operation of an electrically operated entrance door/sliding door and acquires the contents of the setting. The property value is 0x41 for opening, 0x42 for closing, and 0x43 for stop. The target of operation setting by this property is the fully open position after opening and the fully closed position after closing. For a stop at any other position, stop operation shall be set (0x43) during operation or the selective degree-of-opening property (0xE9) shall be used.

(8) Degree-of-opening setting

When “Degree-of-opening setting position: Open” (0x41) is set by the selective degree-of-opening property (0xE9), this property sets the degree-of-opening of an electrically operated entrance door/sliding door within the range from 0 to 100% and acquires the operation result. The property value is 0x00 (Degree-of-opening: 0%) for a status closest to the closed status (not fully closed) and 0x64 (Degree-of-opening: 100%) for a status of the greatest opening (fully open). When the entrance door/sliding door reaches the target position, the target degree-of-opening setting position shall be returned.

(9) Opening/closing speed setting

This property indicates the opening/closing speed of an automatically operated entrance door/sliding door by three levels (Low/Medium/High).

(10) Remote operation setting status

This property acquires whether an electrically operated entrance door/sliding door permits or prohibits remote operation from outside. The value is 0x41 (ON) when remote operation from outside is permitted and 0x42 (OFF) when it is prohibited. The value can be fixed at 0x41 (ON) at installation to use an electrically operated entrance door/sliding door not independently but always by remote operation.

(11) Selective degree-of-opening setting

This property indicates the setting to operate or stop an electrically operated entrance door/sliding door as specified by another property or device. The property value is 0x41 for operation by “Degree-of-opening setting” (0xE1), 0x42 for operation in the opening direction by “Operation time setting value” (0xD2), 0x43 for operation in the closing direction by “Operation time setting value” (0xD2), and 0x44 for stop at a position stored independently by the electrically operated entrance door/sliding door. User definition shall be permitted for a stop by opening level setting using a single signal.

(12) Open/closed status

This property acquires the open/closed status of an electrically operated entrance door/sliding door. In the fully open status, the entrance door/sliding door is stopped at the upper limit and the property value is 0x41. In the fully closed status, the entrance door/sliding door is stopped at the lower limit and the property value is 0x42. In the opening operation status, the entrance door/sliding door is being operated in the

opening direction and the property value is 0x43. In the closing operation status, the entrance door/sliding door is being operated in the closing direction and the property value is 0x44. When the entrance door/sliding door is stopped not at the upper or lower limit but halfway, the property value is 0x45.

(13) One-time opening speed setting

This property specifies the speed in the opening direction once only by three levels (Low/Medium/High) and acquires the contents of the setting. The value is 0x41 for low speed, 0x42 for medium speed, 0x43 for high speed, and 0x44 for no setting. After single operation at the speed set by this property, the value changes to 0x44. When the value of this property is 0x44, the operation speed is as set by the opening speed setting property.

(14) One-time closing speed setting

This property specifies the speed in the closing direction once only by three levels (Low/Medium/High) and acquires the contents of the setting. The value is 0x41 for low speed, 0x42 for medium speed, 0x43 for high speed, and 0x44 for no setting. After single operation at the speed set by this property, the value changes to 0x44. When the value of this property is 0x44, the operation speed is as set by the closing speed setting property.

3. 3. 7 Requirements for sprinkler (for garden) class

Class group code : 0x02

Class code : 0x67

Instance code : 0x01 to 0x7F (0x00: All-instance specification code)

Property name	EPC	Contents of property	Data type	Data size	Unit	Access rule	Mandatory	Announcement at status change	Remark
		Value range (decimal notation)							
Operation status	0x80	This property indicates the ON/OFF status.	unsigned char	1 byte	—	Set		○	
		ON=0x30, OFF=0x31				Get			
Sprinkle valve open/close setting	0xE0	Open/close of sprinkle valve	unsigned char	1 byte	—	Set/Get		○	
		Automatic ON=0x40 manual ON=0x41, manual OFF=0x42							
Sprinkle interval setting	0xE1	OFF/daily/every other day/every 3 days/once a week	unsigned long	1 byte	—	Set/Get			
		0x40/0x41/0x42/0x43/0x44							
Number of sprinkles setting	0xE2	Number of sprinkles in a day(up to 2 times) First ON/second ON/both ON	unsigned char	1 byte	—	Set/Get			
		0x41/0x42/0x43							
Sprinkle time setting 1	0xE3	Set timer value HH:MM and get updated time	unsigned char × 2	2 bytes	—	Set/Get			
		0-0x17 : 0-0x3B (=0-23) : (=0-59)							
Sprinkle time setting 2	0xE4	Set timer value HH:MM and get updated time	unsigned char × 2	2 bytes	—	Set/Get			
		0-0x17 : 0-0x3B (=0-23) : (=0-59)							
Sprinkle duration setting	0xE5	Set timer value MM 0 to 59 minutes	unsigned char	1 byte	—	Set/Get			
		0-0x3B (=0-59)							

Note: In the “Announcement at status change” column, ○ denotes mandatory processing when the property is implemented.

(1) Operation status (inherited from the super class property)

This property indicates whether the built-in function of the class is active or not (ON/OFF). For the node equipped with the class, it is possible for the property to be implemented with the fixed value 0x30 (operation status ON) if the function of the class begins to work as the node begins to work,.

(2) Sprinkle valve open/close setting

Sets the electromagnetic valve open/close of a sprinkler and gets open/close status. The 3 settings of automatic ON/manual ON/manual OFF are indicated with

0x40/0x41/0x42. Automatic ON maintains sprinkle valve to be open in the sprinkle the duration (0xE5). Manually open /close of sprinkler electromagnetic valve is set by manual ON or manual OFF.

(3) Sprinkle interval setting

This property indicates sprinkle interval of day (OFF/daily/ every other day/every 3 days/once a week) by 5 steps (0x40/0x41/0x42/0x43/0x44). OFF means no sprinkle.

(4) Number of sprinkles setting

This property indicates the number of sprinkles in a day. The number of sprinkles shall be up to 2 times. ON setting for the first sprinkle and ON setting for the second sprinkle are possible. The 3 steps of first ON/the second ON/the both ON are expressed by 0x41/0x42/0x43. The sprinkle time is set by 0xE3 (the first) and 0xE4 (the second).

(5) Sprinkle time setting 1

This property indicates the sprinkle time setting by hours: 0x00 to 0x17 (0 to 23) and minutes 0x00 to 0x3B (0 to 59). The property value shall begin with the high-order byte in the order of hour, minute.

(6) Sprinkle time setting 2

This property indicates the sprinkle time setting by hours: 0x00 to 0x17 (0 to 23) and minutes 0x00 to 0x3B (0 to 59). The property value shall begin with the high-order byte in the order of hour, minute.

(7) Sprinkle duration setting

This property indicates sprinkle duration and by minutes: 0x00 to 0x3B (0 to 59).

(8) Sprinkle time setting

This property indicates the current time setting by hours: 0x00 to 0x17 (0 to 23) and minutes 0x00 to 0x3B (0 to 59). The property value shall begin with the high-order byte in the order of hour, minute. This property is intended to be used for the purpose of setting the current time corresponds to the time set by ON timer and OFF timer.

(9) Current time setting

This property indicates the current time using by hours: 0x00 to 0x17 (0 to 23) and minutes 0x00 to 0x3B (0 to 59), and to acquire the current setting. The property value shall begin with the high-order byte in the order of hour, minute. This property

shall be effective even when the value of operation status property (0x80) is OFF (0x31).

3. 3. 8 Requirements for electric water heater class

Class group code : 0x02

Class code : 0x6B

Instance code : 0x01 to 0x7F (0x00: All-instance specification code)

Property name	EPC	Contents of property	Data type	Data size	Unit	Access rule	Mandatory	Announcement at status change	Remark
		Value range (decimal notation)							
Operation status	0x80	This property indicates the ON/OFF status.	unsigned char	1 byte	-	Set	○	○	
		ON = 0x30, OFF = 0x31				Get			
Automatic water heating setting	0xB0	Used to specify whether or not to use the automatic water heating function, and to acquire the current setting.	unsigned char	1 byte	-	Set/Get	○	○	
		Automatic water heating function used: 0x41 Non-automatic water heating function stopped: 0x43 Non-automatic water heating function used: 0x42							
Automatic water temperature control setting	0xB1	Used to specify whether or not to use the automatic water temperature control function, and to acquire the current setting.	unsigned char	1 byte	-	Set/Get			
		Automatic water temperature control function used: 0x41 Automatic water temperature control function not used: 0x42							
Water heater status	0xB2	This property indicates the current status of the water heater in terms of whether it is heating water or not.	unsigned char	1 byte	-	Get	○	○	
		Heating = 0x41 Not heating = 0x42							
Water heating temperature setting	0xB3	Used to specify (in °C) the temperature of heated water to be achieved, and to acquire the current setting.	unsigned char	1 byte	°C	Set/Get			
		0x00 to 0x64 (0 to 100°C)							
Manual water heating stop days setting	0xB4	Used to specify manually the number of days to stop "automatic water heating".	unsigned char	1 byte	day	Set/Get			
		0x00 to 0xFC (= 0 to 252 days) No time limit: 0xFD							
Relative time setting value for manual water heating OFF	0xB5	Timer value, HH:MM	unsigned char × 2	2 bytes	-	Set/Get			
		0x00 to 0x17 : 0x00 to 0x3B (= 0 to 23 hours):(= 0 to 59 minutes)							
Tank operation mode setting	0xB6	Used to specify the setting of operation mode.	unsigned char	1 byte	-	Set/Get			

		Standard = 0x41 Saving = 0x42 Extra = 0x43							
Daytime reheating permission setting	0xC0	Used to specify whether or not to permit daytime reheating, and to acquire the current setting.	unsigned char	1 byte	-	Set/Get	○		
		Daytime reheating permitted: 0x41 Daytime reheating not permitted: 0x42							
Measured temperature of water in water heater	0xC1	This property indicates the current temperature of the water in the water heater.	unsigned char	1 byte	°C	Get			
		0x00 to 0x64 (0 to 100°C)							
Alarm status	0xC2	This property indicates the status of an alarm.	unsigned char × 4	4 bytes	-	Get		○	
		First byte: Bit 0: Out of hot water 0 Normal 1 Alarm Bit 1: Water leaking 0 Normal 1 Alarm Bit 2: Water frozen 0 Normal 1 Alarm Bits 3–7: reserved for future use 2–4 bytes: reserved for future use							
Hot water supply status	0xC3	This property indicates the status of supplying hot water.	unsigned char	1 byte	-	Get	○	○	
		Supplying hot water = 0x41 Not supplying hot water = 0x42							
Relative time setting for keeping bath temperature	0xC4	Timer value HH:MM	unsigned char × 2	2 bytes	-	Set/Get			
		0x00 to 0x17 : 0x00 to 0x3B (= 0 to 23 hours):(= 0 to 59 minutes)							
Temperature of supplied water setting	0xD1	Used to specify the temperature of water supplied from the water heater in °C, and to acquire the current setting.	unsigned char	1 byte	°C	Set/Get			
		0x00 to 0x64 (0 to 100°C)							
Bath water temperature setting	0xD3	Used to specify (in °C) the temperature up to which the water heater will heat bath water, and to acquire the current setting.	unsigned char	1 byte	°C	Set/Get			
		0x00 to 0x64 (0 to 100°C)							
Bath water volume setting	0xE0	Used to specify (in %) the volume of bath water the bathtub will contain upon completion of heating, and to acquire the current setting.	unsigned char	1 byte	%	Set/Get			
		0x00 to 0x64 (0 to 100%)							
Measured amount of water remaining in tank	0xE1	This property indicates the measured amount of water left in the tank in liters.	unsigned short	2 bytes	liter	Get			
		0x0000 to 0xFFFD (0 to 65533 liters)							

Tank capacity	0xE2	This property indicates the tank capacity in liters.	unsigned short	2 bytes	liter	Get			
		0x0000 to 0xFFFFD (0 to 65533 liters)							
Automatic bath water heating mode setting	0xE3	Used to specify whether or not to use the “automatic bath water heating” mode, and to acquire the current setting.	unsigned char	1 byte	–	Set/Get	Ⓜ		
		“Automatic bath water heating” mode ON = 0x41 “Automatic bath water heating” mode OFF = 0x42							
Bathroom priority setting	0xE9	Used to specify whether or not to use the function of “priority bathroom.”	unsigned char	1 byte	–	Get			
		Priority bath ON = 0x41 Priority bath OFF = 0x42							
Bath operation status monitor	0xEA	This property indicates the status of bath operation.	unsigned char	1 byte	–	Get		○	
		Filling hot water = 0x41 Stopped = 0x42 Keeping temperature = 0x43							
Manual bath reheating operation setting	0xE4	Used to specify whether or not to use the function to reheat.	unsigned char	1 byte	–	Set/Get			
		Bath reheating ON = 0x41 Bath reheating OFF = 0x42							
Manual bath hot water addition function setting	0xE5	Used to specify whether or not to use the function to add hot water to the bath water in the bathtub, and to acquire the current setting.	unsigned char	1 byte	–	Set/Get			
		“Addition of hot water” function ON = 0x41 “Addition of hot water” function OFF = 0x42							
Manual lukewarm water temperature lowering function setting	0xE6	Used to specify whether or not to use the “lukewarm water temperature lowering” function, and to acquire the current setting.	unsigned char	1 byte	–	Set/Get			
		“Lukewarm water temperature lowering” function ON = 0x41 “Lukewarm water temperature lowering” function OFF = 0x42							
Bath water volume setting 1	0xE7	Used to specify the bath water volume in liters, and to acquire the current setting.	unsigned char	1 byte	liter	Set/Get			
		0x00 to 0xFD (0 to 253 liters)							
Bath water volume setting 2	0xE8	Used to specify the bath water volume by selecting a level from among the eight predefined levels, and to acquire the current setting.	unsigned char	1 byte	–	Set/Get			
		0x31 to 0x38							
Bath water volume setting 3	0xEE	Used to specify the bath water volume in liters, and to acquire the current setting.	unsigned short	2 bytes	liter	Set/Get			
		0x0000 to 0xFFFFD (0 to 65533 liters)							
Bath water volume setting 4	0xD4	The bath hot water volume is specified by a number of steps.	unsigned char	1 byte	–	Set/Get			
		0x01 to 0xFF							

Bath water volume setting 4- Maximum settable level	0xD5	The maximum settable level is the top step of Bath water volume setting 4.	unsigned char	1 byte	-	Get			
		0x01 to 0xFF							
ON timer reservation setting	0x90	Reservation ON/OFF	unsigned char	1 byte	-	Set/Get			
		Reservation ON = 0x41 Reservation OFF = 0x42							
ON timer setting	0x91	ON timer setting (HH:MM)	unsigned char × 2	2 bytes	-	Set/Get			
		0 to 0x17 : 0 to 0x3B (= 0 to 23);(= 0 to 59)							
Volume setting	0xD6	Used to set the volume output from the operating units and to acquire the setting status.	unsigned char	1 byte	%	Set/Get			
		0x00 to 0x64 (0 to 100)							
Mute setting	0xD7	Used to set the volume mute status output from the operating units and to acquire the setting status.	unsigned char	1 byte	-	Set/Get			
		Mute ON =0x30, Mute OFF = 0x31							
Remaining hot water volume	0xD8	This property indicate the remaining hot water volume in liters.	unsigned short	2 byte	liter	Get			
		0x0000 to 0xFFFFD (0 to 655331)							
Surplus electric energy power prediction value	0xD9	A 24-hour period in the future, including the time at which the surplus electric power prediction value serves as the base point, is indicated as a property value in time series, beginning with the high-order byte.	Month, date, hour unsigned char × 3 + short × 24	51 byte	10 Wh	Set/Get			
		1 to 3 bytes: Base date and time MM : DD : hh 4 to 51 bytes: Surplus power prediction value in units of 1 hour (24 segments, 2 bytes each) -327,670 to +327,650 Invalid value is 0x8000							
Rated power consumption of H/P unit in wintertime	0xDB	This property indicates the rated power consumption of the heat pump in wintertime (December to March)	unsigned short	2 bytes	W	Get			
		0x0000 to 0xFFFFD (0 to 65,533)							
Rated power consumption of H/P unit in in-between seasons	0xDC	This property indicates the rated power consumption of the heat pump in in-between seasons (April, May, October, November)	unsigned short	2 bytes	W	Get			
		0x0000 to 0xFFFFD (0 to 65,533)							
Rated power consumption of H/P unit in summertime	0xDD	This property indicates the rated power consumption of the heat pump in summertime (June to September)	unsigned short	2 bytes	W	Get			
		0x0000 to 0xFFFFD (0 to 65,533)							
Participation in energy shift	0xC7	This property indicates a response in energy shift. The value is set when a value is determined at participation request and cleared at the heating shift time (0x00).	unsigned char	1 byte	-	Set/Get	o		Note 2
		Participation/non-participation (0x01/0x00)							

Standard time to start heating	0xC8	Time when daytime heating shift time 1 and daytime heating shift time 2 are determined (only for devices that carry out energy shifts twice).	unsigned char	1 byte	—	Get	○		Note 2
		20:00/21:00/22:00/23:00/24:00/01:00 (0x14, 0x15, 0x16, 0x17, 0x18, 0x01)							
Number of energy shifts	0xC9	Check the number of energy shifts carried out	unsigned char	1 byte	—	Get	○		Note 2
		Once/twice (0x01, 0x02)							
Daytime heating shift time 1	0xCA	This property indicates “daytime heating shift time 1” for the first time. The value when there are no settings shall be defined as 0x00.	unsigned char	1 byte	—	Set/Get	○		Note 2
		0x09: 9:00, 0x0A: 10:00, 0x0B: 11:00, 0x0C: 12:00 0x0D: 13:00, 0x0E: 14:00, 0x0F: 15:00, 0x10: 16:00 0x11: 17:00 (this value is nullified if energy shifts occur twice) 0x00: cleared							
Expected electric energy at daytime heating shift time 1	0xCB	This property indicates the expected electric energy 1 required for heating for “daytime heating shift time 1” set as “daytime standard time to start heating”.	unsigned long x 4	16 byte	Wh	Get	○		Note 2
		This property indicates electric power in Wh according to shift time, corresponding to these times in sequence: 10:00, 13:00, 15:00, and 17:00. The value is set when a value is determined at a time to determine consumption of electric energy at every shift time and a data at every time is cleared (0x00000000) at the daytime heating shift time 1.							
Consumption of electric energy per hour 1	0xCC	This property indicates electric energy 1 that the HP water heater consumes per hour when shifting to “daytime heating shift time 1”.	unsigned short x 4	8 byte	Wh	Get	○		Note 2
		The value is set when a value is determined at a time to determine consumption of electric energy at every shift time and a data at every time is cleared (0x0000) at the daytime heating shift time 1.							
		0x0000-0xFFFFD (0-4,294,967,293 W) 10:00, 13:00, 15:00, 17:00							
		0x0000-0xFFFFD (0-65,533 W) When shifting at 10:00, 13:00, 15:00, and 17:00 0x0000: cleared							
Daytime heating shift time 2	0xCD	This property indicates “daytime heating shift time 1” for the first time. The value when no setting shall be defined as 0x00.	unsigned char	1 byte	—	Set/Get	○		Note 2 Note 3

		0x0A: 10:00, 0x0B: 11:00, 0x0C: 12:00 0x0D: 13:00, 0x0E: 14:00, 0x0F: 15:00, 0x10: 16:00 0x11: 17:00, 0x00: cleared							
Expected electric energy at daytime heating shift time 2	0xCE	This property indicates expected electric energy 2 required for heating (for second time in the shift) for “daytime heating shift time 2” set as “daytime standard time to start heating”.	unsigned long x 3	12 byte	Wh	Get	○		Note 2 Note 3
		This property indicates electric power in Wh according to shift time, corresponding to these times in sequence: 13:00, 15:00, and 17:00. The value is set when a value is determined at a time to determine consumption of electric energy at every shift time and a data at every time is cleared (0x00000000) at the daytime heating shift time 2.							
		0x00000000-0xFFFFFFFF (0-4,294,967,293 W) 13:00, 15:00, 17:00							
Consumption of electric energy per hour 2	0xCF	This property indicates electric energy 2 that the HP water heater consumes per hour when shifting “daytime heating shift time 2”.	unsigned short x 3	6 byte	Wh	Get	○		Note 2 Note 3
		The value is set when a value is determined at a time to determine consumption of electric energy at every shift time and a data at every time is cleared (0x0000) at the daytime heating shift time 2.							
		0x0000-0xFFFF (0-65,533W) When shifting at 13:00, 15:00, and 17:00 0x0000: cleared							

Note 1: In the “Announcement at status change” column, ○ denotes mandatory processing when the property is implemented.

Note 2: Use the device on the assumption that an agreement between service provider and user of devices implementing this class is obtained for energy shift (daytime heating). Note that the standard time to start heating may be determined when establishing a contract.

Note 3: Devices with two energy shifts must implement this function.

This class is intended for use with storage-type electric water heaters (including the heat pump type). For instantaneous water heaters that use fossil fuels such as gases and kerosene, it is recommended that the “Instantaneous water heater” class (Class group code 0x02, Class code 0x72) be used.

When electric water heaters include both the functions of a water heater that has the function of mixing cold water from the water supply mains with hot water that has

been heated by means of heat exchange using a heat source (such as an electric heater or heat pump and the like) and stored as hot water, and a bath water heater that has the function of circulating hot or cold water filled in the bathtub while heating by means of heat exchange using the bath heat source unit, or the function of adding stored hot water to the bathtub, these two shall be distinguished by using the terms “water heaters” (or water heating) and “bath water heaters (or bath water heating).”

(1) Operation status (inherited from the device object super class property)

This property indicates whether the function native to this class is operating or not (ON/OFF). In the node mounting this class, if the function of this class is started concurrently with the start of node operation, this property may be implemented at a fixed value of 0x30 (Operation status ON).

(2) Automatic water heating setting

Sets whether the water heating operation in the tank using electric power is performed automatically or not. The automatic water heating function shall be 0x41, the non-automatic water heating function shall be 0x42 and the non-automatic water heating function stopped shall be 0x43.

(3) Automatic water temperature control setting

This property indicates as automatic or non-automatic the temperature value of the electric hot water in the tank depending on the algorithm, etc. Automatic shall be 0x41. Non-automatic shall be 0x42.

(4) Water heater status

This property indicates whether the electric hot water in the tank is presently being heated or not. Presently heating shall be 0x41. Not heating shall be 0x42.

(5) Water heating temperature setting

This property indicates the °C setting value for heating water in the tank. The property value range is 0x00 to 0x64 (0 to 100°C). 0xFD shall be returned when the “Water heating temperature setting” is unknown or not fixed because the “Automatic water temperature control” setting has been specified.

(6) Manual water heating stop days setting

This property sets the number of days until return to “Automatic water heating” (= 0x41) when “water heating auto setting” (EPC = 0xB0) is “Manual water heating stop” (= 0x43), and acquires the updated number of days. The setting range is 0x00 to 0xFC (0 to 252 days). When the number of days until return to “Automatic water heating” (= 0x41) is infinite, the property value shall be 0xFD. When the property

value of the actual device is higher than the upper limit of the value range, the overflow code 0xFF shall be used. When the property value is lower than the lower limit of the value range, the underflow code 0xFE shall be used. This property is valid only when “Water heating auto setting” (EPC = 0xB0) is “Manual water heating stop” (= 0x43).

(7) Relative time setting value for manual water heating OFF

This property indicates the time when “Water heating auto setting” (EPC = 0xB0) returns from “Manual water heating” (= 0x42) to “Automatic water heating” (= 0x41) as a relative time and acquires the updated time. The data format is HH: 0x00 to 0x17 (0 to 23) and MM: 0x00 to 0x3B (0 to 59). The property value is HHMM in order from the highest-order byte. This property is valid only when “Water heating auto setting” (EPC = 0xB0) is “Manual water heating” (= 0x42).

(8) Tank operation mode setting

This property indicates the setting of the operation mode for water heating in the tank. This property is valid only when “Water heating auto setting” (EPC = 0xB0) is “Automatic water heating: 0x41.” The property value is 0x41 for Standard, 0x42 for Saving, and 0x43 for Extra.

Saving: In this mode, less hot water is available than in Standard mode and the power consumption is smaller.

Extra: In this mode, more hot water is available than in Standard mode and the power consumption is greater.

(9) Daytime reheating permission setting

This property indicates permission/prohibition of the permission setting for daytime reheating of the water in the tank. Daytime reheating permitted shall be 0x41. Daytime reheating prohibited shall be 0x42.

(10) Measured temperature of water in water heater

This property indicates the temperature in °C at the present time of hot water inside the tank. The property value range is 0x00 to 0x64 (0 to 100°C).

(11) Alarm status

Out of hot water

If boiling prohibition is set or the possibility of a hot water shortage is detected during boiling control, this alarm is output.

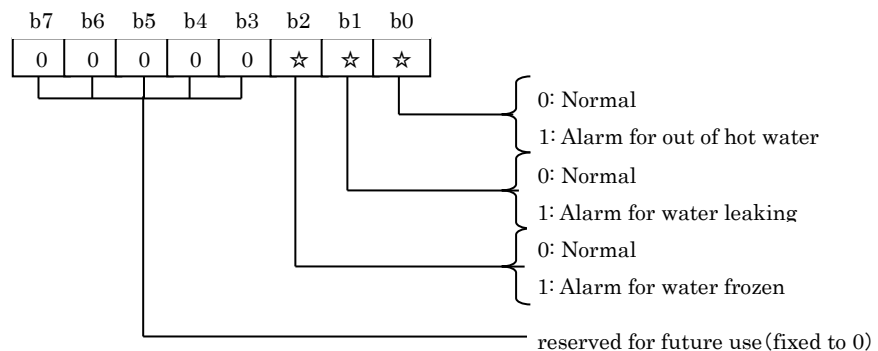
Water leaking

If a continuous hot water outflow longer than usual daily use is detected, this alarm is output.

Water frozen

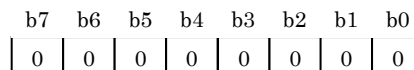
If a possibility of freezing inside equipment or external piping is detected, this alarm is output.

Byte 1:



Bytes 2–4:

reserved for future use (fixed to 0)



(12) Hot water supply status

This property indicates whether hot water is supplied from a tap in the kitchen or a shower in the bathroom. The property value is 0x41 for “Supplying hot water” and 0x42 for “Not supplying hot water.” This property does not apply to hot water for a bath.

For “Life watching service,” “Announcement at status change” is mandatory.

(13) Relative time setting for keeping bath temperature

This property sets the hot water keeping time of “Bath operation status monitor” (EPC = 0xEA) as a relative value. The data format is HH: 0x00 to 0x17 (0 to 23) and MM: 0x00 to 0x3B (0 to 59). The property value is HHMM in order from the highest-order byte.

(14) Temperature of supplied water setting

This property indicates the temperature setting in °C for the electric water heater supply to a hot water supply terminal. The property value range is 0x00 to 0x64 (0 to 100°C).

(15) Bath water temperature setting

This property indicates the bath water heating temperature setting in °C. The property value range is 0x00 to 0x64 (0 to 100°C).

This property can double as a property for the bath heat keeping temperature when bath automatic mode is implemented in a water heater.

(16) Bath water volume setting

This property sets the water heating hot water volume as a percentage of the tank capacity. The property value range is 0x00 to 0x64 (0 to 100%).

(17) Measured amount of water remaining in tank

This property indicates the measured amount of water left in the tank in liters. The property value range is 0x0000 to 0xFFFFD (0 to 65,533 liters). When the property value of the actual device is higher than the upper limit of the property value range, the overflow code 0xFFFF shall be used. When the property value is lower than the lower limit of the property value range, the underflow code 0xFFFE shall be used.

(18) Tank capacity

This property indicates the tank capacity in liters. The property value range is 0x0000 to 0xFFFFD (0 to 65533 liters). When the property value of the actual device is higher than the upper limit of the property value range, the overflow code 0xFFFF shall be used. When the property value is lower than the lower limit of the property value range, the underflow code 0xFFFE shall be used

(19) Automatic bath water heating mode setting

This property indicates whether the bath auto mode is ON or OFF. The property value shall be 0x41 (bath auto mode ON) or 0x42 (bath auto mode OFF). In the case where a “mobile service” is to be supported, the implementation of this property is mandatory.

Because of specification differences between water heaters, the definition of bath automatic operation mode shall depend on the implementation. In general, the mode refers to a series of operations of “supplying hot water, adding hot water, reheating, and keeping bath temperature” or “unplugging (draining), washing, plugging, supplying hot water, adding hot water, reheating, and keeping bath temperature.”

(20) Bathroom priority setting

This property indicates whether a water heater is controlled or operated with priority to bath. The property value is 0x41 for Priority to bath ON and 0x42 for Priority to bath OFF. For safety, only Get shall be supported. The contents of priority shall depend on the implementation.

Example of device implementation: When Priority to bath is ON, the temperature of hot water can be changed only from the remote controller in the bathroom. It is prohibited to use the water temperature from any other remote controller or HEMS.

(21) Bath operation status monitor

This property monitors the status of a bath tub in bath auto mode.

When bath auto mode is set (ON: 0x41), the bath tub status is monitored. The property value is 0x41 for “Filling hot water,” 0x43 for “Keeping temperature,” and 0x42 for “Stopped.”

This property indicates the value of “Automatic bath water heating mode setting (EPC=0xE3)” is Auto ON (0x41).

Filling hot water (0x41): Including reheating up to the target temperature after filling

Keeping temperature (0x43): Including water adding and reheating while keeping the temperature

Bath operation status monitor indicates “Stopped” when bath auto mode is set to OFF.

(22) Manual bath reheating operation setting

This property indicates whether bath reheating is ON or OFF. The property value is 0x41 for “Bath reheating ON” and 0x42 for “Bath reheating OFF.”

(23) Manual bath hot water addition function setting

This property indicates whether the bath hot water adding operation is ON or OFF. The property value shall be 0x41 (bath hot water adding operation ON) or 0x42 (bath hot water adding operation OFF).

(24) Manual Lukewarm water temperature lowering function setting

This property indicates whether the bath hot water temperature lowering operation is ON or OFF. The value 0x41 indicates that the bath hot water temperature lowering operation is ON. The value 0x42 indicates that the bath hot water temperature lowering operation is OFF. When the bath hot water temperature lowering operation is ON, water will be added to the bath to lower the bath hot water temperature.

(22) “Manual bath reheating operation setting,” (23) “Manual bath hot water addition function setting,” and (24) “Manual Lukewarm water temperature lowering function setting” are possible, irrespective of (19) “Bath auto mode setting,” except when the bath is being filled with hot water.

(25) Bath water volume setting 1

This property indicates the bath hot water volume in liters. The property value range is 0x00 to 0xFD (0 to 253 L). When the property value of the actual device is higher than the property value range, the overflow code 0xFF shall be used. When the property value is lower than the property value range, the underflow code 0xFE shall be used.

(26) Bath water volume setting 2

Sets the bath hot water volume. Eight different levels are available. The values 0x31 and 0x38 represent the minimum and maximum settings, respectively. Specific volume values for the eight different levels are not stipulated.

(27) Bath water volume setting 3

Used to specify the bath water volume in liters, and to acquire the current setting. The property value range is 0x0000 to 0xFFFFD (0 to 65533 liters). When the property value of the actual device is higher than the upper limit of the property value range, the overflow code 0xFFFF shall be used. When the property value is lower than the lower limit of the property value range, the underflow code 0xFFFE shall be used.

(28) Bath water volume setting 4

This property sets the bath water volume. The minimum value is 0x01 and the maximum value is “Bath water volume setting 4 - Maximum settable level.” No actual value is specified for each level. This property is related to “Bath water volume setting 4 - Maximum settable level.”

(29) Bath water volume setting 4 - Maximum settable level

This property indicates the maximum settable level of Bath water volume setting 4. The minimum value is 0x01 and the maximum value is 0xFF. No actual value is specified for each level. This property is related to “Bath water volume setting 4.”

(30) Rated power consumption of H/P unit in wintertime

This property indicates the rated power consumption of the heat pump in wintertime (to supply hot water at 65°C and water at 9°C) in watts. The property value range is 0x0000 to 0xFFFFD (0 to 65,533). When the property value of the actual device is higher than the upper limit of the value range, 0xFFFF (overflow code) shall be used. When the property value of the actual device is lower than the lower limit of the value range, 0xFFFE (underflow code) shall be used.

(31) Rated power consumption of H/P unit in in-between seasons

This property indicates the rated power consumption of the heat pump in in-between seasons (to supply hot water at 65°C and water at 17°C) in watts. The property value range is 0x0000 to 0xFFFFD (0 to 65,533). When the property value of the actual device is higher than the upper limit of the value range, 0xFFFF (overflow code) shall be used. When the property value of the actual device is lower than the lower limit of the value range, 0xFFFFE (underflow code) shall be used.

(32) Rated power consumption of H/P unit in summertime

This property indicates the rated power consumption of the heat pump in summertime (to supply hot water at 65°C and water at 24°C) in watts. The property value range is 0x0000 to 0xFFFFD (0 to 65533). When the property value of the actual device is higher than the upper limit of the value range, 0xFFFF (overflow code) shall be used. When the property value of the actual device is lower than the lower limit of the value range, 0xFFFFE (underflow code) shall be used.

(33) ON timer reservation setting

This property indicates whether the bath auto mode reservation is ON or OFF. The property value shall be 0x41 (reservation ON) or 0x42 (reservation OFF). This property is related to the “Set value of ON timer time”.

(34) ON timer setting

When the “ON timer reservation setting” is ON, this property indicates the time at which the bath auto mode setting (EPC = 0xE3) turns ON (0x41). The time is indicated in hours and minutes (hour: 0x00 to 0x17 (0 to 23); minute: 0x00 to 0x3B (0 to 59)). The property value shall sequentially indicate the hour and minute, beginning with the high-order byte.

(35) Volume setting

“Set” of this property is used to set the volume of operating sounds, voice guidance, notification melodies, interphone and others output from remote controllers and other operating units, etc.

“Get” of this property is used to acquire the value of the current volumesetting.

This property indicates the volume value by percentage. The value is 0 (0x00) for the minimum volume and 100 (0x64) for the maximum volume of each device.

(36) Mute setting

“Set” of this property is used to set the volume mute output from operating units ON and OFF.

“Get” of this property is used to acquire the value of the current mute status.

Mute ON indicates that voice is not output, mute OFF indicates that voice is output.

Property values 0x30 and 0x31 correspond to mute ON and OFF, respectively.

The correlation between the “mute setting” property and the “volume setting” property shall depend on implementation.

(Example 1: If the value of the volume setting property is 20 when the mute function is OFF, the value of the volume setting property remains unchanged at 20 even after the mute function is turned ON. On the other hand, when the mute function is ON, the value of the volume setting property may be 0 in some cases.)

(Example 2: If the value of the volume setting property is 20 when the mute function is OFF, the value of the volume setting property remains 20 even after the mute function is turned from OFF to ON and back to OFF. On the other hand, the value of the volume setting property may be 0.)

(37) Remaining hot water volume

This property indicates, in units of liters, the volume of hot water that can be supplied by an electric water heater to a tap in the kitchen, a shower in the bathroom or other hot water outlet. The property value range is 0x0000 to 0xFFFFD (0 to 65,533 liters). If the property values of actual devices exceed the property value range, the overflow code 0xFFFF shall be used. If the property values of actual devices are lower than the lower limit of the property value range, the underflow code 0xFFFFE shall be used.

(38) Surplus electric energy prediction value

The “Surplus electric energy prediction value” is the value obtained upon subtracting the predicted electric energy consumption from the predicted electric energy generation amount of an electric power system to which an electric water heater is connected, and indicates a future 24-hour period, including the time that serves as a base point, in units of one hour in time series, beginning with the high-order byte.

The predicted electric energy consumption of an electric water heater that is subject to control is not included.

If there are multiple electric water heaters, there is to be only one electric water heater that is subject to control, which can be set in the controller instance.

Although the time at which to set the surplus electric energy prediction value is not specified, it is recommended for the value to be set before nighttime for night devices.

(39) Participation in energy shift

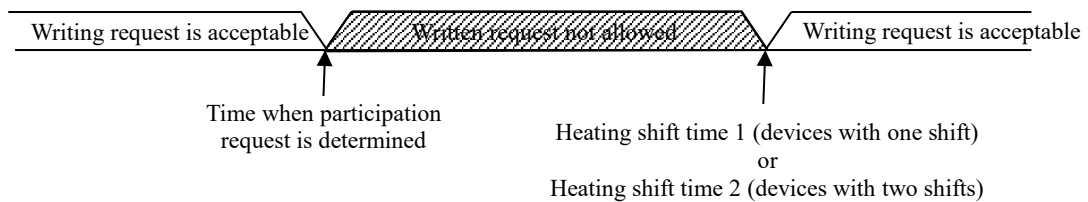
The controller shall set a response to energy shift for the following day, until time to determine participation request.

Participation/non-participation (0x01/0x00)

Values other than the above are nullified and not participate in energy shift. Note: (deemed as =0x00)

HP water heater shall incorporate and fix values of this property at the time of determining participation request. Values incorporated after the time above are nullified and not to be carried out. The values of this property shall be set as “non-participation: 0x00” to daytime heating shift time 1 (devices with an energy shift) or daytime heating shift time 2 (devices with two energy shifts).

In cases where daytime heating shift time 1 (devices with an energy shift) or daytime heating shift time 2 (devices with two energy shifts) is set, energy shift participation property cannot be changed from the time to determine participation request to the daytime heating shift time 1 (devices with an energy shift), or during the daytime heating shift time 12 (devices with two energy shifts).



Can participate in energy shifts only when automatic heating setting is set to “automatic”.

This property shall be changed to “non-participation” when the heating automatic setting property is set to “manual” or “manual stop”, when the energy shift participation status property is set to “participation”.

Event \ Status		Period that writing request is unacceptable	
		Participation (0x01)	Non-Participation (0x00)
Automatic setting	Heating Automatic	Participation (energy shift)	Non-participation (automatic)
	Heating (manual)	Non-participation (manual heating)	Non-participation (manual heating)
	Heating manual stop	Non-participation (heating manual stop)	Non-participation (heating manual stop)

Also refer the detailed sequence described in the application communication interface

specifications.

Note: The device operates as a nighttime heat accumulator as usual when it is not participating in energy shifts.

(40) Standard time to start heating

HP water heaters shall return to the standard time to start heating determined at the time of the energy shift contract established between the servicer and user.

The time to return shall be each of the following hours on the hour between 20:00 and 1:00:

20:00, 21:00, 22:00, 23:00, 24:00, 01:00 (0x14, 0x15, 0x16, 0x17, 0x18, 0x01)

Values other than the above are nullified and not implement heating shift.

Also refer the detailed sequence described in application communication interface specification.

This property setting has no meaning if energy shift participation status is set to “non-participation”.

(41) Number of energy shifts

Returns the number of energy shift times (daytime heating) that the device carries out.

The number of energy shifts shall be either one or two.

Also refer the detailed sequence described in application communication interface specification.

This property setting has no meaning if energy shift participation status is set to “non-participation”.

(42) Daytime heating shift time 1 (D1 of Fig. 3-4 and D1 of Fig. 3-5)

Daytime heating shift time 1 is set for HP water heaters when energy shift participation status property is set to participation (0x01). Set value is nullified in case of non-participation (0x00), so that HP water heaters shall not carry out an energy shift.

Property values shall be any one of the following:

No energy shift (daytime heating) shall be carried out when any value other than the ones below is designated.

0x09: 9:00, 0x0A: 10:00, 0x0B: 11:00, 0x0C: 12:00

0x0D: 13:00, 0x0E: 14:00, 0x0F: 15:00, 0x10: 16:00

0x11: 17:00 (this value is nullified if number of energy shift is 2)

HEMS controller writes a value of this property after the time to fix the standard time to start heating, while HP water heater takes and fixes a value of this property to the

standard time to start heating. HP water heater clears value of this property (0x00) set to the daytime heating shift time 1.

Values incorporated after the time above are nullified and not to be carried out.

No energy shift is carried out if a time other than the one above is written.

This property shall be cleared (0x00) when heating automatic setting property is set to “manual” or “manual stop”, when energy shift participation status property is set to “participation”.

Also refer the detailed sequence described in application communication interface specification.

This property setting has no meaning if energy shift participation status is set to “non-participation”.

(43) Heating electrical power at daytime heating shift time 1 (C1 of Fig. 3-4 and C1 of Fig. 3-5)

Expected electric energy required for heating at every time indicated as daytime heating shift time 1 shall be indicated in Wh. The value is sorted in order of 10:00, 13:00, 15:00, and 17:00.

The property value range at every shift time shall be 0x00000000 to 0xFFFFFFFF (0 to 4,294,967,293W). When the property value of the actual device exceeds this property value range, the overflow code 0xFFFFFFFF shall be used. When said value falls below the property value range, the underflow code 0xFFFFFFF0 shall be used.

The value is set when a value is determined at a time to determine consumption power at every shift time and four values of this property are cleared (0x00000000) at the daytime heating shift time 1.

This property shall be cleared (0x00000000) in a similar manner when heating automatic setting property is set to “manual” or “manual stop”, when energy shift participation status property is set to “participation”.

Also refer the detailed sequence described in application communication interface specification.

This property setting has no meaning if energy shift participation status is set to “non-participation”.

(44) Consumption of electric energy per hour 1

This property indicates electric energy 1 that the HP heater consumes per hour when shifting to “daytime heating shift time 1”. The value is sorted in order of 10:00, 13:00, 15:00, and 17:00.

The property value range at every shift time shall be 0x0000 to 0xFFFFD (0 to 65,533W). When the property value of the actual device exceeds this property value range, the overflow code 0xFFFF shall be used. When said value falls below the property value range, the underflow code 0xFFFE shall be used.

The value is set when a value is determined at a time to determine consumption of energy at every shift time and cleared (0x0000) at the daytime heating shift time 1.

The four values of this property shall be cleared (0x0000) when heating automatic setting property is set to “manual” or “manual stop”, when energy shift participation status property is set to “participation”.

Also refer the detailed sequence described in application communication interface specification.

This property setting has no meaning if energy shift participation status is set to “non-participation”.

(45) Daytime heating shift time 2 (D2 of Fig. 3-4 and D2 of Fig. 3-5)

Daytime heating shift time 2 is set for HP water heater, when energy shift participation status property is participation (0x01). Set value is nullified in case of non-participation (0x00), so that HP water heater shall not carry out an energy shift.

The time shall be later than the daytime heating shift time 1. Daytime heating shift shall not be carried out when values other than the designated ones or times earlier than or equivalent to the daytime heating shift time 1 are designated.

It is recommended that about three hours are secured between daytime heating shift time 2 and daytime heating shift time.

(Note that the HP water heater requires a few hours to complete the energy shift process starting from the time designated as daytime heating shift time 1. Therefore, when daytime heating shift time 2 is set in the vicinity of the daytime heating shift time 1, the process at the daytime heating shift time 1 is suspended and energy shift may not reach the predetermined volume.)

0x0A: 10:00, 0x0B: 11:00, 0x0C: 12:00, 0x0D: 13:00

0x0E: 14:00, 0x0F: 15:00, 0x10: 16:00, 0x11: 17:00

HEMS controller writes a value of this property after the time to fix the standard time to start heating, while HP water heater takes and fixes a value of this property to the standard time to start heating. HP water heater clears value of this property (0x00) set to the daytime heating shift time 2.

Values incorporated after the time above are nullified and not to be carried out.

No energy shift is carried out if time other than the above is written, either.

This property shall be cleared (0x00) when heating automatic setting property is set to “manual” or “manual stop”, when energy shift participation property is set to “participation”. The property is cleared to daytime heating shift time 2 (0x00).

Also refer the detailed sequence described in application communication interface specification.

This property setting has no meaning if energy shift participation status is set to “non-participation”.

(46) Heating electric energy at daytime heating shift time 2 (C2 of Fig. 3-5)

Expected electric energy required for heating in every time indicated as daytime heating shift time 2 shall be indicated in Wh. The value is sorted in order of 13:00, 15:00, and 17:00.

The property value range at every shift time shall be 0x00000000 to 0xFFFFFFFF (0 to 4,294,967,293W). When the property value of the actual device exceeds this property value range, the overflow code 0xFFFFFFFF shall be used. When said value falls below the property value range, the underflow code 0xFFFFFFF0 shall be used.

The value is set at a time to determine consumption power at every shift time, and cleared (0x00000000) at the daytime heating shift time 2.

Three values of this property shall be cleared (0x00000000) when heating automatic setting property is set to “manual” or “manual stop”, when energy shift participation status property is set to “participation”.

Also refer the detailed sequence described in application communication interface specification.

This property setting has no meaning, if energy shift participation status is in a state of “non-participation”.

(47) Consumption of electric energy per hour 2

This property indicates electric energy 2 that the HP heater consumes per hour when shifting to “daytime heating shift time 2”. The value is sorted in order of 10:00, 13:00, 15:00, and 17:00 at every shift time 2.

The property value range at every shift time shall be 0x0000 to 0xFFFF (0 to 65,533W). When the property value of the actual device exceeds this property value range, the overflow code 0xFFFF shall be used. When said value falls below the property value range, the underflow code 0xFFFF shall be used.

The value is set when a value is determined at a time to determine consumption of electric energy at every shift time and three values of this property are cleared

(0x0000) at the daytime heating shift time 2.

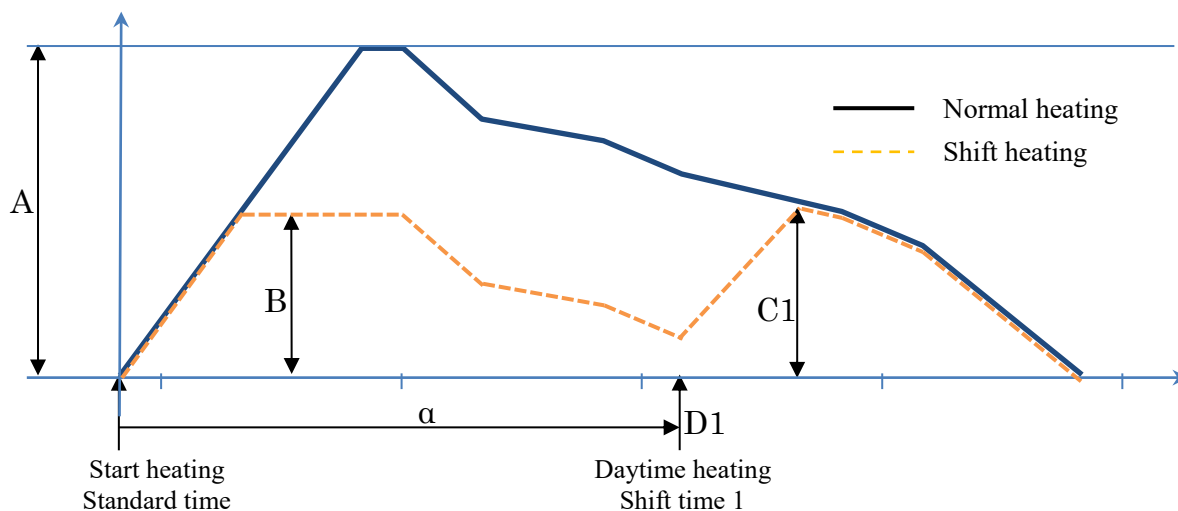
This property shall be cleared (0x0000) in a similar manner when heating automatic setting property is set to “manual” or “manual stop”, when energy shift participation property is set to “participation”.

Also refer the detailed sequence described in application communication interface specification.

This property setting has no meaning if energy shift participation status is set to “non-participation”.

(Ex.) When shifting heating to α hour later or α hour(s) later.

- (1) Heat hot water (B) to be used during α time, to be shifted by the time midnight power service is complete.
- (2) Heated hot water (C) needs to satisfy the daily volume of hot water after time α .

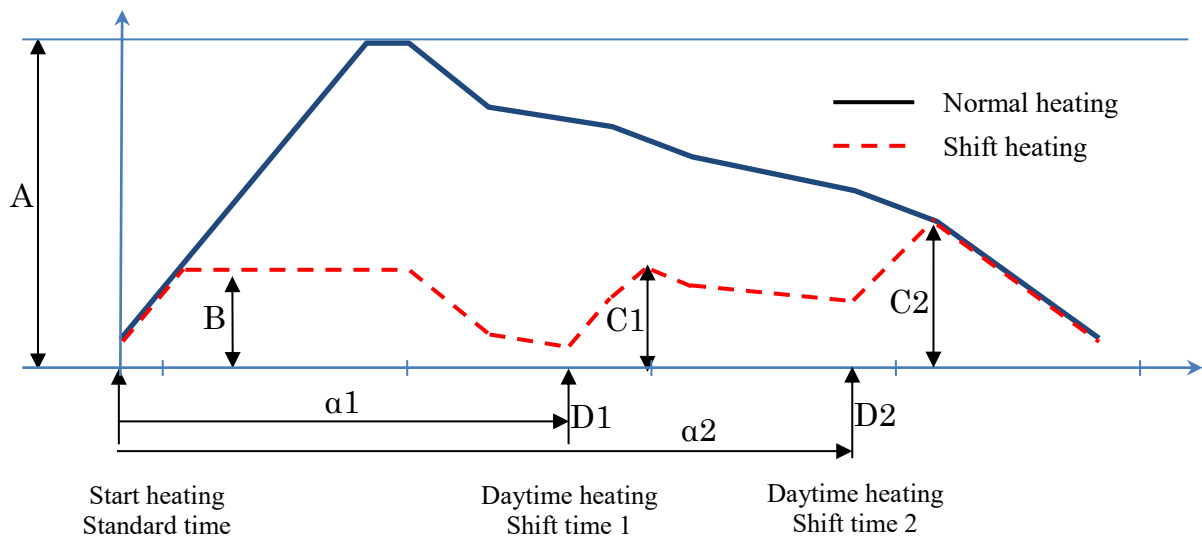


- A: Tomorrow's total volume of hot water expected at the standard time to start heating
 - B: Hot water to be used during time α to be shifted
 - C1: Volume of hot water needed from the time that heating is completed (after starting heating after time α) to the standard time to start heating
 - D1: Time to carry out daytime heating 1 (daytime heating shift time 1)
 - α : Time to shift heating
- Energy to heat hot water (C) = Electrical power can be shifted
 Hot water (A) = hot water (B) + hot water (C)

Fig. 3-4 Time to start accumulating hot water shift (daytime single shift)

(Ex.) When shifting heating to α hour later or α 2 hours later.

- (1) Heat hot water (B) to be used during $\alpha 1$ time, to be shifted by the time midnight power service is complete.
- (2) Heat hot water (C) and (C2) needs to satisfy daily volume of hot water twice (after time $\alpha 1$ and $\alpha 2$).



- A: Tomorrow's total volume of hot water expected at the standard time to start heating
- B: Hot water to be used during time $\alpha 1$ to be shifted
- C1+C2: Volume of hot water needed by the standard time to start heating (after completing heating after time $\alpha 1$ shift and $\alpha 2$ shift)
- D1: Time to carry out daytime heating 1 (daytime heating shift time 1)
- D2: Time to carry out daytime heating 2 (daytime heating shift time 2)
- $\alpha 1$: Time to shift heating
- $\alpha 2$: Time to shift heating

$$\text{Energy to heat hot water (C1) + hot water (C2) = Electrical power can be shifted}$$

$$\text{Hot water (A) = hot water (B) + hot water (C1) + hot water (C2)}$$

Fig. 3-5 Time to start accumulating hot water shift (daytime double shift)

3. 3. 9 Requirement for the electric toilet seat (warm-water washing toilet seat, heating toilet seat, etc.) class

Class group code : 0x02

Class code : 0x6E

Instance code : 0x01-0x7F (0x00: All-instance specification code)

Property name	EPC	Contents of property	Data type	Data size	Unit	Access rule	Mandatory	Announcement at status change	Remark
		Value range (decimal notation)							
Operation status	0x80	This property indicates the ON/OFF status.	unsigned char	1 byte	—	Set	○	○	
		ON=0x30, OFF=0x31				Get			
Temperature level of toilet seat	0xE0	Low to high temperature (10 steps) 0x31 for the lowest level, 0x3A for the highest level.	unsigned char	1 byte	—	Set/Get			
		0x31 to 0x3A							
Heater setting of toilet seat	0xE1	ON/OFF	unsigned char	1 byte	-	Set/Get	○		
		ON=0x41, OFF=0x42							
Temporal halt setting of toilet seat	0xE2	Continuous setting/one time setting/no setting.	unsigned char	1 byte	-	Set/Get			
		Continuous setting=0x41, one time setting=0x42, no setting=0x43							
Temporal halt start time of toilet seat	0xE3	Temporal halt start time of toilet seat timer value: HH:MM	unsigned char × 2	2 bytes	-	Set/Get			
		0-0x17 : 0-0x3B (=0-23) : (=0-59)							
Temporal halt time duration of toilet seat	0xE4	Temporal stop time duration of toilet seat timer value: HH:MM	unsigned char × 2	2 bytes	-	Set/Get			
		0-0x17 : 0-0x3B (=0-23) : (=0-59)							
Temperature level setting of room heating	0xE5	Low/medium/high temperature	unsigned char	1 byte	-	Set/Get			
		0x31/0x32/0x33							
Room heating setting	0xE6	Room heating ON/room heating OFF/timer mode setting	unsigned char	1 byte	-	Set/Get			
		0x41/0x42/0x43							
Room heating status	0xE7	Room heating ON/room heating OFF	unsigned char	1 byte	-	Get			
		ON=0x41, OFF=0x42							
Start time of room heating	0xE8	Timer value HH:MM	unsigned char × 2	2 bytes	-	Set/Get			
		0 to 0x17 : 0 to 0x3B (=0 to 23) : (=0 to 59)							
Duration time of room heating	0xE9	Duration time HH:MM	unsigned char × 2	2 bytes	-	Set/Get			
		0-0x17 : 0-0x3B (=0-23) : (=0-59)							
Special operation mode setting	0xEA	Used to set a special operation mode and get the status	unsigned char	1 byte	-	Set/Get			

		No setting: 0x40, Over-cool prevention: 0x41 reserved for future use: 0x42-							
Human detection status	0xEB	Indicate detection of human body	unsigned char	1 byte	-	Get			
		Detected = 0x41 Non detected = 0x42							
Seating detection status	0xEC	This property indicates detection of seating	unsigned char	1 byte	-	Get			
		Detected = 0x41 Non detected = 0x42							

Note: In the “Announcement at status change” column, ○ denotes mandatory processing when the property is implemented.

(1) Operation status (inherited from super class property)

This property indicates whether the heating toilet seat can accept the control (ON status) or not (OFF status). The ON status corresponds to 0x30, and the OFF status corresponds to 0x31. For the node equipped with the heating toilet seat class, it is also possible for the property to be implemented with the fixed value 0x30 if the heating toilet seat can accept the control as the node begins to work.

(2) Temperature level of toilet seat

This property indicates 0x31 to 0x3A for the 10 steps of low to high temperature of the toilet seat heating. The lowest level is 0x31 and the highest level is 0x3A. This property shall be effective even when the value of operation status property (0x80) is OFF (0x31).

(3) Heater setting of toilet seat

Sets ON/OFF status for the toilet seat heater. The toilet seat heater ON=0x41 and OFF=0x42.

(4) Temporal halt setting of toilet seat

Sets a temporal halt of the toilet seat and gets the status. There is a continuous setting which the setting is valid at any time, and there is a one time setting which the setting turns to be invalid when the temporal halt is aborted, for the temporal halt setting. The property has relation to “the temporal halt start time of toilet seat” and “the toilet seat temporal halt time duration setting”.

Continuous setting=0x41, one time setting=0x42, no setting=0x43

(5) Temporal halt start time of toilet seat

When the temporal halt setting of toilet seat is continuous or one time setting, The time the toilet seat heater turns OFF is indicated by hours: 0x00 to 0x17(0 to 23) and

minutes 0x00 to 0x3B(0 to 59). The property value shall sequentially indicate the hour and minute, beginning with the high-order byte.

(6) Temporal off time duration of toilet seat

Sets the time from when temporal halt start of the toilet seat heater to when the toilet seat heater turns ON, and gets the status. The data format is hours: 0x00 to 0x17(0 to 23) and minutes 0x00 to 0x3B(0 to 59). The property value shall sequentially indicate the hour and minute, beginning with the high-order byte.

(7) Temperature level setting of room heating

This property indicates setting temperature by 0x31/0x32/0x33 for low/medium/high temperature for the room heating. This property shall be effective even when the value of operation status property (0x80) is OFF (0x31).

(8) Room heating setting

Sets ON/OFF/timer mode of the room heating. The property has relation to “room heating start time setting” or “room heating operation start setting”.

Room heating ON=0x41, room heating OFF=0x42, and timer mode setting=0x43.

(9) Room heating status

Gets the status ON/OFF of room heating.

Room heating ON=0x41, room heating OFF=0x42

(10) Start time of room heating

This property indicates when the room heater turns ON using hours: 0x00 to 0x17(0 to 23) and minutes 0x00 to 0x3B(0 to 59), when the room heating timer mode is set. The property value shall sequentially indicate the hour and minute, beginning with the high-order byte.

(11) Duration time of room heating

This property indicates when the room heater turns ON using the operation time from the start time. The data format is hours: 0x00 to 0x17(0 to 23) and minutes 0x00 to 0x3B(0 to 59). The property value shall sequentially indicate the hour and minute, beginning with the high-order byte.

(12) Special operation mode setting

Sets detail operation mode of the room heating and gets the status. The property value is 0x41 for over-cool prevention or 0x40 for no setting. The possible property values of the actual device as the function shall be only implemented.

This property shall be effective even when the value of operation status property (0x80) is OFF (0x31).

(13) Human detection status

This property indicates the detection of human body, detected/non detected. The property value is maintained until the status changes.

Human body detected=0x41, non detected=0x42

(14) Seating detection status

This property indicates the seating detection. The property value is maintained until the status changes.

Seating detected=0x41, non detected=0x42

3. 3. 10 Requirement for the electric lock class

Class group code : 0x02

Class code : 0x6F

Instance code : 0x01-0x7F (0x00: All-instance specification code)

Property name	EPC	Contents of property	Data type	Data size	Unit	Access rule	Mandatory	Announcement at status change	Remark
		Value range (decimal notation)							
Operation status	0x80	This property indicates the ON/OFF status.	unsigned char	1 byte	—	Set		○	
		ON=0x30, OFF=0x31				Get			
Lock setting 1	0xE0	Lock/unlock of main electric lock	unsigned char	1 byte	—	Set/Get	○	○	
		lock=0x41, unlock=0x42							
Lock setting 2	0xE1	Lock/unlock of sub electric lock	unsigned char	1 byte	-	Set/Get			
		lock=0x41, unlock=0x42							
Lock status of door guard	0xE2	Lock status of door guard.	unsigned char	1 byte	-	Get			
		lock=0x41, unlock=0x42							
Door open/close status	0xE3	Open/close status of door	unsigned char	1 byte	-	Get			
		open=0x41, close=0x42							
Occupant/non-occupant status	0xE4	Occupant/ non-occupant status of persons	unsigned char	1 byte	-	Get			
		occupant=0x41, non-occupant=0x42							
Alarm status	0xE5	Alarm status of electric lock	unsigned char	1 byte	-	Get		○	
		normal (no alarm)=0x40, break open=0x41, door open=0x42, manual unlocked=0x43, tampered=0x44							
Auto lock mode setting	0xE6	Sets ON/OFF of auto lock mode and get the status	unsigned char	1 byte	-	Set/Get			
		ON=0x41, OFF=0x42							
Battery level	0xE7	This property indicates the battery level to get the status of a battery level lower and in need of replacement.	unsigned char	1 byte	-	Set/Get		○	
		Ordinary level=0x40 Notification of battery replacement = 0x41							

Note: In the “Announcement at status change” column, ○ denotes mandatory processing when the property is implemented.

(1) Operation status (inherited from super class property)

This property indicates whether the electric lock can accept the control (ON status) or not (OFF status). The ON status corresponds to 0x30 and the OFF status corresponds to 0x31. For the node equipped with the electric lock class, it is also possible for the property to be implemented with the fixed value 0x30 if the electric lock can accept the control as the node begins to work.

(2) Lock setting 1

Sets lock/unlock of the main electric lock and gets lock status. The locked status corresponds to 0x41 and the unlocked status corresponds to 0x42.

(3) Lock setting 2

Sets lock/unlock of the sub electric lock which is mounted on the same door as the main electric lock and gets lock status. The locked status corresponds to 0x41 and the unlocked status corresponds to 0x42.

(4) Lock status of door guard

Gets the status of whether the electric lock is “door guard” status, in which the door can be opened up to a certain slit, or not. The “door guard” status corresponds to 0x41 and the non “door guard” status corresponds to 0x42.

(5) Door open/close status

Gets open/close status of the door equipped with the main electric lock and the sub electric lock. The open status corresponds to 0x41 and the close status corresponds to 0x42.

(6) Occupant/ non-occupant status

This property indicates occupant/non-occupant status of persons. The occupant status corresponds to 0x41 and the non-occupant status corresponds to 0x42.

(7) Alarm status

This property indicates the alarm status. The normal status (no alarm) corresponds to 0x40, break open status corresponds to 0x41, door open status corresponds to 0x42, manual unlocked status corresponds to 0x43, and tampered status corresponds to 0x44. The meanings of individual alarms are shown as follows:

- Break open: The locked door opened
- Door open: The door remains open in a certain period of time
- Manual unlocked: The door was unlocked manually when the door must be unlocked electrically.
- Tampered: The door was gotten into mischief, removing the cover of the electric lock.

(8) Auto lock mode setting

Sets ON/OFF of the auto lock mode of electric lock and gets the status. The ON of the auto mode is that the door was automatically locked when the door closes, after

the electric lock is unlocked. The OFF of the auto mode is that the door remains unlocked when the door closes. In other words, the door keeps the status set at the lock setting

(9) Battery level

This property indicates the battery level of an electric lock driven on a battery. Depending on the acquired level, the property indicates 0x40 for an ordinary level and 0x41 for a level lower than the threshold for replacement (notification of battery replacement supported). Then the status is acquired.

3. 3. 11 Requirements for instantaneous water heater class

Class group code : 0x02

Class code : 0x72

Instance code : 0x01-0x7F (0x00: All-instance specification code)

Property name	EPC	Contents of property	Data type	Data size	Unit	Access rule	Mandatory	Announcement at status change	Remark
		Value range (decimal notation)							
Operation status	0x80	This property indicates the ON/OFF status.	unsigned char	1 byte	—	Set		○	
		ON=0x30, OFF=0x31				Get			
Hot water heating status	0xD0	This property indicates the hot water heating status.	unsigned char	1 byte	—	Get	○		
		Hot water heating status found = 0x41 Hot water heating status not found = 0x42							
Set value of hot water temperature	0xD1	This property indicates the set value of the hot water temperature in °C.	unsigned char	1 byte	°C	Get/Set			
		0x00–0x64 (0–100)							
Hot water warmer setting	0xD2	Hot water warmer setting	unsigned char	1 byte	—	Get/Set			
		Hot water warmer operation = 0x41 Hot water warmer operation resetting = 0x42							
“Duration of automatic operation” setting	0xDA	Timer value (HH:MM)	unsigned char × 2	2 bytes	—	Get/Set			
		0–0x17: 0–0x3B (= 0–23): (= 0–59) Limitless: 0xFFFF							
Remaining automatic operation time	0xDB	Timer value (HH:MM)	unsigned char × 2	2 bytes	—	Get			
		0–0x17: 0–0x3B (= 0–23): (= 0–59) Infinite: 0xFFFF							
Set value of bath temperature	0xE1	This property indicates the set value of the bath temperature in °C.	unsigned char	1 byte	°C	Get/Set			
		0x00–0x64 (0–100)							
Bath water heater status	0xE2	This property indicates whether or not the bath water heater is heating the bath water.	unsigned char	1 byte	—	Get	○		
		Heating = 0x41 Not heating = 0x42							
Bath auto mode setting	0xE3	Bath auto mode ON/OFF	unsigned char	1 byte	—	Set/Get	Ⓜ		
		Auto ON = 0x41 Auto OFF = 0x42							
Bath additional boil-up operation setting	0xE4	Additional boil-up ON/OFF	unsigned char	1 byte	—	Set/Get			
		Additional boil-up ON = 0x41 Additional boil-up OFF = 0x42							
Bath hot water adding operation setting	0xE5	Hot water addition ON/OFF	unsigned char	1 byte	—	Set/Get			
		Hot water addition ON = 0x41 Hot water addition OFF = 0x42							

Bath water temperature lowering operation setting	0xE6	Hot water temperature lowering ON/OFF	unsigned char	1 byte	-	Set/Get			
		Hot water temperature lowering ON = 0x41 Hot water temperature lowering OFF = 0x42							
Bath hot water volume setting 1	0xE7	This property indicates bath hot water volume in liters.	unsigned char	1 byte	liters	Set/Get			
		0x00-0xFD (0-253 liters)							
Bath hot water volume setting 2	0xE8	This property indicates the bath hot water volume (in 8 steps).	unsigned char	1 byte	-	Set/Get			
		0x31-0x38							
Bath hot water volume setting 3	0xEE	This property indicates the bath hot water volume in liters.	unsigned short	2 bytes	liter	Set/Get			
		0x0000-0xFFFF (0 to 65533 liters)							
Bath hot water volume setting 4	0xD4	The bath hot water volume is specified by the number of steps.	unsigned char	1 byte	-	Set/Get			
		0x01-0xFF							
Bath hot water volume setting 4 - Maximum settable level	0xD5	The maximum settable level is the top step of Bath hot water volume setting 4.	unsigned char	1 byte	-	Get			
		0x01-0xFF							
Bathroom priority setting	0xE9	Bathroom priority ON/OFF	unsigned char	1 byte	-	Get			
		Bathroom priority ON = 0x41, Bathroom priority OFF = 0x42							
Shower hot water supply status	0xEA	Shower hot water supply ON/OFF	unsigned char	1 byte	-	Get			
		Shower hot water supply ON = 0x41 Shower hot water supply OFF = 0x42							
Kitchen hot water supply status	0xEB	Kitchen hot water supply ON/OFF	unsigned char	1 byte	-	Get			
		Kitchen hot water supply ON = 0x41 Kitchen hot water supply OFF = 0x42							
Hot water warmer ON timer reservation setting	0xEC	Reservation ON/OFF	unsigned char	1 byte	-	Get			
		Reservation ON = 0x41 Reservation OFF = 0x42							
Set value of hot water warmer ON timer time	0xED	Timer value (HH:MM)	unsigned char × 2	2 bytes	-	Set/Get			
		0-0x17:0-0x3B (= 0-23):(= 0-59)							
Bath operation status monitor	0xEF	This property indicates the status of a bath.	unsigned char	1 byte	-	Get		○	
		Supplying hot water = 0x41, keeping bath temperature = 0x43, stopped = 0x42							
ON timer reservation setting	0x90	Reservation ON/Reservation OFF	unsigned char	1 byte	-	Set/Get			
		Reservation ON = 0x41 Reservation OFF = 0x42							
Set value of ON timer time	0x91	Timer value (HH:MM)	unsigned char × 2	2 bytes	-	Set/Get			
		0-0x17: 0-0x3B (= 0-23):(= 0-59)							
Set value of ON	0x92	Timer value (HH:MM)	unsigned	2 bytes	-	Set/Get			

timer relative time		0-0x17: 0-0x3B (= 0-23);(= 0-59)	char × 2						
Volume setting	0xD6	This property sets the volume output from the operating units and acquires the setting status.	unsigned char	1 byte	%	Set/Get			
		0x00-0x64 (0-100)							
Mute setting	0xD7	This property sets the volume mute status output from the operating units and acquires the setting status.	unsigned char	1 byte	-	Set/Get			
		Mute ON = 0x30, Mute OFF = 0x31							

Note: In the “Announcement at status change” column, ○ denotes mandatory processing when the property is implemented.

This class is intended for use with instantaneous water heaters that use fossil fuels such as gases and kerosene and heat pump-based instantaneous water heaters.

For water heaters that heat stored water, it is recommended that the “electric water heater” class (class group code = 0x02, class code = 0x6B) be used. For the purposes of this ECHONET Specification, the term “instantaneous water heaters” shall include both “instantaneous water heaters having a heating unit in which water supplied from a water supply unit is heated by means of heat exchanging” and “instantaneous bath water heaters having a bath water heating unit that heats water or hot water filled in the bathtub by means of heat exchanging by continuously circulating the same water or hot water.” The two types of instantaneous water heaters shall be distinguished by using the terms “water heaters” (or water heating) and “bath water heaters (or bath water heating).” The “addition of hot water” function shall belong to instantaneous water heaters of the former type. If both “water heaters” and “bath water heaters” are indicated, the term “instantaneous water heater” shall be used.

(1) Operation status (inherited from the device object super class property)

This property indicates whether the instantaneous water heater is in the ON state (i.e. the instantaneous water heater responds to user operation) or OFF state. 0x30 and 0x31 shall be used for the ON and OFF states, respectively. In cases where the instantaneous water heater belongs to a node in which the “instantaneous water heater” class is implemented and is ready to respond to user operation as soon as the node starts up, 0x30 may be implemented as the fixed value.

(2) Water heating status

This property indicates whether or not the water heater is heating water. 0x41 and 0x42 shall be used for the “heating” and “not heating” states, respectively.

In the case of a heat pump-based water heater, the property value shall be 0x41 (“heating” state) and 0x42 (“not heating” state) when the compressor is in operation and when the compressor is not in operation, respectively.

In cases where the water heater has a separate bath water heater, the “bath water heating status” property (EPC = 0xE2) shall be implemented to indicate whether or not the bath water heater is heating bath water.

(3) Set value of hot water temperature

Used to specify the temperature of water supplied from the water heater to the tap (outlet) unit in °C, and to acquire the current setting. The property value range is 0x00 to 0x64 (0 to 100°C).

(4) Hot water warmer setting

Used to specify whether or not to use the water temperature maintenance function, and to acquire the current setting. 0x41 and 0x42 shall be used for the ON and OFF states, respectively. The water temperature maintenance function shall be defined as a function to maintain the temperature of water in the water heater and the tap (outlet) unit as well as in the section(s) in between using a sub tank or a water circulation system.

(5) “Duration of automatic operation” setting

Used to specify, in terms of a relative time, the period of time between a change in the value of the “Automatic bath water heating mode” setting property (EPC = 0xE3) to 0x41 (ON) and a change back to 0x42 (OFF), and to acquire the current setting. The “hour (0x00 to 0x17 (0 to 23)): minute (0x00 to 0x3B (0 to 59))” format shall be used, with the higher- and lower-order bytes used for the “hour” and “minute” values, respectively.

When the value of this property is “0xFFFF,” the water heating status shall remain at 0x41 for an indefinite period of time.

The value of this property shall not change over time. The remaining time of automatic operation shall be acquired with the “remaining automatic operation time” property (EPC = 0xDB).

(6) Remaining automatic operation time

Used to acquire the time remaining before the value of the “Automatic bath water heating mode” setting property (EPC = 0xE3) changes to 0x42 (OFF). The “hour (0x00 to 0x17 (0 to 23)):minute (0x00 to 0x3B (0 to 59))” format shall be used, with the higher- and lower-order bytes used for the “hour” and “minute” values, respectively.

When the value of this property is “0xFFFF,” the water heating status shall remain at 0x41 for an indefinite period of time.

(7) Set value of bath temperature

Used to specify (in °C) the temperature up to which the water heater will heat bath water, and to acquire the current setting. The property value range is 0x00 to 0x64 (0 to 100°C). When the water heater has a function to maintain the temperature of bath water by adding hot water, this property may also be used to specify and acquire the bath water temperature to be maintained.

(8) Bath water heater status

This property indicates whether or not the bath water heater is heating bath water. 0x41 and 0x42 shall be used for the “heating” and “not heating” states, respectively. The “bath water heater status” property value indicates the status of a separate water heater and is independent of the value of the “water heater status” property (EPC = 0xD0).

In the case of a water heater that does not have a bath water heater, the “bath water heater status” property value shall always be 0x42.

In the case of a heat pump-based water heater, the property value shall be 0x41 (“heating” state) and 0x42 (“not heating” state) when the compressor is in operation and when the compressor is not in operation, respectively.

In the case of a water heater with an integrated heat exchanger, this property may be used for the status of the switching valve instead.

(9) Bath auto mode setting

Used to specify whether or not to use the “automatic bath water heating” mode, and to acquire the current setting. 0x41 and 0x42 shall be used for the ON and OFF states, respectively. Because there are wide differences between water heaters in terms of specifications relating to automatic bath water heating functions, the definition of the “automatic bath water heating” mode shall be implementation-dependent. However, an “automatic bath water heating” mode shall normally be a mode in which a series of processes is executed, such as the processes of “filling the bathtub with the specified volume of water, adding hot water as specified, reheating the water as specified and maintaining the temperature of the water at the specified level” or “unplugging the bathtub (draining the used bath water), cleaning the bathtub, plugging the bathtub, filling the bathtub with the specified volume of water, adding hot water as specified, reheating the water as specified and maintaining the temperature of the water at the specified level.” In the case where a “mobile service” is to be supported, the implementation of this property is mandatory.

(10) Bath additional boil-up operation setting

Used to specify whether or not to use the bath water reheating function, and to acquire the current setting. 0x41 and 0x42 shall be used for the ON and OFF states, respectively.

(11) Bath hot water adding operation setting

Used to specify whether or not to use the function to add hot water to the bath water in the bathtub, and to acquire the current setting. 0x41 and 0x42 shall be used for the ON and OFF states, respectively.

(12) Bath water temperature lowering operation setting

Used to specify whether or not to use the “Bath water temperature lowering operation” function, and to acquire the current setting. 0x41 and 0x42 shall be used for the ON and OFF states, respectively. “Bath water temperature lowering operation” shall mean slightly lowering the temperature of the bath water by adding cold water or by using other appropriate means.

(13) Bath hot water volume setting 1

Used to specify the bath water volume in liters, and to acquire the current setting. The property value range is 0x00 to 0xFD (0 to 253 liters). When the property value of the actual piece of equipment is higher than the upper limit of the property value range, the overflow code 0xFF shall be used. When the property value is lower than the lower limit of the property value range, the underflow code 0xFE shall be used. In cases where implementation of the “Bath hot water volume setting 1” property is accompanied by the implementation of the “Bath hot water volume setting 2” property (EPC = 0xE8) or the “Bath hot water volume setting 3” property (EPC = 0xEE), the values of the properties shall be correlated.

(14) Bath hot water volume setting 2

Used to specify the bath water volume by selecting a level from among the eight predefined levels, and to acquire the current setting. The bath water volume values for the eight levels may be defined freely, as long as 0x31 and 0x38 are used for the minimum and maximum volumes, respectively.

In cases where implementation of the “Bath hot water volume setting 2” property is accompanied by the implementation of the “Bath hot water volume setting 1” property (EPC = 0xE7) or the “Bath hot water volume setting 3” property (EPC = 0xEE), the values of the properties shall be correlated.

(15) Bath hot water volume setting 3

Used to specify the bath water volume in liters, and to acquire the current setting. The property value range is 0x0000 to 0xFFFF (0 to 65533 liters). When the property value of the actual piece of equipment is higher than the upper limit of the property value range, the overflow code 0xFFFF shall be used. When the property value is lower than the lower limit of the property value range, the underflow code

0xFFFFE shall be used.

In cases where implementation of the “Bath hot water volume setting 3” property is accompanied by the implementation of the “Bath hot water volume setting 1” property (EPC = 0xE7) or the “Bath hot water volume setting 2” property (EPC = 0xE8), the values of the properties shall be correlated.

(16) Bath hot water volume setting 4

The bath hot water volume is set by level. The minimum value is 0x01 and the maximum value is "Bath hot water volume setting 4 - Maximum settable level." No actual value is specified for each level. This property is related to "Bath hot water volume setting 4 - Maximum settable level."

(17) Bath hot water volume setting 4 - Maximum settable level

This property indicates the maximum settable level of “Bath hot water volume setting 4.” The minimum value is 0x01 and the maximum value is 0xFF. No actual value is specified for each level. This property is related to "Bath hot water volume setting 4."

(18) Bathroom priority setting

Used to specify whether or not to place the water heater in the “Bathroom priority” mode (a mode in which priority is given to bath water heating-related functions, controls and/or user operations), and to acquire the current setting. 0x41 and 0x42 shall be used for the “Bathroom priority” mode and the non-“Bathroom priority” mode, respectively. Determination of the bath water heating-related functions, controls and/or user operations to be given high priority and the manner in which high priority is allocated shall be implementation-dependent.

(19) Shower hot water supply status

This property indicates whether the shower water heating function is used or not (i.e. the shower is being used or not). 0x41 and 0x42 shall be used for the ON and OFF states, respectively.

(20) Kitchen hot water heating status

This property indicates whether the kitchen water heating function is used or not. 0x41 and 0x42 shall be used for the ON and OFF states, respectively.

(21) Hot water warmer ON timer reservation setting

Specifies whether or not to use the water heating/water temperature maintenance reservation function. This property is used in combination with the “Set value of hot

water warmer ON timer time” property.

(22) Bath operation status monitor

This property is used to monitor the status of a bath in automatic mode. The status of “Bath auto mode setting property” (Auto ON: 0x41) is monitored. This property indicates “supplying hot water: 0x41”, “keeping bath temperature: 0x43”, “stopped: 0x42.”

This property indicates the bath operation status when "Auto ON" is set in (9) “Bath auto mode setting.”

Supplying hot water: Including hot water supply and reheating until the target temperature until the completion of hot water supply is achieved

Keeping bath temperature: Including hot water addition and reheating to keep the bath temperature

The bath operation status is "stopped" when "Auto OFF" is set in (9) “Bath auto mode setting.”

(23) Set value of hot water warmer ON timer time

When the value of the “Hot water warmer ON timer reservation setting” property is “ON,” this property indicates, in the “hour (0x00 to 0x17 (0 to 23)):minute (0x00 to 0x3B (0 to 59))” format, the time at which the value of the “Hot water warmer setting” property (EPC = 0xD2) will change to 0x41 (ON). The higher- and lower-order bytes shall be used for the “hour” and “minute” values, respectively.

(24) ON timer reservation setting

Specifies whether or not to use the “automatic bath water heating mode” reservation function. This property is used in combination with the “Set value of ON timer time” or “Set value of ON timer relative time” property.

(25) Set value of ON timer time

When the value of the “ON timer reservation setting” property is 0x41 (ON), this property indicates, in the “hour (0x00 to 0x17 (0 to 23)):minute (0x00 to 0x3B (0 to 59))” format, the time at which the value of the “Bath auto mode setting” property (EPC = 0xE3) will change to 0x41 (ON). The higher- and lower-order bytes shall be used for the “hour” and “minute” values, respectively.

(26) Set value of ON timer relative time

When the value of the “ON timer reservation setting” property is 0x41 (ON), this property indicates, in terms of a time relative to the current time, the time at which the value of the “Bath auto mode setting” property (EPC = 0xE3) will change to 0x41

(ON). The data format shall be “hour (0x00 to 0x17 (0 to 23)):minute (0x00 to 0x3B (0 to 59)).” The higher- and lower-order bytes shall be used for the “hour” and “minute” values, respectively.

(27) Volume setting

“Set” of this property is used to set the volume of operating sounds, voice guidance, notification melodies, interphone and others output from remote controllers and other operating units, etc.

“Get” of this property is used to acquire the value of the current volume setting.

This property indicates the volume value by percentage. The value is 0 (0x00) for the minimum volume and 100 (0x64) for the maximum volume of each device.

(28) Mute setting

“Set” of this property is used to set the volume mute output from operating units ON and OFF.

“Get” of this property is used to acquire the value of the current mute status.

Mute ON indicates that voice is not output, mute OFF indicates that voice is output.

Property values 0x30 and 0x31 correspond to mute ON and OFF, respectively.

The correlation between the “mute setting” property and the “volume setting” property shall depend on implementation.

(Example 1: If the value of the volume setting property is 20 when the mute function is OFF, the value of the volume setting property remains unchanged at 20 even after the mute function is turned ON. On the other hand, when the mute function is ON, the value of the volume setting property may be 0 in some cases.)

(Example 2: If the value of the volume setting property is 20 when the mute function is OFF, the value of the volume setting property remains 20 even after the mute function is turned from OFF to ON and back to OFF. On the other hand, the value of the volume setting property may be 0.)

3. 3. 12 Requirements for bathroom heater and dryer class

Class group code : 0x02

Class code : 0x73

Instance code : 0x01–0x7F (0x00: All-instance specification code)

Property name	EPC	Contents of property	Data type	Data size	Unit	Access rule	Mandatory	Announcement at status change	Remark
		Value range (decimal notation)							
Operation status	0x80	This property indicates the ON/OFF status.	unsigned char	1 byte	–	Set	○	○	
		ON : 0x30 OFF : 0x31				Get			
Operation setting	0xB0	Used to set the operation mode (ventilation mode, bathroom pre-warmer mode, bathroom heater mode, bathroom dryer mode, cool air circulator mode or “stop”), and to acquire the current setting.	unsigned char	1 byte	–	Set/Get	○		
		Ventilation operation : 0x10 Bathroom pre-warmer operation : 0x20 Bathroom heater operation : 0x30 Bathroom dryer operation : 0x40 Cool air circulator operation : 0x50 Stop : 0x00							
Ventilation operation setting	0xB1	Used to set the ventilation air flow rate level for the ventilation mode and to acquire the current setting.	unsigned char	1 byte	–	Set/Get			
		Automatic : 0x41 Standard : 0x42 Air flow rate level : 0x31–0x38							
Bathroom pre-warmer operation setting	0xB2	Used to set the bathroom pre-warming level for the bathroom pre-warmer mode and to acquire the current setting.	unsigned char	1 byte	–	Set/Get			
		Automatic : 0x41 Standard : 0x42 Bathroom pre-warming level: 0x31–0x38							
Bathroom heater operation setting	0xB3	Used to set the bathroom heating level for the bathroom heater mode and to acquire the current setting.	unsigned char	1 byte	–	Set/Get			
		Automatic : 0x41 Standard : 0x42 Bathroom heating level: 0x31–0x38							
Bathroom dryer operation setting	0xB4	Used to set the bathroom drying level for the bathroom dryer mode and to acquire the current setting.	unsigned char	1 byte	–	Set/Get	○		
		Automatic : 0x41 Standard : 0x42 Bathroom drying level: 0x31–0x38							
Cool air circulator operation setting	0xB5	Used to set the cool air circulation level for the cool air circulator mode and to acquire the current setting.	unsigned char	1 byte	–	Set/Get			
		Automatic : 0x41 Standard : 0x42 Cool air circulation level: 0x31–0x38							

Measured relative bathroom humidity	0xBA	Used to acquire the measured relative humidity of the bathroom.	unsigned char	1 byte	%	Get			
		0x00–0x64 (0–100%)							
Measured bathroom temperature	0xBB	Used to acquire the measured temperature of the bathroom.	signed char	1 byte	°C	Get			
		0x81–0x7D (-127–+125°C)							
Ventilation air flow rate setting	0xC2	Used to set the air flow rate level for the around-the-clock ventilation function and to acquire the current setting.	unsigned char	1 byte	–	Set/Get			
		Automatic: 0x41 Air flow rate level: 0x31–0x38							
Filter cleaning reminder sign setting	0xCF	Used to set the filter cleaning reminder sign status (lit/not lit) and to acquire the current setting.	unsigned char	1 byte	–	Set/Get			
		Lit: 0x41 Not lit: 0x42							
Human body detection status	0xE0	Used to acquire the human body detection status.	unsigned char	1 byte	–	Get			
		Detected: 0x41 Not detected: 0x42							
“ON timer-based reservation” setting 1	0x90	Used to set the ON/OFF status of the ON timer-based reservation function and to acquire the current setting.	unsigned char	1 byte	–	Set/Get			
		Reservation function ON: 0x41 Reservation function OFF: 0x42							
“ON timer-based reservation” setting 2	0xE1	Used to set the ON/OFF status of the ON timer-based reservation function with the mode in which the device starts operating specified, and to acquire the current setting.	unsigned char	1 byte	–	Set/Get			
		Reservation function ON for the ventilation mode : 0x10 Reservation function ON for the bathroom pre-warmer mode : 0x20 Reservation function ON for the bathroom heater mode : 0x30 Reservation function ON for the bathroom dryer mode : 0x40 Reservation function ON for the cool air circulator mode : 0x50 Reservation function OFF : 0x00							
ON timer setting (time)	0x91	Used to set the time setting for the time-based reservation function for the ON timer (in the HH:MM format) and to acquire the current setting.	unsigned char × 2	2 bytes	–	Set/Get			
		0–0x17: 0–0x3B (= 0–23): (= 0–59)							
ON timer setting (relative time)	0x92	Used to set the relative time setting for the relative time-based reservation function for the ON timer (in the HH:MM format) and to acquire the current setting.	unsigned char × 2	2 bytes	–	Set/Get			
		0–0x17: 0–0x3B (= 0–23): (= 0–59)							
“OFF timer-based reservation” setting	0x94	Used to set the ON/OFF status of the OFF timer-based reservation function and to acquire the current setting.	unsigned char	1 byte	–	Set/Get			
		Reservation function ON: 0x41 Reservation function OFF: 0x42							
OFF timer setting (time)	0x95	Used to set the time setting for the time-based reservation function for the OFF timer (in the HH:MM format) and to acquire the current setting.	unsigned char	2 bytes	–	Set/Get			

		0-0x17: 0-0x3B (= 0-23); (= 0-59)	× 2						
OFF timer setting (relative time)	0x96	Used to set the relative time setting for the relative time-based reservation function for the OFF timer (in the HH:MM format) and to acquire the current setting.	unsigned char × 2	2 bytes	–	Set/Get			
		0-0x17: 0-0x3B (= 0-23); (= 0-59)							

Note: In the “Announcement at status change” column, ○ denotes mandatory processing when the property is implemented.

(1) Operation status (The device object super class property is inherited.)

This property indicates whether the bathroom heater and dryer is ready to accept control commands (ON state) or not (OFF state).

The values “0x30” and “0x31” shall be assigned to the ON and OFF states, respectively.

In the case of a node implemented with the bathroom heater and dryer class whose bathroom heater and dryer becomes ready to accept control commands as soon as the node starts operating, this property may be implemented with the property value fixed at “0x30.”

(2) Operation setting

Used to set the bathroom heater and dryer’s operation mode (ventilation mode, bathroom pre-warmer mode, bathroom heater mode, bathroom dryer mode, cool air circulator mode or “stop”), and to acquire the current setting. Each of the operation modes shall be assigned with the respective code value specified below.

- Ventilation operation : 0x10
- Bathroom pre-warmer operation : 0x20
- Bathroom heater operation : 0x30
- Bathroom dryer operation : 0x40
- Cool air circulator operation : 0x50
- Stop : 0x00

It is only required to implement the property values that correspond to the functions supported by the actual device implemented with this class.

This property shall be effective even when the value of the “operation status” property (“0x80”) is OFF (“0x31”).

(3) Ventilation operation setting

Used to set the ventilation air flow rate level for the ventilation mode and to acquire the current setting.

- The property value for the “automatic” state shall be “0x41.” This ECHONET Specification does not specify requirements regarding the functions to be provided

in relation to the “automatic” state.

- The property value for the “standard” state shall be “0x42.” The “standard” state is a state in which the standard ventilation air flow rate level setting of the actual device implemented with this class is used.
- In addition, 8 predefined air flow rate levels shall be provided and the property values “0x31” to “0x38” shall be assigned to the 8 levels. The air flow rates that correspond to the 8 levels may be defined freely, as long as the property values “0x31” and “0x38” are assigned to the lowest and highest air flow rates, respectively.

It is only required to implement the property values that correspond to the functions supported by the actual device implemented with this class.

When this property is implemented, setting/acquisition must be possible even when the current setting of the “operation setting” property (“0xB0”) is other than the ventilation mode.

This property shall be effective even when the value of the “operation status” property (“0x80”) is OFF (“0x31”).

(4) Bathroom pre-warmer operation setting

Used to set the bathroom pre-warming level for the bathroom pre-warmer mode and to acquire the current setting.

- The property value for the “automatic” state shall be “0x41.” This ECHONET Specification does not specify requirements regarding the functions to be provided in relation to the “automatic” state.
- The property value for the “standard” state shall be “0x42.” The “standard” state is a state in which the standard bathroom pre-warming level setting of the actual device implemented with this class is used.
- In addition, 8 predefined bathroom pre-warming levels shall be provided and the property values “0x31” to “0x38” shall be assigned to the 8 levels. The bathroom pre-warming strengths that correspond to the 8 levels may be defined freely, as long as the property values “0x31” and “0x38” are assigned to the lowest and highest bathroom pre-warming strengths, respectively.

It is only required to implement the property values that correspond to the functions supported by the actual device implemented with this class.

When this property is implemented, setting/acquisition must be possible even when the current setting of the “operation setting” property (“0xB0”) is other than the bathroom pre-warmer mode.

This property shall be effective even when the value of the “operation status” property (“0x80”) is OFF (“0x31”).

(5) Bathroom heater operation setting

Used to set the bathroom heating level for the bathroom heater mode and to acquire the current setting.

- The property value for the “automatic” state shall be “0x41.” This ECHONET Specification does not specify requirements regarding the functions to be provided in relation to the “automatic” state.
- The property value for the “standard” state shall be “0x42.” The “standard” state is a state in which the standard bathroom heating level setting of the actual device implemented with this class is used.
- In addition, 8 predefined bathroom heating levels shall be provided and the property values “0x31” to “0x38” shall be assigned to the 8 levels. The bathroom heating strengths that correspond to the 8 levels may be defined freely, as long as the property values “0x31” and “0x38” are assigned to the lowest and highest bathroom heating strengths, respectively.

It is only required to implement the property values that correspond to the functions supported by the actual device implemented with this class.

When this property is implemented, setting/acquisition must be possible even when the current setting of the “operation setting” property (“0xB0”) is other than the bathroom heater mode.

This property shall be effective even when the value of the “operation status” property (“0x80”) is OFF (“0x31”).

(6) Bathroom dryer operation setting

Used to set the bathroom drying level for the bathroom dryer mode and to acquire the current setting.

- The property value for the “automatic” state shall be “0x41.” This ECHONET Specification does not specify requirements regarding the functions to be provided in relation to the “automatic” state.
- The property value for the “standard” state shall be “0x42.” The “standard” state is a state in which the standard bathroom drying level setting of the actual device implemented with this class is used.
- In addition, 8 predefined bathroom drying levels shall be provided and the property values “0x31” to “0x38” shall be assigned to the 8 levels. The bathroom drying strengths that correspond to the 8 levels may be defined freely, as long as the property values “0x31” and “0x38” are assigned to the lowest and highest bathroom drying strengths, respectively.

It is only required to implement the property values that correspond to the functions supported by the actual device implemented with this class.

When this property is implemented, setting/acquisition must be possible even when the current setting of the “operation setting” property (“0xB0”) is other than the bathroom drying mode.

This property shall be effective even when the value of the “operation status” property (“0x80”) is OFF (“0x31”).

(7) Cool air circulator operation setting

Used to set the cool air circulation level for the cool air circulator mode and to acquire the current setting.

- The property value for the “automatic” state shall be “0x41.” This ECHONET Specification does not specify requirements regarding the functions to be provided in relation to the “automatic” state.
- The property value for the “standard” state shall be “0x42.” The “standard” state is a state in which the standard cool air circulation level setting of the actual device implemented with this class is used.
- In addition, 8 predefined cool air circulation levels shall be provided and the property values “0x31” to “0x38” shall be assigned to the 8 levels. The cool air circulation strengths that correspond to the 8 levels may be defined freely, as long as the property values “0x31” and “0x38” are assigned to the lowest and highest cool air circulation strengths, respectively.

It is only required to implement the property values that correspond to the functions supported by the actual device implemented with this class.

When this property is implemented, setting/acquisition must be possible even when the current setting of the “operation setting” property (“0xB0”) is other than the cool air circulator mode.

This property shall be effective even when the value of the “operation status” property (“0x80”) is OFF (“0x31”).

(8) Measured relative bathroom humidity

This property indicates the measured relative bathroom humidity in %.

The property value range shall be “0x00” to “0x64” (0 to 100%). When the property value of the actual device is higher than the property value range, the overflow code value “0xFF” shall be used. When the property value of the actual device is lower than the property value range, the underflow code value “0xFE” shall be used. When it is not possible to return a measured value, the value “0xFD” shall be used.

This property shall be effective even when the value of the “operation status” property (“0x80”) is OFF (“0x31”).

(9) Measured bathroom temperature

This property indicates the measured bathroom temperature in °C.

The property value range shall be “0x81” to “0x7D” (−127 to +125°C). When the property value of the actual device is higher than the property value range, the overflow code value “0x7F” shall be used. When the property value of the actual

device is lower than the property value range, the underflow code value “0x80” shall be used.

When it is not possible to return a measured value, the value “0x7E” shall be used.

This property shall be effective even when the value of the “operation status” property (“0x80”) is OFF (“0x31”).

(10) Human body detection status

This property indicates the human body detection status (human body detection sensor).

Detected : 0x41

Not detected : 0x42

(11) Filter cleaning reminder sign setting

Used to set the filter cleaning reminder sign status (lit/not lit) and to acquire the current setting.

Lit : 0x41

Not lit : 0x42

This property shall be effective even when the value of the “operation status” property (“0x80”) is OFF (“0x31”).

(12) Ventilation air flow rate setting

Used to set the air flow rate level for the around-the-clock ventilation function and to acquire the current setting.

- The property value for the “automatic” state shall be “0x41.”
- In addition, 8 predefined air flow rate levels shall be provided and the property values “0x31” to “0x38” shall be assigned to the 8 levels. The air flow rates that correspond to the 8 levels may be defined freely, as long as the property values “0x31” and “0x38” are assigned to the lowest and highest air flow rates, respectively.

This property shall be effective even when the value of the “operation status” property (“0x80”) is OFF (“0x31”).

(13) “ON timer-based reservation” setting 1

Used to set the ON/OFF status of the ON timer-based reservation function and to acquire the current setting. The mode in which the device starts operating is not specified. This property works in combination with the “ON timer setting (time)” or “ON timer setting (relative time)” property.

Reservation function ON : 0x41

Reservation function OFF : 0x42

This property shall be effective even when the value of the “operation status” property (“0x80”) is OFF (“0x31”).

(14) “ON timer-based reservation” setting 2

Used to set the ON/OFF status of the ON timer-based reservation function with the mode in which the device starts operating specified, and to acquire the current setting. This property works in combination with the “ON timer setting (time)” or “ON timer setting (relative time)” property. Each of the operation modes shall be assigned with the respective code value specified below.

Reservation function ON for the ventilation mode	: 0x10
Reservation function ON for the bathroom pre-warmer mode	: 0x20
Reservation function ON for the bathroom heater mode	: 0x30
Reservation function ON for the bathroom dryer mode	: 0x40
Reservation function ON for the cool air circulator mode	: 0x50
Reservation function OFF	: 0x00

It is only required to implement the property values that correspond to the functions supported by the actual device implemented with this class.

This property shall be effective even when the value of the “operation status” property (“0x80”) is OFF (“0x31”).

(15) ON timer setting (time)

This property indicates, when the ““ON timer-based reservation’ setting 1” or ““ON timer-based reservation’ setting 2”” property value is a value for using the time-based reservation function, the time at which the bathroom heater and dryer will be turned on.

The “hour (0x00 to 0x17 (0 to 23)) : minute (0x00 to 0x3B (0 to 59))” format shall be used, with the higher- and lower-order bytes used for the “hour” and “minute” values, respectively.

This property shall be effective even when the value of the “operation status” property (“0x80”) is OFF (“0x31”).

(16) ON timer setting (relative time)

This property indicates, when the ““ON timer-based reservation’ setting 1” or ““ON timer-based reservation’ setting 2”” property value is a value for using the relative time-based reservation function, the time at which the bathroom heater and dryer will be turned on as a relative time with respect to the current time.

The “hour (0x00 to 0x17 (0 to 23)) : minute (0x00 to 0x3B (0 to 59))” format shall be used, with the higher- and lower-order bytes used for the “hour” and “minute” values, respectively.

This property shall be effective even when the value of the “operation status” property (“0x80”) is OFF (“0x31”).

(17) “OFF timer-based reservation” setting

Used to set the ON/OFF status of the OFF timer-based reservation function. This property works in combination with the “OFF timer setting (time)” or “OFF timer setting (relative time)” property.

Reservation function ON : 0x41

Reservation function OFF : 0x42

This property shall be effective even when the value of the “operation status” property (“0x80”) is OFF (“0x31”).

(18) OFF timer setting (time)

This property indicates, when the ““OFF timer-based reservation’ setting” property value is “ON,” the time at which the bathroom heater and dryer will be turned off. The “hour (0x00 to 0x17 (0 to 23)) : minute (0x00 to 0x3B (0 to 59))” format shall be used, with the higher- and lower-order bytes used for the “hour” and “minute” values, respectively.

This property shall be effective even when the value of the “operation status” property (“0x80”) is OFF (“0x31”).

(19) OFF timer setting (relative time)

This property indicates, when the ““OFF timer-based reservation’ setting” property value is “ON,” the time at which the bathroom heater and dryer will be turned off as a relative time with respect to the current time.

The “hour (0x00 to 0x17 (0 to 23)) : minute (0x00 to 0x3B (0 to 59))” format shall be used, with the higher- and lower-order bytes used for the “hour” and “minute” values, respectively.

This property shall be effective even when the value of the “operation status” property (“0x80”) is OFF (“0x31”).

3. 3. 13 Requirements for household solar power generation class

Class group code : 0x02

Class code : 0x79

Instance code : 0x01–0x7F (0x00: All-instance specification code)

Property name	EPC	Contents of property	Data type	Data size	Unit	Access rule	Mandatory	Announcement at status change	Remark
		Value range (decimal notation)							
Operation status	0x80	This property indicates the ON/OFF status.	unsigned char	1 byte	—	Set	○	○	
		ON=0x30, OFF=0x31				Get			
System-interconnected type	0xD0	This property indicates system interconnection status	unsigned char	1 byte	–	Get			
		System-interconnected type (reverse power flow acceptable) = 0x00 Independent type = 0x01 System-interconnected type (reverse power flow not acceptable) =0x02							
Measured instantaneous amount of electricity generated	0xE0	This property indicates instantaneous generated power in watts.	unsigned short	2 bytes	W	Get	○		
		0x0000–0xFFFD (0–65,533)							
Measured cumulative amount of electric energy generated	0xE1	This property indicates cumulative amounts of electric energy in 0.001 kWh.	unsigned long	4 bytes	0.001 kWh	Get	○		
		0x00000000–0x3B9AC9FF (0–999,999.999 kWh)							
Resetting cumulative amount of electric energy generated	0xE2	Resets cumulative amount of electric energy generated by setting 0x00.	unsigned char	1 byte	–	Set			
		Reset = 0x00							
Measured cumulative amount of electric energy sold	0xE3	This property indicates cumulative value of sold power in 0.001 kWh.	unsigned long	4 bytes	0.001 kWh	Get			
		0x00000000–0x3B9AC9FF (0–999,999.999 kWh)							
Resetting cumulative amount of electric energy sold	0xE4	Resets cumulative amount of electric energy sold by setting 0x00.	unsigned char	1 byte	–	Set			
		Reset = 0x00							
Power generation output limit setting 1	0xE5	Specifies the power generation output as a percentage of the rated power generation output and to acquire the current setting.	unsigned char	1 byte	%	Set/Get			
		0x00–0x64 (0–100%)							
Power generation output limit setting 2	0xE6	Specifies the power generation output in watts and to acquire the current setting.	unsigned short	2 bytes	W	Set/Get			
		0x0000–0xFFFD (0–65,533)							
Limit setting for the amount of electricity sold	0xE7	Specifies, in watts, the amount of electricity sold and to acquire the current setting.	unsigned short	2 bytes	W	Set/Get			
		0x0000–0xFFFD (0–65,533)							
Rated power generation output (System-interconnected)	0xE8	This property indicates the rated power output in the system-interconnected status in watts.	unsigned short	2 bytes	W	Set/Get			
		0x0000–0xFFFD (0–65,533)							

Rated power generation output (Independent)	0xE9	This property indicates the rated power output in the independent status in watts.	unsigned short	2 bytes	W	Set/Get			
---	------	--	----------------	---------	---	---------	--	--	--

Note: In the “Announcement at status change” column, ○ denotes mandatory processing when the property is implemented.

(1) Operation status

This property indicates whether the function native to this class is operating or not (ON/OFF). In the node mounting this class, if the function of this class is started concurrently with the start of node operation, this property may be implemented at a fixed value of 0x30 (Operation status ON).

(2) System-interconnected type

This property indicates the status of interconnection with the current system (system-interconnected type).

System interconnection (reverse power flow acceptable) = 0x00, Independent type = 0x01, System interconnection (reverse power flow not acceptable) = 0x02.

(3) Measured instantaneous amount of electricity generated

This property indicates the instantaneous output in watts. The property value range shall be 0x0000 to 0xFFFFD. When the property value of the actual piece of equipment is higher than the upper limit of the property value range, the overflow code 0xFFFF shall be used. When the property value is lower than the lower limit of the property value range, the underflow code 0xFFFFE shall be used.

(4) Measured cumulative amount of electric energy generated

This property indicates the cumulative amount of electric energy generated in kWh. The property value range shall be 0x00000000 to 0x3B9AC9FF (0 to 999,999.999 kWh). When the cumulative amounts of electric energy overflows, the property value shall be incremented again from 0x00000000.

(5) Resetting cumulative amount of electric energy generated

Resets the cumulative amount of electric energy generated to zero by setting 0x00.

(6) Measured cumulative amount of electric energy sold

This property indicates the cumulative amount of electric energy sold in kWh. The property value range shall be 0x00000000 to 0x3B9AC9FF (0 to 999,999.999 kWh). When the cumulative amounts of electric energy overflows, the property value shall be incremented again from 0x00000000.

- (7) Resetting cumulative amount of electric energy sold
Resets the cumulative amount of electric energy generated to zero by setting 0x00.
- (8) Power generation output limit setting 1
Used to specify the power generation output as a percentage of the rated power generation output and to acquire the current setting. The value range for this property is from 0 to 100 (from 0x00 to 0x64), and the unit is %. When the value of this property is 100, no limit is imposed. In the case where it is not possible to limit the power generation output using the value specified by this property, the power generation output shall be limited using a value that is closest to and lower than the value specified by this property.
- (9) Power generation output limit setting 2
Used to specify the power generation output in watts and to acquire the current setting. The value range for this property is from 0x0000 to 0xFFFFD (from 0 to 65533). In the case where it is not possible to limit the power generation output using the value specified by this property, the power generation output shall be limited using a value that is closest to and lower than the value specified by this property.
- (10) Limit setting for the amount of electricity sold
Used to specify, in watts, the amount of electricity sold and to acquire the current setting. The value range for this property is from 0x0000 to 0xFFFFD (from 0 to 65533). In the case where it is not possible to limit the amount of electricity sold using the value specified by this property, the amount of electricity sold shall be limited using a value that is closest to and lower than the value specified by this property.
- (11) Rated power generation output (System-interconnected)
This property indicates the rated power generation output (catalog value) in the system-interconnected status (reverse power flow acceptable or not acceptable) in watts. The value range for this property is from 0x0000 to 0xFFFFD (from 0 to 65,533).
- (12) Rated power generation output (Independent)
This property indicates the rated power output (catalog value) in the independent status in watts. The value range for this property is from 0x0000 to 0xFFFFD (from 0 to 65,533).

3. 3. 14 Requirement for cold or hot water heat source equipment class

Class group code : 0x02

Class code : 0x7A

Instance code : 0x01–0x7F (0x00: All-instance specification code)

Property name	EPC	Contents of property	Data type	Data size	Unit	Access rule	Mandatory	Announcement at status change	Remark
		Value range (decimal notation)							
Operation status	0x80	This property indicates the ON/OFF status.	unsigned char	1 byte	—	Set		○	
		ON=0x30, OFF=0x31				Get			
Operation mode setting	0xE0	Set the operation mode of heating (hot water)/cooling (cold water) and gets the status	unsigned char	1 byte	—	Set/Get			
		Heating=0x41, Cooling=0x42							
Water temperature setting 1	0xE1	This property indicates water temperature setting.	unsigned char	1 byte	°C	Set/Get	○		Note1
		0x00–0x64 (0–100°C) AUTO=0x71							
Water temperature setting 2	0xE2	This property indicates water temperature setting level by 15 steps	unsigned char	1 byte	—	Set/Get	○		Note1
		Cooling (cold water):0x21–0x2F Heating (hot water):0x31–0x3F Indicated the minimum to maximum level respectively AUTO=0x41							
Measured temperature of outward water (Exit water Temperature)	0xE3	Measured temperature of outward water	unsigned char	1 byte	°C	Get			
		0x00–0x64 (0–100°C)							
Measured temperature of inward water (Entrance water temperature)	0xE4	Measured temperature of inward water	unsigned char	1 byte	°C	Get			
		0x00–0x64 (0–100°C)							
Special operation setting	0xE5	Sets Normal Operation/ modest operation/high power operation and gets the status	unsigned char	1 byte	—	Set/Get			
		Normal Operation=0x41, modest operation=0x42, high power operation=0x43							
Daily timer setting	0xE6	Daily timer ON/OFF Up to 2 kinds of timers can be used	unsigned char	1 byte	—	Set/Get			
		Timer OFF=0x40, timer 1=0x41 timer 2=0x42							
Daily timer setting 1	0xE7	Time set by daily timer	unsigned char × 6	6 bytes	—	Set/Get			
		Set the time in the unit of 30 minutes, dividing 24 hours by 30 minutes and allocated 6 bytes. Each bit 1: worked 0: stopped							

Daily timer setting 2	0xE8	Time set by daily timer	unsigned char × 6	6 bytes	—	Set/Get			
		Set the time in the unit of 30 minutes, dividing 24 hours by 30 minutes and allocated 6 bytes. Each bit 1: worked 0: stopped							
ON timer reservation setting	0x90	Reservation ON/OFF	unsigned char	1 byte	—	Set/Get			
		ON=0x41, OFF=0x42							
ON timer setting	0x91	Timer value HH:MM	unsigned char × 2	2 bytes	—	Set/Get			
		0-0x17: 0-0x3B (=0-23):(=0-59)							
Relative ON timer setting	0x92	Timer value HH:MM	unsigned char × 2	2 byte	—	Set/Get			
		0-0x17: 0-0x3B (=0-23):(=0-59)							
OFF timer reservation setting	0x94	Reservation ON/OFF	unsigned char	1 byte	—	Set/Get			
		ON=0x41, OFF=0x42							
Time set by OFF timer	0x95	Timer value HH:MM	unsigned char × 2	2 bytes	—	Set/Get			
		0-0x17: 0-0x3B (=0-23):(=0-59)							
Relative OFF timer setting	0x96	Timer value HH:MM	unsigned char × 2	2 bytes	—	Set/Get			
		0-0x17: 0-0x3B (=0-23):(=0-59)							
Measured instantaneous power consumption	0x84	This property indicates the instantaneous power consumption of a device in watts	unsigned short	2 bytes	W	Get			
		0x0000-0xFFFD (0-65533)							
Measured cumulative power consumption	0x85	This property indicates the cumulative power consumption of a device in units of 0.001kWh	unsigned long	4 bytes	kWh	Get			
		0x00000000-0x3B9AC9FF (0-999,999.999)							
Rated power consumption	0xE9	Rated power consumption of heater (hot water) / cooler (cold water) in watts for each operating mode	unsigned short × 2	4 bytes	W	Get			
		0x0000-0xFFFD (0-65533W) Heater (hot water) : cooler (cold water)							
Power consumption measurement method	0xEA	This property indicates the method of measuring instantaneous power consumption, cumulative power consumption and rated power consumption	unsigned char	1 byte	—	Get			
		Node unit = 0x41 Class unit = 0x42 Instance unit = 0x43							

Note: In the “Announcement at status change” column, o denotes mandatory processing when the property is implemented.

Note1: Either “Water temperature setting 1” or “Water temperature setting 2” must be specified.

- (1) Operation status (inherited from device object super class property)
This property indicates ON/OFF of the heat source. ON/OFF shall correspond to the property value of 0x30/0x31.

- (2) Operation mode setting
Sets operation mode of heating (hot water)/cooling (cold water) and gets the setting status. The mode corresponds to the property value of 0x41/0x42 sequentially. When a heat pump is used as a heat source, the heat source can generate not only hot water for floor heating but also cold water. The property is used for switching of operation mode.
This property shall be effective even when the value of operation status property (0x80) is OFF (0x31).

- (3) Water temperature setting 1
This property indicates the setting value of water temperature in degrees in Celsius and sets the property values to be 0°C to 100°C (0x00 to 0x64).
When this property indicates an automatic operation worked by an algorithm of automatic temperature setting of the heat source equipment, AUTO=0x71 (automatic temperature) is set.
This property shall be effective even when the value of operation status property (0x80) is OFF (0x31).
Either this property or Water temperature setting 2 (0xE2) must be implemented.

- (4) Water temperature setting 2
This property indicates the setting value of water temperature by 15 steps and the property value is 0x21 to 0x2F for cooling (cold water) or 0x31 to 0x3F for heating (hot water). Each temperature level does not specify the figures in Celsius, and shall indicate 0x21 or 0x31 for the minimum temperature and 0x2F or 0x3F for the maximum temperature.
When this property indicates an automatic operation worked by an algorithm of automatic temperature setting of the heat source equipment, AUTO=0x41 (automatic temperature) is set.
This property shall be effective even when the value of operation status property (0x80) is OFF (0x31).
Either this property or Water temperature setting 1 (0xE1) must be implemented.

- (5) Measured temperature of outward water (exit water temperature)
This property indicates the measured temperature of outward water that goes out of the heat source equipment in Celsius. The range of the property value shall be 0x00

to 0x64 (0 to 100°C). The property value shall be used the overflow code 0x7F when the measured property value of the actual equipment is over the range, and shall be used the underflow code 0x80 when the measured property value of the actual equipment is less the range. 0x7E shall be used when the measured value cannot be returned.

This property shall be effective even when the value of operation status property (0x80) is OFF (0x31).

(6) Measured temperature of inward water (entrance water temperature)

This property indicates the measured temperature of inward water that comes into the heat source in Celsius. The range of the property value shall be 0x00 to 0x64 (0 to 100°C). The property value shall be used the overflow code 0x7F when the measured property value is over the range, and shall be used the underflow code 0x80 when the measured property value is less the range. 0x7E shall be used when the measured value cannot be returned.

This property shall be effective even when the value of operation status property (0x80) is OFF (0x31).

(7) Special operation setting

Sets normal/modest/high power operation and gets the status. This property corresponds to the property value of 0x41/0x42/0x43.

The modest operation temporarily controls at a lower temperature for the water temperature setting value. The high power operation temporarily controls at a higher temperature for the water temperature setting value.

(8) Daily timer setting

Sets ON/OFF of the daily timer and gets the status.

2 kinds of daily timers can be used (for weekdays or holidays, for example).

Timer OFF: 0x40, timer 1 ON: 0x41, timer 2 ON: 0x42.

This property shall be effective even when the value of operation status property (0x80) is OFF (0x31).

(9) Daily timer setting 1

(10) Daily timer setting 2

Set the setting values of the timer 1 and the timer 2 for “daily time setting” and get the status respectively.

24 hours is divided by 30 minutes .The timer is set in the unit of 30 minutes and allocated 6 bytes. 1: operated or 0: stopped is indicated for each bit.

This property shall be effective even when the value of operation status property (0x80) is OFF (0x31).

The 1st byte

b0	b1	b2	b3	b4	b5	b6	b7
0:00 -0:29	0:30 -0:59	1:00 -1:29	1:30 -1:59	2:00 -2:29	2:30 -2:59	3:00 -3:29	3:30 -3:59

The 2nd byte

b0	b1	b2	b3	b4	b5	b6	b7
4:00 -4:29	4:30 -4:59	5:00 -5:29	5:30 -5:59	6:00 -6:29	6:30 -6:59	7:00 -7:29	7:30 -7:59

The 3rd byte

b0	b1	b2	b3	b4	b5	b6	b7
8:00 -8:29	8:30 -8:59	9:00 -9:29	9:30 -9:59	10:00 -10:29	10:30 -10:59	11:00 -11:29	11:30 -11:59

The 4th byte

b0	b1	b2	b3	b4	b5	b6	b7
12:00 -12:29	12:30 -12:59	13:00 -13:29	13:30 -13:59	14:00 -14:29	14:30 -14:59	15:00 -15:29	15:30 -15:59

The 5th byte

b0	b1	b2	b3	b4	b5	b6	b7
16:00 -16:29	16:30 -16:59	17:00 -17:29	17:30 -17:59	18:00 -18:29	18:30 -18:59	19:00 -19:29	19:30 -19:59

The 6th byte

b0	b1	b2	b3	b4	b5	b6	b7
20:00 -20:29	20:30 -20:59	21:00 -21:29	21:30 -21:59	22:00 -22:29	22:30 -22:59	23:00 -23:29	23:30 -23:59

(11) ON timer reservation setting

Sets reservation ON/OFF of the ON timer. This property has relation to “Time set by ON timer” and “Relative ON timer setting”.

Reservation ON=0x41, OFF=0x42.

This property shall be effective even when the value of operation status property

(0x80) is OFF (0x31).

(12) Time set by ON timer

This property indicates the ON time of the heat source equipment by hours: 0x00 to 0x17 (0 to 23) and minutes: 0x00 to 0x3B (0 to 59) when “ON timer reservation setting” is ON. The property value shall sequentially indicate the hour and minute, beginning with the high-order byte.

This property shall be effective even when the value of operation status property (0x80) is OFF (0x31).

(13) Relative ON timer setting

This property indicates the ON time of the heat source equipment by relative time from the current time. The data format is hours: 0x00 to 0x17 (0 to 23) and minutes: 0x00 to 0x3B (0 to 59) when “ON timer reservation setting” is ON. The property value shall sequentially indicate the hour and minute, beginning with the high-order byte.

This property shall be effective even when the value of operation status property (0x80) is OFF (0x31).

(14) OFF timer reservation setting

Sets reservation ON/OFF of the OFF timer. This property has relation to “Time set by OFF timer” and “Relative OFF timer setting”.

Reservation ON=0x41, OFF=0x42.

This property shall be effective even when the value of operation status property (0x80) is OFF (0x31).

(15) Time set by OFF timer

This property indicates the OFF time of the heat source equipment by hours: 0x00 to 0x17 (0 to 23) and minutes: 0x00 to 0x3B (0 to 59) when “OFF timer reservation setting” is ON. The property value shall sequentially indicate the hour and minute, beginning with the high-order byte.

This property shall be effective even when the value of operation status property (0x80) is OFF (0x31).

(16) Relative OFF timer setting

This property indicates the OFF time of the heat source equipment by relative time from the current time when “OFF timer reservation setting” is ON. The data format is hours: 0x00 to 0x17 (0 to 23) and minutes: 0x00 to 0x3B (0 to 59). The property value shall sequentially indicate the hour and minute, beginning with the high-order

byte.

This property shall be effective even when the value of operation status property (0x80) is OFF (0x31).

(17) Measured instantaneous power consumption (property inherited from the device object super class)

This property indicates the instantaneous power consumption of heat source equipment in units of watts. The value range for this property shall be 0x0000-0xFFFFD. When the property value of an actual device is higher than the property value range, overflow code 0xFFFF shall be used. When the property value of an actual device is lower than the property value range, underflow code 0xFFFE shall be used.

With heat source equipment, when there is more than one class or instance inside a single node, the measured instantaneous power consumption for the whole node may be returned as a common value for any class or instance.

This property is related to “Power consumption measurement method”.

(18) Measured cumulative power consumption (property inherited from the device object super class)

This property indicates the cumulative power consumption of heat source equipment in units of 0.001kWh. The value range for this property shall be 0x00000000-0x3B9AC9FF (0-999,999.999kWh). When the measured cumulative power consumption overflows, the property value shall be incremented again from 0x00000000.

With heat source equipment, when there is more than one class or instance inside a single node, the measured cumulative power consumption for the whole node may be returned as a common value for any class or instance.

This property is related to “Power consumption measurement method”.

(19) Rated power consumption

This property indicates the rated power consumption (catalog value) of each operating mode of a heater (hot water) / cooler (cold water) in units of watts. Power consumption in each operating mode is 0x0000-0xFFFFD (0-65533), and the property value is taken from the upper bytes in the order of heater (hot water) / cooler (cold water).

When the property value of an actual device is higher than the property value range, overflow code 0xFFFF shall be used. When lower than the property value range, underflow code 0xFFFE shall be used.

If the actual device does not support any of the operating modes as a function, underflow code 0XFFFE shall be used.

This property shall be guaranteed effective even when the operation status property (0x80) is OFF (0x31).

When using more than one class or instance inside a single node, the rated power consumption for the whole node may be returned as a common value for any class or instance.

This property is related to “Power consumption measurement method”.

(20)Power consumption measurement method

This property indicates the method of measuring “Measured instantaneous power consumption”, “Measured cumulative power consumption” and “Rated power consumption”.

If returning common values inside the same node (if returning a common value for more than one class or instance inside the node), the node unit shall be 0x41.

If returning common values inside the same class (if returning a common value for more than one instance inside the class), the class unit shall be 0x42. Note that the acquirable value is the value for the class in question, and that the total of values for each class is not necessarily the value for the whole node.

If returning different values for each instance, the instance unit shall be 0x43. Note that the acquirable value is the value for the instance in question, and that the total of values for each instance is not necessarily the value for the whole node.

This property is related to “Measured instantaneous power consumption”, “Measured cumulative power consumption” and “Rated power consumption”.

When this property is not installed, the method of measuring “Measured instantaneous power consumption”, “Measured cumulative power consumption” and “Rated power consumption” shall be based on the instance unit.

3. 3. 15 Requirement for floor heater class

Class group code : 0x02

Class code : 0x7B

Instance code : 0x01–0x7F (0x00: All-instance specification code)

Property name	EPC	Contents of property	Data type	Data size	Unit	Access rule	Mandatory	Announcement at status change	Remark
		Value range (decimal notation)							
Operation status	0x80	This property indicates the ON/OFF status.	unsigned char	1 byte	—	Set	○	○	
		ON=0x30, OFF=0x31				Get	○		
Temperature setting 1	0xE0	This property indicates set temperature	unsigned char	1 byte	°C	Set/Get	○		Note1
		0x00-0x32 (0-50°C) AUTO=0x41							
Temperature setting 2	0xE1	This property indicates set temperature level by 15 steps	unsigned char	1 byte	—	Set/Get	○		Note1
		0x31-0x3F 0x31 indicates the minimum level, 0x3F indicates the maximum level AUTO=0x41							
Measured room temperature	0xE2	Measured room temperature	signed char	1 byte	°C	Get			
		0x81–0x7D (-127–125°C)							
Measured floor temperature	0xE3	Measured floor temperature	signed char	1 byte	°C	Get			
		0x81–0x7D (-127–125°C)							
Zone change setting	0xE4	Sets the target zone for control and gets the number of controllable zones	unsigned char	1 byte		Set/Get			
		b0–b7 is allocated to 0 to 7 Each bit 1: with control, 0: without control							
Special operation setting	0xE5	Sets Normal Operation/modest operation/high power operation and gets the status	unsigned char	1 byte	—	Set/Get			
		Normal Operation=0x41, modest operation=0x42, high power operation=0x43							
Daily timer setting	0xE6	Daily timer ON/OFF Up to 2 kinds of timers can be used	unsigned char	1 byte	—	Set/Get			
		Timer OFF=0x40, timer 1=0x41, timer 2=0x42							
Daily timer setting 1	0xE7	Time set by daily timer	unsigned char × 6	6 bytes	—	Set/Get			
		Set the time in the unit of 30 minutes, dividing 24 hours by 30 minutes and allocated to 6 bytes. Each bit 1: worked 0: stopped							
Daily timer setting 2	0xE8	Time set by daily timer	unsigned char × 6	6 bytes	—	Set/Get			
		Set the time in the unit of 30 minutes, dividing 24 hours by 30 minutes and allocated to 6 bytes. Each bit 1: worked 0: stopped							

ON timer reservation setting	0x90	Reservation ON/OFF	unsigned char	1 byte	—	Set/Get			
		ON=0x41, OFF=0x42							
Time set by ON timer	0x91	Timer value HH:MM	unsigned char × 2	2 bytes	—	Set/Get			
		0-0x17: 0-0x3B (=0-23):(=0-59)							
Relative ON timer setting	0x92	Timer value HH:MM	unsigned char × 2	2 byte	—	Set/Get			
		0-0x17: 0-0x3B (=0-23):(=0-59)							
OFF timer reservation setting	0x94	Reservation ON/OFF	unsigned char	1 byte	—	Set/Get			
		ON=0x41, OFF=0x42							
Time set by OFF timer	0x95	Timer value HH:MM	unsigned char × 2	2 bytes	—	Set/Get			
		0-0x17: 0-0x3B (=0-23):(=0-59)							
Relative OFF timer setting	0x96	Timer value HH:MM	unsigned char × 2	2 bytes	—	Set/Get			
		0-0x17: 0-0x3B (=0-23):(=0-59)							
Measured instantaneous power consumption	0x84	This property indicates the instantaneous power consumption of a device in watts	unsigned short	2 bytes	W	Get			
		0x0000-0xFFFD (0-65533)							
Measured cumulative power consumption	0x85	This property indicates the cumulative power consumption of a device in units of 0.001kWh	unsigned long	4 bytes	kWh	Get			
		0x00000000-0x3B9AC9FF (0-999,999.999)							
Rated power consumption	0xE9	This property indicates the rated power consumption in watts	unsigned short	2 bytes	W	Get			
		0x0000-0xFFFD (0-65533W)							
Power consumption measurement method	0xEA	This property indicates the method of measuring instantaneous power consumption, cumulative power consumption and rated power consumption	unsigned char	1 byte	—	Get			
		Node unit = 0x41 Class unit = 0x42 Instance unit = 0x43							

Note: In the “Announcement at status change” column, ○ denotes mandatory processing when the property is implemented.

Note1: Either “Temperature setting 1 EPC:0xE0” or “Temperature setting 2 EPC:0xE1” must be specified.

(1) Operation status (inherited from device object super class property)

This property indicates ON/OFF of the floor heater. ON/OFF shall correspond to the property value of 0x030/0x31. The access rule “Set” must be implemented for floor heaters.

(2) Temperature setting 1

This property indicates the setting value of temperature in degrees in Celsius and sets the property values to be 0°C to 50°C (0x00 to 0x32).

When this property indicates an automatic operation worked by an algorithm of automatic temperature setting of the floor heater, AUTO=0x41 (automatic temperature) is set.

The temperature means that is controlled by the floor heater (room temperature, floor temperature, etc.) and either kind of temperature can be controlled here.

This property shall be effective even when the value of operation status property (0x80) is OFF (0x31).

Either this property or Temperature setting 2 (0xE1) must be implemented.

(3) Water temperature setting 2

This property indicates the setting value of temperature by 15 steps and the property value is 0x31 to 0x3F. Each temperature level does not specify the figures in Celsius, and shall indicate 0x31 for the minimum temperature and 0x3F for the maximum temperature.

When this property indicates an automatic operation worked by an algorithm of automatic temperature setting of the floor heater, AUTO=0x41 (automatic temperature) is set.

This property shall be effective even when the value of operation status property (0x80) is OFF (0x31).

Either this property or Temperature setting 1 (0xE0) must be implemented.

(4) Measured room temperature

This property indicates the measured room temperature in Celsius. The range of the property value shall be -127 to 125°C (0x81 to 0x7D). The property value shall be used the overflow code 0x7F when the measured property value is over the range, and shall be used the underflow code 0x80 when the measured property value is less the range. 0x7E shall be used when the measured value cannot be returned. This property shall be effective even when the value of operation status property (0x80) is OFF (0x31).

(5) Measured floor temperature

This property indicates the measured temperature in Celsius. The range of the property value shall be -127 to 125°C (0x81 to 0x7D). The property value shall be used the overflow code 0x7F when the measured property value is over the range, and shall be used the underflow code 0x80 when the measured property value is less the range. 0x7E shall be used when the measured value cannot be returned.

(6) Zone change setting

Sets the target zone and gets the controllable zone when the target floor is divided into zones. The maximum number of zones for the floor is 8 and each zone is explained by a bit map. The b0 to b7 is allocated to the zone 0 to 7. Each bit shall be 1: with control and 0: without control.

This property shall be effective even when the value of operation status property (0x80) is OFF (0x31).

When setting other properties such as Operation status (0x80) or Temperature setting 1 (0xE0) for each zone or acquiring the setting status, instances may be allocated to each zone.

(7) Special operation setting

Sets normal/modest/high power operation and gets the status. This property corresponds to the property value of 0x41/0x42/0x43.

The modest operation temporarily controls at a lower temperature for the temperature setting value at night or at the time of absent. The high power operation temporarily controls at a higher temperature for the water temperature setting value.

(8) Daily timer setting

Sets ON/OFF of the daily timer and gets the status.

2 kinds of daily timers can be used (for weekdays or holidays, for example).

Timer OFF: 0x40, timer 1 ON: 0x41, timer 2 ON: 0x42.

This property shall be effective even when the value of operation status property (0x80) is OFF (0x31).

(9) Daily timer setting 1

(10) Daily timer setting 2

Set the setting values of the timer 1 and the timer 2 for “daily time setting” and get the status respectively.

24 hours is divided by 30 minutes. The timer is set in the unit of 30 minutes and allocated 6 bytes. 1:operated or 0:stopped is indicated for each bit.

This property shall be effective even when the value of operation status property (0x80) is OFF (0x31).

The 1st byte

b0	b1	b2	b3	b4	b5	b6
b7						

0:00 -0:29	0:30 -0:59	1:00 -1:29	1:30 -1:59	2:00 -2:29	2:30 -2:59	3:00 -3:29	3:30 -3:59
---------------	---------------	---------------	---------------	---------------	---------------	---------------	---------------

The 2nd byte

b0 b1 b2 b3 b4 b5 b6
 b7

4:00 -4:29	4:30 -4:59	5:00 -5:29	5:30 -5:59	6:00 -6:29	6:30 -6:59	7:00 -7:29	7:30 -7:59
---------------	---------------	---------------	---------------	---------------	---------------	---------------	---------------

The 3rd byte

b0 b1 b2 b3 b4 b5 b6
 b7

8:00 -8:29	8:30 -8:59	9:00 -9:29	9:30 -9:59	10:00 -10:29	10:30 -10:59	11:00 -11:29	11:30 -11:59
---------------	---------------	---------------	---------------	-----------------	-----------------	-----------------	-----------------

The 4th byte

b0 b1 b2 b3 b4 b5 b6
 b7

12:00 -12:29	12:30 -12:59	13:00 -13:29	13:30 -13:59	14:00 -14:29	14:30 -14:59	15:00 -15:29	15:30 -15:59
-----------------	-----------------	-----------------	-----------------	-----------------	-----------------	-----------------	-----------------

The 5th byte

b0 b1 b2 b3 b4 b5 b6
 b7

16:00 -16:29	16:30 -16:59	17:00 -17:29	17:30 -17:59	18:00 -18:29	18:30 -18:59	19:00 -19:29	19:30 -19:59
-----------------	-----------------	-----------------	-----------------	-----------------	-----------------	-----------------	-----------------

The 6th byte

b0 b1 b2 b3 b4 b5 b6
 b7

20:00 -20:29	20:30 -20:59	21:00 -21:29	21:30 -21:59	22:00 -22:29	22:30 -22:59	23:00 -23:29	23:30 -23:59
-----------------	-----------------	-----------------	-----------------	-----------------	-----------------	-----------------	-----------------

(11) ON timer reservation setting

Sets reservation ON/OFF of the ON timer. This property has relation to “Time set by ON timer” and “Relative ON timer setting”.

Reservation ON=0x41, OFF=0x42.

This property shall be effective even when the value of operation status property (0x80) is OFF (0x31).

(12) Time set by ON timer

This property indicates the ON time of the floor heater by hours: 0x00 to 0x17 (0 to 23) and minutes: 0x00 to 0x3B (0 to 59) when “ON timer reservation setting” is ON. The property value shall sequentially indicate the hour and minute, beginning with the high-order byte

This property shall be effective even when the value of operation status property (0x80) is OFF (0x31).

(13)Relative ON timer setting

This property indicates the ON time of the floor heater by relative time from the current time. The data format is hours: 0x00 to 0x17 (0 to 23) and minutes: 0x00 to 0x3B (0 to 59) when “ON timer reservation setting” is ON. The property value shall sequentially indicate the hour and minute, beginning with the high-order byte

This property shall be effective even when the value of operation status property (0x80) is OFF (0x31).

(14)OFF timer reservation setting

Sets reservation ON/OFF of the OFF timer. This property has relation to “Time set by OFF timer” and “Relative OFF timer setting”.

Reservation ON=0x41, OFF=0x42.

This property shall be effective even when the value of operation status property (0x80) is OFF (0x31).

(15)Time set by OFF timer

This property indicates the OFF time of the floor heater by hours: 0x00 to 0x17 (0 to 23) and minutes: 0x00 to 0x3B (0 to 59) when “OFF timer reservation setting” is ON. The property value shall sequentially indicate the hour and minute, beginning with the high-order byte

This property shall be effective even when the value of operation status property (0x80) is OFF (0x31).

(16)Relative OFF timer setting

This property indicates the OFF time of the floor heater by relative time from the current time when “OFF timer reservation setting” is ON. The data format is hours: 0x00 to 0x17 (0 to 23) and minutes: 0x00 to 0x3B (0 to 59). The property value shall sequentially indicate the hour and minute, beginning with the high-order byte

This property shall be effective even when the value of operation status property (0x80) is OFF (0x31).

(17)Measured instantaneous power consumption (property inherited from the device object super class)

Expresses the instantaneous power consumption of the floor heater in units of watts. The value range for this property shall be 0x0000-0xFFFFD. When the property value of the actual device is higher than the property value range, overflow code 0xFFFF

shall be used. When the property value of the actual device is lower than the property value range, underflow code 0xFFFE shall be used.

With floor heaters, if there is more than one class or instance inside a single node, the measured instantaneous power consumption for the whole node may be returned as a common value for any class or instance.

This property is related to “Power consumption measurement method”.

(18) Measured cumulative power consumption (property inherited from the device object super class)

Expresses the cumulative power consumption of the floor heater in units of 0.001kWh. The value range for this property shall be 0x00000000-0x3B9AC9FF (0-999,999.999kWh). When the measured cumulative power consumption overflows, the property value shall be incremented again from 0x00000000.

With floor heaters, if there is more than one class or instance inside a single node, the measured cumulative power consumption for the whole node may be returned as a common value for any class or instance.

This property is related to “Power consumption measurement method”.

(19) Rated power consumption

This property indicates the rated power consumption (catalog value) in watts. The value range for this property shall be 0x0000-0xFFFFD (0-65533). When the property value of the actual device is higher than the property value range, overflow code 0xFFFF shall be used. When lower than the property value range, underflow code 0xFFFE shall be used.

This property shall be guaranteed effective even when the operation status property (0x80) is OFF (0x31).

When using more than one class or instance inside a single node (such as when the target floor is divided into zones for control), the rated power consumption for the whole node may be returned as a common value for any class or instance.

This property is related to “Power consumption measurement method”.

(20) Power consumption measurement method

This property indicates the method of measuring “Measured instantaneous power consumption”, “Measured cumulative power consumption” and “Rated power consumption”. If returning common values inside the same node (if returning a common value for more than one class or instance inside the node), the node unit shall be 0x41.

If returning common values inside the same class (if returning a common value for more than one instance inside the class), the class unit shall be 0x42. Note that the

acquirable value is the value for the class in question, and that the total of values for each class is not necessarily the value for the whole node.

If returning different values for each instance, the instance unit shall be 0x43. Note that the acquirable value is the value for the instance in question, and that the total of values for each instance is not necessarily the value for the whole node.

This property is related to “Measured instantaneous power consumption”, “Measured cumulative power consumption” and “Rated power consumption”.

When this property is not installed, the method of measuring “Measured instantaneous power consumption”, “Measured cumulative power consumption” and “Rated power consumption” shall be based on the instance unit.

3. 3. 16 Requirements for fuel cell class

Class group code : 0x02

Class code : 0x7C

Instance code : 0x01–0x7F (0x00: All-instance specification code)

Property name	EPC	Contents of property	Data type	Data size	Unit	Access rule	Mandatory	Announcement at status change	Remark
		Value range (decimal notation)							
Operation status	0x80	This property indicates the ON/OFF status.	unsigned char	1 byte	–	Set		○	
		ON=0x30, OFF=0x31				Get			
Measured temperature of water in water heater	0xC1	This property indicates the current temperature of the water in the water heater in °C.	unsigned char	1 byte	°C	Get			
		0x00–0x64 (0–100°C)							
Rated power generation output	0xC2	This property indicates the rated power generation output in watts.	unsigned short	2 bytes	W	Get	○		
		0x0000–0xFFFD (0–65,533W)							
Heating value of hot water storage tank	0xC3	This property indicates the heating value of the hot water storage tank in MJ.	unsigned short	2 bytes	MJ	Get			
		0x0000–0xFFFD (0–65,533MJ)							
Measured instantaneous power generation output	0xC4	This property indicates the instantaneous power generation output in watts.	unsigned short	2 bytes	W	Get	○		
		0x0000–0xFFFD (0–65,533W)							
Measured cumulative power generation output	0xC5	This property indicates the cumulative power generation output in units of 0.001kWh.	unsigned long	4 bytes	0.001 kWh	Get	○		
		0x00000000–0x3B9AC9FF (0–999,999.999kWh)							
Cumulative power generation output reset setting	0xC6	Resets the cumulative power generation output by writing 0x00.	unsigned char	1 byte	–	Set			
		Reset=0x00							
Measured instantaneous gas consumption	0xC7	This property indicates the instantaneous gas consumption in units of 0.001m ³ /h.	unsigned short	2 bytes	0.001 m ³ /h	Get			
		0x0000–0xFFFD (0–65.533m ³ /h)							
Measured cumulative gas consumption	0xC8	This property indicates the cumulative gas consumption in units of 0.001m ³ .	unsigned long	4 bytes	0.001 m ³	Get			
		0x00000000–0x3B9AC9FF (0–999,999.999m ³)							
Cumulative gas consumption reset setting	0xC9	Resets the cumulative gas consumption by writing 0x00.	unsigned char	1 byte	–	Set			
		Reset=0x00							

Power generation setting	0xCA	This property indicates the setting of start or stop of power generation.	unsigned char	1 byte	—	Set/Get			
		Power generation ON=0x41, Power generation OFF=0x42							
Power generation status	0xCB	This property indicates the power generation status.	unsigned char	1 byte	—	Get	○	○	
		generating =0x41, stopped=0x42, starting=0x43, stopping=0x44, idling=0x45							
Measured in-house instantaneous power consumption	0xCC	This property indicates the measured in-house instantaneous power consumption in watts.	unsigned short	2 bytes	W	Get			
		0x0000-0xFFFFD (0-65,533W)							
Measured in-house cumulative power consumption	0xCD	This property indicates the measured in-house cumulative power consumption in units of 0.001kWh.	unsigned long	4 bytes	0.001 kWh	Get			
		0x00000000-0x3B9AC9FF (0-999,999.999kWh)							
In-house cumulative power consumption reset	0xCE	This property is set to 0x00 to reset the in-house cumulative power consumption.	unsigned char	1 byte		Set			
		Reset=0x00							
System interconnected type	0xD0	This property indicates the status of interconnection with the system.	unsigned char	1 byte	—	Get	○		
		System-interconnected type (reverse power flow acceptable)=0x00, Independent type=0x01, System-interconnected type(reverse power flow not acceptable)=0x02							
Power generation request time setting	0xD1	Start times and end times that are requested power generation by fuel cells shall be listed.	unsigned char x 4	4 bytes		Set/Get	○		
		Start time: End time: 0-0x17:0-0x3B:0-0x17: 0-0x3B (=0-*23):(=0-59):(=0-23):(=0-59) When not set: 0xFFFFFFFF							
Designated power generation status	0xD2	Used to specify the power generation method when a fuel cell generates power within the power generation requested time.	unsigned char	1 byte		Set/Get	○		
		Power generation at the maximum rating: 0x41 Load following power generation: 0x42							
Measured remaining hot water amount	0xE1	This property indicates the measured amount of remaining hot water in liters.	unsigned short	2 bytes	liter	Get			
		0x0000-0xFFFFD (0-65,533 liters)							
Tank capacity	0xE2	This property indicates the tank capacity in liters.	unsigned short	2 bytes	liter	Get			
		0x0000-0xFFFFD (0-65,533 liters)							

Note: In the “Announcement at status change” column, ○ denotes mandatory processing when the property is implemented.

- (1) Operation status (a property inherited from the device object super class)

This property indicates whether the functions specific to this class are operating (ON) or not (OFF). In the case of a node in which this class is implemented and the functions specific to this class start operating upon startup of the node, this property may be implemented with the value fixed at 0x30 (operation status ON).

(2) Measured hot water temperature of water heater

This property indicates the current hot water temperature in the hot water storage tank in °C. The property value range is 0x00 to 0x64 (0 to 100°C).

(3) Rated power generation output

This property indicates the rated power generation output in watts. The property value range is 0x0000 to 0xFFFFD. When the property value of the actual device is higher than the upper bound of the value range, 0xFFFF (overflow code) shall be used. When the property value of the actual device is lower than the lower bound of the value range, 0xFFFFE (underflow code) shall be used.

(4) Heating value of hot water storage tank

This property indicates the heating value of the hot water storage tank in MJ. The property value range is 0x0000 to 0xFFFFD. When the property value of the actual device is higher than the upper bound of the value range, 0xFFFF (overflow code) shall be used. When the property value of the actual device is lower than the lower bound of the value range, 0xFFFFE (underflow code) shall be used.

(5) Measured instantaneous power generation output

This property indicates the instantaneous power generation output in watts. The property value range is 0x0000 to 0xFFFFD. When the property value of the actual device is higher than the upper bound of the value range, 0xFFFF (overflow code) shall be used. When the property value of the actual device is lower than the lower bound of the value range, 0xFFFFE (underflow code) shall be used.

(6) Measured cumulative power generation output

This property indicates the cumulative power generation output in units of 0.001kWh. The property value range is 0x00000000 to 0x3B9AC9FF (0 to 999,999.999 kWh). In the event of a cumulative power generation output overflow, the counting of the cumulative power generation output shall be restarted from 0x00000000.

- (7) Cumulative power generation output reset setting
Resets the cumulative power generation output to zero by setting 0x00.
- (8) Measured instantaneous gas consumption
This property indicates the instantaneous gas consumption in units of 0.001m³/h. The property value range is 0x0000 to 0xFFFFD (0 to 65.533m³/h). When the property value of the actual device is higher than the upper bound of the value range, 0xFFFF (overflow code) shall be used. When the property value of the actual device is lower than the lower bound of the value range, 0xFFFFE (underflow code) shall be used.
- (9) Measured cumulative gas consumption
This property indicates the cumulative gas consumption in units of 0.001 m³. The property value range is 0x00000000 to 0x3B9AC9FF (0 to 999,999.999 m³). In the event of a cumulative gas consumption overflow, the counting of the cumulative gas consumption shall be restarted from 0x00000000.
- (10) Cumulative gas consumption reset setting
Resets the cumulative gas consumption to zero by setting 0x00.
- (11) Power generation setting
This property indicates the setting of power generation by the fuel cell. The property value for power generation ON is 0x41, and the property value for power generation OFF is 0x42.
- (12) Power generation status
This property indicates the power generation status of the fuel cell. The property value for generating is 0x41, the property value for stopped is 0x42, the property value for starting is 0x43, the property value for stopping is 0x44 and the property value for idling is 0x45.
- (13) Measured in-house instantaneous power consumption
This property indicates the in-house instantaneous power consumption in watts. The property value range is 0x0000 to 0xFFFFD. When the property value of the actual device is higher than the value range of this property, the overflow code 0xFFFF shall be used. When the property value is lower than the value range of this property,

the underflow code 0xFFFFE shall be used.

In-house instantaneous power consumption is the sum of power where an anti-reverse power flow CT is installed and the power output.

(14) Measured in-house cumulative power consumption

This property indicates the in-house cumulative power consumption in units of 0.001kWh. The property value range is 0x00000000 to 0x3B9AC9FF (0 to 999,999.999kWh) and increments again from 0x00000000 in case of a cumulative power consumption overflow.

In-house cumulative power consumption is the sum of power where an anti-reverse power flow CT is installed and the power output.

(15) In-house cumulative power consumption reset

This property is set to 0x00 to reset the in-house cumulative power consumption to zero.

In-house cumulative power consumption is the sum of power where an anti-reverse power flow CT is installed and the power output.

(16) System-interconnected type

This property indicates the current status of interconnection with the system (system-interconnected type).

System interconnection (reverse power flow acceptable) = 0x00, Independent type = 0x01, System interconnection (reverse power flow not acceptable) = 0x02.

Note that “reverse power flow acceptable” shall mean that a fuel cell is set to allow reverse power flow, while “reverse power flow not acceptable” shall mean that a fuel cell is set to not allow reverse power flow.

(17) Power generation request time setting

The time that a fuel cell generates power is determined based on the fuel cell’s control algorithm. However, the time to request power generation (start time and end time) shall be set to fuel cells using this property. Note that power may not be always generated even in during the power generation request time, due to power usage status, the amount of hot water remaining in the tank, or device protection. Especially when the fuel cell has not been started, it is recommended to set a start time after a certain amount of time has elapsed, considering the start-up time of the fuel cell.

This property value shall have a list of start times and end times. When the value of

this property has not been set the value shall be set to “0xFFFFFFFF” (not set). The property value for the fuel cell shall be set to “not set” when reaching the end time. When a start time is set to a time earlier than the current time, the fuel cell shall interpret the start time as being for the following day. When an end time is set to a time earlier than the start time, the fuel cell shall interpret the end time as being for the following day.

Note that the fuel cell shall determine whether is generated or not, for time other than power generation request time.

(18) Designated power generation status

When a fuel cell generates power during the time set by “power generation request time setting property”, it shall set whether it generates power at maximum rating or load following. Then, setting status shall be acquired. Note, however, that “power generation at maximum rating” shall be set only when the value of the system interconnected type property is “system interconnected type (reverse power flow acceptable)”.

Note that power may not always be generated at maximum rating under certain conditions, since the fuel cell determines the amount of power to be generated (including whether generates power or not). These conditions include the amount of hot water remaining in the tank, reverse power flow acceptable or not, and power usage status of users.

(19) Measured remaining hot water amount

This property indicates the amount of hot water remaining in the tank in liters. The property value range is 0x0000 to 0xFFFFD (0 to 65,533 liters). When the property value of the actual device is higher than the upper bound of the value range, 0xFFFF (overflow code) shall be used. When the property value of the actual device is lower than the lower bound of the value range, 0xFFFFE (underflow code) shall be used.

(20) Tank capacity

This property indicates the tank capacity in liters. The property value range is 0x0000 to 0xFFFFD (0 to 65,533 liters). When the property value of the actual device is higher than the upper bound of the value range, 0xFFFF (overflow code) shall be used. When the property value of the actual device is lower than the lower bound of the value range, 0xFFFFE (underflow code) shall be used.

3. 3. 17 Requirements for storage battery class

Class group code : 0x02

Class code : 0x7D

Instance code : 0x01–0x7F (0x00: All-instance specification code)

Property name	EPC	Contents of property	Data type	Data size	Unit	Access rule	Mandatory	Announcement at status change	Remark
		Value range (decimal notation)							
Operation status	0x80	This property indicates the ON/OFF status. ON = 0x30, OFF = 0x31	unsigned char	1 byte		Set Get	 ○	○	
Identification number	0x83	A number that allows each object to be uniquely identified. First byte: lower-layer communication ID field 0x01 to 0xFD: This is a communication protocol used in the lower-layer communication and is set arbitrarily according to the protocol class in the case where unique number is assigned (not used in ECHONET Lite). 0x11 to 0x1F: Power line Communication Protocol a and d systems 0x31 to 0x3F: Low-Power Radio Communication Protocol 0x41 to 0x4F: Extended HBS 0x51 to 0x5F: IrDA 0x61 to 0x6F: LonTalk 0x71 to 0x7F: Bluetooth 0x81 to 0x8F: Ethernet 0x91 to 0x9F: IEEE802.11/11b 0xA1: Power line Communication Protocol c systems 0xB1: IPv6/Ethernet 0xB2: IPv6/6LoWPAN 0xFE: 2 to 17 bytes are defined by the manufacturer, and are set according to the type. 0xFF: 2 to 9 bytes are defined when randomly generated protocol is used in the lower-layer communication. 0x00: Identification number is not set. Second and succeeding bytes: unique number field	unsigned char	9 or 17	—	Get	○		
Current time setting	0x97	Current time (HH: MM format) 0x00 to 0x17 : 0x00 to 0x3B (=0 to 23) : (=0 to 59)	unsigned char×2	unsigned char×2		Set/Get	○		
Current date setting	0x98	Current date (YYYY: MM: DD format) 1 to 0x270F : 1 to 0x0C : 1 to 0x1F (=1 to 9999) : (=1 to 12) : (=1 to 31)	unsigned char×4	unsigned char×4		Set/Get	○		

AC effective capacity (charging)	0xA0	This property indicates the electric energy that can be charged from an empty storage battery (AC)	unsigned long	4 bytes	Wh	Get	○		*1
		0x00000000 to 0x3B9AC9FF (0 to 999,999,999Wh)							
AC effective capacity (discharging)	0xA1	This property indicates the electric energy that can be discharged from a fully-charged storage battery (AC)	unsigned long	4 bytes	Wh	Get	○		*1
		0x00000000 to 0x3B9AC9FF (0 to 999,999,999Wh)							
AC chargeable capacity	0xA2	This property indicates the electric energy that can be charged during a normal time (AC)	unsigned long	4 bytes	Wh	Get	○		
		0x00000000 to 0x3B9AC9FF (0 to 999,999,999Wh)							
AC dischargeable capacity	0xA3	This property indicates the electric energy that can be discharged during a normal time (AC)	unsigned long	4 bytes	Wh	Get	○		
		0x00000000 to 0x3B9AC9FF (0 to 999,999,999Wh)							
AC chargeable electric energy	0xA4	This property indicates the electric energy that can be charged at the present point in time (AC)	unsigned long	4 bytes	Wh	Get	○		
		0x00000000 to 0x3B9AC9FF (0 to 999,999,999Wh)							
AC dischargeable electric energy	0xA5	This property indicates the electric energy that can be discharged at the present point in time (AC)	unsigned long	4 bytes	Wh	Get	○		
		0x00000000 to 0x3B9AC9FF (0 to 999,999,999Wh)							
AC charge upper limit setting	0xA6	This property sets the upper limit value for charging in relation to chargeable capacity in % (AC)	unsigned char	1 byte	%	Set/Get			
		0x00 to 0x64 (0 to 100%)							
AC discharge lower limit setting	0xA7	This property sets the lower limit value for discharging in relation to dischargeable capacity in % (AC)	unsigned char	1 byte	%	Set/Get			
		0x00 to 0x64 (0 to 100%)							
AC measured cumulative charging electric energy	0xA8	This property indicates the cumulative charging electric energy (AC) in 0.001kW	unsigned long	4 bytes	0.001 kWh	Get	○		
		0x00000000 to 0x3B9AC9FF (0 to 999,999.999kWh)							
AC measured cumulative discharging electric energy	0xA9	This property indicates the cumulative discharging electric energy (AC) in 0.001kWh	unsigned long	4 bytes	0.001 kWh	Get	○		
		0x00000000 to 0x3B9AC9FF (0 to 999,999.999kWh)							
AC charge amount setting value	0xAA	This property indicates the electric energy for charging (AC) in Wh	unsigned long	4 bytes	Wh	Set/Get	○	○	
		0x00000000: Not set 0x00000001 to 0x3B9AC9FF (1 to 999,999,999Wh)							
AC discharge amount setting value	0xAB	This property indicates the electric energy for discharging (AC) in Wh	unsigned	4 bytes	Wh	Set/Get	○	○	

		0x00000000: Not set 0x00000001 to 0x3B9AC9FF (1 to 999,999,999Wh)	long						
Minimum/maximum charging electric power	0xC8	This property indicates the minimum/maximum electric power for charging in watts (AC).	unsigned long × 2	8 bytes	W	Get	○		
		0x00000000 to 0x3B9AC9FF (0 to 999,999,999W) Minimum : maximum							
Minimum/maximum discharging electric power	0xC9	This property indicates the minimum/maximum electric power for discharging in watts (AC).	unsigned long × 2	8 bytes	W	Get	○		
		0x00000000 to 0x3B9AC9FF (0 to 999,999,999W) Minimum : maximum							
Minimum/maximum charging current	0xCA	This property indicates the minimum/maximum current for charging in units of 0.1A (AC).	unsigned short × 2	4 bytes	0.1A	Get			
		0x0000 to 0x7FFE (0 to 3,276.6A) Minimum : maximum							
Minimum/maximum discharging current	0xCB	This property indicates the minimum/maximum current for discharging in units of 0.1A (AC).	unsigned short × 2	4 bytes	0.1A	Get			
		0x0000 to 0x7FFE (0 to 3,276.6A) Minimum : maximum							
Re-interconnection permission setting	0xCC	This property sets permission and prohibition for interconnection to system. Permitted = 0x41, Prohibited = 0x42	unsigned char	1 byte	—	Set/Get			
Operation permission setting	0xCD	This property sets permission and prohibition for storage battery operation. Permitted = 0x41, Prohibited = 0x42	unsigned char	1 byte	—	Set/Get			
Independent operation permission setting	0xCE	This property sets permission and prohibition for independent operation of the storage battery. Permitted = 0x41, Prohibited = 0x42	unsigned char	1 byte	—	Set/Get			
Working operation status	0xCF	This property indicates the working operation status. The operation action statuses of charging status, discharging status and standby status are required. Rapid charging = 0x41, Charging = 0x42, Discharging = 0x43, Standby = 0x44, Test = 0x45, Automatic = 0x46, Restart = 0x48, Effective capacity recalculation processing = 0x49, Other = 0x40	unsigned char	1 byte	—	Get	○ *6	○	
AC rated electric energy	0xC7	This property indicates the rated electric energy of the storage battery in Wh (AC). 0x00000000 to 0x3B9AC9FF (0 to 999,999,999Wh)	unsigned long	4 bytes	Wh	Get			
Rated electric energy	0xD0	This property indicates the rated electric energy of the battery in Wh (DC). 0x00000000 to 0x3B9AC9FF (0 to 999,999,999Wh)	unsigned long	4 bytes	Wh	Get			

Rated capacity	0xD1	This property indicates the rated charging capacity of the battery in units of 0.1Ah (DC).	unsigned short	2 bytes	0.1Ah	Get			
		0x0000 to 0x7FFE (0 to 3,276.6Ah)							
Rated voltage	0xD2	This property indicates the rated voltage of the battery in volts (DC).	unsigned short	2 bytes	V	Get			
		0x0000 to 0x7FFE (0 to 32,766V)							
Measured instantaneous charging/discharging electric power	0xD3	This property indicates the measured instantaneous charging/discharging electric power in watts (AC) (positive/negative).	signed long	4 bytes	W	Get			
		0x00000001 to 0x3B9AC9FF (1 to 999,999,999W): during charging (positive value), 0xFFFFFFFF to 0xC4653601 (-1 to -999,999,999W): during discharging (negative value)							
Measured instantaneous charging/discharging current	0xD4	This property indicates the measured instantaneous charging/discharging current in units of 0.1A (AC) (positive/negative).	signed short	2 bytes	0.1A	Get			
		0x0001 to 0x7FFE (0.1 to 3,276.6A): during charging (positive value), 0xFFFF to 0x8001 (-0.1 to -3,276.7A): during discharging (negative value)							
Measured instantaneous charging/discharging voltage	0xD5	This property indicates the measured instantaneous charging/discharging voltage in volts (AC) (positive/negative).	signed short	2 bytes	V	Get			
		0x0001 to 0x7FFE (1 to 32,766V): during charging (positive value), 0xFFFF to 0x8001 (-1 to -32,767V): during discharging (negative value)							
Measured cumulative discharging electric energy	0xD6	This property indicates the measured cumulative discharging electric energy in units of 0.001kWh.	unsigned long	4 bytes	0.001 kWh	Get			
		0x00000000 to 0x3B9AC9FF (0 to 999,999.999kWh)							
"Measured cumulative discharging electric energy" reset setting	0xD7	Resets "Measured cumulative discharging electric energy" to zero.	unsigned char	1 byte	—	Set			
		Reset = 0x00							
Measured cumulative charging electric energy	0xD8	This property indicates the measured cumulative charging electric energy in units of 0.001kWh.	unsigned long	4 bytes	0.001 kWh	Get			
		0x00000000 to 0x3B9AC9FF (0 to 999,999.999kWh)							
"Measured cumulative charging electric energy" reset setting	0xD9	Resets "Measured cumulative charging electric energy" to zero.	unsigned char	1 byte	—	Set			
		Reset = 0x00							
Operation mode setting	0xDA	Sets the battery to one of the following operation modes: "Rapid charging," "Charging," "Discharging," "Standby," "Test," "Auto" or "Others." The operation modes of charging, discharging and standby are required.	unsigned char	1 byte	—	Set/Get	○	○	*6

		Rapid charging = 0x41, Charging = 0x42, Discharging = 0x43, Standby = 0x44, Test = 0x45, Auto = 0x46, Restart=0x48, Effective capacity recalculation processing = 0x49, Others = 0x40							
System-interconnected type	0xDB	This property indicates the status of connection with the current system (system interconnection status). System interconnection (reverse power flow acceptable) = 0x00, Independent type = 0x01, System-interconnected type (reverse power flow not acceptable) = 0x02	unsigned char	1 byte	—	Get	○		
Minimum/maximum charging electric power (Independent)	0xDC	This property indicates the minimum and maximum values of charging power battery in watts (AC) in the dependent status. 0x00000000 to 0x3B9AC9FF (0 to 999,999,999W) Minimum charging power: Maximum charging power	unsigned long × 2	8 bytes	W	Get			
Minimum/maximum discharging electric power (Independent)	0xDD	This property indicates the minimum and maximum values of discharging power from the battery in the independent status in watts (AC). 0x00000000 to 0x3B9AC9FF (0 to 999,999,999W) Minimum discharging power: Maximum discharging power	unsigned long × 2	8 bytes	W	Get			
Minimum/maximum charging current (Independent)	0xDE	This property indicates the minimum and maximum values of a charging current to the battery in the independent status in units of 0.1A (AC). 0x0000 to 0x7FFE (0 to 3,276.6A) Minimum charging current: Maximum charging current	unsigned short × 2	4 bytes	0.1A	Get			
Minimum/maximum discharging current (Independent)	0xDF	This property indicates the minimum and maximum values of a discharging current in the independent status in units of 0.1A (AC). 0x0000 to 0x7FFE (0 to 3,276.6A) Minimum discharging current: Maximum discharging current	unsigned short × 2	4 bytes	0.1A	Get			
Charging/discharging amount setting 1	0xE0	Used to specify the charging/discharging electric energy in Wh (DC) (positive/negative). 0x00000001 to 0x3B9AC9FF (1 to 999,999,999Wh): during charging (positive value), 0xFFFFFFFF to 0xC4653601 (-1 to -999,999,999Wh): during discharging (negative value)	signed long	4 bytes	Wh	Set/Get			*3
Charging/discharging amount setting 2	0xE1	Used to specify the charging/discharging capacity in units of 0.1Ah (DC) (positive/negative). 0x0001 to 0x7FFD (0.1 to 3,276.6Ah): during charging (positive value), 0xFFFF to 0x8001 (-0.1 to -3,276.7Ah): during discharging (negative value)	signed short	2 bytes	0.1Ah	Set/Get			*3

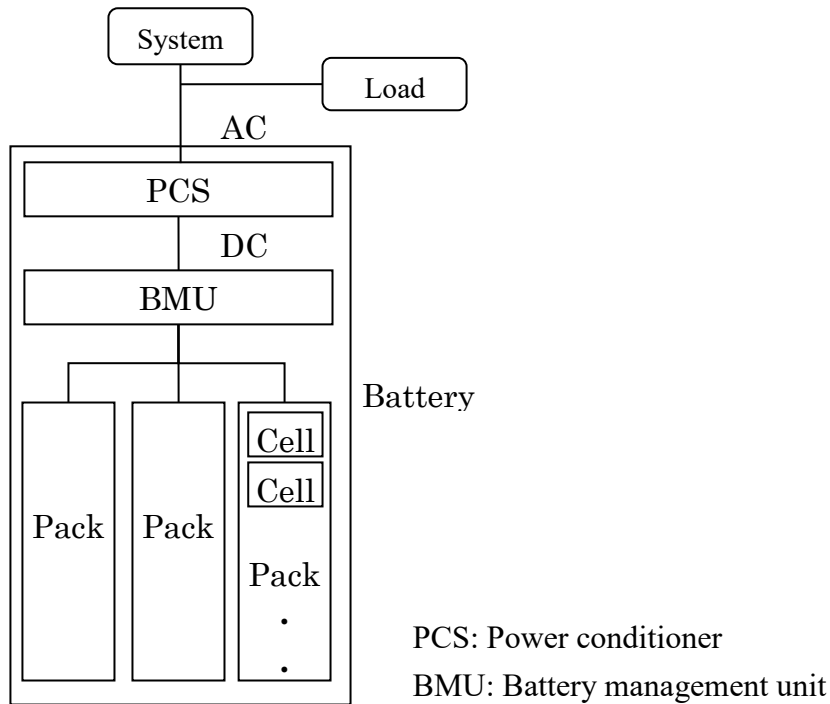
Remaining stored electricity 1	0xE2	This property indicates the remaining stored electric energy in Wh (DC).	unsigned long	4 bytes	Wh	Get	○		*2
		0x00000000 to 0x3B9AC9FF (0 to 999,999,999Wh)							
Remaining stored electricity 2	0xE3	This property indicates the remaining capacity in units of 0.1Ah (DC).	unsigned short	2 bytes	0.1Ah	Get	○		*2
		0x0000 to 0x7FFE (0 to 3,276.6Ah)							
Remaining stored electricity 3	0xE4	This property indicates the charging rate of the battery in %.	unsigned char	1 byte	%	Get	○		*2
		0x00 to 0x64 (0 to 100%)							
Battery state of health	0xE5	This property indicates the battery state of health in %.	unsigned char	1 byte	%	Get			
		0x00 to 0x64 (0 to 100%)							
Battery type	0xE6	This property indicates the battery type.	unsigned char	1 byte		Get	○		
		Type = 0x00 to 0xFF							
Charging amount setting 1	0xE7	This property specifies the charging electric energy in Wh (DC).	unsigned long	4 bytes	Wh	Set/Get			*4
		0x00000000 to 0x3B9AC9FF (0 to 999,999,999Wh)							
Discharging amount setting 1	0xE8	This property specifies the discharging electric energy in Wh (DC).	unsigned long	4 bytes	Wh	Set/Get			*5
		0x00000000 to 0x3B9AC9FF (0 to 999,999,999Wh)							
Charging amount setting 2	0xE9	This property specifies the charging capacity in units of 0.1Ah (DC).	unsigned short	2 bytes	0.1Ah	Set/Get			*4
		0x0000 to 0x7FFE (0 to 3,276.6Ah)							
Discharging amount setting 2	0xEA	This property specifies the discharging capacity in units of 0.1Ah (DC).	unsigned short	2 bytes	0.1Ah	Set/Get			*5
		0x0000 to 0x7FFE (0 to 3,276.6Ah)							
Charging electric power setting	0xEB	This property specifies the charging electric power in watts (AC).	unsigned long	4 bytes	W	Set/Get			
		0x00000000 to 0x3B9AC9FF (0 to 999,999,999Wh)							
Discharging electric power setting	0xEC	This property specifies the discharging electric power in watts (AC).	unsigned long	4 bytes	W	Set/Get			
		0x00000000 to 0x3B9AC9FF (0 to 999,999,999Wh)							
Charging current setting	0xED	This property specifies the charging current in units of 0.1A (AC).	unsigned short	2 bytes	0.1A	Set/Get			
		0x0000 to 0xFFFD (0 to 6,553.3A)							
Discharging current setting	0xEE	This property specifies the discharging current in units of 0.1A (AC).	unsigned short	2 bytes	0.1A	Set/Get			
		0x0000 to 0xFFFD (0 to 6,553.3A)							
Rated voltage (Independent)	0xEF	This property indicates the rated voltage of a battery in the independent status in volts (AC).	unsigned short	2 bytes	V	Get			
		0x0000 to 0x7FFE (0 to 32,766V)							

Note: In the “Announcement at status change” column, ○ denotes mandatory processing

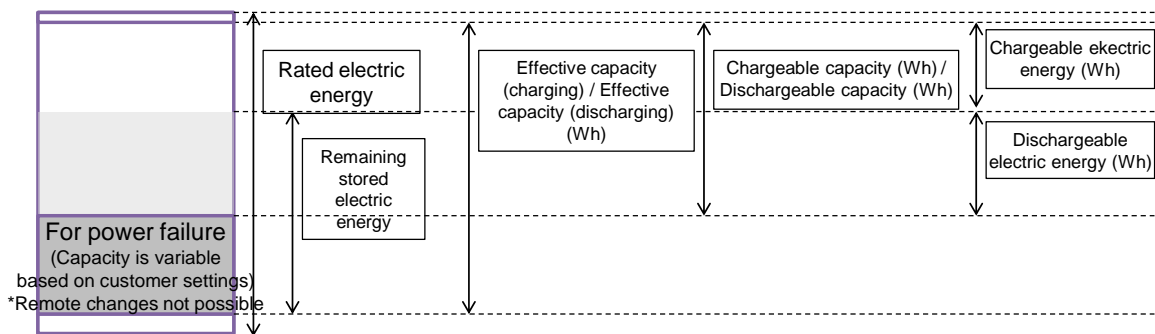
when the property is implemented.

- *1: The definition of effective capacity is effective capacity as of the present point in time. Calculation of effective capacity has not been standardized as of the point in time of creation of these specifications due to differences in calculation specifications for each device. It is recommended that users of this property obtain information separately for each device.
- *2: It is mandatory to install Remaining stored electricity 1, Remaining stored electricity 2, or Remaining stored electricity 3.
- *3: When Charging/discharging amount setting 1 (or 2) is used, Charging/discharging amount setting 2 (or 1), Charging amount setting 1, Discharging amount setting 1, Charging amount setting 2 and Discharging amount setting 2 shall not be used.
- *4: When Charging amount setting 1 (or 2) is used, Charging amount setting 2 (or 1) and Charging/discharging amount setting 1 and 2 shall not be used.
- *5: When Discharging amount setting 1 (or 2) is used, Discharging amount setting 2 (or 1) and Charging/discharging amount setting 1 and 2 shall not be used.
- *6: Among the property contents, incorporation of the operation modes of Charging, Discharging and Standby are required.

In this class, electric current, voltage, and energy values shall be those of AC. The figure below shows an example configuration.



A relational image of various properties related to electric energy that are handled in this class is shown below. The actual chargeable/dischargeable amounts, upper limit for dischargeable amount, and lower limit for dischargeable amount (areas used) are based on specifications for the storage battery.



To be exact, there are cases where the values for chargeable capacity and dischargeable capacity differ. There are also cases where effective capacity differs for charging and discharging.

(1) Operation status (a property inherited from the device object super class)

This property indicates whether the functions specific to this class are operating (ON) or not (OFF). In the case of a node in which this class is implemented and the functions specific to this class start operating upon startup of the node, this property may be implemented with the value fixed at 0x30 (operation status ON).

(2) Identification number (a property inherited from the device object super class)

Definitions in ECHONET and ECHONET Lite are as follows. This property is required for the storage battery class.

- ECHONET definition

This property indicates a number that allows each node to be uniquely identified in the domain. The property indicates a lower-layer communication software ID field which stores IDs defined for each lower-layer communication software class and a unique number field that stores a unique identification number that is assigned to each product using a specified method for each lower-layer communication software program. The definition of this unique number is given in the specifications for lower-layer communication software programs in Part III. (However, Version3.00 and later versions of the ECHONET Specifications define this unique number for IP/Bluetooth-dependent lower-layer communication software and IP/Ethernet/IEEE802.3dependent lower-layer communication software.)

This unique number indicates the hardware address. If the hardware address is less than 8bytes, it shall be stored in the unique number field from the highest-order byte and the remaining bytes shall be padded with 0.

Each ECHONET node must have at least one device object, but the node identification number property value must be the same as the value of the node identification number property held by the device object.

- ECHONET Lite definition

This property indicates a number that allows each device object to be uniquely identified in the domain. As ECHONET Lite does not define lower-layer communication protocol classes, it only considers 0xFE, 0xFF, and 0x00 as protocol classes of lower-layer communication.

Manufacturer's specific code (0xFE) consists of a manufacturer code field to store the code of each manufacturer and a field defined by each manufacturer. The first to third bytes indicate a 3-byte manufacturer code specified by the ECHONET Consortium. Byte 4 and later stores the unique ID of each vendor. Each vendor shall ensure that the codes will not overlap.

Manufacturer code (3Byte)	Unique ID field (unique identification number specified by the manufacturer) (13Byte)
---------------------------------	---

(3) Current time setting

This property indicates the current local time using a value between 0x00 and 0x17 (0 and 23) for the hour and a value between 0x00 and 0x3B (0 and 59) for the minute. The first byte of the property value indicates the hour and the second byte indicates the minute. Only Get is required for this class.

(4) Current date setting

This property indicates the current date using a value between 0x0001 and 0x270F (1 and 9999) for the year, a value between 0x01 and 0x0C (1 and 12) for the month and a value between 0x01 and 0x1F (1 and 31) for the day. The first and second bytes are treated as one piece of unsigned short data which indicates the year (2 bytes). The third byte indicates the month (1 byte) and the fourth byte indicates the day (1 byte). Only Get is required for this class.

(5) AC effective capacity (charging)

This property expresses the electric energy that can be charged to an empty storage battery in units of Wh. The effective capacity indicated in this property is the AC value. The property value range is 0x00000000 to 0x3B9AC9FF (0 to 999,999,999Wh). With regard to the relationship between the effective capacity defined in this property and other properties related to electric energy, such as rated electric energy, etc., refer to the diagram above. The effective capacity may change due to degradation over time. The method for calculating effective capacity of a storage battery and the timing at which to perform recalculations are not specified in these specifications.

(6) AC effective capacity (discharging)

This property expresses the dischargeable electric energy from a storage battery in a state where it is fully charged in units of Wh. The effective capacity indicated in this property is the AC value. The property value range is 0x00000000 to 0x3B9AC9FF (0 to 999,999,999Wh). With regard to the relationship between the effective capacity defined in this property and other properties related to electric energy, such as rated electric energy, etc., refer to the diagram above. The effective capacity may change due

to degradation over time. The method for calculating effective capacity of a storage battery and the timing at which to perform recalculations are not specified in these specifications.

(7) AC chargeable capacity

This property indicates the capacity that can be used normally for charging, from among effective capacity, when excluding capacity other than what is normally accumulated in preparation for power failure. The chargeable capacity indicated in this property is the AC value. With regard to the relationship between the chargeable capacity defined in this property and other properties related to electric energy, such as rated electric energy, etc., refer to the diagram above. The chargeable capacity may change due to degradation over time. The method for calculating chargeable capacity of a storage battery and the timing at which to perform recalculations are not specified in these specifications.

(8) AC dischargeable capacity

This property indicates the capacity that can be used normally for discharging, from among effective capacity, when excluding capacity other than what is normally accumulated in preparation for power failure. The dischargeable capacity indicated in this property is the AC value. With regard to the relationship between the dischargeable capacity defined in this property and other properties related to electric energy, such as rated electric energy, etc., refer to the diagram above. The dischargeable capacity may change due to degradation over time. The method for calculating dischargeable capacity of a storage battery and the timing at which to perform recalculations are not specified in these specifications.

(9) AC chargeable electric energy

This property indicates the electric energy that is actually chargeable. The chargeable electric energy indicated in this property is the AC value. With regard to the relationship between the chargeable electric energy defined in this property and other properties related to electric energy, such as rated energy, etc., refer to the diagram above.

(10) AC dischargeable electric energy

This property indicates the electric energy that is actually dischargeable. The dischargeable electric energy indicated in this property is the AC value. With regard to

the relationship between the dischargeable electric energy defined in this property and other properties related to electric energy, such as rated energy, etc. refer to the diagram above.

(11) AC charge upper limit setting

This property sets the upper limit for the charge amount, from among the chargeable capacity. If the entire chargeable capacity is to be charged, the value for this property shall be set to 100.

(12) AC discharge lower limit setting

This property sets the lower limit for the discharge amount, from among the dischargeable capacity. If the entire dischargeable capacity is to be discharged, the value for this property shall be set to 0.

(13) AC measured cumulative charging electric energy

This property indicates the cumulative amount of electric energy when charging in units of 0.001kWh. The property value range is 0x00000000 to 0x3B9AC9FF (0 to 999,999.999kWh). When the cumulative amounts of electric energy overflows, the property value shall be incremented again from 0x00000000. The cumulative amount of charging electric energy indicated in this property is the AC value.

(14) AC measured cumulative discharging electric energy

This property indicates the cumulative amount of electric energy when discharging in units of 0.001kWh. The property value range is 0x00000000 to 0x3B9AC9FF (0 to 999,999.999kWh). When the cumulative amounts of electric energy overflows, the property value shall be incremented again from 0x00000000. The cumulative amount of discharging electric energy indicated in this property is the AC value.

(15) AC charge amount setting value

This property designates the amount of electric energy charged in units of Wh (take note that this property does not designate the residual quantity of a storage battery after charging). When the operation mode is set to Charging, this setting value is reflected in discharging operation without having to set the operation mode again; when the operation mode is set to something other than Charging, this setting value is reflected in Charging operation when the operation mode is set to Charging. The property value range when the charging amount is set is 0x00000001 to 0x3B9AC9FF (1 to 999,999,999Wh). The

property value is 0x00000000 when there is no value set, and the charge amount during charging is determined by the storage battery itself. During charging operation based on this setting value, there is no change in the value based on the charging energy (there is no successive change corresponding to actual performance of charging energy). Since there are cases where status change announcements are not made if the same value is set, it is recommended that the same value not be set for this setting value. When charging operation based on this setting value is completed, the operating status of the storage battery becomes “Standby”, and this setting value becomes 0. However, the value of the operation mode setting does not change. There are also cases where charging ends without the electric energy set for this setting value being charged. If charging until the AC chargeable amount becomes 0, specify a value greater than the AC chargeable capacity for this setting value. The charging amount indicated in this property is the AC value.

(16) AC discharge amount setting value

This property designates the amount of electric energy discharged in units of Wh (take note that this property does not designate the residual quantity of a storage battery after discharging). When the operation mode is set to Discharging, this setting value is reflected in discharging operation without having to set the operation mode again; when the operation mode is set to something other than Discharging, this setting value is reflected in discharging operation when the operation mode is set to Discharging. The property value range when the discharging amount is set is 0x00000001 to 0x3B9AC9FF (1 to 999,999,999Wh). The property value is 0x00000000 when there is no value set, and the discharge amount during discharging is determined by the storage battery itself. During discharging operation based on this setting value, there is no change in the value based on the discharging energy (there is no successive change corresponding to actual performance of discharging energy). Since there are cases where status change announcements are not made if the same value is set, it is recommended that the same value not be set for this setting value. When discharging operation based on this setting value is completed, the operating status of the storage battery becomes “Standby”, and this setting value becomes 0. However, the value of the operation mode setting does not change. There are also cases where discharging ends without the electric energy set for this setting value being discharged. If discharging until the AC dischargeable amount becomes 0, specify a value greater than the AC dischargeable capacity for this setting value. The discharging amount indicated in this property is the AC value.

(17) Minimum/maximum charging electric power

This property indicates the minimum/maximum electric power for charging in watts when the system-interconnected status is system-interconnected (reverse power flow acceptable) or system-interconnected (reverse power flow not acceptable). The property value range is 0x00000000 to 0x3B9AC9FF (0 to 999,999,999W) and the property value shall be derived from the high-order bytes in order of minimum and maximum. When the property value of the actual device is higher than the upper limit of the value range, 0xFFFFFFFF (overflow code) shall be used. If the charging function is not supported, the value shall be 0. When the “Minimum/maximum charging power (independent)” property (EPC = 0xDC) is not used, the value of this property may also be used as the value in the independent status.

(18) Minimum/maximum discharging electric power

This property indicates the minimum/maximum electric power for discharging in watts when the system-interconnected status is system-interconnected (reverse power flow acceptable) or system-interconnected (reverse power flow not acceptable). The value range of the property shall be from 0x00000000 to 0x3B9AC9FF (0 to 999,999,999W) and the property value shall be derived from the high-order bytes in order of minimum and maximum. When the property value of the actual device is higher than the upper limit of the value range, 0xFFFFFFFF (overflow code) shall be used. If the discharging function is not supported, the value shall be 0. When the “Minimum/maximum discharging power (independent)” property (EPC = 0xDD) is not used, the value of this property may also be used as the value in the independent status.

(19) Minimum/maximum charging current

This property indicates the minimum/maximum current for charging in units of 0.1A when the system-interconnected status is system-interconnected (reverse power flow acceptable) or system-interconnected (reverse power flow not acceptable). The property value range is 0x0000 to 0x7FFE (0 to 3,276.6A) and the property value shall be derived from the high-order bytes in order of minimum and maximum. When the property value of the actual device is higher than the upper limit of the value range, 0xFFFF (overflow code) shall be used. If the charging function is not supported, the value shall be 0. When the “Minimum/maximum charging current (independent)” property (EPC = 0xDE) is not used, the value of this property may also be used as the value in the independent status.

(20) Minimum/maximum discharging current

This property indicates the minimum/maximum current for discharging in units of 0.1A when the system-interconnected status is system-interconnected (reverse power

flow acceptable) or system-interconnected (reverse power flow not acceptable). The property value range is from 0x0000 to 0x7FFE (0 to 3,276.6A) and the property value shall be derived from the high-order bytes in order of minimum and maximum. When the property value of the actual device is higher than the upper limit of the value range, 0xFFFF (overflow code) shall be used. If the discharging function is not supported, the value shall be 0. When the “Minimum/maximum discharging current (independent)” property (EPC = 0xDF) is not used, the value of this property may also be used as the value in the independent status.

(21) Re-interconnection permission setting

After system splitting of a storage battery due to power failure, there are cases where prior consultation with the power company is necessary regarding system interconnection (re-interconnection) after restoration of power. If system interconnection after restoration of power is not possible automatically, set the value for this property to (0x42) at the point in time when a splitting system occurs in the storage battery due to power failure, etc., and wait to receive a write request for re-interconnection permission (0x41) after restoration of power.

(22) Operation permission setting

In a case where a condition such that the storage battery must not be operated arises due to some kind of requirement (contract, connection to a system, etc.), this property makes the storage battery function disabled (Prohibited = 0x42). In cases where the condition is such that operation as a storage battery is acceptable, set the value for this property to 0x41 (Permitted).

(23) Independent operation permission setting

This property sets permission (0x41) or prohibition (0x42) for independent operation of the storage battery when there is power failure due to disaster, etc.

(24) Working operation status

This property indicates the storage battery working operation status as Rapid charging (0x41), Charging (0x42), Discharging (0x43), Standby (0x44), Test (0x45), Automatic (0x46), Restart (0x48), Effective capacity recalculation processing (0x49), or Other (0x40). The Charging, Discharging, and Standby operation status are mandatory.

(25) AC rated electric energy

This property indicates the rated electric energy in Wh. The property value range is

0x00000000 to 0x3B9AC9FF (0 to 999,999,999Wh). The rated electric energy indicated in this property is the DC value.

(26) Rated electric energy

This property indicates the rated electric energy (catalog value) in Wh. The property value range is 0x00000000 to 0x3B9AC9FF (0 to 999,999,999Wh). The rated electric energy indicated in this property is the DC value.

(27) Rated capacity

This property indicates the rated capacity (catalog value) in increments of 0.1Ah. The property value range is 0x0000 to 0x7FFE (0 to 3,276.6Ah). Note that the capacity usable as a system may be smaller than the rated capacity, depending on the life of the battery, the provision of emergency backup, and other factors.

(28) Rated voltage

This property indicates the rated voltage (catalog value) in volts when the system-interconnected status is system-interconnected (reverse power flow acceptable) or system-interconnected (reverse power flow not acceptable). The property value range is 0x0000 to 0x7FFE (0 to 32,766V). When the “Rated voltage (independent)” property (EPC = 0xEF) is not used, the value of this property may also be used as the value in the independent status.

(29) Measured instantaneous charging/discharging electric power

This property indicates the measured instantaneous charging/discharging electric power in watts. The property value range is 0x00000001 to 0x3B9AC9FF (1 to 999,999,999W) for charging and 0xFFFFFFFF to 0xC4653601 (-1 to -999,999,999W) for discharging. When the property value of the actual device is higher than the upper limit of the value range, 0x7FFFFFFF (overflow code) shall be used. When the property value of the actual device is lower than the lower limit of the value range, 0x80000000 (underflow code) shall be used. When neither charging nor discharging is being performed, the property value shall be 0.

(30) Measured instantaneous charging/discharging current

This property indicates the measured instantaneous charging/discharging current in units of 0.1A. The property value range is 0x0001 to 0x7FFE (0.1 to 3,276.6A) for charging and 0xFFFF to 0x8001 (-0.1 to -3,276.7A) for discharging. When the property value of the actual device is higher than the upper limit of the value range, 0x7FFF (overflow code) shall be used. When the property value of the actual device is lower than the lower limit of the value range, 0x8000 (underflow code) shall be used.

When neither charging nor discharging is being performed, the property value shall be 0.

(31) Measured instantaneous charging/discharging voltage

This property indicates the measured instantaneous charging/discharging voltage in volts. The property value range is 0x0001 to 0x7FFE (1 to 32,766V) for charging and 0xFFFF to 0x8001 (-1 to -32,767V) for discharging. When the property value of the actual device is higher than the upper limit of the value range, 0x7FFF (overflow code) shall be used. When the property value of the actual device is lower than the lower limit of the value range, 0x8000 (underflow code) shall be used. When neither charging nor discharging is being performed, the property value shall be 0.

(32) Measured cumulative discharging electric energy

This property indicates the measured cumulative discharging electric energy in units of 0.001kWh. The property value range is 0x00000000 to 0x3B9AC9FF (0 to 999,999.999kWh). In the event of a cumulative discharging electric energy overflow, the counting of the cumulative discharging electric energy shall be restarted from 0x00000000. The DC value is recommended for the measured cumulative discharging electric energy value indicated in this property. It is necessary to take note of this, as existence of implementation of values in AC have been confirmed.

(33) “Measured cumulative discharging electric energy” resetting

This property resets “Measured cumulative discharging electric energy” to zero by setting 0x00.

(34) Measured cumulative charging electric energy

This property indicates the measured cumulative charging electric energy in units of 0.001kWh. The property value range is 0x00000000 to 0x3B9AC9FF (0 to 999,999.999kWh). In the event of a cumulative charging electric energy overflow, the counting of the cumulative charging electric energy shall be restarted from 0x00000000. The DC value is recommended for the measured cumulative charging electric energy value indicated in this property. It is necessary to take note of this, as existence of implementation of values in AC have been confirmed.

(35) “Measured cumulative charging electric energy” resetting

This property resets “Measured cumulative charging electric energy” to zero by setting 0x00.

(36) Operation mode setting

This property indicates the operation mode. The property value shall be 0x41 (Rapid charging), 0x42 (Charging), 0x43 (Discharging), 0x44 (Standby), 0x45 (Test), 0x46 (Auto), Restart (0x48), Effective capacity recalculation processing (0x49), or 0x40 (Others). “Auto” is the mode where the storage battery is assumed to operate autonomously. The various operating modes (charging, discharging, and standby) are mandatory. Depending on the system status, it may not always be possible to operate according to the operating mode setting. The actual status of storage battery charging or discharging, etc., is indicated by the working operation status. Even when operation according to the operating mode setting is not possible, it is recommended that the operating mode setting be kept.

(37) System-interconnected type

This property indicates the status of interconnection with the current system (system-interconnected type).

System interconnection (reverse power flow acceptable) = 0x00, Independent type = 0x01, System interconnection (reverse power flow not acceptable) = 0x02

(38) Minimum/maximum charging electric power (Independent)

This property indicates the minimum and maximum values of charging electric power in watts when the system-interconnected type is independent. The range of each value is 0x00000000 to 0x3B9AC9FF (0 to 999,999,999W). From the higher-order bytes, the property value shall be in order of minimum and maximum values. When the property value of the actual device is higher than the value range of this property, the overflow code 0xFFFFFFFF shall be used. If no charging function is supported, the value shall be 0. When this property is not used, the “Minimum/maximum charging power (independent)” property (EPC = 0xC8) may be used.

(39) Minimum/maximum discharging electric power (Independent)

This property indicates the minimum and maximum values of charging electric power in watts when the system-interconnected type is independent. The range of each value is 0x00000000 to 0x3B9AC9FF (0 to 999,999,999W). From the higher-order bytes, the property value shall be in order of minimum and maximum values. When the property value of the actual device is higher than the value range of this property, the overflow code 0xFFFFFFFF shall be used. If no discharging function is supported, the value shall be 0. When this property is not used, the “Minimum/maximum discharging power (independent)” property (EPC = 0xC9) may be used.

(40) Minimum/maximum charging current (Independent)

This property indicates the minimum and maximum values of charging current in units of 0.1A when the system-interconnected type is independent. The range of each value is 0x0000 to 0x7FFE (0 to 3,276.6A). From the higher-order bytes, the property value shall be in order of minimum and maximum values. When the property value of the actual device is higher than the value range of this property, the overflow code 0xFFFF shall be used. If no charging function is supported, the value shall be 0. When this property is not used, the “Minimum/maximum charging current (independent)” property (EPC = 0xCA) may be used.

(41) Minimum/maximum discharging current (Independent)

This property indicates the minimum and maximum values of discharging current in units of 0.1A when the system-interconnected type is independent. The range of each value is 0x0000 to 0x7FFE (0 to 3,276.6A). From the higher-order bytes, the property value shall be in order of minimum and maximum values. When the property value of the actual device is higher than the value range of this property, the overflow code 0xFFFF shall be used. If no discharging function is supported, the value shall be 0. When this property is not used, the “Minimum/maximum discharge current (independent)” property (EPC = 0xCB) may be used.

(42) Charging/discharging amount setting 1

Specifies the charging/discharging electric energy in Wh (positive/negative). (Note that this property does not specify the battery level after charging or discharging.) The property value range is 0x00000001 to 0x3B9AC9FF (1 to 999,999,999Wh) for charging and 0xFFFFFFFF to 0xC4653601 (-1 to -999,999,999Wh) for discharging. The charging/discharging status will not affect the value. When charging/discharging is completed, the operation status changes to Standby (however, cases where the operation mode setting changes to “Standby” are also permitted). For complete charging, this value shall be set equal to or greater than the rated electric energy. For complete discharging, this value shall be set equal to or greater than the rated electric energy with the negative sign. The Charging/discharging amount setting 1 indicated in this property is the DC value.

(43) Charging/discharging amount setting 2

Specifies the charging/discharging capacity in units of 0.1Ah (positive/negative). (Note that this property does not specify the battery level after charging or discharging.) The property value range is 0x0001 to 0x7FFE (0.1 to 3,276.6Ah) for charging and 0xFFFF to 0x8001 (-0.1 to -3,276.7Ah) for discharging. The charging/discharging status will

not affect the value. When charging/discharging is completed, the operation mode changes to Standby (however, cases where the operation mode setting changes to “Standby” are also permitted). For complete charging, this value shall be set equal to or greater than the rated electric energy. For complete discharging, this value shall be set equal to or greater than the rated electric energy with the negative sign.

(44) Remaining stored electricity 1

This property indicates the remaining stored electric energy during discharging at the rated discharging current in Wh. The property value range is 0x00000000 to 0x3B9AC9FF (0 to 999,999,999Wh). When the remaining stored electricity in Wh is calculated from the values of other remaining stored electricity properties, if the value of this object is provided when indicating the Wh units of remaining stored electricity in terminals, etc., the provided value shall be indicated. This is to avoid situations such as a discrepancy compared to the Wh indicated for the main unit. The Remaining stored electricity 1 indicated in this property is the DC value.

(45) Remaining stored electricity 2

This property indicates the remaining capacity during discharging at the rated discharging current in units of 0.1Ah. The property value range is 0x0000 to 0x7FFE (0 to 3,276.6Ah). When the remaining stored electricity in Ah is calculated from the values of other remaining stored electricity properties, if the value of this object is provided when indicating the Ah units of remaining stored electricity in terminals, etc., the provided value shall be indicated. This is to avoid situations such as a discrepancy compared to the Ah indicated for the main unit.

(46) Remaining stored electricity 3

This property indicates the charging rate of the battery in % ((remaining stored electricity)/(full charging capacity) ×100). The property value range is 0x00 to 0x64 (0 to 100). When the remaining stored electricity in % is calculated from the values of other remaining stored electricity properties, if the value of this object is provided when indicating the % units of remaining stored electricity in terminals, etc., the provided value shall be indicated. This is to avoid situations such as a discrepancy compared to the % indicated for the main unit.

(47) Deterioration status

This property indicates the deterioration (soundness) status of the battery in %. The property value range is 0x00 to 0x64 (0 to 100).

For example: ((full charging capacity after deterioration)/(initial full charging capacity) ×100).

(48) Battery type

This property indicates the battery type. The property value shall be 0x00 (unknown), 0x01 (lead), 0x02 (nickel-metal hydride), 0x03 (nickel-cadmium), 0x04 (lithium ion), 0x05 (zinc) or 0x06 (rechargeable alkaline). The values from 0x07 to 0xFF are reserved for future use.

(49) Charging amount setting 1

This property specifies the charging electric energy in Wh. (Note that this property does not specify the battery level after charging.) The property value range is 0x00000000 to 0x3B9AC9FF (0 to 999,999,999Wh). The charging status will not affect the value. When charging is completed, the operation mode changes to Standby (however, cases where the operation mode setting changes to “Standby” are also permitted). For complete charging, this value shall be set equal to or greater than the rated electric energy. The Charging amount setting 1 indicated in this property is the DC value.

(50) Discharging amount setting 1

This property specifies the discharging electric energy in Wh. (Note that this property does not specify the battery level after discharging.) The property value range is 0x00000000 to 0x3B9AC9FF (0 to 999,999,999Wh). The discharging status will not affect the value. When discharging is completed, the operation status changes to Standby (however, cases where the operation mode setting changes to “Standby” are also permitted). For complete discharging, this value shall be set equal to or greater than the rated electric energy. The Discharging amount setting 1 indicated in this property is the DC value.

(51) Charging amount setting 2

This property specifies the charging capacity in units of 0.1Ah. (Note that this property does not specify the battery level after charging.) The property value range is 0x0000 to 0x7FFE (0 to 3,276.6Ah). The charging status will not affect the value. When charging is completed, the operation status changes to Standby (however, cases where the operation mode setting changes to “Standby” are also permitted). For complete charging, this value shall be set equal to or greater than the rated capacity.

(52) Discharging amount setting 2

This property specifies the discharging capacity in units of 0.1Ah. (Note that this property does not specify the battery level after discharging.) The property value range is 0x0000 to 0x7FFE (0 to 3,276.6Ah). The discharging status will not affect the value. When discharging is completed, the operation status changes to Standby (however, cases where the operation mode setting changes to “Standby” are also permitted). For

complete discharging, this value shall be set equal to or greater than the rated capacity.

(53) Charging electric power setting

This property specifies the charging electric energy in watts. The property value range is 0x00000000 to 0x3B9AC9FF (0 to 999,999,999W).

(54) Discharging electric power setting

This property specifies the discharging electric power in watts. The property value range is 0x00000000 to 0x3B9AC9FF (0 to 999,999,999W).

(55) Charging current setting

This property specifies the charging current in units of 0.1A. The property value range is 0x0000 to 0xFFFFD (0 to 6,553.3A).

(56) Discharging current setting

This property specifies the discharging current in units of 0.1A. The property value range is 0x0000 to 0xFFFFD (0 to 6,553.3A).

(57) Rated voltage (Independent)

This property indicates the rated voltage (catalog value) in volts when the system-interconnected type is independent. The property value range is 0x0000 to 0x7FFE (0 to 32,766V). When this property is not used, the “Rated voltage (independent)” property (EPC = 0xD2) may be used.

3. 3. 18 Requirements for electric vehicle charger/discharger class

Class group code : 0x02

Class code : 0x7E

Instance code : 0x01–0x7F (0x00: All-instance specification code)

Property name	EPC	Contents of property	Data type	Data size	Unit	Access rule	Mandatory	Announcement at status change	Remarks
		Value range (decimal notation)							
Operation status	0x80	This property indicates the ON/OFF status.	unsigned char	1 byte	—	Set		○	
		ON = 0x30, OFF = 0x31				Get			
Dischargeable capacity of vehicle mounted battery 1	0xC0	This property indicates the dischargeable capacity of a vehicle battery connected to an electric vehicle charger/discharger in Wh.	unsigned long	4 bytes	Wh	Get		○	Note 1
		0x00000000–0x3B9AC9FF (0–999,999,999Wh)							
Dischargeable capacity of vehicle mounted battery 2	0xC1	This property indicates the dischargeable capacity of a vehicle battery connected to an electric vehicle charger/discharger in units of 0.1Ah.	unsigned short	2 bytes	0.1Ah	Get			
		0x0000–0x7FFE (0–3,276.6Ah)							
Remaining dischargeable capacity of vehicle mounted battery 1	0xC2	This property indicates the remaining dischargeable capacity of a vehicle battery connected to an electric vehicle charger/discharger in Wh.	unsigned long	4 bytes	Wh	Get		○	Note 2
		0x00000000–0x3B9AC9FF (0–999,999,999Wh)							
Remaining dischargeable capacity of vehicle mounted battery 2	0xC3	This property indicates the remaining dischargeable capacity of a vehicle battery connected to an electric vehicle charger/discharger in units of 0.1Ah.	unsigned short	2 bytes	0.1Ah	Get			
		0x0000–0x7FFE (0–3,276.6Ah)							
Remaining dischargeable capacity of vehicle mounted battery 3	0xC4	This property indicates the remaining dischargeable capacity of a vehicle battery connected to an electric vehicle charger/discharger in %.	unsigned char	1 byte	%	Get		○	Note 2
		0x00–0x64 (0–100%)							
Rated charge capacity	0xC5	This property indicates the rated charge capacity of an electric vehicle charger/discharger in W.	unsigned long	4 bytes	W	Get		○	
		0x00000000–0x3B9AC9FF (0–999,999,999W)							
Rated discharge capacity	0xC6	This property indicates the rated discharge capacity of an electric vehicle charger/discharger in W.	unsigned long	4 bytes	W	Get		○	
		0x00000000–0x3B9AC9FF (0–999,999,999W)							
Vehicle connection and chargeable/discharge	0xC7	This property indicates whether an electric vehicle charger/discharger can be charged or discharged.	unsigned char	1 byte	—	Get		○	

able status		Undetermined = 0xFF Vehicle not connected = 0x30 Connected to vehicle, Not chargeable, Not dischargeable = 0x40 Connected to vehicle, Chargeable, Not dischargeable = 0x41 Connected to vehicle, Not chargeable, Dischargeable = 0x42 Connected to vehicle, Chargeable, Dischargeable = 0x43 Connected to vehicle, chargeable/dischargeable status unknown=0x44							
Minimum/maximum charging electric energy	0xC8	This property indicates the minimum and maximum values of charging electric energy to an electric vehicle charger/discharger in W. 0x00000000-0x3B9AC9FF (0-999,999,999W) Minimum charging electric energy: Maximum charging electric energy	unsigned long × 2	8 bytes	W	Get	○		
Minimum/maximum discharging electric energy	0xC9	This property indicates the minimum and maximum values of discharging electric energy from a vehicle charger/discharger in W. 0x00000000-0x3B9AC9FF (0-999,999,999W) Minimum discharging electric energy: Maximum discharging electric energy	unsigned long × 2	8 bytes	W	Get	○		
Minimum/maximum charging current	0xCA	This property indicates the minimum and maximum values of charging electric energy to an electric vehicle charger/discharger in units of 0.1A. 0x0000-0x7FFE (0-3,276.6A) Minimum charging current: Maximum charging current	unsigned short × 2	4 bytes	0.1A	Get	○		
Minimum/maximum discharging current	0xCB	This property indicates the minimum and maximum values of discharging electric energy from an electric vehicle charger/discharger in units of 0.1A. 0x0000-0x7FFE (0-3,276.6A) Minimum discharging current: Maximum discharging current	unsigned short × 2	4 bytes	0.1A	Get	○		
Charger/discharger type	0xCC	This property indicates the type of electric vehicle charger/discharger AC_CPLT = 0x11 AC_HLC (charging only) = 0x12 AC_HLC (charging/discharging possible) = 0x13 DC_type AA(charging only)=0x21 DC_type AA(charging/discharging possible)=0x22 DC_type AA(discharging only)=0x23 DC_type BB(charging only)=0x31 DC_type BB(charging/discharging possible)=0x32 DC_type BB(discharging only)=0x33 DC_type EE(charging only)=0x41 DC_type EE(charging/discharging possible)=0x42 DC_type EE(discharging only)=0x43 DC_type FF(charging only)=0x51 DC_type FF(charging/discharging possible)=0x52 DC_type FF(discharging only)=0x53	unsigned char	1 byte	—	Get	○		Note 6
Vehicle connection confirmation	0xCD	Confirms the connection status between an electric vehicle charger/discharger and a vehicle Connection confirmation = 0x10	unsigned char	1 byte	—	Set	○		Note 7

Chargeable capacity of vehicle mounted battery	0xCE	This property indicates the chargeable capacity of a vehicle battery connected to an electric vehicle charger/discharger in “Wh”.	Unsigned long	4 bytes	Wh	Get	○		Note 8
		0x00000000 to 0x3B9AC9FF (0 to 999,999,999 Wh)							
Remaining chargeable capacity of vehicle mounted battery	0xCF	This property indicates the remaining chargeable capacity of a vehicle battery connected to an electric vehicle charger/discharger in “Wh”.	Unsigned long	4 bytes	Wh	Get	○		Note 8
		0x00000000 to 0x3B9AC9FF (0 to 999,999,999 Wh)							
Used capacity of vehicle mounted battery 1	0xD0	This property indicates the capacity of a vehicle battery connected to an electric vehicle charger/discharger in Wh.	unsigned long	4 bytes	Wh	Get	○		Note 3
		0x00000000–0x3B9AC9FF (0–999,999,999Wh)							
Used capacity of vehicle mounted battery 2	0xD1	This property indicates the capacity of a vehicle battery connected to an electric vehicle charger/discharger in units of 0.1Ah.	unsigned short	2 bytes	0.1Ah	Get			
		0x0000–0x7FFE (0–3,276.6Ah)							
Rated voltage	0xD2	This property indicates the normal rated voltage of an electric vehicle charger/discharger in V.	unsigned short	2 bytes	V	Get			
		0x0000–0x7FFE (0–32,766V)							
Measured instantaneous charging/discharging electric energy	0xD3	This property indicates the measured instantaneous charging/discharging electric energy in ±W.	signed long	4 bytes	W	Get			
		0x00000001–0x3B9AC9FF (1–999,999,999W): charging (positive), 0xFFFFFFFF–0xC4653601 (-1–-999,999,999W): discharging (negative)							
Measured instantaneous charging/discharging current	0xD4	This property indicates the instantaneous charging/discharging current in units of ±0.1A.	signed short	2 bytes	0.1A	Get			
		0x0001–0x7FFE (0.1–3,276.6A): charging (positive), 0xFFFF–0x8001 (-0.1– -3,276.7A): discharging (negative)							
Measured instantaneous charging/discharging voltage	0xD5	This property indicates the instantaneous charging/discharging voltage in ±V.	signed short	2 bytes	V	Get			
		0x0001–0x7FFE (1–32,766V): charging (positive), 0xFFFF–0x8001 (-1– -32,767V): discharging (negative)							
Measured cumulative amount of discharging electric energy	0xD6	This property indicates the cumulative amount of discharging electric energy in units of 0.001kWh.	unsigned long	4 bytes	0.001 kWh	Get			
		0x00000000–0x3B9AC9FF (0–999,999,999kWh)							
Cumulative amount of discharging electric energy reset setting	0xD7	This property resets the cumulative amount of discharging electric energy.	unsigned char	1 byte	—	Set			
		Reset = 0x00							
Measured cumulative amount of charging electric energy	0xD8	This property indicates the cumulative amount of charging electric energy in units of 0.001kWh.	unsigned long	4 bytes	0.001 kWh	Get			
		0x00000000–0x3B9AC9FF (0–999,999,999kWh)							
Cumulative amount of charging electric energy reset setting	0xD9	This property resets the cumulative amount of charging electricity energy.	unsigned char	1 byte	—	Set			
		Reset = 0x00							
Operation mode setting	0xDA	This property sets the operation mode (Charging /Discharging /Standby /Idle /Other).	unsigned char	1 byte	—	Set /Get	○	○	

		Charging = 0x42, Discharging = 0x43, Standby = 0x44, Idle = 0x47, Other = 0x40							
System-interconnected type	0xDB	This property indicates the system interconnection status of an electric vehicle charger/discharger. System interconnection (reverse power flow acceptable) = 0x00 Independent type = 0x01 System interconnection (reverse power flow not acceptable) = 0x02	unsigned char	1 byte	—	Get			
Remaining stored electricity of vehicle mounted battery 1	0xE2	This property indicates the remaining stored capacity of a vehicle battery connected to an electric vehicle charger/discharger in Wh. 0x00000000–0x3B9AC9FF (0–999,999,999Wh)	unsigned long	4 bytes	Wh	Get	○		Note 4
Remaining stored electricity of vehicle mounted battery 2	0xE3	This property indicates the remaining stored capacity of a vehicle battery connected to an electric vehicle charger/discharger in units of 0.1Ah. 0x0000–0x7FFE (0–3,276.6Ah)	unsigned short	2 bytes	0.1Ah	Get			
Remaining stored electricity of vehicle mounted battery 3	0xE4	This property indicates the remaining stored capacity of the electric vehicle mounted battery connected to an electric vehicle charger/discharger in %. 0x00–0x64 (0–100%)	unsigned char	1 byte	%	Get	○		Note 4
Vehicle ID	0xE6	This property indicates the vehicle ID information of an electric vehicle connected to an electric vehicle charger/discharger. First byte (data size for vehicle ID information): 0x01 through 0x18 (1-24), 0x00 if no vehicle ID is available. Second and succeeding bytes (vehicle ID information): data specified for each vehicle. No second and succeeding bytes exist if no vehicle ID information is available.	Unsigned char	MAX 25 bytes	—	Get	○		
Charging amount setting 1	0xE7	This property specifies the charging electric energy in Wh. 0x00000000–0x3B9AC9FF (0–999,999,999Wh)	unsigned long	4 bytes	Wh	Set/Get			Note 5
Charging amount setting 2	0xE9	This property specifies the charging capacity in units of 0.1Ah. 0x0000–0x7FFE (0–3,276.6Ah)	unsigned short	2 bytes	0.1Ah	Set/Get			Note 5
Discharging amount setting	0xEA	This property specifies the discharging electric energy in Wh. 0x00000000 to 0x3B9AC9FF (0 to 999,999,999 Wh)	Unsigned long	4 bytes	Wh	Set/Get			
Charging electric energy setting	0xEB	This property specifies the charging electric energy in W. 0x00000000–0x3B9AC9FF (0–999,999,999W)	unsigned long	4 bytes	W	Set/Get			
Discharging electric energy setting	0xEC	This property specifies the discharging electric energy in W. 0x00000000–0x3B9AC9FF (0–999,999,999W)	unsigned long	4 bytes	W	Set/Get			
Charging current setting	0xED	This property specifies the charging current in units of 0.1A. 0x0000–0xFFFD (0–6,553.3A)	unsigned short	2 bytes	0.1A	Set/Get			
Discharging current setting	0xEE	This property specifies the discharging current in units of 0.1A. 0x0000–0xFFFD (0–6,553.3A)	unsigned short	2 bytes	0.1A	Set/Get			
Rated voltage (Independent)	0xEF	Indicates the rated voltage of an independent electric vehicle charger/discharger in V.	unsigned short	2 bytes	V	Get			

		0x0000–0x7FFE (0–32,766V)							
--	--	---------------------------	--	--	--	--	--	--	--

Note: In the “Announcement at status change” column, o denotes mandatory processing when the property is implemented.

Note 1: The installation of “Dischargeable capacity of vehicle mounted battery 1” is mandatory in case of output from an electric vehicle connected to an electric vehicle charger/discharger. Where no response can be returned, “Response impossible” is returned.

Note 2: The installation of “Remaining dischargeable capacity of vehicle mounted battery 1” or “Remaining dischargeable capacity of vehicle mounted battery 3” is mandatory in case of output from an electric vehicle connected to an electric vehicle charger/discharger. Where no response can be returned, “Response impossible” is returned.

Note 3: The installation of “Used capacity of vehicle mounted battery 1” is mandatory in case of output from an electric vehicle connected to an electric vehicle charger/discharger. Where no response can be returned, “Response impossible” is returned.

Note 4: The installation of “Remaining stored electricity of vehicle mounted battery 1” or “Remaining stored electricity of vehicle mounted battery 3” is mandatory in case of output from an electric vehicle connected to an electric vehicle charger/discharger. Where no response can be returned, “Response impossible” is returned.

Note 5: When “Charging amount setting 1 (or 2)” is used, “Charging amount setting 2 (or 1)” shall not be used.

Note 6: DC_type AA, DC_type BB, DC_type EE and DC_type FF chargers/dischargers shall be electric vehicle chargers/dischargers with connectors of the shape specified in Configuration AA, Configuration BB, Configuration EE and Configuration FF as defined in IEC 62196-3.

Note 7: Vehicle connection confirmation is only mandatory when the charger/discharger type is DC_type AA.

Note 8: The installation of “chargeable capacity of vehicle mounted battery” and “chargeable capacity of vehicle mounted battery” is mandatory in case of output from an electric vehicle connected to an electric vehicle charger/discharger.

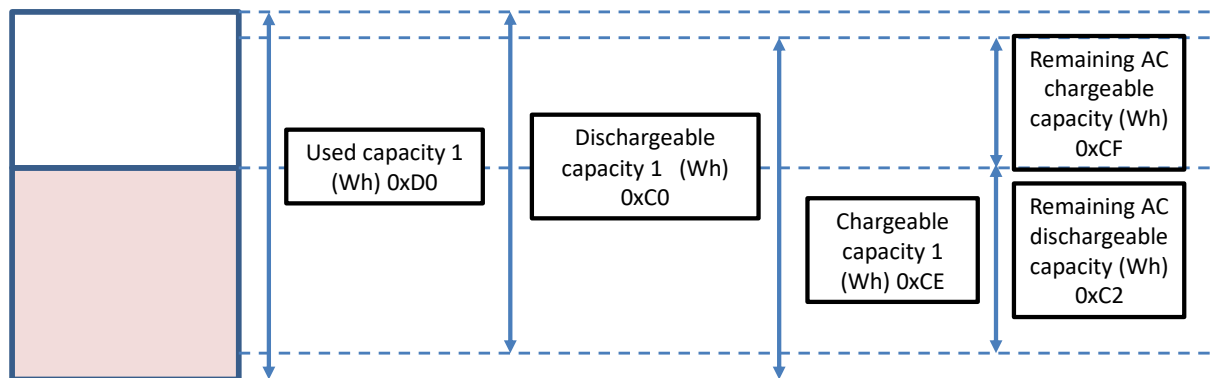
Electric vehicle charger/discharger includes Electric Vehicle Power System (EVPS) connected to an electric vehicle. Since an electric vehicle connected to an electric vehicle charger/discharger can be changed, the property values of the electric vehicle charger/discharger vary in accordance with the electric vehicle connected to the electric vehicle charger/discharger. When the status (Connected to vehicle, Chargeable/Dischargeable) changes from “Not connected to vehicle” to “Connected to

vehicle,” the connected electric vehicle may be different. Therefore, it is preferable to acquire property values again for specifications that are determined by the electric vehicle and EVPS.

For example: Used capacity of vehicle mounted battery 1, Dischargeable capacity of vehicle mounted battery 1, Remaining dischargeable capacity of vehicle mounted battery 1, and Remaining dischargeable capacity of vehicle mounted battery 3

AC shall be assumed for currents, voltages, and electric energies handled in this class.

A relationship between the properties related to electric energy that are handled in this class is shown below. Actual capacities shall be determined based on information from the electric vehicle connected to a charger/discharger, considering the efficiency of the chargers/dischargers.



Note, however, that the following properties of properties to be implemented on the electric vehicle chargers/dischargers shall be output as information on the electric vehicle charger/discharger, instead of an information based on those acquired from the electric vehicle charger/discharger.

- 0x80: Operation status
- 0xC5: Rated charge capacity
- 0xC6: Rated discharge capacity
- 0xC8: Minimum/maximum charging electric energy
- 0xC9: Minimum/maximum discharging electric energy
- 0xCA: Minimum/maximum charging current
- 0xCB: Minimum/maximum discharging current
- 0xCC: Charger/discharger type
- 0xD2: Rated voltage

- 0xD3: Measured instantaneous charging/discharging electric energy
- 0xD4: Measured instantaneous charging/discharging current
- 0xD5: Measured instantaneous charging/discharging voltage
- 0xD6: Measured cumulative amount of discharging electric energy
- 0xD8: Measured cumulative amount of charging electric energy
- 0xDA: Operation mode setting
- 0xDB: system interconnected type
- 0xEF: Rated voltage

For properties to be implemented for electric vehicle charger/dischargers, information to be acquired from a vehicle connected to an electric vehicle charger/discharger shall be indicated in a form of an example of a connection between an electric vehicle charger/discharger and a DC-type AA vehicle for the concept of converting into an applicable property. (Note that the maximum charge/discharge efficiency of the chargers/dischargers indicated in this chapter shall be 1.)

The terms to be used in following detailed descriptions shall be defined as follows.

- Total battery capacity: “used capacity of vehicle mounted battery 1” property
- Charging rate of the battery: “remaining stored electricity of vehicle mounted battery 3” property
- Constant number for charging rate indication: a fixed number to indicate charging rate (100% (0x64))
- Discharge lower limit for charging rate: the lower limit value that a vehicle can allow discharging.
- Charge upper limit for charging rate: the upper limit value that a vehicle can allow charging.
- Charger/discharger discharge efficiency: conversion efficiency between direct current and alternating current when discharged from the electric vehicle charger/discharger
- Charger/discharger charge efficiency: conversion efficiency between direct current and alternating current when charged from the electric vehicle charger/discharger

(1) Operation status (inherited from the property of the device object super class)

This property indicates whether an electric vehicle charger/discharger is ready to acquire status and accept settings (ON) or not (OFF). The property value is 0x30 for ON and 0x31 for OFF.

(2) Dischargeable capacity of vehicle mounted battery 1

This property indicates the dischargeable capacity of a vehicle battery connected to an electric vehicle charger/discharger in Wh. The property value range is 0x00000000 to 0x3B9AC9FF (0 to 999,999,999Wh).

Based on information obtained from the vehicle, calculation can be implemented using following formula (example):

$(\text{Total battery capacity} \times (\text{constant number for charging rate indication} - \text{discharge lower limit for charging rate}) \div 100) \times \text{electric vehicle charger/discharger discharge efficiency}$

(3) Dischargeable capacity of vehicle mounted battery 2

This property indicates the dischargeable capacity of a vehicle battery connected to an electric vehicle charger/discharger in units of 0.1Ah. The property value range is 0x0000 to 0x7FFE (0 to 3,276.6Ah).

(4) Remaining dischargeable capacity of vehicle mounted battery 1

This property indicates the remaining dischargeable capacity of a vehicle battery connected to an electric vehicle charger/discharger in Wh. The property value range is 0x00000000 to 0x3B9AC9FF (0 to 999,999,999Wh).

Based on information obtained from the vehicle, calculation can be implemented using following formula (example):

$(\text{Total battery capacity} \times (\text{charging rate of the battery} - \text{discharge lower limit for charging rate}) \div 100) \times \text{charger/discharger discharge efficiency}$

(5) Remaining dischargeable capacity of vehicle mounted battery 2

This property indicates the remaining dischargeable capacity of a vehicle battery connected to an electric vehicle charger/discharger in units of 0.1Ah. The property value range is 0x0000 to 0x7FFE (0 to 3,276.6Ah).

(6) Remaining dischargeable capacity of vehicle mounted battery 3

This property indicates the remaining dischargeable capacity of a vehicle battery connected to an electric vehicle charger/discharger in %. The property value range is 0x00 to 0x64 (0 to 100%).

Based on information obtained from the vehicle, calculation can be implemented using following formula (example):

$(\text{Charging rate of the battery} - \text{discharge lower limit for charging rate}) \times \text{charger/discharger discharge efficiency}$

(7) Rated charge capacity

This property indicates the rated charge capacity of an electric vehicle

charger/discharger in W. The property value range is 0x00000000 to 0x3B9AC9FF (0 to 999,999,999W). When no charging function is supported, the value shall be 0 W.

(8) Rated discharge capacity

This property indicates the rated discharge capacity of an electric vehicle charger/discharger in W. The property value range is 0x00000000 to 0x3B9AC9FF (0 to 999,999,999W). When no discharging function is supported, the value shall be 0 W.

(9) Vehicle connection and chargeable/dischargeable status

This property indicates whether a vehicle is connected to an electric vehicle charger/discharger or not and whether it is chargeable or dischargeable. The property value is 0x30 when no vehicle is connected, 0x40 when a vehicle is connected but not chargeable and not dischargeable, 0x41 when the vehicle is chargeable but not dischargeable, 0x42 when the vehicle is not chargeable but dischargeable, 0x43 when the vehicle is chargeable and dischargeable, and 0x44 when chargeable/dischargeable status is known.

“0x44” shall be used also, if the vehicle status is unknown until charging or discharging is started, the chargeable/dischargeable status shall be output when a charging or discharging start instruction is given. If the connection status of a vehicle cannot be determined, this property indicates “0xFF” as an undetermined status.

Vehicle connection and chargeable/dischargeable status shall be determined according to the combination of following information.

- Vehicle connection/disconnection confirmation

Vehicles shall be considered “connected” when a charger/discharger connector is locked and/or a signal line between the charger/discharger and the vehicle is connected. Vehicles shall be considered “not connected” (0x30) when a charger/discharger connector is not locked and/or a signal line between the charger/discharger and the vehicle is not connected.

- Dischargeable/not dischargeable determination

Shall be determined based on vehicle connection status.

When a vehicle does not support a discharging, the vehicle shall not be dischargeable.

When a vehicle supports a discharging, and a charging rate is higher than the

discharge lower limit for the charging rate, the vehicle shall be dischargeable.

When a vehicle supports a discharging, and a charging rate is lower or equal to the discharge lower limit for charging rate, the vehicle shall not be dischargeable.

- Chargeable/not chargeable determination

Shall be determined based on vehicle connection status.

When a vehicle does not support a discharging, the vehicle shall be chargeable.

When a vehicle supports a discharging, and a charge upper limit for charging rate is not 0, and charging rate is lower than charge upper limit for charging rate, the vehicle shall be chargeable.

When a vehicle supports a discharging, and a charge upper limit for charging rate is 0, the vehicle shall be chargeable.

When a vehicle does not support charging, the vehicle shall not be chargeable.

(10) Minimum/maximum charging electric energy

This property indicates the minimum and maximum charging electric energies to an electric vehicle charger/discharger in W. Each value range is 0x00000000 to 0x3B9AC9FF (0 to 999,999,999W). The property value represents minimum and maximum in order from the highest-order byte. When the property value of the actual device is higher than the upper limit of the value range, the overflow code 0xFFFFFFFF shall be used. When no charging function is supported, the value shall be 0.

(11) Minimum/maximum discharging electric energy

This property indicates the minimum and maximum discharging electric energies to an electric vehicle charger/discharger in W. Each value range is 0x00000000 to 0x3B9AC9FF (0 to 999,999,999W). The property value represents minimum and maximum in order from the highest-order byte. When the property value of the actual device is higher than the upper limit of the value range, the overflow code 0xFFFFFFFF shall be used. When no discharging function is supported, the value shall be 0.

(12) Minimum/maximum charging current

This property indicates the minimum and maximum charging currents of an electric vehicle charger/discharger in units of 0.1A. Each value range is 0x0000 to 0x7FFE (0 to 3,276.6A). The property value represents minimum and maximum in order from the highest-order byte. When the property value of the actual device is higher

than the upper limit of the value range, the overflow code 0xFFFF shall be used. When no charging function is supported, the value shall be 0.

(13) Minimum/maximum discharging current

This property indicates the minimum and maximum discharging currents of an electric vehicle charger/discharger in units of 0.1A. Each value range is 0x0000 to 0x7FFE (0 to 3,276.6A). The property value represents minimum and maximum in order from the highest-order byte. When the property value of the actual device is higher than the upper limit of the value range, the overflow code 0xFFFF shall be used. When no discharging function is supported, the value shall be 0.

(14) Charger/discharger type

This property indicates the type of electric vehicle charger/discharger. As the type of electric vehicle charger/discharger, it indicates one of AC_CPLT (0x11), AC_HLC (charging only) (0x12), AC_HLC (charging/discharging) (0x13), DC_type AA (charging only) (0x21), DC_type AA (charging/discharging) (0x22), DC_type AA (discharging only) (0x23), DC_type BB (charging only) (0x31), DC_type BB (charging/discharging) (0x32), DC_type BB (discharging only) (0x33), DC_type EE (charging only) (0x41), DC_type EE (charging/discharging) (0x42), DC_type EE (discharging only) (0x43), DC_type FF (charging only) (0x51), DC_type FF (charging/discharging) (0x52), and DC_type FF (discharging only) (0x53).

Explanation of charger/discharger types

- AC_CPLT (0x11): Uses alternating current to charge the electric vehicle and CPLT signals to communicate with the electric vehicle.
- AC_HLC (charging only) (0x12): Uses alternating current to charge the electric vehicle and both CPLT and HLC signals to communicate with the electric vehicle.
- AC_HLC (charging/discharging) (0x13): Uses alternating current to charge the electric vehicle and to discharge from the electric vehicle to the charger/discharger, and uses both CPLT and HLC signals to communicate with the electric vehicle.
- DC_type AA (charging only) (0x21): Uses direct current to charge the electric vehicle and type AA signals to communicate with the electric vehicle.
- DC_type AA (charging/discharging) (0x22): Uses direct current to charge the electric vehicle and to discharge from the electric vehicle to the charger/discharger, and uses type AA signals to communicate with the electric vehicle.
- DC_type AA (discharging only) (0x23): Uses direct current to discharge from the

electric vehicle to the charger/discharger and type AA signals to communicate with the electric vehicle.

- DC_type BB (charging only) (0x31): Uses direct current to charge the electric vehicle and type BB signals to communicate with the electric vehicle.
- DC_type BB (charging/discharging) (0x32): Uses direct current to charge the electric vehicle and to discharge from the electric vehicle to the charger/discharger, and uses type BB signals to communicate with the electric vehicle.
- DC_type BB (discharging only) (0x33): Uses direct current to discharge from the electric vehicle to the charger/discharger and type BB signals to communicate with the electric vehicle.
- DC_type EE (charging only) (0x41): Uses direct current to charge the electric vehicle and type EE signals to communicate with the electric vehicle.
- DC_type EE (charging/discharging) (0x42): Uses direct current to charge the electric vehicle and to discharge from the electric vehicle to the charger/discharger, and uses type EE signals to communicate with the electric vehicle.
- DC_type EE (discharging only) (0x43): Uses direct current to discharge from the electric vehicle to the charger/discharger and type EE signals to communicate with the electric vehicle.
- DC_type FF (charging only) (0x51): Uses direct current to charge the electric vehicle and type FF signals to communicate with the electric vehicle.
- DC_type FF (charging/discharging) (0x52): Uses direct current to charge the electric vehicle and to discharge from the electric vehicle to the charger/discharger and type FF signals to communicate with the electric vehicle.
- DC_type FF (discharging only) (0x53): Uses direct current to discharge from the electric vehicle to the charger/discharger and type FF signals to communicate with the electric vehicle.

Explanation of the relationship between charger/discharger type and “Vehicle connection and chargeable/dischargeable status” (0xC7)

- AC_CPLT (0x11): Always undetermined (0xFF).
- AC_HLC (charging only) (0x12) or AC_HLC (charging/discharging) (0x13): Undetermined (0xFF) when only CPLT functions are installed in the connected vehicle. When both CPLT and HLC functions are installed in the vehicle, the content is as indicated under vehicle connection and chargeable/dischargeable status (0xC7).
- DC_type AA (charging only) (0x21), DC_type AA (charging/discharging) (0x22) or

DC_type AA (discharging only) (0x23): Undetermined (0xFF) until information is acquired via vehicle connection confirmation (0xCD). After information is acquired, the content is as indicated under vehicle connection and chargeable/dischargeable status (0xC7).

- DC_type BB (charging only) (0x31), DC_type BB (charging/discharging) (0x32), DC_type BB (discharging only) (0x33), DC_type EE (charging only) (0x41), DC_type EE (charging/discharging) (0x42), DC_type EE (discharging only) (0x43), DC_type FF (charging only) (0x51), DC_type FF (charging/discharging) (0x52) or DC_type FF (discharging only) (0x53): Content is as indicated under vehicle connection and chargeable/dischargeable status (0xC7).

(15) Vehicle connection confirmation

This property confirms the connection status between an electric vehicle charger/discharger and an electric vehicle. "Connection status" shall mean a status that a charger/discharger connector is locked and/or a signal line between the charger/discharger and a vehicle is connected.

This property is only mandatory if the electric vehicle charger/discharger type is one of DC_type AA (charging only) (0x21), DC_type AA (charging/discharging) (0x22), and DC_type AA (discharging only) (0x23).

(16) Used capacity of vehicle mounted battery 1 (total battery capacity)

This property indicates the capacity of a vehicle battery connected to an electric vehicle charger/discharger in Wh. The property value range is 0x00000000 to 0x3B9AC9FF (0 to 999,999,999Wh).

Shall be output based on information acquired from the vehicle.

(17) Used capacity of vehicle mounted battery 2

This property indicates the capacity of a vehicle battery connected to an electric vehicle charger/discharger in units of 0.1Ah. The property value range is 0x0000 to 0x7FFE (0 to 3,276.6Ah).

(18) Rated voltage

This property indicates the normal rated voltage of an electric vehicle charger/discharger in V. The property value range is 0x0000 to 0x7FFE (0 to 32,766V).

(19) Measured instantaneous charging/discharging electric energy

This property indicates the instantaneous charging or discharging electric energy of an electric vehicle charger/discharger in W. The property value range is 0x00000001 to 0x3B9AC9FF (1 to 999,999,999W) for charging and 0xFFFFFFFF to 0xC4653601 (-1 to -999,999,999W) for discharging. When the property value of the actual device is higher than the upper limit of the value range, the overflow code 0x7FFFFFFF shall be used. When the property value is lower than the lower limit of the value range, the underflow code 0x80000000 shall be used. The value is 0 for no charging or discharging.

(20) Measured instantaneous charging/discharging current

This property indicates the instantaneous charging or discharging current of an electric vehicle charger/discharger in units of 0.1A. The property value range is 0x0001 to 0x7FFE (0.1 to 3,276.6A) for charging and 0xFFFF to 0x8001 (-0.1 to -3,276.7A) for discharging. When the property value of the actual device is higher than the upper limit of the value range, the overflow code 0x7FFF shall be used. When the property value is lower than the lower limit of the value range, the underflow code 0x8000 shall be used. The value is 0 for no charging or discharging.

(21) Measured instantaneous charging/discharging voltage

This property indicates the instantaneous charging or discharging voltage of an electric vehicle charger/discharger in V. The property value range is 0x0001 to 0x7FFE (1 to 32,766V) for charging and 0xFFFF to 0x8001 (-1 to -32,767V) for discharging. When the property value of the actual device is higher than the upper limit of the value range, the overflow code 0x7FFF shall be used. When the property value is lower than the lower limit of the value range, the underflow code 0x8000 shall be used. The value is 0 for no charging or discharging.

(21) Measured cumulative amount of discharging electric energy

This property indicates the cumulative amount of discharging electric energy of an electric vehicle charger/discharger in units of 0.001kWh. The property value range is 0x00000000 to 0x3B9AC9FF (0 to 999,999.999kWh). When the cumulative amounts of electric energy overflows, the property value shall be incremented again from 0x00000000.

(23) Cumulative amount of discharging electric energy reset setting

This property is set to 0x00 to reset the measured cumulative amount of discharging electric energy to zero.

(24) Measured cumulative amount of charging electric energy

This property indicates the cumulative amount of charging electric energy of an electric vehicle charger/discharger in units of 0.001kWh. The property value range is 0x00000000 to 0x3B9AC9FF (0 to 999,999.999kWh). When the cumulative amounts of electric energy overflows, the property value shall be incremented again from 0x00000000.

(25) Cumulative amount of charging electric energy reset setting

This property is set to 0x00 to reset the measured cumulative amount of charging electric energy to zero.

(26) Operation mode setting

This property indicates the operation mode of an electric vehicle charger/discharger. The operation mode is Charging (0x42), Discharging (0x43), Standby (0x44), Idle (0x47), or Other (0x40). “Other” indicates that the charger/discharger is not in one of Charging, Discharging, Standby or Idle modes.

(27) System interconnection status

This property indicates the connection status of the current system and an electric vehicle charger/discharger (system interconnection status).

System-interconnected (reverse power flow acceptable) = 0x00, Independent = 0x01,

System-interconnected (reverse power flow not acceptable) = 0x02

(28) Remaining stored electricity of vehicle mounted battery 1

This property indicates the remaining stored capacity of a vehicle battery connected to an electric vehicle charger/discharger in Wh. The property value range is 0x00000000 to 0x3B9AC9FF (0 to 999,999,999Wh).

Based on information obtained from the vehicle, calculation can be implemented using following formula (example): Note that the charge/discharge efficiency shall not be included in the electric vehicle charger/discharger.

Total battery capacity × charging rate of the battery ÷ 100

(29) Remaining stored electricity of vehicle mounted battery 2

This property indicates the remaining stored capacity of a vehicle battery connected to an electric vehicle charger/discharger in units of 0.1Ah. The property value range is 0x0000 to 0x7FFE (0 to 3,276.6Ah).

(30) Remaining stored electricity of vehicle mounted battery 3 (charging rate)

This property indicates the remaining stored capacity (SOC: State of Charge) of a vehicle battery connected to a charger/discharger in %. The property value range is 0x00 to 0x64 (0 to 100%).

Shall be output based on information acquired from the vehicle.

(31) Charging amount setting 1

This property specifies the charging electric energy in Wh. The property value range is 0x00000000 to 0x3B9AC9FF (0 to 999,999,999Wh). The property value "0x00000000" shall be "not set". During charging operation based on this setting value, there is no change in the value based on the charging energy (there is no successive change corresponding to actual performance of charging energy). If this property is set during charging operation based on this setting value, charging shall start based on the cumulative value of electric energy from the point in time indicated by the charging amount setting if reflected, regardless of the charged amount. When charging operation based on this setting value is completed, the operation mode setting becomes "Standby". There are also cases where charging ends without the electric energy set for this setting value being charged. If charging until the chargeable capacity of vehicle mounted battery becomes 0, specify a value greater than the chargeable capacity of vehicle mounted battery for this setting value.

(32) Charging amount setting 2

This property specifies the charging capacity in units of 0.1Ah. The property value range is 0x0000 to 0x7FFE (0 to 3,276.6Ah). The property value "0x00000" shall be "not set". During charging operation based on this setting value, there is no change in the value based on the charging energy (there is no successive change corresponding to actual performance of charging energy). If this property is set during charging operation based on this setting value, charging shall start based on the cumulative value of electric energy from the point in time indicated by the charging amount setting if reflected, regardless of the charged amount. When charging operation based on this setting value is completed, the operation mode

setting becomes “Standby”. There are also cases where charging ends without the electric energy set for this setting value being charged. If charging until the chargeable capacity of vehicle mounted battery becomes 0, specify a value greater than the rated capacity.

(33) Charging electric energy setting

This property specifies the charging electric energy in W. The property value range is 0x00000000 to 0x3B9AC9FF (0 to 999,999,999W).

(34) Discharging electric energy setting

This property specifies the discharging electric energy in the system-interconnected status in W. The property value range is 0x00000000 to 0x3B9AC9FF (0 to 999,999,999W). In the independent status, “Response impossible” is returned.

(35) Charging current setting

This property specifies the charging current in units of 0.1A. The property value range is 0x0000 to 0xFFFD (0 to 6,553.3A).

(36) Discharging current setting

This property specifies the discharging current in the system-interconnected status in units of 0.1A. The property value range is 0x0000 to 0xFFFD (0 to 6,553.3A). In the independent status, “Response impossible” is returned.

(37) Rated voltage (Independent)

This property indicates the rated voltage (catalog value) in V when the system interconnection status is “Independent.” The property value range is 0x0000 to 0x7FFE (0 to 32,766V). When this property is not used, the rated voltage (EPC = 0xD2) may be used as the value as the independent status.

(38) Chargeable capacity of vehicle mounted battery

This property indicates the chargeable capacity of a vehicle battery connected to an electric vehicle charger/discharger in a unit of “Wh”. The property value range is 0x00000000 to 0x3B9AC0FF (0 to 999,999,999 Wh).

Based on information obtained from the vehicle, calculation can be implemented using following formula (example):

$(\text{Total battery capacity} \times \text{charge upper limit for charging rate} \div 100) \div$

charger/discharger charge efficiency

(39) Remaining chargeable capacity of vehicle mounted battery

This property indicates the remaining chargeable capacity of a vehicle battery connected to an electric vehicle charger/discharger in a unit of Wh. The property value range is 0x00000000 to 0x3B9AC0FF (0 to 999,999,999 Wh).

Based on information obtained from the vehicle, calculation can be implemented using following formula (example):

$$\text{(Total battery capacity} \times (\text{charge upper limit for charging rate} - \text{charging rate of the battery}) \div 100) \div \text{charger/discharger charge efficiency}$$

(40) Vehicle ID

This property stores the data size of the vehicle ID information of an electric vehicle connected to an electric vehicle charger/discharger and vehicle ID information. Data length shall be variable, and it shall be vehicle ID information + 1. If vehicle ID cannot be acquired, 0x00 shall be stored in the first byte (number of bytes of vehicle ID information). In this case, data size shall be 1 byte.

Data size of the vehicle ID information (1 byte)	Vehicle ID information (Max 24 bytes)
--	---

Note that this property shall be effective when the value of the vehicle connection and chargeable/dischargeable status (0xC7) is 0x40-0x44. Using the vehicle ID for billing purposes is not recommended due to potential security issues.

(41) Discharging amount setting

This property specifies the discharging electric energy in a unit of “Wh”. The property value range is 0x00000000 to 0x3B9AC0FF (0 to 999,999,999 Wh). The property value “0x00000000” shall be “not set”. During discharging operation based on this setting value, there is no change in the value based on the discharging energy (there is no successive change corresponding to actual performance of discharging energy). If this property is set during discharging operation based on this setting value, discharging shall be started based on a cumulative value for electric energy from a point of time that discharging amount setting is reflected, regardless the discharged amount. When discharging operation based on this setting value is completed, the operation mode setting becomes “Standby”. There are also

cases where discharging ends without the electric energy set for this setting value being discharged. If charging until the dischargeable capacity of vehicle mounted battery becomes 0, specify a value greater than the dischargeable capacity of vehicle mounted battery for this setting value.

3. 3. 19 Requirements for engine cogeneration class

Class group code : 0x02

Class code : 0x7F

Instance code : 0x01 to 0x7F (0x00: All instance specification code)

Property name	EPC	Contents of property	Data type	Data size	Unit	Access rule	Mandatory	Announcement at status change	Remark
		Value range (decimal notation)							
Operation status	0x80	This property indicates the ON/OFF status.	unsigned char	1 byte	-	Set	○	○	
		ON=0x30, OFF=0x31				Get			
Measured temperature of water in water heater	0xC1	This property indicates the current temperature of the water in the water heater in °C.	unsigned char	1 byte	°C	Get			
		0x00-0x64 (0-100°C)							
Rated power generation output	0xC2	This property indicates the rated power generation output in watts.	unsigned short	2 bytes	W	Get			
		0x0000-0xFFFF (0-65,533W)							
Heating value of hot water storage tank	0xC3	This property indicates the heating value of the hot water storage tank in MJ.	unsigned short	2 bytes	MJ	Get			
		0x0000-0xFFFF (0-65,533MJ)							
Measured instantaneous power generation output	0xC4	This property indicates the instantaneous power generation output in watts.	unsigned short	2 bytes	W	Get	○		
		0x0000-0xFFFF (0-65,533W)							
Measured cumulative power generation output	0xC5	This property indicates the cumulative power generation output in increments of 0.001kWh.	unsigned long	4 bytes	0.001 kWh	Get	○		
		0x00000000-0x3B9AC9FF (0-999,999.999kWh)							
Cumulative power generation output reset setting	0xC6	Resets the cumulative power generation output by writing 0x00.	unsigned char	1byte	-	Set			
		Reset=0x00							
Measured instantaneous gas consumption	0xC7	This property indicates the instantaneous gas consumption in increments of 0.001m³/h.	unsigned short	2 bytes	0.001 m³/h	Get			
		0x0000-0xFFFF (0-65.533m³/h)							
Measured cumulative gas consumption	0xC8	This property indicates the cumulative gas consumption in increments of 0.001m³.	unsigned long	4 bytes	0.001 m³	Get			
		0x00000000-0x3B9AC9FF (0-999,999.999m³)							
Cumulative gas consumption reset setting	0xC9	Resets the cumulative gas consumption by writing 0x00.	unsigned char	1 byte	-	Set			
		Reset=0x00							

Power generation setting	0xCA	This property indicates the setting of start or stop of power generation.	unsigned char	1 byte	—	Set/Get			
		Power generation ON=0x41, Power generation OFF=0x42							
Power generation status	0xCB	This property indicates power generation status.	unsigned char	1 byte	—	Get			
		generating =0x41, stopped=0x42, idling=0x45							
Measured in-house instantaneous power consumption	0xCC	This property indicates the measured in-house instantaneous power consumption in watts.	unsigned short	2 bytes	W	Get			
		0x0000-0xFFFFD (0-65,533W)							
Measured in-house cumulative power consumption	0xCD	This property indicates the measured in-house cumulative power consumption in0.001kWh.	unsigned long	4 bytes	0.001 kWh	Get			
		0x00000000-0x3B9AC9FF (0-999,999.999kWh)							
In-house cumulative power consumption reset	0xCE	This property is set to 0x00 to reset the in-house cumulative power consumption.	unsigned char	1 byte		Set			
		Reset=0x00							
System interconnected type	0xD0	This property indicates the system interconnected type.	unsigned char	1 byte	—	Get			
		System-interconnected type (reverse power flow acceptable)=0x00, Independent type=0x01, System-interconnected type(reverse power flow not acceptable)=0x02							
Measured remaining hot water amount	0xE1	This property indicates the measured amount of the remaining hot water in liters.	unsigned short	2 bytes	liter	Get			
		0x0000-0xFFFFD (0-65,533 liters)							
Tank capacity	0xE2	This property indicates the tank capacity in liters.	unsigned short	2 bytes	liter	Get			
		0x0000-0xFFFFD (0-65,533 liters)							

Note: In the “Announcement at status change” column, ○ denotes mandatory processing when the property is implemented.

(1) Operation status (a property inherited from the device object super class)

This property indicates whether the functions specific to this class are operating (ON) or not (OFF). In the case of a node in which this class is implemented and the functions specific to this class start operating upon startup of the node, this property may be implemented with the value fixed at 0x30 (operation status ON).

(2) Measured hot water temperature of water heater

This property indicates the current hot water temperature in the hot water storage tank in °C. The property value range is 0x00 to 0x64 (0 to 100°C).

(3) Rated power generation output

This property indicates the rated power generation output in watts. The property value range is 0x0000 to 0xFFFFD. When the property value of the actual device is higher than the upper bound of the value range, 0xFFFF (overflow code) shall be used. When the property value of the actual device is lower than the lower bound of the value range, 0xFFFFE (underflow code) shall be used.

(4) Heating value of hot water storage tank

This property indicates the heating value of a hot water storage tank in MJ. The property value range is 0x0000 to 0xFFFFD. When the property value of the actual device is higher than the upper bound of the value range, 0xFFFF (overflow code) shall be used. When the property value of the actual device is lower than the lower bound of the value range, 0xFFFFE (underflow code) shall be used.

(5) Measured instantaneous power generation output

This property indicates the instantaneous power generation output in watts. The property value range is 0x0000 to 0xFFFFD. When the property value of the actual device is higher than the upper bound of the value range, 0xFFFF (overflow code) shall be used. When the property value of the actual device is lower than the lower bound of the value range, 0xFFFFE (underflow code) shall be used.

(6) Measured cumulative power generation output

This property indicates the cumulative power generation output in units of 0.001kWh. The property value range is 0x00000000 to 0x3B9AC9FF (0 to 999,999.999 kWh). In the event of a cumulative power generation output overflow, the counting of the cumulative power generation output shall be restarted from 0x00000000.

(7) Cumulative power generation output reset setting

This property resets the cumulative power generation output to zero by setting 0x00.

(8) Measured instantaneous gas consumption

This property indicates the instantaneous gas consumption in units of 0.001m³/h. The property value range is 0x0000 to 0xFFFFD. (0 to 65.533 m³/h) When the property value of the actual device is higher than the upper bound of the value range, 0xFFFF (overflow code) shall be used. When the property value of the actual device is lower than the lower bound of the value range, 0xFFFFE (underflow code) shall be used.

(9) Measured cumulative gas consumption

This property indicates the cumulative gas consumption in units of 0.001m³. The property value range is 0x00000000 to 0x3B9AC9FF (0 to 999,999.999 m³). In the event of a cumulative gas consumption overflow, the counting of the cumulative gas consumption shall be restarted from 0x00000000.

(10) Cumulative gas consumption reset setting

This property resets the cumulative gas consumption to zero by setting 0x00.

(11) Power generation setting

This property indicates the setting of power generation by the engine cogeneration. The property value for power generation ON is 0x41, and the property value for power generation OFF is 0x42.

(12) Power generation status

This property indicates the power generation status of the engine cogeneration. The property value for generating is 0x41, the property value for stopped is 0x42 and the property value for idling is 0x45.

(13) Measured in-house instantaneous power consumption

This property indicates the in-house instantaneous power consumption in watts. The property value range is 0x0000 to 0xFFFFD. When the property value of the actual device is higher than the value range of this property, the overflow code 0xFFFF shall be used. When the property value is lower than the value range of this property, the underflow code 0xFFFFE shall be used.

In-house instantaneous power consumption is the sum of power where an anti-reverse power flow CT is installed and the power output.

(14) Measured in-house cumulative power consumption

This property indicates the in-house cumulative power consumption in units of 0.001kWh. The property value range is 0x00000000 to 0x3B9AC9FF (0 to 999,999.999kWh) and shall increment again from 0x00000000 in case of a cumulative power consumption overflow.

In-house cumulative power consumption is the sum of power where an anti-reverse power flow CT is installed and power output.

(15) In-house cumulative power consumption reset

This property is set to 0x00 to reset the in-house cumulative power consumption to zero.

In-house cumulative power consumption is the sum of power where an anti-reverse power flow CT is installed and the power output.

(16) System-interconnected type

This property indicates the status of interconnection with the current system (system-interconnected type).

System interconnection (reverse power flow acceptable) = 0x00, Independent type = 0x01, System interconnection (reverse power flow not acceptable) = 0x02.

(17) Measured remaining hot water amount

This property indicates the amount of hot water remaining in the tank in liters. The property value range is 0x0000 to 0xFFFFD (from 0 to 65,533 liters). When the property value of the actual device is higher than the upper bound of the value range, 0xFFFF (overflow code) shall be used. When the property value of the actual device is lower than the lower bound of the value range, 0xFFFFE (underflow code) shall be used.

(18) Tank capacity

This property indicates the tank capacity in liters. The property value range is 0x0000 to 0xFFFFD (0 to 65,533 liters). When the property value of the actual device is higher than the upper bound of the value range, 0xFFFF (overflow code) shall be used. When the property value of the actual device is lower than the lower bound of the value range, 0xFFFFE (underflow code) shall be used.

3. 3. 20 Requirements for watt-hour meter class

Class group code : 0x02

Class code : 0x80

Instance code : 0x01–0x7F (0x00: All-instance specification code)

Property name	EPC	Contents of property	Data type	Data size	Unit	Access rule	Mandatory	Announcement at status change	Remark
		Value range (decimal notation)							
Operation status	0x80	This property indicates the ON/OFF status.	unsigned char	1 byte	—	Set	○	○	
		ON=0x30, OFF=0x31				Get			
Cumulative amounts of electric energy measurement value	0xE0	This property indicates cumulative amounts of electric energy in decimal (8 digits).	unsigned long	4 bytes	0.1 or 0.01 kWh	Get	○		
		0x00000000–0x05F5E0FF (0–99,999,999)							
Cumulative amounts of electric energy unit	0xE2	This property indicates number of decimal places of cumulative amounts of electric energy (0xE0).	unsigned char	1 byte	—	Get	○		
		0x01 : 0.1kWh 0x02 : 0.01kWh							
Cumulative amounts of electric energy measurement log 1	0xE3	This property indicates cumulative amounts of electric energy (8 digits) measurement result log in 30-minute segments for past 24 hours.	unsigned long × 48	192 bytes	0.1 or 0.01 kWh	Get			
		0x00000000–0x05F5E0FF (0–99,999,999)							
Cumulative amounts of electric energy measurement log 2	0xE4	This property indicates cumulative amounts of electric energy (8 digits) measurement result log for past 24 hours as one-day data in 30-minute segments for the past 45 days.	unsigned long × 48 × 45	192 bytes × 45	0.1 or 0.01 kWh	GetM			
		0x00000000–0x05F5E0FF (0–99,999,999)							

Note: In the “Announcement at status change” column, ○ denotes mandatory processing when the property is implemented.

(1) Operation status (inherited from the device object super class property)

This property indicates whether the function native to this class is operating or not (ON/OFF). In the node mounting this class, if the function of this class is started concurrently with the start of node operation, this property may be implemented at a fixed value of 0x30 (Operation status ON).

(2) Cumulative amounts of electric energy measurement value

This property indicates the cumulative usage of electricity (up to 8 digits in decimal notation). The unit of cumulative usage of electricity is given by the “Cumulative amounts of electric energy unit” property (EPC = 0xE2). The unit shall be 0.1 kWh when the value of the “Cumulative amounts of electric energy unit” property is 0x01

and 0.01 kWh when the value of the “Cumulative amounts of electric energy unit” property is 0x02. The property value range shall be 0x00000000 to 0x05F5E0FF (0 to 99,999,999). When the property value exceeds the upper limit of the property value range, the counter will be reset to 0x00000000 and counting will start again from 0x00000000.

(3) Cumulative amounts of electric energy unit

This property indicates the number of decimal places of the cumulative amounts of electric energy (EPC = 0xE0). When the property value is 0x01, “Cumulative amounts of electric energy” (EPC = 0xE0) shall take the unit of 0.1 kWh. When the property is 0x02, “Cumulative amounts of electric energy” (EPC = 0xE0) shall take the unit of 0.01 kWh.

(4) Cumulative amounts of electric energy measurement log 1

This property indicates the cumulative amounts of electric energy (EPC = 0xE0) measurement result log for the past 24 hours in 30-minute segments. The unit is indicated by the property value of “Cumulative amounts of electric energy unit” (EPC = 0xE2). When “Cumulative amounts of electric energy unit” (EPC = 0xE2) is 0x01, the unit shall be 0.1 kWh. When “Cumulative amounts of electric energy unit” (EPC = 0xE2) is 0x02, the unit shall be 0.01 kWh. The measured value of cumulative amounts of electric energy for each 30 minutes shall be based on the time to be set in the property name “Time setting” (EPC-0x97). The measured value in units of 8 digits at every 0 minutes and 30 minutes shall be the data of 0x00000000 to 0x05F5E0FF (0 to 99,999,999). The property value shall begin with the high-order byte in time series. For time data that is not yet measured for the measurement log, 0xFFFFFFFF shall be used.

(5) Cumulative amounts of electric energy measurement log 2

This property indicates the historical cumulative usage data for the past 45 days in the form of an array with 45 elements, each of which contains the historical cumulative usage data for each day. Each array element has forty-eight 4-byte sub-elements, each of which contains the cumulative usage measurement (i.e. the value of the “cumulative amounts of electric energy” property (EPC = 0xE0)) for each of the forty-eight 30-minute periods of the day (The first 30-minute period of the day starts at 0:00 as indicated by the “current time setting” property (EPC = 0x97) and the last 30-minute period of the day ends at 23:30 as indicated by the “current time setting” property). The unit shall be 0.1 kWh when the value of the “Cumulative amounts of electric energy unit” property (EPC = 0xE2) is 0x01 and 0.01 kWh when the value of the “Cumulative amounts of electric energy unit” property is 0x02. The value range for each sub-element shall be 0x000000 to 0x05F5E0FF (0 to 99,999,999). The historical cumulative usage data shall be arranged in chronological order on both the array element and sub-element levels. If there is any 30-minute period for which measurement does not exist, 0xFFFFFFFF shall be used.

shall be used as the value for that period.

3. 3. 21 Requirements for water flowmeter class

Class group code : 0x02

Class code : 0x81

Instance code : 0x01–0x7F (0x00: All-instance specification code)

Property name	EPC	Contents of property	Data type	Data size	Unit	Access rule	Mandatory	Announcement at status change	Remark
		Value range (decimal notation)							
Operation status	0x80	This property indicates the ON/OFF status.	unsigned char	1 byte	—	Set		○	
		ON=0x30, OFF=0x31				Get			
Water flow meter classification	0xD0	This property indicates the water flowmeter type.	unsigned char	1 byte	—	Set/Get			
		0x30 : running water 0x31 : recycled water 0x32 : sewage water 0x33 : other water							
Owner classification	0xD1	This property indicates the owner of the meter in the form of owner classification.	unsigned char	1 byte	—	Set/Get			
		0x30 : Not specified 0x31 : Public waterworks company 0x32 : Private sector company 0x33 : Individual							
Measured cumulative amount of flowing water	0xE0	This property indicates the cumulative amount (consumption) of flowing water using a 9-digit number.	unsigned long	4 bytes	m ³	Get	○		
		0x00000000–0x3B9AC9FF (0–999,999,999)							
Unit for measured cumulative amounts of flowing water	0xE1	This property indicates the unit (multiplying factor) for the measured cumulative amount of flowing water and the historical data of measured cumulative amounts of flowing water.	unsigned char	1 byte	—	Get	○		
		0x00: 1m ³ 0x01: 0.1m ³ 0x02: 0.01m ³ 0x03: 0.001m ³ 0x04: 0.0001m ³ (Initial value) 0x05: 0.00001m ³ 0x06: 0.000001m ³							
Historical data of measured cumulative amounts of flowing water	0xE2	This property indicates the historical data of measured cumulative amounts (consumptions) of running water, which consists of 48 pieces of half-hourly data for the preceding 24 hours.	unsigned long × 48	192 bytes	0.001 m ³	Get			
		0x00000000–0x3B9AC9FF (0–999,999.999m ³)							

Detection of abnormal value in metering data	0xE3	This property indicates whether the meter has detected an abnormal value in the metering data.	unsigned char	1 byte	—	Get		○	
		Abnormal value detected: 0x41 No abnormal value detected: 0x42							
Security data information	0xE4	Provides security information about the abnormal states detected by the meter in the form of security data that identifies the abnormal states by means of bit assignment.	unsigned long	4 bytes	—	Get			
		0-0xFFFFFFFF							
ID number setting	0xE5	This property indicates the ID number of the meter.	unsigned char	6 bytes		Set/Get			
		The ID number is specified using ASCII code. (Initial value : "000000")							
Verification expiration information	0xE6	This property indicates the month and year in which the verification of the meter will expire.	unsigned char	6 bytes		Set/Get			
		The month and year are specified using ASCII code. <u>XXXX XX</u> Year Month							

Note: In the “Announcement at status change” column, ○ denotes mandatory processing when the property is implemented.

(1) Operation status (a property inherited from the device object super class)

This property indicates whether the functions specific to this class are operating (ON) or not (OFF). In the case of a node in which this class is implemented and the functions specific to this class start operating upon startup of the node, this property may be implemented with the value fixed at 0x30 (operation status ON).

(2) Water flowmeter classification

This property indicates the type of the flowing water being metered in the form of meter classification.

(3) Owner classification

This property indicates the owner of the water flowmeter in the form of owner classification.

(4) Measured cumulative amount of flowing water

This property indicates the measured cumulative amount of running water using a 9-digit decimal notation number. The unit is indicated by the “Unit for measured cumulative amount of running water” property (EPC = 0xE1). When the value of the “Unit for measured cumulative amounts of running water” property (which indicates the multiplying factor for measured cumulative amounts of running water) is 0x00,

0x01, 0x02, 0x03, 0x04, 0x05 or 0x06, the unit shall be 1m³, 0.1m³, 0.01 m³, 0.001 m³, 0.0001 m³, 0.00001 m³ or 0.000001 m³, respectively. The property value range is from 0x00000000 to 3B9AC9FF (from 0 to 99,999,999). In the event of a measured cumulative running water amount overflow, the counting of the measured cumulative amount of running water shall be restarted from 0x00000000.

Example:

If the value of the “Measured cumulative amount of flowing water” property indicates that the measured cumulative amount of running water is 123456789 and the value of the “Unit for measured cumulative amount of flowing water” property is 0x04, the actual measured cumulative amount would be:

$$123456789 \times 0.0001\text{m}^3 = 12345.6789\text{m}^3 \text{ (actual measured cumulative amount)}$$

(5) Unit for measured cumulative amounts of flowing water

This property indicates the unit for measured cumulative amounts of flowing water.

Property value	Multiplying factor for measured cumulative amounts of flowing water
0x00	1m ³
0x01	0.1 m ³
0x02	0.01 m ³
0x03	0.001 m ³
0x04	0.0001 m ³
0x05	0.00001 m ³
0x06	0.000001 m ³

(6) Historical data of measured cumulative amounts of running water

This property indicates the historical data of measured cumulative amounts of running water (unit = 0.001m³), which consists of 48 pieces of half-hourly data for the preceding 24 hours. The half-hourly cumulative running water amount measurements shall be measurements that have been taken, in increments of 0.001 m³, every hour and every half-hour by reference to the time indicated by the “Current time setting” property (EPC = 0x97). The measurements shall be stored in the order they have been taken, with the oldest and newest measurements stored in the highest-order and lowest-order bytes, respectively. The property value range is from 0x00000000 to 0x3B9AC9FF (from 0 to 999,999.999m³). For non-measured time data in the historical data, 0xFFFFFFFF shall be set.

(7) Detection of abnormal value in metering data

This property indicates whether the meter has detected an abnormal value in the metering data. The property value shall be 0x41 when an abnormal value has been detected and 0x42 when no abnormal value has been detected.

(8) Security data information

Provides security information about the abnormal states detected by the meter in the form of security data that identifies the abnormal states by means of bit assignment.

(9) ID number setting

This property indicates the ID number of the meter. The ID number shall be a 6-digit code comprised of 6 one-byte alphanumeric characters.

ID numbers are used when there are two or more meters.

(10) Verification expiration information

When the meter is one that has been verified by a verifying organization, this property indicates the month and year in which the verification of the meter will expire.

3. 3. 22 Requirements for gas meter class

Class group code : 0x02

Class code : 0x82

Instance code : 0x01–0x7F (0x00: All-instance specification code)

Property name	EPC	Contents of property	Data type	Data size	Unit	Access rule	Mandatory	Announcement at status change	Remark
		Value range (decimal notation)							
Operation status	0x80	This property indicates the ON/OFF status.	unsigned char	1 byte	—	Set		○	
		ON=0x30, OFF=0x31				Get			
Cumulative amount of gas consumption measurement value	0xE0	This property indicates cumulative amount of gas consumption in units of 0.001 m ³ .	unsigned long	4 bytes	0.001m ³	Get	○		
		0x00000000–0x3B9AC9FF (0–99999,999m ³)							
Cumulative amount of gas consumption measurement log	0xE2	This property indicates cumulative amount of gas consumption measurement result log for past 24 hours as data in 30-minute segments.	unsigned long × 48	192 bytes	0.001m ³	Get			
		0x00000000–0x3B9AC9FF (0–99999,999m ³)							

Note: In the “Announcement at status change” column, ○ denotes mandatory processing when the property is implemented.

(1) Operation status (inherited from the device object super class property)

This property indicates whether the function native to this class is operating or not (ON/OFF). In the node mounting this class, if the function of this class is started concurrently with the start of node operation, this property may be implemented at a fixed value of 0x30 (Operation status ON).

(2) Cumulative amount of gas consumption measurement value

This property indicates the cumulative amount of gas consumption in units of 0.001 m³. The property value range shall be 0x00000000 to 0x3B9AC9FF (0 to 999,999,999 m³). When the cumulative amount of gas consumption value overflows, the property shall be incremented again from 0x00000000.

(3) Cumulative amount of gas consumption measurement log

This property indicates the Cumulative amount of gas consumption (EPC = 0xE0) measurement result log for the past 24 hours as the data in 30-minute segments. The measured value of cumulative amount of gas consumption for each 30 minutes shall be based on the time to be set in the property name “Current time setting” (EPC-0x97). The measured value in units of 0.1 m³ at every 0 minutes and 30

minutes shall be the data of 0x00000000 to 0x3B9AC9FF (0 to 999,999,999 m³).
The property value shall begin with the high-order byte in time series. For
non-measured time data in the historical data, 0xFFFFFFFF shall be set.

3. 3. 23 Requirements for LP gas meter class

Class group code : 0x02

Class code : 0x83

Instance code : 0x01–0x7F (0x00: All-instance specification code)

Property name	EPC	Contents of property	Data type	Data size	Unit	Access rule	Mandatory	Announcement at status change	Remark
		Value range (decimal notation)							
Operation status	0x80	This property indicates the ON/OFF status.	unsigned char	1 byte	–	Set		○	
		ON=0x30, OFF=0x31				Get			
Cumulative amount of gas consumption of metering data 1	0xE0	This property indicates cumulative amount of gas consumption in units of 0.0001 m ³ .	unsigned long	4 bytes	0.0001 m ³	Get	○		
		0–0x005F5E0FF (0–9999,9999 m ³)							
Cumulative amount of gas consumption of metering data 2	0xE1	This property indicates cumulative amount of gas consumption in units of 0.001 m ³ .	unsigned long	4 bytes	0.001 m ³	Get	○		
		0–0x005F5E0FF (0–9999,999 m ³)							
Error detection status of metering data	0xE2	This property indicates status where meter detected metering data error.	unsigned char	1 byte	–	Get		○	
		Error detection status found = 0x41 Error detection status not found = 0x42							
Security data 1	0xE3	This property indicates security data to define security information on meter operation by bit allocation.	unsigned long	4 bytes	–	Get			
		0–0xFFFFFFFF							
Security data 2	0xE4	This property indicates security data to define security information on meter operation by bit allocation.	unsigned long	4 bytes	–	Get			
		0–0xFFFFFFFF							
Center valve shut-off status	0xE5	This property indicates status where gas shut-off valve of meter has been shut off by center.	unsigned char	1 byte	–	Get		○	
		Center valve shut-off status found = 0x41 Center valve shut-off status not found = 0x42							
Center valve shut-off recovery permission setting status	0xE6	This property indicates status where gas shut-off valve of meter has been shut off by center.	unsigned char	1 byte	–	Get			
		Center valve shut-off reset enable = 0x41 Center valve shut-off reset not enable = 0x42							
Emergency valve shut-off status	0xE7	This property indicates status where gas shut-off valve of meter has been shut off.	unsigned char	1 byte	–	Get			
		Emergency valve shut-off status found = 0x41 Emergency valve shut-off status not found = 0x42							
Shut-off valve open/close status	0xE8	This property indicates open/close status of shut-off valve.	unsigned char	1 byte	–	Get			

		Shut-off valve open status = 0x41 Shut-off valve close status = 0x42							
Residual volume control warning	0xE9	This property indicates status as warning where residual volume is very small.	unsigned char	1 byte	-	Get		○	
		Residual volume control warning level 1 0x31 Residual volume control warning level 2 0x32 Residual volume control warning level 3 0x33 No residual volume control warning 0x42							
Set value of residual volume control warning level 1	0xEA	Sets "Small residual volume detection level 1". 0-0FFFFFF (0-16,777,215)	unsigned char × 3	3 bytes	liter	Set/Get			
Set value of residual volume control warning level 2	0xEB	Sets "Small residual volume detection level 2". 0-0FFFFFF (0-16,777,215)	unsigned char × 3	3 bytes	liter	Set/Get			
Set value of residual volume control warning level 3	0xEC	Sets "Small residual volume detection level 3". 0-0FFFFFF (0-16,777,215)	unsigned char × 3	3 bytes	liter	Set/Get			
Slight leak timer value (gas flow rate continuation)	0xED	This property indicates number of days on which gas flow rate is continued. 0-0xFD (0-253) (0 to 253 days)	unsigned char	1 byte	Day	Get			
Slight leak timer value (without pressure increase)	0xEE	This property indicates number of days on which gas leak monitoring is performed without gas pressure increase. 0-0xFD (0-253) (0 to 253 days)	unsigned char	1 byte	Day	Get			
Shut-off reason log	0xEF	Defines log of reasons for gas shut-off by shut-off valve in 1 byte each with bits assigned. Shows the last three logs. Log 3: log 2: log 1 0xFF: 0xFF: 0xFF	unsigned char × 3	3 bytes	-	Get			
Maximum value of supply pressure data	0xD0	This property indicates maximum value of supply pressure data in units of 0.01 kPa. 0x0000-0xFFFF (0-655.33) (0-655.33 kPa)	unsigned short	2 bytes	0.01 kPa	Get			
Minimum value of supply pressure data	0xD1	This property indicates minimum value of supply pressure data in units of 0.01 kPa. 0x0000-0xFFFF (0-655.33) (0-655.33 kPa)	unsigned short	2 bytes	0.01 kPa	Get			
Current value of supply pressure data	0xD2	This property indicates current value of supply pressure data in units of 0.01 kPa. 0x0000-0xFFFF (0-655.33) (0-655.33 kPa)	unsigned short	2 bytes	0.01 kPa	Get			
Maximum value of block pressure data	0xD3	This property indicates maximum value of block pressure data in units of 0.01 kPa. 0x0000-0xFFFF (0-655.33) (0-655.33 kPa)	unsigned short	2 bytes	0.01 kPa	Get			
Minimum value of block pressure data	0xD4	This property indicates minimum value of block pressure data in units of 0.01 kPa. 0x0000-0xFFFF (0-655.33) (0-655.33 kPa)	unsigned short	2 bytes	0.01 kPa	Get			
Current value of block pressure	0xD5	This property indicates current value of block pressure data in units of 0.01 kPa.	unsigned short	2 bytes	0.01 kPa	Get			

data		0x0000–0xFFFFD (0–655.33) (0–655.33 kPa)							
Number of block pressure/supply pressure error days: times	0xD6	This property indicates number of days on which block pressure/supply pressure errors occurred in 1 byte each.	unsigned char × 4	4 bytes	–	Get			
		Number of block pressure error days: Number of supply pressure error days: Number of block pressure error times: Number of supply pressure error times							
Test call setting	0xD7	Performs test call operation setup.	unsigned char	1 byte	–	Set/Get			
		Test call operation ON 0x41 Test call operation OFF 0x42							

Note: In the “Announcement at status change” column, ○ denotes mandatory processing when the property is implemented.

(1) Operation status (inherited from the device object super class property)

This property indicates whether the LP gas meter is operating or not (ON/OFF). In the node mounting this class, if the function of the LP gas meter is started concurrently with the start of node operation, this property may be implemented at a fixed value of 0x30 (Operation status ON).

(2) Cumulative amount of gas consumption of metering data 1

This property indicates the cumulative amount of gas consumption in units of 0.0001 m³. The property value range shall be 0x00000000 to 0x005F5E0FF (0 to 9999,9999 m³). When the cumulative amount of gas consumption overflows, the property value shall be incremented again from 0x00000000. Either “Cumulative amount of gas consumption of metering data 1” (EPC = 0xE0) or “Cumulative amount of gas consumption of metering data 2” (EPC = 0xE1) must be implemented.

(3) Cumulative amount of gas consumption of metering data 2

This property indicates the cumulative amount of gas consumption in units of 0.001 m³. The property value range shall be 0x00000000 to 0x005F5E0FF (0 to 99999,999 m³). When the cumulative amount of gas consumption overflows, the property value shall be incremented again from 0x00000000. Either “Cumulative amount of gas consumption of metering data 1” (EPC = 0xE0) or “Cumulative amount of gas consumption of metering data 2” (EPC = 0xE1) must be implemented.

(4) Error detection status of metering data

This property indicates that a metering data error was detected. The property shall be 0x41 for “Error detection status found” and 0x42 for “Error detection status not found”.

(5) Security data 1

This property indicates the security data to define the security information on meter error detection by bit allocation.

(6) Security data 2

This property indicates the security data to define the security information on meter error detection by bit allocation.

(7) Center valve shut-off status

This property indicates a status where the gas shut-off valve of the meter is shut off by the center. In the status of “Center valve shut-off request found”, no request for opening the shut-off valve will be accepted until a reset permission is given from the center.

(8) Center valve shut-off recovery permission setting status

Specifies whether or not to enable the function for recovering from the shut-off state of the meter's gas shut-off valve. The value for enabling the center valve shut-off recovery function shall be 0x41. The value for disabling the center valve shut-off recovery function shall be 0x40.

(9) Emergency valve shut-off status

This property indicates that the meter's gas shut-off valve is closed because of an emergency. The value 0x41 shall indicate that the emergency valve shut-off status is found. The value 0x42 shall indicate that the emergency valve shut-off status is not found.

(10) Shut-off valve open/close status

This property indicates whether the shut-off valve is open or closed. The value 0x41 shall indicate that the shut-off valve is open. The value 0x42 shall indicate that the shut-off valve is closed.

(11) Residual volume control warning

Issues a warning to indicate that the residual volume is very small. The value 0x31 indicates residual volume control warning level 1. The value 0x32 indicates residual volume control warning level 2. The value 0x33 indicates residual volume control warning level 3. The value 0x42 indicates that no residual volume control warning is issued. When the residual volume decreases below a residual volume control warning level setting (the property value for the set value of residual volume control warning level 1, set value of residual volume control warning level 2, or set value of residual volume control warning level 3), the associated property value shall be taken as stated above. The residual volumes indicated by the three warning levels

shall be, in decreasing order, the set value of residual volume control warning level 1, set value of residual volume control warning level 2, and set value of residual volume control warning level 3.

- (12) Set value of residual volume control warning level 1
Sets the residual gas volume that changes the value of the residual volume control warning property (0xE9) to residual volume control warning level 1 (0x31). The property value range shall be 0 to 0xFFFFFFFF (0 to 16,777,215 liters).
- (13) Set value of residual volume control warning level 2
Sets the residual gas volume that changes the value of the residual volume control warning property (0xE9) to residual volume control warning level 2 (0x32). The property value range shall be 0 to 0xFFFFFFFF (0 to 16,777,215 liters).
- (14) Set value of residual volume control warning level 3
Sets the residual gas volume that changes the value of the residual volume control warning property (0xE9) to residual volume control warning level 3 (0x33). The property value range shall be 0 to 0xFFFFFFFF (0 to 16,777,215 liters).
- (15) Slight leak timer value (gas flow rate continuation)
This property indicates the number of days for which gas has flowed continuously. The property value range shall be 0 to 0xFD (0 to 253 days).
- (16) Slight leak timer value (without pressure increase)
This property indicates the number of days for which gas leak monitoring has been conducted with no gas pressure increase detected. The property value range shall be 0 to 0xFD (0 to 253 days).
- (17) Shut-off reason log
Defines the log of reasons for gas shut-off by the shut-off valve in 1 byte each, with assigned bits. Shows the last three logs. The property value shall be structured so as to sequentially indicate Log 3, Log 2, and Log 1, beginning with the high-order byte. Log 1 shall be the last log. Log 2 shall be the log obtained immediately before Log 1. Log 3 shall be the log obtained immediately before Log 2.
- (18) Maximum value of supply pressure data
This property indicates the maximum value of supply pressure data in units of 0.01 kPa. The property value range shall be 0x0000 to 0xFFFFD (0 to 655.33 kPa).

- (19) Minimum value of supply pressure data
This property indicates the minimum value of supply pressure data in units of 0.01 kPa. The property value range shall be 0x0000 to 0xFFFFD (0 to 655.33 kPa).
- (20) Current value of supply pressure data
This property indicates the current value of supply pressure data in units of 0.01 kPa. The property value range shall be 0x0000 to 0xFFFFD (0 to 655.33 kPa).
- (21) Maximum value of block pressure data
This property indicates the maximum value of block pressure data in units of 0.01 kPa. The property value range shall be 0x0000 to 0xFFFFD (0 to 655.33 kPa).
- (22) Minimum value of block pressure data
This property indicates the minimum value of block pressure data in units of 0.01 kPa. The property value range shall be 0x0000 to 0xFFFFD (0 to 655.33 kPa).
- (23) Current value of block pressure data
This property indicates the current value of block pressure data in units of 0.01 kPa. The property value range shall be 0x0000 to 0xFFFFD (0 to 655.33 kPa).
- (24) Number of block pressure/supply pressure error days
This property indicates the number of days on which a block pressure/supply pressure error occurred and the number of such error occurrences. One byte each is used for the number of error days and the number of error occurrences. The property value shall be structured so as to sequentially indicate the number of block pressure error days, the number of supply pressure error days, the number of block pressure error occurrences, and the number of supply pressure error occurrences, beginning with the high-order byte.
- (25) Test call setting
Performs test call operation setup. When “Test call operation ON” (0x41) is set for this property, a test call is originated; however, if “Test call operation OFF” (0x42) is set, the test call stops.

3. 3. 24 Requirements for power distribution board metering class

Class group code : 0x02

Class code : 0x87

Instance code : 0x01–0x7F (0x00: All-instance specification code)

Property name	EPC	Contents of property	Data type	Data size	Unit	Access rule	Mandatory	Announcement at status change	Remark
		Value range (decimal notation)							
Operation status	0x80	This property indicates the ON/OFF status.	unsigned char	1 byte	—	Set		○	
		ON = 0x30, OFF = 0x31				Get			
Measured cumulative amount of electric energy (normal direction)	0xC0	This property indicates the measured cumulative amount of electric energy using an 8-digit decimal notation number.	unsigned long	4 bytes	kWh	Get	○		
		0x00000000–0x05F5E0FF (0–99,999,999)							
Measured cumulative amount of electric energy (reverse direction)	0xC1	This property indicates the measured cumulative amount of electric energy using an 8-digit decimal notation number.	unsigned long	4 bytes	kWh	Get	○		
		0x00000000–0x05F5E0FF (0–99,999,999)							
Unit for cumulative amounts of electric energy	0xC2	This property indicates the unit (multiplying factor) used for the measured cumulative amount of electric energy and the historical data of measured cumulative amounts of electric energy.	unsigned char	1 byte	—	Get	○		
		0x00: 1 kWh 0x01: 0.1 kWh 0x02: 0.01 kWh 0x03: 0.001 kWh (Initial value) 0x04: 0.0001 kWh 0x0A: 10 kWh 0x0B: 100 kWh 0x0C: 1000 kWh 0x0D: 10000 kWh							
Historical data of measured cumulative amounts of electric energy (normal direction)	0xC3	This property indicates the day for which the historical data of measured cumulative amounts of electric energy is to be retrieved and the historical data of measured cumulative amounts of electric energy (8 digits), which consists of 48 pieces of half-hourly data for the preceding 24 hours.	unsigned short + unsigned long × 48	194 bytes	kWh	Get			
		0x0000–0x0063 : 0x00000000–0x05F5E0FF (0–99) : (0–99,999,999)							

Historical data of measured cumulative amounts of electric energy (reverse direction)	0xC4	This property indicates the day for which the historical data of measured cumulative amounts of electric energy is to be retrieved and the historical data of measured cumulative amounts of electric energy (8 digits), which consists of 48 pieces of half-hourly data for the preceding 24 hours.	unsigned short + unsigned long × 48	194 bytes	kWh	Get			
		0x0000–0x0063 : 0x00000000–0x05F5E0FF (0–99) : (0–99,999,999)							
Day for which the historical data of measured cumulative amounts of electric energy is to be retrieved	0xC5	This property indicates the day for which the historical data of measured cumulative amounts of electric energy (which consists of 48 pieces of half-hourly data for the preceding 24 hours) is to be retrieved.	unsigned char	1 byte		Set/Get			
		0x00–0x63 (0–99) 0: current day 1–99: previous day–day that precedes the current day by 99 days							
Measured instantaneous amount of electric energy	0xC6	This property indicates the measured effective instantaneous amount of electric energy in watts.	signed long	4 bytes	W	Get			
		0x80000001–0x7FFFFFFD (-2,147,483,647–2,147,483,645)							
Measured instantaneous currents	0xC7	This property indicates the measured effective instantaneous R and T phase currents in amperes. In the case of a single-phase, two-wire system, 0x7FFE shall be used for the T phase.	signed short × 2	4 bytes	0.1 A	Get			
		0x8001-0x7FFD (R phase) : 0x8001-0x7FFD (T phase) (-3,276.7–3,276.5): (-3,276.7–3,276.5)							
Measured instantaneous voltages	0xC8	This property indicates the measured effective instantaneous R-S(N) and S(N)-T voltages in volts. In the case of a single-phase, two-wire system, 0xFFFE shall be used for the S(N)-T voltage.	unsigned short × 2	4 bytes	0.1 V	Get			
		0x0000–0xFFFFD (between R and S(N)) : 0x0000–0xFFFFD (between S(N) and T) (0–6,553.3) : (0–6,553.3)							
Measurement channel 1	0xD0	This property indicates the measurement data for Measurement channel 1 (cumulative amount of electric energy (kWh) and effective instantaneous R and T phase currents (amperes)).	unsigned long + signed short × 2	8 bytes	kWh + 0.1 A × 2	Get			
		Data format for the electric energy: same as 0xC0 Unit: same as 0xC2 Data format for the currents: same as 0xC7							
Measurement channel 2	0xD1	This property indicates the measurement data for Measurement channel 2 (cumulative amount of electric energy (kWh) and effective instantaneous R and T phase currents (amperes)).	unsigned long + signed	8 bytes	kWh + 0.1 A	Get			

		Data format for the electric energy: same as 0xC0 Unit: same as 0xC2 Data format for the currents: same as 0xC7	short × 2		× 2				
Measurement channel 3	0xD2	This property indicates the measurement data for Measurement channel 3 (cumulative amount of electric energy (kWh) and effective instantaneous R and T phase currents (amperes)).	unsigned long + signed short	8 bytes	kWh + 0.1 A × 2	Get			
		Data format for the electric energy: same as 0xC0 Unit: same as 0xC2 Data format for the currents: same as 0xC7	× 2						
Measurement channel 4	0xD3	This property indicates the measurement data for Measurement channel 4 (cumulative amount of electric energy (kWh) and effective instantaneous R and T phase currents (amperes)).	unsigned long + signed short	8 bytes	kWh + 0.1 A × 2	Get			
		Data format for the electric energy: same as 0xC0 Unit: same as 0xC2 Data format for the currents: same as 0xC7	× 2						
Measurement channel 5	0xD4	This property indicates the measurement data for Measurement channel 5 (cumulative amount of electric energy (kWh) and effective instantaneous R and T phase currents (amperes)).	unsigned long + signed short	8 bytes	kWh + 0.1 A × 2	Get			
		Data format for the electric energy: same as 0xC0 Unit: same as 0xC2 Data format for the currents: same as 0xC7	× 2						
Measurement channel 6	0xD5	This property indicates the measurement data for Measurement channel 6 (cumulative amount of electric energy (kWh) and effective instantaneous R and T phase currents (amperes)).	unsigned long + signed short	8 bytes	kWh + 0.1 A × 2	Get			
		Data format for the electric energy: same as 0xC0 Unit: same as 0xC2 Data format for the currents: same as 0xC7	× 2						
Measurement channel 7	0xD6	This property indicates the measurement data for Measurement channel 7 (cumulative amount of electric energy (kWh) and effective instantaneous R and T phase currents (amperes)).	unsigned long + signed short	8 bytes	kWh + 0.1 A × 2	Get			
		Data format for the electric energy: same as 0xC0 Unit: same as 0xC2 Data format for the currents: same as 0xC7	× 2						
Measurement channel 8	0xD7	This property indicates the measurement data for Measurement channel 8 (cumulative amount of electric energy (kWh) and effective instantaneous R and T phase currents (amperes)).	unsigned long + signed short	8 bytes	kWh + 0.1 A × 2	Get			
		Data format for the electric energy: same as 0xC0 Unit: same as 0xC2 Data format for the currents: same as 0xC7	× 2						

Measurement channel 9	0xD8	This property indicates the measurement data for Measurement channel 9 (cumulative amount of electric energy (kWh) and effective instantaneous R and T phase currents (amperes)).	unsigned long + signed short × 2	8 bytes	kWh + 0.1 A × 2	Get			
		Data format for the electric energy: same as 0xC0 Unit: same as 0xC2 Data format for the currents: same as 0xC7							
Measurement channel 10	0xD9	This property indicates the measurement data for Measurement channel 10 (cumulative amount of electric energy (kWh) and effective instantaneous R and T phase currents (amperes)).	unsigned long + signed short × 2	8 bytes	kWh + 0.1 A × 2	Get			
		Data format for the electric energy: same as 0xC0 Unit: same as 0xC2 Data format for the currents: same as 0xC7							
Measurement channel 11	0xDA	This property indicates the measurement data for Measurement channel 11 (cumulative amount of electric energy (kWh) and effective instantaneous R and T phase currents (amperes)).	unsigned long + signed short × 2	8 bytes	kWh + 0.1 A × 2	Get			
		Data format for the electric energy: same as 0xC0 Unit: same as 0xC2 Data format for the currents: same as 0xC7							
Measurement channel 12	0xDB	This property indicates the measurement data for Measurement channel 12 (cumulative amount of electric energy (kWh) and effective instantaneous R and T phase currents (amperes)).	unsigned long + signed short × 2	8 bytes	kWh + 0.1 A × 2	Get			
		Data format for the electric energy: same as 0xC0 Unit: same as 0xC2 Data format for the currents: same as 0xC7							
Measurement channel 13	0xDC	This property indicates the measurement data for Measurement channel 13 (cumulative amount of electric energy (kWh) and effective instantaneous R and T phase currents (amperes)).	unsigned long + signed short × 2	8 bytes	kWh + 0.1 A × 2	Get			
		Data format for the electric energy: same as 0xC0 Unit: same as 0xC2 Data format for the currents: same as 0xC7							
Measurement channel 14	0xDD	This property indicates the measurement data for Measurement channel 14 (cumulative amount of electric energy (kWh) and effective instantaneous R and T phase currents (amperes)).	unsigned long + signed short × 2	8 bytes	kWh + 0.1 A × 2	Get			
		Data format for the electric energy: same as 0xC0 Unit: same as 0xC2 Data format for the currents: same as 0xC7							
Measurement channel 15	0xDE	This property indicates the measurement data for Measurement channel 15 (cumulative amount of electric energy (kWh) and effective instantaneous R and T phase currents (amperes)).	unsigned long + signed	8 bytes	kWh + 0.1 A	Get			

		Data format for the electric energy: same as 0xC0 Unit: same as 0xC2 Data format for the currents: same as 0xC7	short × 2		× 2				
Measurement channel 16	0xDF	This property indicates the measurement data for Measurement channel 16 (cumulative amount of electric energy (kWh) and effective instantaneous R and T phase currents (amperes)).	unsigned long + signed short	8 bytes	kWh + 0.1 A × 2	Get			
		Data format for the electric energy: same as 0xC0 Unit: same as 0xC2 Data format for the currents: same as 0xC7	× 2						
Measurement channel 17	0xE0	This property indicates the measurement data for Measurement channel 17 (cumulative amount of electric energy (kWh) and effective instantaneous R and T phase currents (amperes)).	unsigned long + signed short	8 bytes	kWh + 0.1 A × 2	Get			
		Data format for the electric energy: same as 0xC0 Unit: same as 0xC2 Data format for the currents: same as 0xC7	× 2						
Measurement channel 18	0xE1	This property indicates the measurement data for Measurement channel 18 (cumulative amount of electric energy (kWh) and effective instantaneous R and T phase currents (amperes)).	unsigned long + signed short	8 bytes	kWh + 0.1 A × 2	Get			
		Data format for the electric energy: same as 0xC0 Unit: same as 0xC2 Data format for the currents: same as 0xC7	× 2						
Measurement channel 19	0xE2	This property indicates the measurement data for Measurement channel 19 (cumulative amount of electric energy (kWh) and effective instantaneous R and T phase currents (amperes)).	unsigned long + signed short	8 bytes	kWh + 0.1 A × 2	Get			
		Data format for the electric energy: same as 0xC0 Unit: same as 0xC2 Data format for the currents: same as 0xC7	× 2						
Measurement channel 20	0xE3	This property indicates the measurement data for Measurement channel 20 (cumulative amount of electric energy (kWh) and effective instantaneous R and T phase currents (amperes)).	unsigned long + signed short	8 bytes	kWh + 0.1 A × 2	Get			
		Data format for the electric energy: same as 0xC0 Unit: same as 0xC2 Data format for the currents: same as 0xC7	× 2						
Measurement channel 21	0xE4	This property indicates the measurement data for Measurement channel 21 (cumulative amount of electric energy (kWh) and effective instantaneous R and T phase currents (amperes)).	unsigned long + signed short	8 bytes	kWh + 0.1 A × 2	Get			
		Data format for the electric energy: same as 0xC0 Unit: same as 0xC2 Data format for the currents: same as 0xC7	× 2						

Measurement channel 22	0xE5	This property indicates the measurement data for Measurement channel 22 (cumulative amount of electric energy (kWh) and effective instantaneous R and T phase currents (amperes)).	unsigned long + signed short × 2	8 bytes	kWh + 0.1 A × 2	Get			
		Data format for the electric energy: same as 0xC0 Unit: same as 0xC2 Data format for the currents: same as 0xC7							
Measurement channel 23	0xE6	This property indicates the measurement data for Measurement channel 23 (cumulative amount of electric energy (kWh) and effective instantaneous R and T phase currents (amperes)).	unsigned long + signed short × 2	8 bytes	kWh + 0.1 A × 2	Get			
		Data format for the electric energy: same as 0xC0 Unit: same as 0xC2 Data format for the currents: same as 0xC7							
Measurement channel 24	0xE7	This property indicates the measurement data for Measurement channel 24 (cumulative amount of electric energy (kWh) and effective instantaneous R and T phase currents (amperes)).	unsigned long + signed short × 2	8 bytes	kWh + 0.1 A × 2	Get			
		Data format for the electric energy: same as 0xC0 Unit: same as 0xC2 Data format for the currents: same as 0xC7							
Measurement channel 25	0xE8	This property indicates the measurement data for Measurement channel 25 (cumulative amount of electric energy (kWh) and effective instantaneous R and T phase currents (amperes)).	unsigned long + signed short × 2	8 bytes	kWh + 0.1 A × 2	Get			
		Data format for the electric energy: same as 0xC0 Unit: same as 0xC2 Data format for the currents: same as 0xC7							
Measurement channel 26	0xE9	This property indicates the measurement data for Measurement channel 26 (cumulative amount of electric energy (kWh) and effective instantaneous R and T phase currents (amperes)).	unsigned long + signed short × 2	8 bytes	kWh + 0.1 A × 2	Get			
		Data format for the electric energy: same as 0xC0 Unit: same as 0xC2 Data format for the currents: same as 0xC7							
Measurement channel 27	0xEA	This property indicates the measurement data for Measurement channel 27 (cumulative amount of electric energy (kWh) and effective instantaneous R and T phase currents (amperes)).	unsigned long + signed short × 2	8 bytes	kWh + 0.1 A × 2	Get			
		Data format for the electric energy: same as 0xC0 Unit: same as 0xC2 Data format for the currents: same as 0xC7							
Measurement channel 28	0xEB	This property indicates the measurement data for Measurement channel 28 (cumulative amount of electric energy (kWh) and effective instantaneous R and T phase currents (amperes)).	unsigned long + signed	8 bytes	kWh + 0.1 A	Get			

		Data format for the electric energy: same as 0xC0 Unit: same as 0xC2 Data format for the currents: same as 0xC7	short × 2		× 2				
Measurement channel 29	0xEC	This property indicates the measurement data for Measurement channel 29 (cumulative amount of electric energy (kWh) and effective instantaneous R and T phase currents (amperes)).	unsigned long + signed short	8 bytes	kWh + 0.1 A × 2	Get			
		Data format for the electric energy: same as 0xC0 Unit: same as 0xC2 Data format for the currents: same as 0xC7	× 2						
Measurement channel 30	0xED	This property indicates the measurement data for Measurement channel 30 (cumulative amount of electric energy (kWh) and effective instantaneous R and T phase currents (amperes)).	unsigned long + signed short	8 bytes	kWh + 0.1 A × 2	Get			
		Data format for the electric energy: same as 0xC0 Unit: same as 0xC2 Data format for the currents: same as 0xC7	× 2						
Measurement channel 31	0xEE	This property indicates the measurement data for Measurement channel 31 (cumulative amount of electric energy (kWh) and effective instantaneous R and T phase currents (amperes)).	unsigned long + signed short	8 bytes	kWh + 0.1 A × 2	Get			
		Data format for the electric energy: same as 0xC0 Unit: same as 0xC2 Data format for the currents: same as 0xC7	× 2						
Measurement channel 32	0xEF	This property indicates the measurement data for Measurement channel 32 (cumulative amount of electric energy (kWh) and effective instantaneous R and T phase currents (amperes)).	unsigned long + signed short	8 bytes	kWh + 0.1 A × 2	Get			
		Data format for the electric energy: same as 0xC0 Unit: same as 0xC2 Data format for the currents: same as 0xC7	× 2						
Master rated capacity	0xB0	This property indicates the rated capacity of the master circuit.	unsigned char	1 byte	A	Get			
		0x00–0xFD							
Number of measurement channels (simplex)	0xB1	This property indicates the number of simplex measurement channels.	unsigned char	1 byte	—	Get			
		0x01–0xFC (1–252) 0xFD: Unknown							
Channel range specification for cumulative amount of electric power consumption measurement (simplex)	0xB2	This property is used to specify the range of acquisition by the measured cumulative amount of electric power consumption list (simplex).	unsigned char × 2	2 bytes	—	Set/Get			
		Byte 1: Acquisition start channel 0x01–0xFC (1–252) Byte 2: Range from the acquisition start channel (0x01–0x3C: 1–60)							

Measured cumulative amount of electric power consumption list (simplex)	0xB3	This property indicates the measured cumulative amount of electric power consumption of a measurement channel specified by the property of “Channel range specification for cumulative amount of electric power consumption measurement (simplex).”	unsigned char + unsigned char +	(Max) 242 bytes	kWh	Get			
		Byte 1: Acquisition start channel 0x01–0xFC (1–252) Byte 2: Range from the acquisition start channel (0x01–0x3C: 1–60) Byte 3 and later: Measured cumulative amount of electric power consumption 0x00000000–0x05F5E0FF (0–99,999,999) The unit shall follow EPC = 0xC2.	(unsigned long) (Max) × 60)						
Channel range specification for instantaneous current measurement (simplex)	0xB4	This property is used to specify the range of acquisition by the measured instantaneous current list (simplex).	unsigned char × 2	2 bytes	—	Set/Get			
		Byte 1: Acquisition start channel 0x01–0xFC (1–252) Byte 2: Range from the acquisition start channel (0x01–0x3C: 1–60)							
Measured instantaneous current list (simplex)	0xB5	This property indicates the measured instantaneous current of a measurement channel specified by the property of “Channel range specification for instantaneous current measurement (simplex).”	unsigned char + unsigned char +	(Max) 242 bytes	0.1 A	Get			
		Byte 1: Acquisition start channel 0x01–0xFC (1–252) Byte 2: Range from the acquisition start channel (0x01–0x3C: 1–60) Byte 3 and later: Measured instantaneous current 0x8001–0x7FFD (R phase): 0x8001–0x7FFD (T phase) (-3,276.7–3,276.5): (-3,276.7–3,276.5)	(signed short × 2) (Max) × 60)						
Channel range specification for instantaneous power consumption measurement (simplex)	0xB6	This property is used to specify the range of acquisition by the measured instantaneous power consumption list (simplex).	unsigned char × 2	2 bytes	—	Set/Get			
		Byte 1: Acquisition start channel 0x01–0xFC (1–252) Byte 2: Range from the acquisition start channel (0x01–0x3C: 1–60)							
Measured instantaneous power consumption list (simplex)	0xB7	This property indicates the measured instantaneous power consumption of a measurement channel specified by the property of “Channel range specification for instantaneous power consumption measurement (simplex).”	unsigned char + unsigned	(Max) 242 bytes	W	Get			

		Byte 1: Acquisition start channel 0x01-0xFC (1-252) Byte 2: Range from the acquisition start channel (0x01-0x3C: 1-60) Byte 3 and later: Measured instantaneous power consumption 0x80000001-0x7FFFFFFD (-2,147,483,647-2,147,483,645)	char + (signed long (Max) × 60)						
Number of measurement channels (duplex)	0xB8	This property indicates the number of duplex measurement channels.	unsigned char	1 byte	-	Get			
		0x01-0xFC (1-252) 0xFD: Unknown							
Channel range specification for cumulative amount of electric power consumption measurement (duplex)	0xB9	This property is used to specify the range of acquisition by the measured cumulative amount of electric power consumption list (duplex).	unsigned char × 2	2 bytes	-	Set/Get			
		Byte 1: Acquisition start channel 0x01-0xFC (1-252) Byte 2: Range from the acquisition start channel (0x01-0x1E: 1-30)							
Measured cumulative amount of electric power consumption list (duplex)	0xBA	This property indicates the measured cumulative amount of electric power consumption of a measurement channel specified by the property of "Channel range specification for cumulative amount of electric power consumption measurement (duplex)."	unsigned char + unsigned char + (unsigned long + unsigned long (Max) × 30)	(Max) 242 bytes	kWh	Get			
		Byte 1: Acquisition start channel 0x01-0xFC (1-252) Byte 2: Range from the acquisition start channel (0x01-0x1E: 1-30) Byte 3 and later: Measured cumulative amount of electric power consumption (forward direction) 0x00000000-0x05F5E0FF (0-99,999,999) Measured cumulative amount of electric power consumption (reverse direction) 0x00000000-0x05F5E0FF (0-99,999,999) The unit shall follow EPC = 0xC2.							
Channel range specification for instantaneous current measurement (duplex)	0xBB	This property is used to specify the range of acquisition by the measured instantaneous current list (duplex).	unsigned char × 2	2 bytes	-	Set/Get			
		Byte 1: Acquisition start channel 0x01-0xFC (1-252) Byte 2: Range from the acquisition start channel (0x01-0x3C: 1-60)							
Measured instantaneous current list (duplex)	0xBC	This property indicates the measured instantaneous current of a measurement channel specified by the property of "Channel range specification for instantaneous current measurement (duplex)."	unsigned char + unsigned	(Max) 242 bytes	0.1 A	Get			

		Byte 1: Acquisition start channel 0x01–0xFC (1–252) Byte 2: Range from the acquisition start channel (0x01–0x3C: 1–60) Byte 3 and later: Measured instantaneous current 0x8001–0x7FFD (R phase): 0x8001–0x7FFD (T phase) (-3,276.7–3,276.5): (-3,276.7– 3,276.5)	char + (signed short × 2 (Max) × 60)						
Channel range specification for instantaneous power consumption measurement (duplex)	0xBD	This property is used to specify the range of acquisition by the measured instantaneous power consumption list (duplex).	unsigned char × 2	2 bytes	–	Set/Get			
		Byte 1: Acquisition start channel 0x01–0xFC (1–252) Byte 2: Range from the acquisition start channel (0x01–0x3C: 1–60)							
Measured instantaneous power consumption list (duplex)	0xBE	This property indicates the measured instantaneous power consumption of a measurement channel specified by the property of “Channel range specification for instantaneous power consumption measurement (duplex).”	unsigned char + unsigned char + (signed long (Max) × 60)	(Max) 242 bytes	W	Get			
		Byte 1: Acquisition start channel 0x01–0xFC (1–252) Byte 2: Range from the acquisition start channel (0x01–0x3C: 1–60) Byte 3 and later: Measured instantaneous power consumption 0x80000001–0x7FFFFFFD (-2,147,483,647–2,147,483,645)							

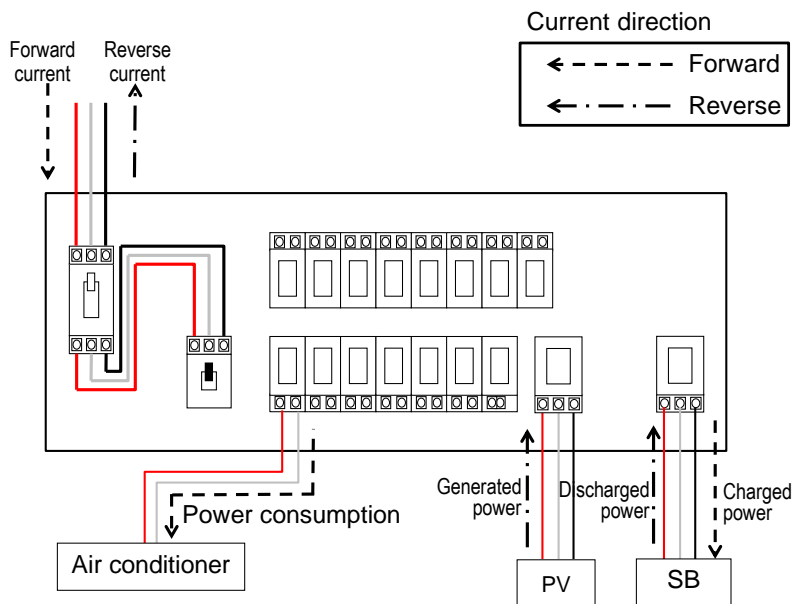
Note: In the “Announcement at status change” column, ○ denotes mandatory processing when the property is implemented.

Forward and reverse directions are defined with reference to the figure below.

For master metering, forward current is defined as forward direction, and reverse current as reverse direction. Power consumption by air conditioning or lighting is defined as forward direction. Power generation by photovoltaic generator (PV), fuel cell (FC), or similar solar photovoltaic power generation system is defined as reverse direction. For storage battery (SB), electric vehicle (EV/EHV), or similar battery system, charged energy is defined as forward direction, and discharged energy as reverse direction.

For the properties defined in this class to indicate measured instantaneous current and measured instantaneous power consumption, forward direction shall be handled as a positive value, and reverse direction as a negative value.

If electric power under measurement is identifiable, such as generated or discharged power, a measured value in the reverse direction may be handled as a positive value. For example, if PV measurement is implemented as an independent instance code of the power distribution board metering class, generated power may be defined as forward direction.



As to the definition of simplex and duplex, a property defined as duplex can be used for installation where both charged and discharged currents can be detected, for example, in SB. In addition, a property defined as simplex by separating charging and discharging may be used for implementation. The assignment of simplex and duplex properties to circuits shall depend on the implementation because it differs between the measuring points and sensors or systems installed.

(9) Operation status (a property inherited from the device object super class)

This property indicates whether the functions specific to this class are operating (ON) or not (OFF). In the case of a node in which this class is implemented and the functions specific to this class start operating upon startup of the node, this property may be implemented with the value fixed at 0x30 (operation status ON).

(10) Measured cumulative amount of electric energy (normal and reverse directions)

This property indicates the measured cumulative amount of electric energy using an 8-digit decimal notation number. The property value for the normal direction is the value for the power flow, and the property value for the reverse direction is the value for the reverse power flow. The unit is indicated by the “Unit for measured cumulative amounts of electric energy” property (EPC = 0xC1). When the value of the “Unit for measured cumulative amounts of electric energy” property (which indicates the multiplying factor for measured cumulative amounts of electric energy) is 0x00, 0x01, 0x02, 0x03, 0x04, 0x0A, 0x0B, 0x0C or 0x0D, the unit shall be 1 kWh, 0.1 kWh, 0.01 kWh, 0.001 kWh, 0.0001 kWh, 10 kWh, 100 kWh, 1000 kWh

or 10000 kWh, respectively. The property value range is from 0x00000000 to 0x05F5E0FF (from 0 to 99,999,999). In the event of a measured cumulative electric energy amount overflow, the counting of the measured cumulative amount of electric energy shall be restarted from 0x00000000.

Example:

If the value of the “Measured cumulative amount of electric energy” property indicates that the measured cumulative amount of electric energy is 12345678 and the value of the “Unit for measured cumulative amounts of electric energy” property is 0x03, the actual measured cumulative amount would be:

$$12345678 \times 0.001 \text{ kW} = 12345.678 \text{ kWh}$$

Overflow : Counting shall be restarted from 0x00000000.

No data : 0xFFFFFFFFE

(11) Unit for measured cumulative amounts of electric energy

This property indicates the unit for measured cumulative amounts of electric energy (EPC = 0xC0, 0xC1).

Property value	Unit (multiplying factor) for measured cumulative amounts of electric energy
0x00	1 kWh
0x01	0.1 kWh
0x02	0.01 kWh
0x03	0.001 kWh
0x04	0.0001 kWh
0x0A	10 kWh
0x0B	100 kWh
0x0C	1000 kWh
0x0D	10000 kWh

(12) Historical data of measured cumulative amounts of electric energy (normal and reverse directions)

This property indicates the current setting of the “Day for which the historical data of measured cumulative amounts of electric energy is to be retrieved” property (EPC = 0xC5; value range = 0x00–0x63 (0–99)) and the historical data of measured cumulative amounts of electric energy for the day specified by the “Day for which the historical data of measured cumulative amounts of electric energy is to be retrieved” property, which consists of 48 pieces of half-hourly data for the preceding 24 hours. The unit is indicated by the “Unit for measured cumulative amounts of electric energy” property. When the value of the “Unit for measured cumulative

amounts of electric energy” property is 0x00, 0x01, 0x02, 0x03, 0x04, 0x0A, 0x0B, 0x0C or 0x0D, the unit shall be 1 kWh, 0.1 kWh, 0.01 kWh, 0.001 kWh, 0.0001 kWh, 10 kWh, 100 kWh, 1000 kWh or 10000 kWh, respectively. The half-hourly cumulative electric energy amount measurements shall be measurements that have been taken every hour and every half-hour by reference to the time specified by the “Current time setting” property (EPC = 0x97). The (8-digit) measurements (these are the measurements from the meter, not the cumulated amounts for the 30-minute periods) shall be stored in the order they have been taken, with the oldest and newest measurements stored in the highest-order and lowest-order bytes, respectively. The value range is from 0x00000000 to 0x05F5E0FF (from 0 to 99,999,999). For the hours and half hours at which the amount of electric energy was not measured, 0xFFFFFFFFE shall be used as the historical data value.

- (13)Day for which the historical data of measured cumulative amounts of electric energy is to be retrieved (normal and reverse directions)

Specifies the day for which the historical data of measured cumulative amounts of electric energy (EPC = 0xC3, C4) is to be retrieved. The value range is from 0x00 to 0x63 (from 0 to 99).

0x00 (0): historical data for the current day (up to the last hour)

0x63 (99): historical data for the day that precedes the current day by 99 days

When there is no data for the specified day, the “Day for which the historical data of measured cumulative amounts of electric energy is to be retrieved” setting of the “Historical data of measured cumulative amounts of electric energy” property shall be set to 0xFF and all half-hourly value settings shall be set to 0xFFFFFFFFE.

- (14)Measured instantaneous amount of electric energy

This property indicates the measured effective instantaneous amount of electric energy in watts. The value range is from 0x80000001 to 0x7FFFFFFD (from -2147483647 to 2147483645).

Value range: from -2,147,483,647 to 2,147,483,645W (unit of measurement: watts)

*Underflow : 0x80000000

Overflow : 0x7FFFFFFF

No data : 0x7FFFFFFE

- (15)Measured instantaneous currents

This property indicates the measured effective instantaneous R and T phase currents in increments of 0.1A. The value range is from 0x8001 to 0x7FFD (from -3276.7 to 3276.5).

(In the case of a single-phase, two-wire system, the data shall be stored in the R phase field and 0x7FFE shall be set in the T phase field.)

Range: from -3276.7 to 3276.5A (unit of measurement: 0.1A)

Example:

single-phase, three-wire system: 0x03E9 0x03E7 → 100.1,099.9 (A)

single-phase, two-wire system: 0xFC19 0x7FFE → -99.9 not measured (A)

*Underflow : 0x8000

Overflow : 0x7FFF

No data : 0x7FFE

(16) Measured instantaneous voltages

This property indicates the measured effective instantaneous R-S(N) and S(N)-T voltages in volts. The value range is from 0x0000 to 0xFFFFD (from 0 to 6553.3).

(In the case of a single-phase, two-wire system, the data shall be stored in the R-S(N) field and 0xFFFE shall be set in the S(N)-T field.)

Range: from 0.0 to 6553.3V (unit of measurement: 0.1V)

Example:

single-phase, three-wire system: 0x0451 0x03E7 → 110.5 099.9 (V)

single-phase, two-wire system: 0x03E7 0xFFFFE → 99.9 not measured (V)

*Overflow : 0xFFFF

No data : 0xFFFE

(17) Measurement channels 1 to 32

This property indicates the cumulative amount of electric energy (in kWh) and effective instantaneous currents (in increments of 0.1A) for the respective measurement channel (each EPC code).

The data format for the cumulative amount of electric energy is the same as that for the “Measured cumulative amount of electric energy” property (0xC0). The format for the effective instantaneous currents is the same as that for the “Measured instantaneous currents” property (0xC7). The unit for the cumulative amount of electric energy is the same as that for the “Unit for cumulative amounts of electric energy” property (0xC2).

* The voltage values shall be taken from 0xC8.

(18) Master rated capacity

This property indicates the rated capacity of the master circuit. The value range for this property is 0x00 to 0xFD (0 to 253) and the unit is A.

(19) Number of measurement channels (simplex)

This property indicates the number of channels for simplex current and power

consumption measurement. The channels are for the measurement of instantaneous current consumption, cumulative amount of electric power consumption, and instantaneous power consumption about load equipment (air conditioner, washing machine, etc.). They are also for the measurement of instantaneous generated current, amount of generated power, and instantaneous power generation about power generation equipment (solar photovoltaic generation, etc.).

The value range for this property is 0x01 to 0xFC (1 to 252). 0xFD means that the number of measurement channels is unknown.

The number of channels defined by this property refers to the number of measurement channels indicated by EPC = 0xB2 to 0xB7.

(20) Channel range specification for cumulative amount of electric power consumption measurement (simplex)

This property indicates the range of measurement channels to be acquired by the “measured cumulative amount of electric power consumption list (simplex)” property (EPC: 0xB3).

Byte 1 indicates the measurement channel at which to start acquisition. The value range for this property is 0x01 to 0xFC (1 to 252). Byte 2 indicates the range of acquisition from the acquisition start measurement channel. The value range is 0x01 to 0x3C (1 to 60).

The initial value of this property is 0xFD (no setting) for the acquisition start measurement channel and 0xFD (no setting) for the range from the acquisition start measurement channel.

When this property is installed, the “number of measurement channels (simplex)” property (EPC: 0xB1) and the “measured cumulative amount of electric power consumption list (simplex)” property (EPC: 0xB3) are mandatory.

The value of this property is not updated when a property value write request is made by specifying a range beyond the number of measurement channels indicated by the “number of measurement channels (simplex)” property (EPC: 0xB1).

(21) Measured cumulative amount of electric power consumption list (simplex)

This property indicates the measured cumulative amount of electric power consumption of measurement channels in the range specified by the “channel range specification for cumulative amount of electric power consumption measurement (simplex)” property (EPC: 0xB2).

Byte 1 indicates the measurement channel at which to start acquisition. The value

range is 0x01 to 0xFC (1 to 252). Byte 2 indicates the range of acquisition from the acquisition start measurement channel. The value range is 0x01 to 0x3C (1 to 60). Starting from the acquisition start measurement channel, measured cumulative amount of electric power consumption is stored sequentially in Byte 3 and later for the number of channels specified in the acquisition range. The format is the same as for the “measured cumulative amount of electric power consumption (forward direction)” property (EPC: 0xC0) and the “measured cumulative amount of electric power consumption (reverse direction)” property (EPC: 0xC1).

The initial value of this property is 0xFD (no setting) for the acquisition start measurement channel, 0xFD (no setting) for the range from the acquisition start measurement channel, and 0xFFFFFFFF (no data) for the measured cumulative amount of electric power consumption (initial value: 0xFDFDFFFFFFFFFE).

When this property is installed, the “number of measurement channels (simplex)” property (EPC: 0xB1) and the “channel range specification for cumulative amount of electric power consumption measurement (simplex)” property (EPC: 0xB2) are mandatory.

(22) Channel range specification for instantaneous current measurement (simplex)

This property indicates the range of measurement channels to be acquired by the “measured instantaneous current list (simplex)” property (EPC: 0xB5).

Byte 1 indicates the measurement channel at which to start acquisition. The value range is 0x01 to 0xFC (1 to 252). Byte 2 indicates the range of acquisition from the acquisition start measurement channel. The value range is 0x01 to 0x3C (1 to 60).

The initial value of this property is 0xFD (no setting) for the acquisition start channel and 0xFD (no setting) for the range from the acquisition start measurement channel.

When this property is installed, the “number of measurement channels (simplex)” property (EPC: 0xB1) and the “measured instantaneous current list (simplex)” property (EPC: 0xB5) are mandatory.

The value of this property is not updated when a property value write request is made by specifying a range beyond the number of measurement channels indicated by the “number of measurement channels (simplex)” property (EPC: 0xB1).

(23) Measured instantaneous current list (simplex)

This property indicates the measured instantaneous current of measurement channels in the range specified by the “channel range specification for instantaneous current measurement (simplex)” property (EPC: 0xB4).

Byte 1 indicates the measurement channel at which to start acquisition. The value range is 0x01 to 0xFC (1 to 252). Byte 2 indicates the range of acquisition from the acquisition start measurement channel. The value range is 0x01 to 0x3C (1 to 60).

Starting from the acquisition start measurement channel, measured instantaneous current is stored sequentially in Byte 3 and later for the number of channels specified in the acquisition range. The format is the same as for the “measured instantaneous current” property (EPC: 0xC7).

The initial value of this property is 0xFD (no setting) for the acquisition start measurement channel, 0xFD (no setting) for the range from the acquisition start measurement channel, and 0x7FFE7FFE (no data) for the measured instantaneous current (R and T phases) (initial value: 0xFDFD7FFE7FFE).

When this property is installed, the “number of measurement channels (simplex)” property (EPC: 0xB1) and the “channel range specification for instantaneous current measurement (simplex)” property (EPC: 0xB4) are mandatory.

(24) Channel range specification for instantaneous power consumption measurement (simplex)

This property indicates the range of measurement channels to be acquired by the “measured instantaneous power consumption list (simplex)” property (EPC: 0xB5).

Byte 1 indicates the measurement channel at which to start acquisition. The value range is 0x01 to 0xFC (1 to 252). Byte 2 indicates the range of acquisition from the acquisition start measurement channel. The value range is 0x01 to 0x3C (1 to 60).

The initial value of this property is 0xFD (no setting) for the acquisition start measurement channel and 0xFD (no setting) for the range from the acquisition start measurement channel.

When this property is installed, the “number of measurement channels (simplex)” property (EPC: 0xB1) and the “measured instantaneous power consumption list (simplex)” property (EPC: 0xB7) are mandatory.

The value of this property is not updated when a property value write request is made by specifying a range beyond the number of measurement channels indicated by the “number of measurement channels (simplex)” property (EPC: 0xB1).

(25) Measured instantaneous power consumption list (simplex)

This property indicates the measured instantaneous power consumption of measurement channels in the range specified by the “channel range specification for instantaneous power consumption measurement (simplex)” property (EPC: 0xB6).

Byte 1 indicates the measurement channel at which to start acquisition. The value range is 0x01 to 0xFC (1 to 252). Byte 2 indicates the range of acquisition from the acquisition start measurement channel. The value range is 0x01 to 0x3C (1 to 60).

Starting from the acquisition start measurement channel, measured instantaneous power consumption is stored sequentially in Byte 3 and later for the number of channels specified in the acquisition range. The format is the same as for the “measured instantaneous power consumption” property (EPC: 0xC6).

The initial value of this property is 0xFD (no setting) for the acquisition start measurement channel, 0xFD (no setting) for the range from the acquisition start measurement channel, and 0x7FFFFFFE (no data) for the measured instantaneous power consumption (initial value: 0xFDFD7FFFFFFE).

When this property is installed, the “number of measurement channels (simplex)” property (EPC: 0xB1) and the “channel range specification for instantaneous power consumption measurement (simplex)” property (EPC: 0xB6) are mandatory.

(26)Number of measurement channels (duplex)

This property indicates the number of channels for duplex current and power consumption measurement. The channels are for the measurement of cumulative amount of electric power consumption (forward direction)/(reverse direction), instantaneous current, and instantaneous power consumption for charging and discharging equipment, such as storage battery, EV, and PHV. The value range for this property is 0x01 to 0xFC (1 to 252). 0xFD means that the number of measurement channels is unknown.

The number of channels defined by this property refers to the number of measurement channels indicated by EPC = 0xB9 to 0xBE.

(27)Channel range specification for cumulative amount of electric power consumption measurement (duplex)

This property indicates the range of measurement channels to be acquired by the “measured cumulative amount of electric power consumption list (duplex)” property (EPC: 0xBA).

Byte 1 indicates the measurement channel at which to start acquisition. The value range is 0x01 to 0xFC (1 to 252). Byte 2 indicates the range of acquisition from the acquisition start measurement channel. The value range is 0x01 to 0x1E (1 to 30).

The initial value of this property is 0xFD (no setting) for the acquisition start measurement channel and 0xFD (no setting) for the range from the acquisition start

measurement channel.

When this property is installed, the “number of measurement channels (duplex)” property (EPC: 0xB8) and the “measured cumulative amount of electric power consumption list (duplex)” property (EPC: 0xBA) are mandatory.

The value of this property is not updated when a property value write request is made by specifying a range beyond the number of measurement channels indicated by the “number of measurement channels (duplex)” property (EPC: 0xB8).

(28) Measured cumulative amount of electric power consumption list (duplex)

This property indicates the measured cumulative amount of electric power consumption of measurement channels in the range specified by the “channel range specification for cumulative amount of electric power consumption measurement (duplex)” property (EPC: 0xB9).

Byte 1 indicates the measurement channel at which to start acquisition. The value range is 0x01 to 0xFC (1 to 252). Byte 2 indicates the range of acquisition from the acquisition start measurement channel. The value range is 0x01 to 0x1E (1 to 30).

Starting from the acquisition start measurement channel, measured cumulative amount of electric power consumption (forward direction) and measured cumulative amount of electric power consumption (reverse direction) are stored sequentially in Byte 3 and later for the number of channels specified in the acquisition range. The format is the same as for the “measured cumulative amount of electric power consumption (forward direction)” property (EPC: 0xC0) and the “measured cumulative amount of electric power consumption (reverse direction)” property (EPC: 0xC1).

The initial value of this property is 0xFD (no setting) for the acquisition start measurement channel, 0xFD (no setting) for the range from the acquisition start measurement channel, and 0xFFFFFFFFFFFFFFFF (no data) for the measured cumulative amount of electric power consumption (initial value: 0xFDFDFFFFFFFFFFFFFFFF).

When this property is installed, the “number of measurement channels (duplex)” property (EPC: 0xB8) and the “channel range specification for cumulative amount of electric power consumption measurement (duplex)” property (EPC: 0xB9) are mandatory.

(29) Channel range specification for instantaneous current measurement (duplex)

This property indicates the range of measurement channels to be acquired by the

“measured instantaneous current list (duplex)” property (EPC: 0xBC).

Byte 1 indicates the measurement channel at which to start acquisition. The value range is 0x01 to 0xFC (1 to 252). Byte 2 indicates the range of acquisition from the acquisition start measurement channel. The value range is 0x01 to 0x3C (1 to 60).

The initial value of this property is 0xFD (no setting) for the acquisition start measurement channel and 0xFD (no setting) for the range from the acquisition start measurement channel.

When this property is installed, the “number of measurement channels (duplex)” property (EPC: 0xB8) and the “measured instantaneous current list (duplex)” property (EPC: 0xBC) are mandatory.

The value of this property is not updated when a property value write request is made by specifying a range beyond the number of measurement channels indicated by the “number of measurement channels (duplex)” property (EPC: 0xB8).

(30) Measured instantaneous current list (duplex)

This property indicates the measured instantaneous current of measurement channels in the range specified by the “channel range specification for instantaneous current measurement (duplex)” property (EPC: 0xBB).

Byte 1 indicates the measurement channel at which to start acquisition. The value range for this property is 0x01 to 0xFC (1 to 252). Byte 2 indicates the range of acquisition from the acquisition start measurement channel. The value range is 0x01 to 0x3C (1 to 60).

Starting from the acquisition start measurement channel, measured instantaneous current is stored sequentially in Byte 3 and later for the number of channels specified in the acquisition range. The format is the same as for the “measured instantaneous current” property (EPC: 0xC7).

The initial value of this property is 0xFD (no setting) for the acquisition start measurement channel, 0xFD (no setting) for the range from the acquisition start measurement channel, and 0x7FFE7FFE (no data) for the measured instantaneous current (R and T phases) (initial value: 0xFDFD7FFE7FFE).

When this property is installed, the “number of measurement channels (duplex)” property (EPC: 0xB8) and the “channel range specification for instantaneous current measurement (duplex)” property (EPC: 0xBB) are mandatory.

(31) Channel range specification for instantaneous power consumption measurement (duplex)

This property indicates the range of measurement channels to be acquired by the “measured instantaneous power consumption list (duplex)” property (EPC: 0xBE).

Byte 1 specifies the acquisition start measurement channel and Byte 2 specifies the range from the acquisition start measurement channel. The specification range is from 0x01 to 0x3C (1 to 60).

The initial value of this property is 0xFD (no setting) for the acquisition start measurement channel and 0xFD (no setting) for the range from the acquisition start measurement channel.

When this property is installed, the “number of measurement channels (duplex)” property (EPC: 0xB8) and the “measured instantaneous power consumption list (duplex)” property (EPC: 0xBE) are mandatory.

The value of this property is not updated when a property value write request is made by specifying a range beyond the number of measurement channels indicated by the “number of measurement channels (duplex)” property (EPC: 0xB8).

(32) Measured instantaneous power consumption list (duplex)

This property indicates the measured instantaneous power consumption of measurement channels in the range specified by the “channel range specification for instantaneous power consumption measurement (duplex)” property (EPC: 0xBD).

Byte 1 indicates the measurement channel at which to start acquisition. The value range for this property is 0x01 to 0xFC (1 to 252). Byte 2 indicates the range of acquisition from the acquisition start measurement channel. The value range for this property is 0x01 to 0x3C (1 to 60).

Starting from the acquisition start measurement channel, measured instantaneous power consumption is stored sequentially in Byte 3 and later for the number of channels specified in the acquisition range. The format is the same as for the “measured instantaneous power consumption” property (EPC: 0xC6).

The initial value of this property is 0xFD (no setting) for the acquisition start measurement channel, 0xFD (no setting) for the range from the acquisition start measurement channel, and 0x7FFFFFFE (no data) for the measured instantaneous power consumption (initial value: 0xFDFD7FFFFFFE).

When this property is installed, the “number of measurement channels (duplex)” property (EPC: 0xB8) and the “channel range specification for instantaneous power consumption measurement (duplex)” property (EPC: 0xBD) are mandatory.

3. 3. 25 Requirements for low -voltage smart electric energy meter class

Class group code : 0x02

Class code : 0x88

Instance code : 0x01–0x7F (0x00: All-instance specification code)

Property name	EPC	Contents of property	Data type	Data size	Unit	Access rule	Mandatory	Announcement at status change	Remark
		Value range (decimal notation)							
Operation status	0x80	This property indicates the ON/OFF status.	unsigned char	1 byte	—	Set		○	
		ON = 0x30, OFF = 0x31				Get	○		
Coefficient	0xD3	This property indicates the coefficient for converting measured cumulative amount of electric energy and historical data to actual usage amount using a 6-digit decimal notation.	unsigned long	4 bytes	—	Get			
		0x00000000–0x000F423F (000000–999999)							
Number of effective digits for cumulative amounts of electric energy	0xD7	This property indicates the number of effective digits for measured cumulative amounts of electric energy.	unsigned char	1 byte	digit	Get	○		
		0x01–0x08 (1–8)							
Measured cumulative amount of electric energy (normal direction)	0xE0	This property indicates the measured cumulative amount of electric energy using an 8-digit decimal notation number.	unsigned long	4 bytes	kWh	Get	○		
		0x00000000–0x05F5E0FF (0–99,999,999)							
Unit for cumulative amounts of electric energy (normal and reverse directions)	0xE1	This property indicates the unit (multiplying factor) used for the measured cumulative amount of electric energy and the historical data of measured cumulative amounts of electric energy.	unsigned char	1 byte	—	Get	○		
		0x00: 1kWh 0x01: 0.1kWh 0x02: 0.01kWh 0x03: 0.001kWh 0x04: 0.0001kWh 0x0A: 10kWh 0x0B: 100kWh 0x0C: 1000kWh 0x0D: 10000kWh							

Historical data of measured cumulative amounts of electric energy 1 (normal direction)	0xE2	This property indicates the day for which the historical data of measured cumulative amounts of electric energy is to be retrieved 1 and the historical data of measured cumulative amounts of electric energy (normal direction), which consists of 48 items of half-hourly data for the preceding 24 hours (00:00 to 23:30) of the day by time series from the highest-order byte.	unsigned short + unsigned long × 48	194 bytes	kWh	Get	○		
		1-2 bytes: day for which the historical data of measured cumulative amounts of electric energy is to be retrieved 0x0000–0x0063 (0-99) 3 and succeeding bytes: measured cumulative amounts of electric energy 0x00000000–0x05F5E0FF (0-99,999,999)							
Measured cumulative amounts of electric energy (reverse direction)	0xE3	This property indicates the measured cumulative amounts of electric energy using an 8-digit decimal notation number.	unsigned long	4 bytes	kWh	Get	○		Note 1
		0x00000000–0x05F5E0FF (0-99,999,999)							
Historical data of measured cumulative amounts of electric energy 1 (reverse direction)	0xE4	This property indicates the day for which the historical data of measured cumulative amounts of electric energy is to be retrieved 1 and the historical data of measured cumulative amounts of electric energy (reverse direction), which consists of 48 items of half-hourly data for the preceding 24 hours (00:00 to 23:30) of the day by time series from the highest-order byte.	unsigned short + unsigned long × 48	194 bytes	kWh	Get	○		Note 1
		1-2 bytes: day for which the historical data of measured cumulative amounts of electric energy is to be retrieved 0x0000–0x0063 (0-99) 3 and succeeding bytes: measured cumulative amounts of electric energy 0x00000000–0x05F5E0FF (0-99,999,999)							
Day for which the historical data of measured cumulative amounts of electric energy is to be retrieved 1	0xE5	This property indicates the day for which the historical data of measured cumulative amounts of electric energy (which consists of 48 items of half-hourly data for the preceding 24 hours) is to be retrieved.	unsigned char	1 byte		Set/Get	○		
		0x00–0x63 (0-99) 0: current day 1-99: previous day – day that precedes the current day by 99 days							
Measured instantaneous	0xE7	This property indicates the measured effective instantaneous electric energy in 1W unit.	signed long	4 bytes	W	Get	○		

electric energy		0x80000001-0x7FFFFFFD (-2,147,483,647- 2,147,483,645)							
Measured instantaneous currents	0xE8	This property indicates the measured effective instantaneous R and T phase currents in 0.1A unit. In the case of a single-phase, two-wire system, 0x7FFE shall be used for the T phase.	signed short × 2	4 bytes	0.1 A	Get	○		
		0x8001-0x7FFD (R phase): 0x8001-0x7FFD (T phase) (-3,276.7-3,276.5): (-3,276.7-3,276.5)							
Cumulative amounts of electric energy measured at fixed time (normal direction)	0xEA	This property indicates the most recent cumulative amount of electric energy (normal direction) measured at 30-minute intervals held by the meter in the format of 4 bytes for date of measurement, 3 bytes for time of measurement, and 4 bytes for cumulative electric energy (normal direction). date of measurement YYYY:MM:DD time of measurement hh:mm:ss cumulative electric energy: an 8-digit decimal notation number	unsigned short + unsigned char × 2 + unsigned char × 3 + unsigned long	11 bytes	year, month, day, hour minute, second and kWh	Get	○		
		1-4 bytes: date of measurement YYYY: 0x0001-0x270F (1-9999) MM: 0x01-0x0C (1-12) DD: 0x01-0x1F (1-31) 5-7 bytes: time of measurement hh: 0x00-0x17 (0-23) mm: 0x00-0x3B (0-59) ss: 0x00-0x3B (0-59) 8-11 bytes: cumulative amounts of electric energy measured 0x00000000-0x05F5E0FF (0-99,999,999)							
Cumulative amounts of electric energy measured at fixed time (reverse direction)	0xEB	This property indicates the most recent cumulative amount of electric energy (reverse direction) measured at 30-minute intervals held by the meter in the format of 4 bytes for date of measurement, 3 bytes for time of measurement, and 4 bytes for cumulative electric energy (reverse direction). date of measurement YYYY:MM:DD time of measurement hh:mm:ss cumulative electric energy: an 8-digit decimal notation number	unsigned short + unsigned char × 2 + unsigned char × 3 + unsigned long	11 bytes	year, month, day, hour minute, second and kWh	Get	○		Note 1

		1-4 bytes: date of measurement YYYY: 0x0001-0x270F (1-9999) MM: 0x01-0x0C (1-12) DD: 0x01-0x1F (1-31) 5-7 bytes: time of measurement hh: 0x00-0x17 (0-23) mm: 0x00-0x3B (0-59) ss: 0x00-0x3B (0-59) 8-11 bytes: cumulative amounts of electric energy measured 0x00000000-0x05F5E0FF (0-99,999,999)						
Historical data of measured cumulative amounts of electric energy 2 (normal and reverse directions)	0xEC	This property indicates the historical data of measured cumulative amounts of electric energy every 30 minutes in the normal and reverse directions within the past six hours in the form of date and time for which the historical data of measured cumulative amounts of electric energy is to be retrieved, the number of collection segments, and cumulative amount of electric energy (8 digits max). <ul style="list-style-type: none"> • date and time for which the historical data is to be retrieved YYYY:MM:DD:hh:mm • number of collection segments • cumulative amounts of electric energy Decimal notation up to 8 digits (6 hours max)	unsigned short + unsigned char × 4 + unsigned char + (unsigned long + unsigned long) × (Max) 12	Max. 103 bytes	date, time and kWh	Get		
		1-6 bytes: date and time for which the historical data is to be retrieved YYYY: 0x0001-0x270F (1-9999) MM: 0x01-0x0C (1-12) DD: 0x01-0x1F (1-31) hh: 0x00-0x17 (0-23) mm: 0x00/0x1E (0/30) 7 byte: number of collection segments 0x01-0x0C (1-12) 8th and succeeding bytes: Measured cumulative amount of electric energy (normal direction) 0x00000000-0x05F5E0FF (0-99,999,999) Measured cumulative amount of electric energy (reverse direction) 0x00000000-0x05F5E0FF (0-99,999,999)						
Day for which the historical data of measured cumulative	0xED	This property indicates the date and time of historical data of measurements (every 30 minutes) and the number of segments where measurement historical data is collected every 30 minutes.	unsigned short + unsigned char × 4	7 bytes		Set/Get		

e amounts of electric energy is to be retrieved 2		1-6 bytes: date and time for which the historical data is to be retrieved YYYY: 0x0001-0x270F (1-9999) MM: 0x01-0x0C (1-12) DD: 0x01-0x1F (1-31) hh: 0x00-0x17 (0-23) mm: 0x00/0x1E (0/30) 7 byte: number of collection segments 0x01-0x0C (1-12)	+ unsigned char						
---	--	--	-----------------------	--	--	--	--	--	--

Note 1: It is mandatory if there is a reverse direction measurement function.

Note 2: In the “Announcement at status change” column, ○ denotes mandatory processing when the property is implemented.

This class is used in the case of smart electric energy meters installed for customers supplied with power of 400V or less.

In the case of smart electric energy meters installed for customers supplied with power of 6.6kV, the high -voltage smart electric energy meter class (Class group code: 0x02, Class code: 0x8A) shall be used.

(1) Operation status (a property inherited from the device object super class)

This property indicates whether the functions specific to this class are operating (ON) or not (OFF). In the case of a node in which this class is implemented and the functions specific to this class start operating upon startup of the node, this property may be implemented with the value fixed at 0x30 (operation status ON).

(2) Coefficient

This property indicates the coefficient for converting measured cumulative amounts of electric energy and historical data of measured cumulative amounts of electric energy to actual usage amounts using a 6-digit decimal notation. If this property is not implemented, the coefficient shall be treated as 1.

(3) Number of effective digits for cumulative amounts of electric energy

This property indicates the number of effective digits from the low-order side of the measured cumulative amounts of electric energy (data size: 4 bytes, number of digits: 8).

Example:

Number of effective digits for cumulative amounts of electric energy 0x06 (six digits from the low-order side)

The cumulative electric energy value overflows at 0x000F423F (999999) and increments again from 0x00000000(0).

(4) Measured cumulative amount of electric energy (normal direction)

This property indicates the measured cumulative amount of electric energy in the normal direction (power flow) using an 8-digit decimal notation number. The unit is indicated by the “Unit for measured cumulative amounts of electric energy” property (EPC = 0xE1). The property value range is from 0x00000000 to 0x05F5E0FF (from 0 to 99,999,999). If the cumulative electric energy value exceeds the value specified by the “Number of effective digits for cumulative electric energy” property (EPC = 0xD7), the value shall increment again from 0x00000000(0). When “Coefficient” (EPC = 0xD3) is specified, the value multiplied by the coefficient is the actual usage amount.

Example:

If the value of the “Measured cumulative amount of electric energy (normal direction)” property is 0x00BC614E (12345678), the value of the “Coefficient (EPC=0xD3)” property is 0x0000000A (10 times) and the value of the “Unit for measured cumulative amounts of electric energy (EPC = 0xE1)” property is 0x03 (0.001kWh), the actual measured cumulative amount would be:

$$12345678 \times 10 \times 0.001\text{kW} = 123456.78\text{kWh (actual usage amount)}$$

Overflow : Counting shall be restarted from 0x00000000

No measured data : 0xFFFFFFFFE

(5) Unit for measured cumulative amounts of electric energy (normal and reverse directions)

This property indicates the unit for the measured cumulative amount of electric energy (normal and reverse directions) and the historical data of measured cumulative amounts of electric energy.

Property value	Unit (multiplying factor) for measured cumulative amounts of electric energy
0x00	1kWh
0x01	0.1kWh
0x02	0.01kWh
0x03	0.001kWh
0x04	0.0001kWh
0x0A	10kWh
0x0B	100kWh
0x0C	1000kWh
0x0D	10000kWh

(6) Historical data of measured cumulative amounts of electric energy 1 (normal direction)

This property includes two elements. One is the “day for which the historical data of measured cumulative amounts of electric energy is to be retrieved” 0x0000 to 0x0063 (0 to 99) specified by “Day for which the historical data of measured cumulative amounts of electric energy is to be retrieved 1” (EPC = 0xE5) (day for which the historical data of measured cumulative amounts of electric energy is to be retrieved 1 (EPC = 0xE5) indicated in 2 bytes). The other is the historical data of measured cumulative amounts of electric energy in the normal direction (meter reading and not 30-minutes cumulative value) every 30 minutes at 00 and 30 minutes every hour for 24 hours (00:00 to 23:30) on the day, 48 times in total, by time series from the highest-order byte.

This property indicates the cumulative amounts of electric energy using an 8-digit decimal notation number. The unit is indicated by the “Unit for measured cumulative amounts of electric energy” property (EPC = 0xE1). When “Coefficient” (EPC = 0xD3) is specified, the value multiplied by the coefficient is the actual usage amount. The property value range is from 0x00000000 to 0x05F5E0FF (0 to 99,999,999). If the cumulative amounts of electric energy exceeds the number of effective digits specified by “number of effective digits for cumulative amounts of electric energy” (EPC = 0xD7), the value shall be increased again from 0x00000000(0). The property value shall be set to 0xFFFFFFFFE (no measured data) in the case of no cumulative amounts of electric energy (normal direction) of the corresponding time. In the case of default values when “Day for which the historical data of measured cumulative amounts of electric energy it to be retrieved 1” (EPC=0xE5) has not been set, the day for which the historical data of measured cumulative amounts of electric energy is to be retrieved shall be set to 0x00FF and all half-hourly measurements of cumulative amount of electric energy shall be set to 0xFFFFFFFFE.

(7) Measured cumulative amount of electric energy (reverse direction)

This property indicates the measured cumulative amount of electric energy in the reverse direction (reverse power flow) using an 8-digit decimal notation number. The unit is indicated by the “Unit for measured cumulative amounts of electric energy” property (EPC = 0xE1). The property value range is from 0x00000000 to 0x05F5E0FF (from 0 to 99,999,999). If the cumulative electric energy value exceeds the value specified by the “Number of effective digits for cumulative electric energy” property (EPC = 0xD7), the value shall increment again from 0x00000000(0). When “Coefficient” (EPC = 0xD3) is specified, the value multiplied by the coefficient is the actual usage amount.

Overflow : Counting shall be restarted from 0x00000000.
No measured data : 0xFFFFFFFFE

- (8) Historical data of measured cumulative amounts of electric energy 1 (reverse direction)

This property includes two elements. One is the “day for which the historical data of measured cumulative amounts of electric energy is to be retrieved” 0x0000 to 0x0063 (0 to 99) specified by “Day for which the historical data of measured cumulative amounts of electric energy is to be retrieved 1” (EPC = 0xE5) (day for which the historical data of measured cumulative amounts of electric energy is to be retrieved 1 (EPC = 0xE5) indicated in 2 bytes). The other is the historical data of measured cumulative amounts of electric energy in the reverse direction (meter reading and not 30-minutes cumulative value) every 30 minutes at 00 and 30 minutes every hour for 24 hours (00:00 to 23:30) on the day, 48 times in total, by time series from the highest-order byte.

This property indicates the cumulative amounts of electric energy using an 8-digit decimal notation number. The unit is indicated by the “ Unit for measured cumulative amounts of electric energy” property (EPC = 0xE1). When “Coefficient” (EPC = 0xD3) is specified, the value multiplied by the coefficient is the actual usage amount. The property value range is from 0x00000000 to 0x05F5E0FF (0 to 99,999,999). If the cumulative amounts of electric energy exceed the number of effective digits specified by “number of effective digits for cumulative amounts of electric energy” (EPC = 0xD7), the value shall be increased again from 0x00000000(0). The property value shall be set to 0xFFFFFFFFE (no measured data) in the case of no cumulative amounts of electric energy (reverse direction) of the corresponding time. In the case of default values when “Day for which the historical data of measured cumulative amounts of electric energy it to be retrieved 1” (EPC=0xE5) has not been set, the day for which the historical data of measured cumulative amounts of electric energy is to be retrieved shall be set to 0x00FF and all half-hourly measurements of cumulative amount of electric energy shall be set to 0xFFFFFFFFE.

- (9) Day for which the historical data of measured cumulative amounts of electric energy is to be retrieved 1

This property specifies the day for which the historical data of measured cumulative amounts of electric energy 1 (EPC = 0xE2, 0xE4) is to be retrieved. The value range is from 0x00 to 0x63 (from 0 to 99).

0x00 (0): measured historical data for the current day (up to the last hour)

0x63 (99): measured historical data for the day that precedes the current day by 99 days

The default values of this property shall be 0xFF.

- (10) Measured instantaneous electric energy

This property indicates the measured effective instantaneous electric energy in watts.

The value range is from 0x80000001 to 0x7FFFFFFD (from -2147483647 to 2147483645).

Range: from -2,147,483,647 to 2,147,483,645W (unit of measurement: watts)

*Underflow : 0x80000000
Overflow : 0x7FFFFFFF
No measured data : 0x7FFFFFFE

(11) Measured instantaneous currents

This property indicates the measured effective instantaneous R and T phase currents in amperes. The value range is from 0x8001 to 0x7FFD (from -3276.7 to 3276.5).

In the case of a single-phase, two-wire system, measured data shall be stored in the R phase field and 0x7FFE (no measured data) shall be set in the T phase field.

Range: from -3276.7 to 3276.5A (unit of measurement: 0.1A)

Example:

single-phase, three-wire system: 0x03E9 0x03E7 → 100.1,099.9 (A)

single-phase, two-wire system: 0xFC19 0x7FFE → -99.9 not measured (A)

*Underflow : 0x8000
Overflow : 0x7FFF
No measured data : 0x7FFE

(12) Cumulative amounts of electric energy measured at fixed time (normal direction)

This property indicates the cumulative amounts of electric energy (normal direction) measured at 30-minute intervals (every half hour) (meter reading and not 30-minute cumulative value) held by the meter in the format of 4 bytes for date of measurement, 3 bytes for time of measurement, and 4 bytes for cumulative electric energy (normal direction). The date of measurement shall be indicated in the format of two bytes for year, one byte for month, and one byte for day. The time of measurement shall be indicated in the format of one byte for hour, one byte for minute, and one byte for second. If the meter has no second information, 0x00 shall be set for second. The measured cumulative amounts of electric energy shall be indicated using an 8-digit decimal notation number. The unit shall be indicated by the “Unit of cumulative electric energy” property (EPC = 0xE1). When “Coefficient” (EPC = 0xD3) is specified, the value multiplied by the coefficient is the actual usage amount. The value range of the property shall be from 0x00000000 to 0x05F5E0FF (0 to 99,999,999). If the cumulative electric energy value exceeds the value specified by the “Number of effective digits for cumulative electric energy” property (EPC = 0xD7), the value shall increment again from 0x00000000(0). If the meter does not

support cumulative electric energy (normal direction), 0xFFFFFFFF shall be set for no measured data.

Overflow : Counting shall be restarted from 0x00000000

No measured data : 0xFFFFFFFF

Example:

Cumulative amounts of electric energy measured at fixed time (normal direction)

- YYYY = 0x07DC (year: 2012), MM = 0x03 (month: 3), DD = 0x0F (day: 15)

- hh = 0x07 (hour: 7), mm = 0x00 (minute: 0), ss = 0x00 (second: 0)

- Cumulative electric energy (normal direction) = 0x0001E240 (00123456)

Number of effective digits for cumulative electric energy (EPC = 0xD7): 0x06
(low-order six digits)

Coefficient (EPC=0xD3): No implementing of property (=1)

Unit of cumulative electric energy (EPC = 0xE1): 0x02 (0.01kWh)

Date of measurement: March 15, 2012

Time of measurement: 07:00:00

Cumulative electric energy (normal direction)

$123456 \times 0.01\text{kWh} = 1234.56\text{kWh}$ (actual usage amount)

(13) Cumulative amounts of electric energy measured at fixed time (reverse direction)

This property indicates the cumulative amounts of electric energy (reverse direction) measured at 30-minute intervals (every half hour) (meter reading and not 30-minutes cumulative value) held by the meter in the format of 4 bytes for date of measurement, 3 bytes for time of measurement, and 4 bytes for cumulative electric energy (reverse direction). The date of measurement shall be indicated in the format of two bytes for year, one byte for month, and one byte for day. The time of measurement shall be indicated in the format of one byte for hour, one byte for minute, and one byte for second. If the meter has no second information, 0x00 shall be set for second. The measured cumulative amounts of electric energy shall be indicated using an 8-digit decimal notation number. The unit shall be indicated by the "Unit of cumulative electric energy" property (EPC = 0xE1). When "Coefficient" (EPC = 0xD3) is specified, the value multiplied by the coefficient is the actual usage amount. The value range of the property shall be from 0x00000000 to 0x05F5E0FF (0 to 99,999,999). If the cumulative electric energy value exceeds the value specified by the "Number of effective digits for cumulative electric energy" property (EPC = 0xD7), the value shall increment again from 0x00000000(0). If the meter does not support cumulative electric energy (reverse direction), 0xFFFFFFFF shall be set for no data.

Overflow : Counting shall be restarted from 0x00000000

No measured data : 0xFFFFFFFFE

Example:

Cumulative amount of electric energy measured at fixed time (reverse direction)

- YYYY = 0x07DC (year: 2012), MM = 0x03 (month: 3), DD = 0x0F (day: 15)

- hh = 0x07 (hour: 7), mm = 0x00 (minute: 0), ss = 0x00 (second: 0)

- Cumulative electric energy (reverse direction) = 0x0001E240 (00123456)

Number of effective digits for cumulative electric energy (EPC = 0xD7): 0x06
(low-order six digits)

Coefficient (EPC=0xD3): No implementing of property (=1)

Unit of cumulative electric energy (EPC = 0xE1): 0x02 (0.01kWh)

Date of measurement: March 15, 2012

Time of measurement: 07:00:00

Cumulative electric energy (reverse direction)

$123456 \times 0.01\text{kWh} = 1234.56\text{kWh}$ (actual usage amount)

(14) Historical data of measured cumulative amounts of electric energy 2 (normal and reverse directions)

This property includes two elements. One is the date and time for which the historical data of measured cumulative amounts of electric energy is to be retrieved in the format of YYYY:MM:DD:hh:mm, and the number of collection segments specified by “Day for which the historical data of measured cumulative amounts of electric energy is to be retrieved 2” (EPC = 0xED) respectively. The other is the historical data of measured cumulative amount of electric energy every 30 minutes in the normal and reverse directions within the past six hours on the day.

The date and time indicates date by four bytes and time by two bytes in this order.

The property value for minutes every hour is 0x00 (0 min) or 0x1E (30 min).

The number of collection segments indicates the count of collecting data about cumulative amount of electric energy every 30 minutes by one byte. The value range is from 0x01 to 0x0C (1 to 12).

Measured cumulative amount of electric energy (meter reading and not 30-minutes cumulative value) is a decimal notation of up to 8 digits. The property of “Unit for measured cumulative amounts of electric energy” (EPC = 0xE1) indicates the unit. When “Coefficient” (EPC = 0xD3) is specified, the value multiplied by the coefficient is the actual usage amount. The property value range is from 0x00000000 to 0x05F5E0FF (0 to 99,999,999). With the Measured cumulative amount of electric energy (normal and reverse directions) measured at the time set by “date and time

for which the historical data is to be retrieved” as the higher-order byte, the property value indicates the number of segments specified by “day for which the historical data of measured cumulative amounts of electric energy is to be retrieved 2” (EPC = 0xED) in reverse time series. If the cumulative amount of electric energy exceeds the number of effective digits specified by “Number of effective digits for cumulative amounts of electric energy” (EPC = 0xD7), the value shall be increased again from 0x00000000(0). When cumulative amount of electric energy is not measured or the data is outside the history retention period, the property value shall be set to 0xFFFFFFFFE for no measured data.

When “Day for which the historical data of measured cumulative amounts of electric energy is to be retrieved 2” (EPC = 0xED) is not set, the initial value shall be set to 0xFFFFFFFFFFF for date and time for which the historical data of measured cumulative amounts of electric energy is to be retrieved, 0x01 for the number of segments, and 0xFFFFFFFFE for the 30-minute value of each segment in the normal and reverse directions respectively.

(15)Day for which the historical data of measured cumulative amounts of electric energy is to be retrieved 2

This property includes two elements. One is the date and time for which the historical data of measured cumulative amounts of electric energy is to be retrieved of a target specified by the “Historical data of measured cumulative amounts of electric energy 2 (normal and reverse directions)” (EPC = 0xEC). The other is the number of collection segments where 30-minute measurement historical data is one segment.

The date and time shall be the latest ones of data collection. The format is two bytes for year, one byte for month, one byte for day, one byte for hour, and one byte for minute. Since “Historical data of measured cumulative amounts of electric energy 2 (normal and reverse directions)” is data collected at every 30 minutes, the minutes value shall be 0x00 (0 minute) or 0x1E (30 minutes).

The number of collection segments indicates the count of collecting data about measured cumulative amount of electric energy every 30 minutes earlier than the date and time for which the historical data is to be retrieved. The property value range is from 0x01 to 0x0C (1 to 12).

The initial value of this property shall be set to 0xFFFFFFFFFFF for date and time for which the historical data is to be retrieved and 0x01 for the number of collection segments.

3. 3. 26 Requirements for smart gas meter class

Class group code : 0x02

Class code : 0x89

Instance code : 0x01–0x7F (0x00: All-instance specification code)

Property name	EPC	Contents of property	Data type	Data size	Unit	Access rule	Mandatory	Announcement at status change	Remark
		Value range (decimal notation)							
Operation status	0x80	This property indicates the ON/OFF status.	unsigned char	1 byte	—	Set		○	
		ON=0x30, OFF=0x31				Get			
Gas meter classification setting	0xE0	This property indicates the type of the gas meter.	unsigned char	1 byte	—	Set/Get			
		0x30: city gas 0x31: LP gas 0x32: natural gas 0x33: others							
Owner classification setting	0xE1	This property indicates the type of owner of the meter.	unsigned char	1 byte	—	Set/Get			
		0x30: not specified 0x31: city gas 0x32: LP gas 0x33: private-sector company 0x34: individual							
Measured cumulative gas consumption	0xE2	This property indicates the measured cumulative gas consumption in m ³ .	unsigned long	4 bytes	0.001 m ³	Get	○		Note1
		0x00000000–0x3B9AC9FF (0–999,999,999m ³)							
Unit for measured cumulative gas consumption	0xE3	This property indicates the unit (multiplying factor) for the measured cumulative gas consumption and the historical data of measured cumulative gas consumption.	unsigned char	1 byte	—	Get			
		0x00: 1m ³ 0x01: 0.1m ³ 0x02: 0.01m ³ 0x03: 0.001m ³ 0x04: 0.0001m ³ 0x05: 0.00001m ³ 0x06: 0.000001m ³							
Historical data of measured cumulative gas consumption	0xE4	This property indicates the day for which the historical data of measured cumulative gas consumption is to be retrieved and the historical data of measured cumulative gas consumption, which consists of 48 pieces of half-hourly data for the preceding 24 hours.	unsigned short + unsigned long × 48	194 bytes	0.001 m ³	Get			

		0x0000–0x0063: 0x00000000–0x3B9AC9FF (0–99) : (0–999,999.999m ³)							
Day setting for which the historical data of measured cumulative gas consumption is to be retrieved	0xE5	This property indicates the day for which the historical data of measured cumulative gas consumption (which consists of 48 pieces of half-hourly data for the preceding 24 hours) is to be retrieved.	unsigned char	1 byte		Set Get			
		0x00–0x63 (0–99) 0: current day 1–99: previous day–day that precedes the current day by 99 days							
Detection of abnormal value in metering data	0xE6	This property indicates whether the meter has detected an abnormal value in the metering data.	unsigned char	1 byte	—	Get			
		Abnormal value detected: 0x41 No abnormal value detected: 0x42							
Security data information	0xE7	Provides security information about the abnormal states detected by the meter in the form of security data that identifies the abnormal states by means of bit assignment.	unsigned char × 10	10 bytes	—	Get			
		For details, refer to the explanations under (9).							
Valve closure by the Center	0xE8	This property indicates whether the Center has closed the gas shutoff valve of the meter.	unsigned char	1 byte	—	Get			
		Center has closed the valve: 0x41 Center has not closed the valve: 0x42							
Permission from the Center to reopen the valve closed by the Center	0xE9	This property indicates whether permission has been given by the Center to reopen the gas shutoff valve of the meter closed by the Center.	unsigned char	1 byte	—	Get			
		Permission has been given by the Center to reopen the gas shutoff valve closed by the Center: 0x41 Permission to reopen the gas shutoff valve closed by the Center has not been given by the Center: 0x42							
Emergency closure of shutoff valve	0xEA	This property indicates whether the gas shutoff valve of the meter has been closed in response to an emergency.	unsigned char	1 byte	—	Get			
		Emergency closure of the shutoff valve has occurred: 0x41 No emergency closure of the shutoff valve has occurred: 0x42							
Shutoff valve status	0xEB	This property indicates whether the shutoff valve is open or closed.	unsigned char	1 byte	—	Get			
		Shutoff valve open: 0x41 Shutoff valve closed: 0x42							

Historical data of shutoff reasons	0xEC	This property indicates the reasons for the 3 past shutoff valve-based gas shutoffs by means of bit assignment with one byte used for each of the 3 shutoff reasons. Historical data3: Historical data2: Historical data 1	unsigned char × 3	3 bytes	—	Get			
		0xFF: 0xFF: 0xFF							
ID number setting	0xED	This property indicates the ID number of the meter. 000000–FFFFFF (Initial value : “000000”)	unsigned char	6 bytes		Set/ Get			
Verification expiration setting	0xEE	This property indicates the month and year in which the verification of the meter will expire. YYYYMM YYYY (Year), MM (Month)	unsigned char	6 bytes		Set/ Get			
Measured cumulative gas consumption information with date and time	0xD0	This property indicates the cumulative gas consumption and the date and time of measurement. Date of measurement: YYYY:MM:DD Time of measurement: HH:MM:SS Cumulative gas consumption: 9 digits	unsigned char × 4 + unsigned char × 3 + unsigned long	11 bytes	Date + Time + 0.00 l ^m ³	Get	○		Note1
		1–4 bytes: 0–0x270f:1–0x0C:1–0x1F (=0–9999):(=1–12):(1–31) 5–7 bytes: 0–0x17:0–0x3B:0–0x3B (=0–23):(=0–59): (=0–59) 8–11 bytes: 0x00000000–0x3B9AC9FF (0–999,999,999)							
Historical information of cumulative gas consumption	0xD1	This property indicates the historical information of gas consumption measured at every hour, the date and time of history start, cumulative gas consumption at history start and cumulative time interval. Date: YYYY:MM:DD Time: HH:MM:SS Historical information of gas consumption Cumulative gas consumption at history start Cumulative time interval: 5 digits, every minute	unsigned char × 4 + unsigned char × 3 + unsigned long × 24 + unsigned long + unsigned short	109 bytes	Date + Time + 0.00 l ^m ³ + 0.00 l ^m ³ + minute	Get			

	1-4 bytes: 0-0x270f:1-0x0C:1-0x1F (=0-9999):(=1-12):(1-31) 5-7 bytes: 0-0x17:0-0x3B:0-0x3B (=0-23):(=0-59):(=0-59) 8-103 bytes: 0x00000000-0x0001869F × 24 (0-99,999m3) × 24 104-107 bytes: 0x00000000-0x3B9AC9FF (0-999,999,999 m ³) 108-109 bytes: 0x0001-0xFFFF (1-65535)							
--	--	--	--	--	--	--	--	--

Note: In the “Announcement at status change” column, ○ denotes mandatory processing when the property is implemented.

Note1: EPC shall be 0xE2 (measured cumulative gas consumption) or 0xD0 (measured cumulative gas consumption information with date and time).

(1) Operation status (a property inherited from the device object super class)

This property indicates whether the functions specific to this class are operating (ON) or not (OFF). In the case of a node in which this class is implemented and the functions specific to this class start operating upon startup of the node, this property may be implemented with the value fixed at 0x30 (operation status ON).

(2) Gas meter classification setting

This property indicates the type of the gas being metered by the meter in the form of meter classification.

(3) Owner classification setting

This property indicates the owner of the meter in the form of owner classification.

(4) Measured cumulative gas consumption

This property indicates the measured cumulative gas consumption using a 9-digit decimal notation number. The unit is indicated by the “Unit for measured cumulative gas consumption” property (EPC = 0xE3). If the Unit property (EPC = 0xE3) is not installed, however, the unit shall be 0.001m³. If the Unit property (EPC = 0xE3) is installed, the unit shall depend on the property value as specified below. When the value of the “Unit for measured cumulative gas consumption” property (which indicates the multiplying factor for measured cumulative gas consumption) is 0x00, 0x01, 0x02, 0x03, 0x04, 0x05 or 0x06, the unit shall be 1m³, 0.1 m³, 0.01 m³, 0.001 m³, 0.0001 m³, 0.00001 m³ or 0.000001 m³, respectively. The property value range is

from 0x00000000 to 3B9AC9FF (from 0 to 999,999,999). In the event of a measured cumulative gas consumption overflow, the counting of the measured cumulative gas consumption shall be restarted from 0x00000000.

Example:

If the value of the “Measured cumulative gas consumption” property indicates that the measured cumulative gas consumption is 123456789 and the value of the “Unit for measured cumulative gas consumption” property is 0x03, the actual measured cumulative gas consumption would be:

$$123456789 \times 0.001 \text{ m}^3 = 123456.789 \text{ m}^3$$

Overflow : Counting shall be restarted from 0x00000000

No data : 0xFFFFFFFFE

*EPC shall be 0xE2 (measured cumulative gas consumption) or 0xD0 (measured cumulative gas consumption information with date and time).

(5) Unit for measured cumulative gas consumption

This property indicates the unit for measured cumulative gas consumption.

Property value	Cumulative gas consumption (multiplying factor)
0x00	1m ³
0x01	0.1 m ³
0x02	0.01 m ³
0x03	0.001 m ³
0x04	0.0001 m ³
0x05	0.00001 m ³
0x06	0.000001 m ³

*If this property is not installed, the unit for measured cumulative gas consumption shall be 0.001m³.

(6) Historical data of measured cumulative gas consumption

This property indicates the current setting of the “Day for which the historical data of measured cumulative gas consumption is to be retrieved” property (EPC = 0xE5; value range = 0x0000–0x0063 (0–99)) (Day for which the historical data of measured cumulative gas consumption is to be retrieved 1 (EPC = 0xE5) indicated in 2 bytes) and the historical data of measured cumulative gas consumption (unit = 0.001m³) for the day specified by the “Day for which the historical data of measured cumulative gas consumption is to be retrieved” property, which consists of 48 pieces of half-hourly data for the preceding 24 hours. The half-hourly cumulative gas consumption measurements shall be measurements that have been taken every hour and every half-hour by reference to the time specified by the “Current time setting” property (EPC = 0x97). The measurements (unit = 0.001m³) shall be stored in the

order they have been taken, with the oldest and newest measurements stored in the highest-order and lowest-order bytes, respectively. The value range is from 0x00000000 to 0x3B9AC9FF (from 0 to 999,999.999m³).

- (7) Day setting for which the historical data of measured cumulative gas consumption is to be retrieved

Specifies the day for which the historical data of measured cumulative gas consumption is to be retrieved. The value range is from 0x00 to 0x63 (from 0 to 99).

0x00 (0): historical data for the current day (up to the last hour)

0x63 (99): historical data for the day that precedes the current day by 99 days

When there is no data for the specified day, the “Day for which the historical data of measured cumulative gas consumption is to be retrieved” setting of the “Historical data of measured cumulative gas consumption” property (EPC = 0xE4) shall be set to 0xFF and all half-hourly value settings shall be set to 0xFFFFFFFFE.

- (8) Detection of abnormal value in metering data

This property indicates whether the meter has detected an abnormal value in the metering data. The property value shall be 0x41 when an abnormal value has been detected and 0x42 when no abnormal value has been detected.

- (9) Security data information

Provides security information about the abnormal states detected by the meter in the form of security data that identifies the abnormal states by means of bit assignment.

	Char1	Char2	Char3	Char4	Char5		Char10
Bit1	Arr01	Arr09	Arr17	Arr25	Arr33		Arr73
Bit2	Arr02	Arr10	Arr18	Arr26	Arr34		Arr74
Bit3	Arr03	Arr11	Arr19	Arr27	Arr35		Arr75
Bit4	Arr04	Arr12	Arr20	Arr28	Arr36	...	Arr76
Bit5	Arr05	Arr13	Arr21	Arr29	Arr37		Arr78
Bit6	Arr06	Arr14	Arr22	Arr30	Arr38		Arr77
Bit7	Arr07	Arr15	Arr23	Arr31	Arr39		Arr79
Bit8	Arr08	Arr16	Arr24	Arr32	Arr40		Arr80

“Arr” refers to “alarm information.”

- (10) Valve closure by the Center

This property indicates whether the Center has closed the gas shutoff valve of the

meter. When the value of this property is “0x41”(= Center has closed the valve), no request to reopen the valve is accepted until the value for the “Permission from the Center has been given to reopen the gas shutoff valve closed by the Center” state (0x41) is received from the “Permission from the Center to reopen the valve closed by the Center” property.

(11)Permission from the Center to reopen the valve closed by the Center

This property indicates whether permission has been given by the Center to reopen the gas shutoff valve of the meter closed by the Center. The value “0x41” indicates that permission has been given by the Center to reopen the gas shutoff valve closed by the Center, and the value “0x42” indicates that permission to reopen the gas shutoff valve closed by the Center has not been given by the Center.

(12)Emergency closure of shutoff valve

This property indicates whether the gas shutoff valve of the meter has been closed in response to an emergency. The value “0x41” indicates that emergency closure of the shutoff valve has occurred and the value “0x42” indicates that no emergency closure of the shutoff valve has occurred.

(13)Shutoff valve status

This property indicates whether the shutoff valve is open or closed. The value “0x41” indicates that the shutoff valve is open and the value “0x42” indicates that the shutoff valve is closed.

(14)Historical data of shutoff reasons

This property indicates the reasons for the 3 past shutoff valve-based gas shutoffs by means of bit assignment with one byte used for each of the 3 shutoff reasons. The higher-order, intermediate-order and lower-order bytes shall contain Historical data 3 (the reason for the shutoff before the shutoff before the last shutoff), Historical data 2 (the reason for the shutoff before the last shutoff) and Historical data 1 (the reason for the last shutoff), respectively.

(15)ID number setting

This property indicates the ID number of the meter. The ID number shall be a 6-digit code comprised of 6 one-byte alphanumeric characters.

ID numbers are used when there are two or more meters.

(16)Year and month of inspection expiry

When the meter is one that has been verified by a verifying organization, this

property indicates the year and month in which the verification of the meter will expire.

(17) Measured cumulative gas consumption information with date and time

This property indicates the cumulative gas consumption and the date and time of measurement in the format of 4 bytes for date of measurement, 3 bytes for time of measurement, and 4 bytes for cumulative gas consumption. The date of measurement shall be indicated in the format of two bytes for year, one byte for month, and one byte for day. The time of measurement shall be indicated in the format of one byte for hour, one byte for minute, and one byte for second. If the meter has no second information, 0x00 shall be set for second.

Cumulative gas consumption shall follow the definition in (4) "Measured cumulative gas consumption."

(18) Historical information of cumulative gas consumption

This property indicates the historical information of gas consumption measured at every hour in the format of 4 bytes for the date of history start, 3 bytes for the time of history start, 4 bytes × 24 for historical data of measured cumulative gas consumption, 4 bytes for cumulative gas consumption at history start, and 2 bytes for cumulative time interval.

The date of history start shall be indicated in the format of two bytes for year, one byte for month, and one byte for day. The time of history start shall be indicated in the format of one byte for hour, one byte for minute, and one byte for second. If the meter has no second information, 0x00 shall be set for second.

Historical data of measured cumulative gas consumption indicates the gas consumption (unit: 0.001m³) at every cumulative interval using a 5-digit decimal notation number. The value range of the property shall be from 0x00000 to 0xF423F (0 to 99.999m³).

Cumulative gas consumption at history start shall follow the definition in (4) "Measured cumulative gas consumption."

The value range of cumulative time interval shall be 0x0001 to 0xFFFF (1 to 65535 minutes).

Example:

Sending 24 cumulative values (reading increment at every hour) from 00:00:00 on March 1, 2012 (reading: 123,456.789m³) after 00:00:00 on March 2

Date of history start (YYYY:MM:DD) = 0x07DC0301(2012:03:01)

Time of history start (hh:mm:ss) = 0x000000(00:00:00)

Historical data of measured cumulative gas consumption = See the table

below (24 from Vol.01 to Vol.24)

Cumulative gas consumption at history start = 0x075BCD15 (123,456.789 m³)

Cumulative time interval = 0x3C (60 minutes)

Supplement) Historical data of measured cumulative gas consumption (example) corresponding to the transition of cumulative gas consumption

No.	Year and month	Time	Reading	Historical data of measured cumulative gas consumption Vol. 01-24
	20120301	000000	123456789	
01	20120301	010000	123456799	00010 (=123456799-123456789)
02	20120301	020000	123456819	00020 (=123456819-123456799)
03	20120301	030000	123456849	00030 (=123456849-123456819)
04	20120301	040000	123456889	00040 (=123456889-123456849)
.
.
.
21	20120301	210000	123461234	01000 (=123461234-123460234)
22	20120301	220000	123461756	00522 (=123461756-123461234)
23	20120301	230000	123461756	00000 (=123461756-123461756)
24	20120302	000000	123461756	00000 (=123461756-123461756)

3. 3. 27 Requirements for high-voltage smart electric energy meter class

Class group code : 0x02

Class code : 0x8A

Instance code : 0x01–0x7F (0x00: All-instance specification code)

Property name	EPC	Contents of property	Data type	Data size	Unit	Access rule	Mandatory	Announcement at status change	Remark
		Value range (decimal notation)							
Operation status	0x80	This property indicates the ON/OFF status.	unsigned char	1 byte	—	Set		○	
		ON=0x30, OFF=0x31				Get			
Coefficient	0xD3	This property indicates the coefficient for converting meter readings to actual kWh, kVarh and kW usage in 6-digit decimal notation.	unsigned long	4bytes		Get	○		
		0x00000000-0x000F423F (000000-999999)							
Multiplying factor for coefficient	0xD4	This property indicates the multiplying factor for coefficient.	unsigned char	1 byte		Get	○		
		0x00: ×1 0x01: ×0.1 0x02: ×0.01 0x03: ×0.001							
Fixed date	0xE0	This property indicates the fixed date for monthly usage, etc.	unsigned char	1 byte		Get	○		
		0x01-0x1F (1-31)							
Day for which the historical data of measured cumulative amounts of electric energy is to be retrieved	0xE1	This property indicates the day for which the historical data of measured cumulative amounts of electric energy is to be retrieved (consisting of 48 items of half-hourly data for the preceding 24 hours) is to be retrieved.	unsigned char	1 byte		Set/Get	○		
		0x00-0x63 (0-99) 0: current day 1-99: days ago							
Measured cumulative amount of active electric energy	0xE2	This property indicates the unit used for the measured cumulative amount of active electric energy at the most recent measurement time using a maximum of 8 digits in decimal notation. Indicates the measurement date in 4 bytes, measurement time in 3 bytes, and cumulative amount of active electric energy in 4 bytes. <ul style="list-style-type: none"> • Measurement date YYYY:MM:DD • Measurement time hh:mm:ss • Cumulative amount of active electric energy Max. 8 digits in decimal notation 	unsigned short + unsigned char × 2 + unsigned char × 3 + unsigned long	11 bytes	year, month, day, hour, minute, second and kWh	Get	○		

		1st-4th bytes: measurement date YYYY: 0x0001-0x270F (1-9999) MM: 0x01-0x0C (1-12) DD: 0x01-0x1F (1-31) 5th-7th bytes: measurement time hh: 0x00-0x17 (0-23) mm: 0x00-0x3B (0-59) ss: 0x00-0x3B (0-59) 8th-11th bytes: Cumulative amount of active electric energy 0x00000000-0x05F5E0FISHEry (0-99,999,999)							
Cumulative amounts of active electric energy at fixed time	0xE3	This property indicates the most recent cumulative amount of active electric energy measured at 30-minute intervals held by the meter with the measurement date in 4 bytes, measurement time in 3 bytes, and cumulative amount of active electric energy in 4 bytes. Measurement date YYYY:MM:DD Measurement time hh:mm:ss cumulative electric energy: an 8-digit decimal notation number <hr/> 1st-4th bytes: measurement date YYYY: 0x0001-0x270F (1-9999) MM: 0x01-0x0C (1-12) DD: 0x01-0x1F (1-31) 5th-7th bytes: measurement time hh: 0x00-0x17 (0-23) mm: 0x00-0x3B (0-59) ss: 0x00-0x3B (0-59) 8th-11th bytes: Cumulative amount of active electric energy 0x00000000-0x05F5E0FF (0-99,999,999)	unsigned short + unsigned char × 2 + unsigned char × 3 + unsigned long	11 bytes		Get	○		
Measurement data of cumulative amount of active electric energy for power factor measurement	0xE4	This property indicates the measurement data of cumulative amount of active electric energy for power factor measurement at the most recent measurement time, with the measurement date in 4 bytes, measurement time in 3 bytes, and cumulative amount of active electric energy in 4 bytes. • Measurement date YYYY: MM: DD • Measurement time hh: mm: ss • Cumulative amount of active electric energy Max. 8 digits in decimal notation	unsigned short + unsigned char × 2 + unsigned char × 3 + unsigned long	11 bytes	year, month, day, hour, minute, second and kWh	Get			

		1st-4th bytes: measurement date YYYY: 0x0001-0x270F (1-9999) MM: 0x01-0x0C (1-12) DD: 0x01-0x1F (1-31) 5th-7th bytes: measurement time hh: 0x00-0x17 (0-23) mm: 0x00-0x3B (0-59) ss: 0x00-0x3B (0-59) 8th-11th bytes: Cumulative amount of active electric energy 0x00000000-0x05F5E0FF (0-99,999,999)							
Number of effective digits for cumulative amount of active electric energy	0xE5	This property indicates the number of effective digits for cumulative amounts of active electric energy. 0x01-0x08 (1-8)	unsigned char	1 byte	digit	Get	○		
Unit for cumulative amounts of active electric energy	0xE6	This property indicates the unit for measured cumulative active electric energy and historical data (multiplying factors). 0x00: 1kWh 0x01: 0.1kWh 0x02: 0.01kWh 0x03: 0.001kWh 0x04: 0.0001kWh 0x0A: 10kWh 0x0B: 100kWh 0x0C: 1000kWh 0x0D: 10000kWh	unsigned char	1 byte		Get	○		
Historical data of measured cumulative amount of active electric energy	0xE7	This property indicates the historical data of measured cumulative amount of active electric energy on the retrieval day specified under “day for which the historical data of measured cumulative amounts of electric energy is to be retrieved”, equaling 48 pieces of half-hourly data for 24 hours (00:00-23:30) of the day by time series from the highest-order byte. 1st-2nd bytes: Day for which the historical data of measured cumulative amounts of electric energy is to be retrieved 0x0000-0x0063 (0-99): 3rd and succeeding bytes: Measured cumulative amount of active electric energy 0x00000000-0x05F5E0FF (0-99,999,999)	unsigned short + unsigned long ×48	194 bytes	kWh	Get	○		
Monthly maximum electric power demand	0xC1	This property indicates the maximum value of meter readings for electric power demand recorded between the date of the last fixed reading and the most recent measurement time. 0x00000000-0x05F5E0FF (0-99,999,999)	unsigned long	4 bytes	kWh	Get	○		

Cumulative maximum electric power demand	0xC2	This property indicates the cumulative value of meter readings for maximum electric power demand contractually fixed by the electric power company. 0x00000000-0x05F5E0FF (0-99,999,999)	unsigned long	4 bytes	kW	Get			
Electric power demand at fixed time (30-minute average electric power)	0xC3	This property indicates the meter reading for electric power demand (30-minute average electric power) in the most recent half-hourly measurement time, with the measurement date in 4 bytes, measurement time in 3 bytes, and electric power demand (30-minute average electric power) in 4 bytes. <ul style="list-style-type: none"> • Measurement date YYYY: MM: DD • Measurement time hh: mm: ss • Electric power demand Max. 8 digits in decimal notation 1st-4th bytes: Measurement date YYYY: 0x0001-0x270F (1-9999) MM: 0x01-0x0C (1-12) DD: 0x01-0x1F (1-31) 5th-7th bytes: Measurement time hh: 0x00-0x17 (0-23) mm: 0x00-0x3B (0-59) ss: 0x00-0x3B (0-59) 8th-11th bytes: Electric power demand 0x00000000-0x05F5E0FF (0-99,999,999)	unsigned short + unsigned char × 2 + unsigned char × 3 + unsigned long	11 bytes	year, month, day, hour, minute, second and kW	Get	○		
Number of effective digits of electric power demand	0xC4	This property indicates the number of effective digits of electric power demand. 0x01-0x08 (1-8)	unsigned char	1 byte	digit	Get	○		
Unit of electric power demand	0xC5	This property indicates the unit for the monthly maximum electric power demand, and the electric power demand at fixed time (30-minute average electric power). 0x00: 1kW 0x01: 0.1kW 0x02: 0.01kW 0x03: 0.001kW 0x04: 0.0001kW 0x0A: 10kW 0x0B: 100kW 0x0C: 1000kW 0x0D: 10000kW	unsigned char	1 byte		Get	○		

Historical data of measured electric power demand	0xC6	<p>This property indicates historical data of meter readings for electric power demand at fixed time (30-minute average electric power) on the day specified under “Day for which the historical data of measured cumulative amounts of electric energy is to be retrieved”, equaling 48 pieces of half-hourly data for 24 hours (00:00-23:30) of the day by time series from the highest-order byte.</p> <p>1st-2nd bytes: day for which the historical data of measured cumulative amounts of electric energy is to be retrieved 0x0000-0x0063 (0-99)</p> <p>3rd and succeeding bytes: electric power demand 0x00000000-0x05F5E0FF (0-99,999,999)</p>	unsigned short + unsigned long × 48	194 bytes	kW	Get	○		
Unit of cumulative maximum electric power demand	0xC7	<p>This property indicates the unit of cumulative maximum electric power demand.</p> <p>0x00 : 1kW 0x01 : 0.1kW 0x02 : 0.01kW 0x03 : 0.001kW 0x04 : 0.0001kW 0x0A : 10kW 0x0B : 100kW 0x0C : 1000kW 0x0D : 10000kW</p>	unsigned char	1 byte		Get			
Measurement data of reactive electric power consumption (lag) for power factor measurement	0xCA	<p>This property indicates the measurement data of reactive electric power consumption (lag) for power factor measurement at the most recent measurement time, with the measurement date in 4 bytes, measurement time in 3 bytes, and cumulative amount of reactive electric power consumption in 4 bytes.</p> <ul style="list-style-type: none"> • Measurement date YYYY: MM: DD • Measurement time hh: mm: ss • Cumulative amount of reactive electric power consumption (lag) Max. 8 digits in decimal notation <p>1st-4th bytes: Measurement date YYYY: 0x0001-0x270F (1-9999) MM: 0x01-0x0C (1-12) DD: 0x01-0x1F (1-31)</p> <p>5th-7th bytes: Measurement time hh: 0x00-0x17 (0-23) mm: 0x00-0x3B (0-59) ss: 0x00-0x3B (0-59)</p> <p>8th-11th bytes: Cumulative amount of reactive electric power consumption (lag) 0x00000000-0x05F5E0FF (0-99,999,999)</p>	unsigned short + unsigned char × 2 + unsigned char × 3 + unsigned long	11 bytes	year, month, day, hour, minute, second and kVarh	Get			

Measurement data of cumulative amount of reactive electric power consumption (lag) at fixed time for power factor measurement	0xCB	This property indicates the measurement data of cumulative amount of reactive electric power for power factor measurement at the most recent half-hourly measurement time, with the measurement date in 4 bytes, measurement time in 3 bytes, and cumulative amount of reactive electric power consumption in 4 bytes. • Measurement date YYYY: MM: DD • Measurement time hh: mm: ss • Cumulative amount of reactive electric power consumption (lag) Max.8 digits in decimal notation 1st-4th bytes: Measurement date YYYY: 0x0001-0x270F (1-9999) MM: 0x01-0x0C (1-12) DD: 0x01-0x1F (1-31) 5th-7th bytes: Measurement time hh: 0x00-0x17 (0-23) mm: 0x00-0x3B (0-59) ss: 0x00-0x3B (0-59) 8th-11th bytes: Cumulative amount of reactive electric power consumption (lag) 0x00000000-0x05F5E0FISHEry (0-99,999,999)	unsigned short + unsigned char × 2 + unsigned char × 3 + unsigned long	11 bytes	year, month, day, hour, minute, second and kVarh	Get			
Number of effective digits for measurement data of cumulative amount of reactive electric power consumption (lag) for power factor measurement	0xCC	This property indicates the number of effective digits of measured data of cumulative amount of reactive electric power consumption(lag) for power factor measurement. 0x01-0x08 (1-8)	unsigned char	1 byte	digit	Get			
Unit of measurement data of cumulative amount of reactive electric power consumption (lag)	0xCD	This property indicates the unit (multiplying factor) for measurement data of cumulative amount of reactive electric power consumption (lag) and historical data. 0x00: 1kVarh 0x01: 0.1kVarh 0x02: 0.01kVarh 0x03: 0.001kVarh 0x04: 0.0001kVarh 0x0A: 10kVarh 0x0B: 100kVarh 0x0C: 1000kVarh 0x0D: 10000kVarh	unsigned char	1 byte		Get			

Historical data of measurement data of cumulative amount of reactive electric power consumption(lag) for power factor measurement	0xCE	<p>This property indicates historical data for cumulative amount of reactive electric power consumption (lag) measurements at fixed time on the day specified under “Day for which the historical data of measured cumulative amounts of electric energy is to be retrieved”, equaling 48 pieces of half-hourly data for 24 hours (00:00-23:30) of the day by time series from the highest-order byte.</p> <p>1st- 2nd bytes: Day for which the historical data of measured cumulative amounts of electric energy is to be retrieved 0x0000-0x0063 (0-99)</p> <p>3rd and succeeding bytes: measurement data of cumulative amount of reactive electric power consumption(lag) 0x00000000-0x05F5E0FF(0-99,999,999)</p>	unsigned short + unsigned long × 48	194 bytes	kVarh	Get				
---	------	--	-------------------------------------	-----------	-------	-----	--	--	--	--

Note: In the “Announcement at status change” column, ○ denotes mandatory processing when the property is implemented.

This class is used in the case of smart electric energy meters installed for users supplied with power of 6.6kV.

In the case of smart electric energy meters installed for users supplied with 400V or less, the low -voltage smart electric energy meter class (Class group code: 0x02, Class code: 0x88) shall be used.

(1) Operation status

This property indicates whether the functions specific to this class are operating (ON) or not (OFF). In the case of a node in which this class is implemented and the functions specific to this class start operating upon startup of the node, this property may be implemented with the value fixed at 0x30 (operation status ON).

(2) Coefficient

This property indicates the coefficient in 6-digit decimal notation. The coefficient multiplied by the multiplying factor for the coefficient shall be used as the value for converting meter readings to actually used kWh, kVarh or kW.

(3) Multiplying factor for coefficient

This property indicates the multiplying factor for the coefficient. Meter readings can be converted to actually used kWh, kVarh or kW by multiplying by the coefficient and the multiplying factor for the coefficient.

With a 6.6kV supply, meters cannot be connected directly to power supply circuits.

In such cases, electric energy and others are measured by means of a voltage transformer (VT) and current transformer (CT). Meter readings taken using a voltage transformer and current transformer are converted to primary side measured values representing actual usage, etc., by multiplying by the coefficient and the multiplying factor for the coefficient.

(Example)

Coefficient = 0x00000001 (1)

Multiplying factor for coefficient = 0x00 (1)

Measured cumulative amount of active electric energy (EPC=0xE2):
0x00BC614E (12345678)

Unit for cumulative amounts of active electric energy (EPC=0xE6): 0x01
(0.1kWh)

In this case, the primary side measured value (actual usage) will be:

Measured cumulative amount of active electric energy × coefficient ×
multiplying factor for coefficient × Unit for cumulative amounts of active
electric energy

= 12345678 × 1 × 1 × 0.1kWh = 1234567.8kWh

(4) Fixed date

This property indicates the fixed date of monthly usage, etc., as 0x01-0x1F (1-31).
If the fixed date is the 10th, the value will be 0x0A (10).

(5) Day for which the historical data of measured cumulative amounts of electric energy is to be retrieved

This property specifies the Day for which the historical data of measured cumulative amounts of electric energy is to be retrieved (EPC=0xE7, 0xC6, 0xCE) is to be retrieved. The value range is from 0x00 to 0x63 (from 0 to 99).

0x00 (0): measured historical data for the current day (up to the last hour)

0x63 (99): measured historical data for the day that precedes the current day by
99 days

The default values of this property shall be 0xFF.

(6) Measured cumulative amount of active electric energy

This property indicates the measured cumulative amount of active electric energy in the order of measurement date in 4 bytes, measurement time in 3 bytes, and cumulative amount of active electric energy in 4 bytes. The measurement date is indicated using 2 bytes for the year, 1 byte for the month, and 1 byte for the day. The measurement time is indicated using 1 byte for hours, 1 byte for minutes, and 1 byte for seconds. If the meter does not have information on seconds as a unit of

measured time, 0x00 is set for seconds. The cumulative amount of active electric energy is indicated using a maximum of 8 digits in decimal notation, with units indicated by property values of the unit for cumulative amounts of active electric energy (EPC=0xE6). Measurements are multiplied by the coefficient (EPC=0xD3) and multiplying factor for coefficient (EPC=0xD4) to produce the actual usage. The property value range is 0x00000000-0x05F5E0FF (0-99,999,999). If the cumulative amount of active electric energy exceeds the number of effective digits specified under “Number of effective digits for cumulative amount of active electric energy” (EPC=0xE5), the number shall be incremented again from 0x00000000 (0). The value shall be set to 0xFFFFFFFFE (no measured data) in the case of no cumulative amount of active electric energy.

(Example)

Measured cumulative amount of active electric energy = 0x00BC614E
(12345678)

Coefficient (EPC=0xD3): 0x00000001 (1)

Multiplying factor for Coefficient (EPC=0xD4): 0x00 (1)

Unit for cumulative amounts of active electric energy (EPC=0xE6): 0x01
(0.1kWh)

In this case, the primary side measured value (actual usage) will be:

Measured cumulative amount of active electric energy × coefficient ×
multiplying factor for multiple × unit for cumulative amounts of active
electric energy
= 12345678 × 1 × 1 × 0.1kWh = 1234567.8kWh

(7) Cumulative amounts of active electric energy at fixed time

This property indicates cumulative amounts of active electric energy measured at 30-minute intervals(Every hour on the hour and on the half hour). This property indicates the cumulative amount of active electric energy at the most recent scheduled measurement time retained by the meter, in the order of measurement date in 4 bytes, measurement time in 3 bytes, and cumulative amount of active electric energy in 4 bytes. The measurement date is indicated using 2 bytes for the year, 1 byte for the month, and 1 byte for the day. The measurement time is indicated using 1 byte for hours, 1 byte for minutes, and 1 byte for seconds. If the meter does not have information on seconds as a unit of measured time, 0x00 is set for seconds. The cumulative amount of active electric energy is indicated using a maximum of 8 digits in decimal notation, with units indicated by property values of the unit for cumulative amounts of active electric energy (EPC=0xE6). Measurements are multiplied by the coefficient (EPC=0xD3) and multiplying factor for coefficient(EPC=0xD4) to produce the actual usage. The property value range is 0x00000000-0x05F5E0FF (0-99,999,999). If the

cumulative amount of active electric energy exceeds the number of effective digits specified under “Number of effective digits for cumulative amount of active electric energy” (EPC=0xE5), the number shall be incremented again from 0x00000000 (0). The value shall be set to 0xFFFFFFFFE (no measured data) in the case of no cumulative amount of active electric energy.

(Example)

Cumulative amounts of active electric energy at fixed time

- YYYY = 0x07DE (2014), MM = 0x04 (April), DD = 0x01 (1st)
- hh = 0x0A (hour:10), mm = 0x1E (minute:30), ss = 0x00 (second:00)
- Cumulative amount of active electric energy = 0x00BC614E (12345678)

Coefficient (EPC=0xD3): 0x00000001 (1)

Multiplying factor for coefficient (EPC=0xD4): 0x00 (1)

unit for cumulative amounts of active electric energy (EPC=0xE6): 0x01 (0.1kWh)

In this case,

Measurement date April 1, 2014

Measurement time 10:30:00

Cumulative amount of active electric energy (primary side measured value (actual usage))

Cumulative amounts of active electric energy at fixed time × coefficient × multiplying factor for coefficient × unit for cumulative amounts of active electric energy
= 12345678 × 1 × 1 × 0.1kWh = 1234567.8kWh

(8) Measurement data of cumulative amount of active electric energy for power factor measurement

This property indicates the measurement data of cumulative amounts of active electric energy for power factor measurement, in the order of measurement date in 4 bytes, measurement time in 3 bytes, and cumulative amount of active electric energy in 4 bytes. The measurement date is indicated using 2 bytes for the year, 1 byte for the month, and 1 byte for the day. The measurement time is indicated using 1 byte for hours, 1 byte for minutes, and 1 byte for seconds. If the meter does not have information on seconds as a unit of measured time, 0x00 is set for seconds. The cumulative amount of active electric energy is indicated using a maximum of 8 digits in decimal notation, with units indicated by property values of the unit for cumulative amounts of active electric energy (EPC=0xE6). Measurements are multiplied by the coefficient (EPC=0xD3) and multiplying factor for coefficient (EPC=0xD4) to produce the actual usage.

The property value range is 0x00000000-0x05F5E0FF (0-99,999,999). If the cumulative amount of active electric energy exceeds the number of effective digits

specified under “Number of effective digits for cumulative amount of active electric energy” (EPC=0xE5), the number shall be incremented again from 0x00000000 (0). The value shall be set to 0xFFFFFFFFE (no measured data) in the case of no cumulative amount of active electric energy.

(Example)

Measurement data of cumulative amount of active electric energy for power factor measurement= 0x00BC614E (12345678)

Coefficient (EPC=0xD3): 0x00000001 (1)

Multiplying factor for coefficient (EPC=0xD4): 0x00 (1)

Unit for cumulative amounts of active electric energy (EPC=0xE6): 0x01 (0.1kWh)

In this case, the primary side measured value (actual usage) will be:

Measurement data of cumulative amount of active electric energy for power factor measurement × coefficient × multiplying factor for coefficient × unit for cumulative amounts of active electric energy
 = 12345678 × 1 × 1 × 0.1kWh = 1234567.8kWh

(9) Number of effective digits for cumulative amount of active electric energy

This property indicates the number of effective digits (effective digit count) for the data size of measured cumulative amounts of active electric energy (4 bytes: as a digit count, 8 digits), from the lower order side within these.

(Example)

Number of effective digits for cumulative amount of active electric energy is 0x06 (6 digits from the lower order side)

Cumulative amount of active electric energy overflows at 0x000F423F (999999), and increments again from 0x00000000 (0).

(10)Unit for cumulative amounts of active electric energy

This property indicates units of measured cumulative amounts of active electric energy and historical data.

Property values	Unit for cumulative amounts of active electric energy (multiplying factor)
0x00	1kWh
0x01	0.1kWh
0x02	0.01kWh
0x03	0.001kWh
0x04	0.0001kWh
0x0A	10kWh

0x0B	100kWh
0x0C	1000kWh
0x0D	10000kWh

(11) Historical data of measured cumulative amount of active electric energy

This property indicates the historical data of measured cumulative amounts of active electric energy on the retrieval day specified under “Day for which the historical data of measured cumulative amounts of electric energy is to be retrieved” (Day for which the historical data of measured cumulative amounts of electric energy is to be retrieved 1 (EPC = 0xE1) indicated in 2 bytes), equaling 48 pieces of half-hourly data for 24 hours (00:00-23:30) of the day by time series from the highest-order byte. The cumulative amount of active electric energy is indicated in a maximum of 8 digits in decimal notation, with units indicated by property values of the unit for cumulative amounts of active electric energy (EPC=0xE6).

Measurements are multiplied by the coefficient (EPC=0xD3) and multiplying factor for coefficient (EPC=0xD4) to produce the actual usage.

The property value range is 0x00000000-0x05F5E0FF (0-99,999,999). If the cumulative amount of active electric energy exceeds the number of effective digits specified under “Number of effective digits for cumulative amount of active electric energy” (EPC=0xE5), the number shall be incremented again from 0x00000000 (0). The value shall be set to 0xFFFFFFFF (no measured data) in the case of no cumulative amount of active electric energy at the time in question.

In the case of default values with no “Day for which the historical data of measured cumulative amounts of electric energy is to be retrieved” (EPC=0xE1) set, the day for which the historical data of measured cumulative amounts of electric energy is to be retrieved shall be set to 0x00FF and all half-hourly measurements of cumulative amounts of active electric energy shall be set to 0xFFFFFFFF.

(12) Monthly maximum electric power demand

This property indicates the maximum value of meter readings for electric power demand recorded every hour on the hour and on the half hour between the date of the last fixed reading and the most recent measurement time.

Monthly maximum electric power demand is indicated using a maximum of 8 digits in decimal notation, with units indicated by property values of the unit of electric power demand (EPC=0xC5). Measurements are multiplied by the coefficient (EPC=0xD3) and multiplying factor for coefficient (EPC=0xD4) to produce the actual usage. The property value range is 0x00000000-0x05F5E0FF (0-99,999,999). The value shall be set to 0xFFFFFFFF (no measured data) in the case of no monthly maximum electric power demand.

(Example)

Monthly maximum electric power demand = 0x00BC614E (12345678)

Coefficient (EPC=0xD3): 0x00000001 (1)

Multiplying factor for coefficient(EPC=0xD4): 0x00 (1)

Unit of electric power demand (EPC=0xC5): 0x01 (0.1kW)

In this case, the primary side measured value (actual usage) will be:

Monthly maximum electric power demand × coefficient × multiplying
factor for coefficient × unit of electric power demand
= 12345678 × 1 × 1 × 0.1kW = 1234567.8kW

(13)Cumulative maximum electric power demand

This property indicates the cumulative value of meter readings for maximum electric power demand contractually fixed by the electric power company.

Cumulative maximum electric power demand is indicated using a maximum of 8 digits in decimal notation, with units indicated by property values of the unit of electric power demand (EPC=0xC5). Measurements are multiplied by the coefficient (EPC=0xD3) and multiplying factor for coefficient (EPC=0xD4) to produce the actual usage. The property value range is 0x00000000-0x05F5E0FF (0-99,999,999). If the cumulative maximum electric power demand exceeds the number of effective digits specified under “Number of effective digits of electric power demand” (EPC=0xC4), the number shall be incremented again from 0x00000000 (0). The value shall be set to 0xFFFFFFFFE (no measured data) in the case of no cumulative maximum electric power demand.

(Example)

Cumulative maximum electric power demand = 0x00BC614E (12345678)

Coefficient (EPC=0xD3): 0x00000001 (1)

Multiplying factor for coefficient (EPC=0xD4): 0x00 (1)

Unit of electric power demand (EPC=0xC5): 0x01 (0.1kW)

In this case, measurements of the primary side (actual usage) will be:

Cumulative maximum electric power demand × coefficient × multiplying
factor for coefficient multiple × unit of electric power demand
= 12345678 × 1 × 1 × 0.1kW = 1234567.8kW

(14)Electric power demand at fixed time(30-minute average electric power)

Of meter readings for electric power demand (30-minute average electric power) every 30 minute at 00 minutes and 30 minutes, this property indicates electric power demand at the most recent scheduled measurement time retained by the meter, in the order of measurement date in 4 bytes, measurement time in 3 bytes, and electric power demand 4 bytes. The measurement date is indicated using 2 bytes for the year, 1 byte for the month, and 1 byte for the day. The measurement time is indicated

using 1 byte for hours, 1 byte for minutes, and 1 byte for seconds. If the meter does not have information on seconds as a unit of measured time, 0x00 is set for seconds. Electric power demand is indicated using a maximum of 8 digits in decimal notation, with units indicated by property values of the unit of electric power demand (EPC=0xC5). Measurements are multiplied by the coefficient (EPC=0xD3) and multiplying factor for coefficient (EPC=0xD4) to produce the actual usage. The property value range is 0x00000000-0x05F5E0FF (0-99,999,999). The value shall be set to 0xFFFFFFFFE (no measured data) in the case of no electric power demand.

(Example)

Electric power demand at fixed time (30-minute average electric power)

- YYYY = 0x07DE (2014), MM = 0x04 (April), DD = 0x01 (1st)
- hh = 0x0A (hour:10), mm = 0x1E (minute:30), ss = 0x00 (second:00)
- Electric power demand = 0x00BC614E (12345678)

Coefficient (EPC=0xD3): 0x00000001 (1)

Multiplying factor for coefficient (EPC=0xD4): 0x00 (1)

Unit of electric power demand (EPC=0xC5): 0x01 (0.1kW)

In this case,

Measurement date April 1, 2014

Measurement time 10:30:00

Electric power demand (30-minute average electric power) (primary side measured value (actual usage))

Electric power demand at fixed time (30-minute average electric power) × coefficient × multiplying factor for coefficient × unit of electric power demand

$$= 12345678 \times 1 \times 1 \times 0.1\text{kW} = 1234567.8\text{kW}$$

(15) Number of effective digits of electric power demand

This property indicates the number of effective digits (effective digit count) for the data size of monthly maximum electric power demand, cumulative maximum electric power demand, and electric power demand (30-minute average electric power) (4 bytes: as a digit count, 8 digits), from the lower order side within these.

(Example)

Number of effective digits for electric power demand 0x06

(6 digits from the lower order side)

Cumulative maximum electric power demand overflows at 0x000F423F (999999), and increments again from 0x00000000 (0).

(16) Unit of electric power demand

This property indicates units of monthly maximum electric power demand,

cumulative maximum electric power demand, and electric power demand at fixed time (30-minute average electric power).

Property values	Unit of measured electric power demand (multiple)
0x00	1kW
0x01	0.1kW
0x02	0.01kW
0x03	0.001kW
0x04	0.0001kW
0x0A	10kW
0x0B	100kW
0x0C	1000kW
0x0D	10000kW

(17) Historical data of measured electric power demand

This property indicates the day of historical data retrieval 0x0000 to 0x0063 (0 to 99) specified under “ Day for which the historical data of measured cumulative amounts of electric energy is to be retrieved ” (EPC=0xE1) (Day for which the historical data of measured cumulative amounts of electric energy is to be retrieved 1 (EPC = 0xE1) indicated in 2 bytes), and meter readings for scheduled electric power demand (30 minute average electric power) every 30 minutes at 00 and 30 minutes every hour for 24 hours (00:00 to 23:30) of the day, equaling 48 pieces of historical data, representing property values by time series from the highest-order byte.

Electric power demand is indicated using a maximum 8-digit decimal notation number, with units indicated by property values of the unit of electric power demand (EPC=0xC5). Measurements are multiplied by the coefficient (EPC=0xD3) and multiplying factor for coefficient (EPC=0xD4) to produce the actual usage. The property value range is 0x00000000-0x05F5E0FF (0-99,999,999). The value shall be set to 0xFFFFFFFF (no measured data) in the case of no electric power demand at the time in question.

In the case of default values with no “ Day for which the historical data of measured cumulative amounts of electric energy is to be retrieved” (EPC=0xE1) set, the day for which the historical data of measured cumulative amounts of electric energy is to be retrieved shall be set to 0x00FF and electric power demand every 30 minutes at fixed time(30-minute average electric power) shall be set to 0xFFFFFFFF.

(18) Unit of cumulative maximum electric power demand

This property indicates units of cumulative maximum electric power demand.

Property value	Unit of measured electric power demand (multiple)
0x00	1kW
0x01	0.1kW
0x02	0.01kW
0x03	0.001kW
0x04	0.0001kW
0x0A	10kW
0x0B	100kW
0x0C	1000kW
0x0D	10000kW

(19) Measurement data of reactive electric power consumption (lag) for power factor measurement

This property indicates measurement data of reactive electric power consumption (lag) for power factor measurement, in the order of measurement date in 4 bytes, measurement time in 3 bytes, and cumulative amount of reactive electric power consumption in 4 bytes. The measurement date is indicated using 2 bytes for the year, 1 byte for the month, and 1 byte for the day. The measurement time is indicated using 1 byte for hours, 1 byte for minutes, and 1 byte for seconds. If the meter does not have information on seconds as a unit of measured time, 0x00 is set for seconds. Reactive electric power consumption is indicated using a maximum 8-digit decimal notation number, with units indicated by the property values of unit of measurement data for cumulative amount of reactive electric power consumption (lag) (EPC=0xCD). Measurements are multiplied by the coefficient (EPC=0xD3) and multiplying factor for coefficient (EPC=0xD4) to produce the actual usage. The property value range is 0x00000000-0x05F5E0FF (0-99,999,999). If the cumulative amount of reactive electric power consumption exceeds the number of effective digits specified under “Number of effective digits for measurement data of cumulative amount of reactive electric power consumption (lag) for power factor measurement” (EPC=0xCC), the number shall be incremented again from 0x00000000 (0). The value shall be set to 0xFFFFFFFFE (no measured data) in the case of no measurement data of cumulative amount of reactive electric power consumption (lag) for power factor measurement.

(Example)

Measurement data of cumulative amount of reactive electric power consumption (lag) for power factor measurement = 0x00BC614E (12345678)

Coefficient (EPC=0xD3): 0x00000001 (1)

Multiplying factor for coefficient (EPC=0xD4): 0x00 (1)

Unit of measurement data for cumulative amount of reactive electric power consumption (lag) (EPC=0xCD): 0x01 (0.1kVarh)

In this case, the primary side measured value (actual usage) will be:

measurement data of cumulative amount of reactive electric power consumption (lag) for power factor measurement \times coefficient \times multiplying factor for coefficient \times unit of measurement data for cumulative amount of reactive electric power consumption (lag)
 $= 12345678 \times 1 \times 1 \times 0.1\text{kVarh} = 1234567.8\text{kVarh}$

(20) Measurement data of cumulative amount of reactive electric power consumption (lag) at fixed time for power factor measurement

Of measurement data of cumulative amount of reactive electric power consumption (lag) at fixed time for power factor measurement every 30 minute at 00 and 30 minutes, this property indicates measurement data of cumulative amount of reactive electric power consumption (lag) for power factor measurement at the most recent scheduled measurement time retained by the meter, in the order of measurement date in 4 bytes, measurement time in 3 bytes, and cumulative amount of reactive electric power consumption in 4 bytes. The measurement date is indicated using 2 bytes for the year, 1 byte for the month, and 1 byte for the day. The measurement time is indicated using 1 byte for hours, 1 byte for minutes, and 1 byte for seconds. If the meter does not have information on seconds as a unit of measured time, 0x00 is set for seconds. The cumulative amount of reactive electric power consumption is indicated using a maximum 8 -digit number in decimal notation, with units indicated by the property values of unit of measurement data of cumulative amount of reactive electric power consumption (lag) for power factor measurement (EPC=0xCD). Measurements are multiplied by the coefficient (EPC=0xD3) and multiplying factor for coefficient (EPC=0xD4) to produce the actual usage. The property value range is 0x00000000-0x05F5E0FF (0-99,999,999). If the cumulative amount of reactive electric power consumption exceeds the number of effective digits specified under “ Number of effective digits for measurement data of cumulative amount of reactive electric power consumption (lag) for power factor measurement” (EPC=0xCC), the number shall be incremented again from 0x00000000 (0). The value shall be set to 0xFFFFFFFFE (no measured data) in the case of no cumulative amount of reactive electric power consumption (lag) for power factor measurement.

(Example)

Measurement data of reactive electric power consumption (lag) at fixed time

- YYYY = 0x07DE (2014), MM = 0x04 (April), DD = 0x01 (1st)
- hh = 0x0A (hour:10), mm = 0x1E (minute:30), ss = 0x00 (second:00)

• Cumulative amount of reactive electric power consumption (lag) =
0x00BC614E (12345678)
Coefficient (EPC=0xD3): 0x00000001 (1)
Multiplying factor for coefficient (EPC=0xD4): 0x00 (1)
Unit of measurement data of cumulative amount of reactive electric power
consumption (lag) for power factor measurement (EPC=0xCD): 0x01
(0.1kWh)

In this case,

Measurement date April 1, 2014

Measurement time 10:30:00

Cumulative amount of reactive electric power consumption (lag) (primary side
measured value (actual usage)

Measurement data of reactive electric power consumption (lag) at fixed time
× coefficient × multiplying factor for coefficient × unit of measurement
data of cumulative amount of reactive electric power consumption (lag) for
power factor measurement

= 12345678 × 1 × 1 × 0.1kVarh = 1234567.8kVarh

(21) Number of effective digits for measurement data of cumulative amount of reactive
electric power consumption (lag) for power factor measurement

This property indicates the number of effective digits (effective digit count) for the
data size of measurement data of cumulative amount of reactive electric power
consumption (lag) (4 bytes: as a digit count, 8 digits), from the lower order side
within these.

(Example)

Number of effective digits for cumulative amount of reactive electric power
consumption (lag) for power factor measurement 0x06 (6 digits from the lower
order side)

Cumulative amount of reactive electric power consumption (lag) for power
factor measurement overflows at 0x000F423F(999999), and increments again
from 0x00000000 (0).

(22) Unit of measurement data of cumulative amount of reactive electric power
consumption (lag)

This property indicates units of measurement data of cumulative amount of reactive
electric power consumption (lag).

Property values Unit of measurement data of cumulative amount of
reactive electric power consumption (lag) for power

	factor measurement(multiple)
0x01	0.1kVarh
0x02	0.01kVarh
0x03	0.001kVarh
0x04	0.0001kVarh
0x0A	10kVarh
0x0B	100kVarh
0x0C	1000kVarh
0x0D	10000kVarh

(23) Historical data of measurement data of cumulative amount of reactive electric power consumption (lag) for power factor measurement

This property indicates the day for which the historical data of measured 0x0000-0x0063 (0-99) specified under “ Day for which the historical data of measured cumulative amounts of electric energy is to be retrieved” (EPC=0xE1) (Day for which the historical data of measured cumulative amounts of electric energy is to be retrieved 1 (EPC = 0xE1) indicated in 2 bytes) and measured data for cumulative amount of reactive electric power consumption (lag) every 30 minute at 00 and 30 minutes past every hour, for 24 hours (00:00 to 23:30) of the day, equaling 48 pieces of historical data , representing property values by time series from the highest-order byte.

The cumulative amount of reactive electric power consumption (lag) is indicated using a maximum 8 -digit number in decimal notation. Units are indicated by the property values of the unit of measurement data of cumulative amount of reactive electric power consumption (lag) (EPC=0xCD). Measurements are multiplied by the coefficient (EPC=0xD3) and multiplying factor for coefficient (EPC=0xD4) to produce the actual usage.

The property value range is 0x00000000-0x05F5E0FF (0-99,999,999). If the cumulative amount of reactive electric power consumption exceeds the number of effective digits specified under “ Number of effective digits for measurement data of cumulative amount of reactive electric power consumption (lag) for power factor measurement” (EPC=0xCC), the number shall be incremented again from 0x00000000 (0). The value shall be set to 0xFFFFFFFF (no measured data) in the case of no cumulative amount of reactive electric power consumption (lag) at the time in question.

In the case of default values with no “ Day for which the historical data of measured cumulative amounts of electric energy is to be retrieved” (EPC=0xE1) set, the day for which the historical data of measured cumulative amounts of electric energy is to be retrieved shall be set to 0x00FF and cumulative amount of reactive electric power consumption (lag) every 30 minutes shall be set to 0xFFFFFFFF.

3. 3. 28 Requirements for kerosene meter class

Class group code : 0x02

Class code : 0x8B

Instance code : 0x01–0x7F (0x00: All-instance specification code)

Property name	EPC	Contents of property	Data type	Data size	Unit	Access rule	Mandatory	Announcement at status change	No.
		Value range (decimal notation)							
Operation status	0x80	This property indicates the ON/OFF status.	unsigned char	1 byte	-	Set	○	○	(1)
		ON=0x30, OFF=0x31				Get			
Measured cumulative amount of kerosene consumption	0xE0	This property indicates the cumulative amount of kerosene consumption in 0.1L.	unsigned long	4 bytes	0.1L	Get	○		(2)
		0x00000000 to 0x3B9AC9FF (0 to 99,999,999.9L)							
History of measured cumulative amounts of kerosene consumption	0xE2	This property indicates the history of measured results of cumulative amounts of kerosene consumption for the past 24 hours in 30-minute sections.	unsigned long×48	192 bytes	0.1L	Get			(3)
		0x00000000 to 0x3B9AC9FF (0 to 99,999,999.9L)							

(1) Operation status (inherited from the device object super class property)

This property indicates whether the functions specific to this class are operating (ON) or not (OFF). In the case of a node in which this class is implemented and the functions specific to this class start operating upon startup of the node, this property may be implemented with the value fixed at 0x30 (operation status ON).

(2) Measured cumulative amount of kerosene consumption

This property indicates the cumulative amount of kerosene consumption in units of 0.1L. The property value range is 0x00000000 to 0x3B9AC9FF (0 to 99,999,999.9L). When the cumulative amount of kerosene consumption overflows, the property value shall be incremented again from 0x00000000.

(3) History of measured cumulative amounts of kerosene consumption

This property indicates the history of measured results of cumulative amounts of kerosene consumption (0.1L) for the past 24 hours in 30-minute sections. For the measured cumulative amounts of kerosene consumption for every 30 minutes, the measured value in 0.1L at each 0 minute and 30 minutes based on the time set in the property name “Current time setting” (EPC=0x97) shall be indicated in the range from

0x00000000 to 0x3B9AC9FF (0 to 99,999,999.9L). The property value shall begin with the high-order byte in time series. 0xFFFFFFFF shall be used in relation to time data in the history of measured values when measurements were not made.

3. 3. 29 Requirements for smart kerosene meter class

Class group code :0x02

Class code :0x8C

Instance code :0x01~0x7F (0x00: All-instance specification code)

Property name	EPC	Contents of property	Data type	Data size	Unit	Access rule	Mandatory	Announcement at status change	No.
		Value range (decimal notation)							
Operation status	0x80	This property indicates the ON/OFF status.	unsigned char	1 byte	—	Set	○	○	(1)
		ON=0x30, OFF=0x31				Get			
Owner category setting	0xE1	This property indicates the category of the owner of the meter.	unsigned char	1 byte	—	Set/Get			(2)
		0x30: Not specified 0x31: Kerosene sales 0x32: Private company 0x33: Individual							
Measured cumulative kerosene consumption	0xE2	This property indicates the cumulative amount of kerosene consumption in a 9-digit decimal notation.	unsigned long	4 bytes	0.001L	Get	○*		(3)
		0x00000000 to 0x3B9AC9FF (0 to 999,999,999)							
Units for measured cumulative kerosene consumption	0xE3	This property indicates the units for the measured cumulative amount of kerosene consumption (0xE0)	unsigned char	1 byte	—	Get	○		(4)
		0x00: 1L 0x01: 0.1L 0x02: 0.01L 0x03: 0.001L 0x04: 0.0001L 0x05: 0.00001L 0x06: 0.000001L							
Historical information of cumulative kerosene consumption	0xE4	This property indicates the cumulative history collection date and the history of measurement results of cumulative amounts of kerosene consumption for the past 24 hours in 30-minute sections.	unsigned short + unsigned long×48	194 bytes	0.001L	Get			(5)
		0x0000 to 0x0063 : 0x00000000 to 0x3B9AC9FF (0 to 99) : (0 to 999,999,999)							
Collection date setting for history of cumulative kerosene consumption	0xE5	This property indicates the date on which data on history of measurement values from every 30 minutes was collected.	unsigned char	1 byte		Set/Get			(6)
		0x00 to 0x63 (0 to 99) 0: Current day 1-99: Number of days before							
Meter reading	0xE6	This property indicates the status in which	unsigned	1	—	Get			(7)

data abnormality detection status		the meter detected an abnormality in the meter reading data. Abnormality detected 0x41 No abnormality detected 0x42	char	byte					
Security data information	0xE7	Provides safety information detected by the meter in the form of security data defined by bit assignment. For details, see Explanation (8)	unsigned char×10	10 bytes	—	Get			(8)
Residual volume control warning level	0xE8	This property indicates a warning where residual volume is very small. Residual volume control warning level 1 0x31 Residual volume control warning level 2 0x32 Residual volume control warning level 3 0x33 No residual volume control warning 0x42	unsigned char	1 byte	—	Get		○	(9)
Residual volume control warning level 1	0xEA	Sets "Residual volume control warning level 1". 0 to 0xFFFFFFFF (0 to 16,777,215)	unsigned char×3	3 bytes	L	Set/Get			(10)
Residual volume control warning level 2	0xEB	Sets "Residual volume control warning level 2". 0 to 0xFFFFFFFF (0 to 16,777,215)	unsigned char×3	3 bytes	L	Set/Get			(11)
Residual volume control warning level 3	0xEC	Sets "Residual volume control warning level 3". 0 to 0xFFFFFFFF (0 to 16,777,215)	unsigned char×3	3 bytes	L	Set/Get			(12)
Slight leak timer value (kerosene flow rate continuation)	0xED	This property indicates the number of days on which kerosene flow rate is continued. 0 to 0xFD (0 to 253) (0 to 253 days)	unsigned char	1 byte	Day	Get			(13)
ID number setting	0xEE	This property indicates the ID number of the meter. 000000 to FFFFFFFF (Initial value: "000000")	unsigned char	6 bytes		Set/Get			(14)
Verification expiration setting	0xEF	This property indicates the month and year in which the verification of the meter will expire. YYYYMM YYYY (Year), MM (Month)	unsigned char	6 bytes		Set/Get			(15)
Measured cumulative kerosene consumption information with date and time	0xD0	This property indicates the cumulative kerosene consumption and the date and time of measurement. • Date of measurement: YYYY:MM:DD • Time of measurement: HH:MM:SS • Cumulative kerosene consumption: 9 digits 1 to 4 bytes: 0 to 0x270f : 1 to 0x0C : 1 to 0x1F (=0 to 9999);(=1 to 12);(=1 to 31) 5 to 7 bytes: 0 to 0x17 : 0 to 0x3B : 0 to 0x3B (=0 to 23);(=0 to 59);(=0 to 59) 8 to 11 bytes: 0x00000000 to 0x3B9AC9FF	unsigned char×4 + unsigned char×3 + unsigned long	11 bytes	Date + Time + 0.001L	Get	○*		(16)

		(0 to 999,999,999)							
Historical information of cumulative kerosene consumption	0xD1	<p>This property indicates the historical information of kerosene consumption, the date and time of history start, index value at history start and cumulative time interval</p> <ul style="list-style-type: none"> • Date: YYYY:MM:DD • Time: HH:MM:SS • Historical data of kerosene consumption • Cumulative kerosene consumption at history start • Cumulative time interval (5 digits, every minute) 	<p>unsigned char×4 + unsigned char×3 + unsigned long×24 + unsigned long + unsigned short</p>	109 bytes	<p>Date + Time + 0.001L + 0.001L + Minute</p>	Get			(17)
		<p>1 to 4 bytes: 0 to 0x270f : 1 to 0x0C : 1 to 0x1F (=0 to 9999);(=1 to 12);(=1 to 31)</p> <p>5 to 7 bytes: 0 to 0x17 : 0 to 0x3B : 0 to 0x3B (=0 to 23);(=0 to 59);(=0 to 59)</p> <p>8 to 103 bytes: 0x00000000 to 0x0001869F×24 (0 to 99.999L)×24</p> <p>104 to 107 bytes: 0x00000000 to 0x3B9AC9FF (0 to 999,999,999)</p> <p>108 to 109 bytes: 0x0001 to 0xFFFF (1 to 65,535)</p>							

(1) Operation status (inherited from the device object super class property)

This property indicates whether the function native to this class is operating or not (ON/OFF). In the node mounting this class, if the function of this class is started concurrently with the start of node operation, this property may be implemented at a fixed value of 0x30 (Operation status ON).

(2) Owner category setting

This property sets the owner of the device as an owner category.

(3) Measured cumulative kerosene consumption

This property indicates the cumulative amount of kerosene consumption in a 9-digit decimal notation. Units are indicated based on the property value for Units for measured cumulative kerosene consumption (EPC=0xE3).

When the Units for measured cumulative kerosene consumption (multiplying factor in relation to the measured cumulative kerosene consumption) is 0x00, the unit is 1L; when it is 0x01, the unit is 0.1L; when it is 0x02, the unit is 0.01L; when it is 0x03, the unit is 0.001L; when it is 0x04, the unit is 0.0001L; when it is 0x05, the unit is

0.00001L; and when it is 0x06, the unit is 0.000001L.

The property value range is 0x00000000 to 3B9AC9FF (0 to 999,999,999), and when the cumulative amount of kerosene consumption overflows, the property value shall be incremented again from 0x00000000.

Example:

When the measured cumulative kerosene consumption is 123456789, and the units for measured cumulative kerosene consumption is (0x03):

$$123456789 \times 0.001L = 123456.789L \text{ (actual measured value)}$$

Overflow: Incremented again from 0x00000000

No data: 0xFFFFFFFFE

* EPC of 0xE2 (measured cumulative kerosene consumption) or 0xD0 (measured cumulative kerosene consumption information with date and time) is required.

(4) Units for measured cumulative amount of kerosene consumption

This property indicates the units for the measured cumulative kerosene consumption.

Property value	Cumulative kerosene consumption (multiplying factor)
0x00	1L
0x01	0.1L
0x02	0.01L
0x03	0.001L
0x04	0.0001L
0x05	0.00001L
0x06	0.000001L

(5) Historical information of cumulative kerosene consumption

The data 0x00 to 0x63 (0 to 99) set for Collection date setting for history of cumulative kerosene consumption (EPC=0x05), and the cumulative kerosene consumption (0.001L) on the set collection date of history of cumulative kerosene consumption are expressed in the form of data over the past 24 hours in 30-minute sections. The measured cumulative amount of kerosene consumption for every 30 minutes is the measured value in 0.001L at each 0 minute and 30 minutes based on the time set in the property name "Current time setting" (EPC=0x97) and is indicated in the range from 0x00000000 to 0x3B9AC9FF (0 to 999,999.999L). The property value shall begin with the high-order byte in time series.

(6) Collection date setting for history of cumulative kerosene consumption

The date on which historical information of cumulative kerosene consumption is summoned is set within a range from 0x00 to 0x63 (0 to 99).

0x00 (0) represents data for the current day (up to previous time limit value)

0x63 (99) represents data from 99 days ago

If there is no corresponding data, set 0xFF for the cumulative history collection date in Historical information of cumulative kerosene consumption (EPC=0xE4), and set 0xFFFFFFFF for all of the 30-minute values.

(7) Meter reading data abnormality detection status

This property indicates a status where an abnormality was detected in the meter reading data. 0x41 is used when an abnormality is detected, and 0x42 is used when no abnormality is detected.

(8) Security data information

Provides security information about the abnormal states detected by the meter in the form of security data that identifies the abnormal states by means of bit assignment.

	Char1	Char2	Char3	Char4	Char5	. . .	Char10
Bit1	Arr01	Arr09	Arr17	Arr25	Arr33		Arr73
Bit2	Arr02	Arr10	Arr18	Arr26	Arr34		Arr74
Bit3	Arr03	Arr11	Arr19	Arr27	Arr35		Arr75
Bit4	Arr04	Arr12	Arr20	Arr28	Arr36		Arr76
Bit5	Arr05	Arr13	Arr21	Arr29	Arr37		Arr77
Bit6	Arr06	Arr14	Arr22	Arr30	Arr38		Arr78
Bit7	Arr07	Arr15	Arr23	Arr31	Arr39		Arr79
Bit8	Arr08	Arr16	Arr24	Arr32	Arr40		Arr80
Arr represents alarm information.							

(9) Residual volume control warning level

Issues a warning to indicate that the residual volume is very small. The value 0x31 indicates residual volume control warning level 1. The value 0x32 indicates residual volume control warning level 2. The value 0x33 indicates residual volume control warning level 3. The value 0x42 indicates that no residual volume control warning is issued. When the residual volume decreases below a residual volume control warning level setting (the property value for the set value of residual volume control warning level 1, set value of residual volume control warning level 2, or set value of residual volume control warning level 3), the associated property value shall be taken as stated

above. The residual volumes indicated by the three warning levels shall be, in decreasing order, the set value of residual volume control warning level 1, set value of residual volume control warning level 2, and set value of residual volume control warning level 3.

(10) Residual volume control warning level 1

Sets the residual kerosene volume that changes the value of the residual volume control warning property (0xE8) to residual volume control warning level 1 (0x31). The property value range shall be 0 to 0xFFFFFFFF (0 to 16,777,215L).

(11) Residual volume control warning level 2

Sets the residual kerosene volume that changes the value of the residual volume control warning property (0xE8) to residual volume control warning level 2 (0x32). The property value range shall be 0 to 0xFFFFFFFF (0 to 16,777,215L).

(12) Residual volume control warning level 3

Sets the residual kerosene volume that changes the value of the residual volume control warning property (0xE8) to residual volume control warning level 3 (0x33). The property value range shall be 0 to 0xFFFFFFFF (0 to 16,777,215L).

(13) Slight leak timer value (kerosene flow rate continuation)

This property indicates the number of days for which gas has flowed continuously. The property value range shall be 0 to 0xFD (0 to 253 days).

(14) ID number setting

This property indicates the ID number of the meter. The setting scope shall be a 6-digit code comprised of 6 one-byte alphanumeric characters.

ID numbers are used when there are two or more meters.

(15) Verification expiration setting

When the meter is one that has been verified by a verifying organization, this property indicates the month and year in which the verification of the meter will expire.

(16) Measured cumulative kerosene consumption information with date and time

This property indicates the cumulative kerosene consumption and the date and time of measurement in the format of 4 bytes for date of measurement, 3 bytes for time of

measurement, and 4 bytes for cumulative kerosene consumption.

The date of measurement shall be indicated in the format of two bytes for year, one byte for month, and one byte for day. The time of measurement shall be indicated in the format of one byte for hour, one byte for minute, and one byte for second. If the meter has no second information, 0x00 shall be set for second.

Cumulative kerosene consumption shall follow the definition in “(3) Measured cumulative kerosene consumption.”

* EPC of 0xE2 (measured cumulative kerosene consumption) or 0xD0 (measured cumulative kerosene consumption information with date and time) is required

(17) Historical information of cumulative kerosene consumption

This property indicates the historical information of kerosene consumption measured at every hour in the format of 4 bytes for the date of history start, 3 bytes for the time of history start, 4 bytes × 24 for historical data of measured cumulative kerosene consumption, 4 bytes for cumulative kerosene consumption at history start, and 2 bytes for cumulative time interval.

The date of history start shall be indicated in the format of two bytes for year, one byte for month, and one byte for day. The time of history start shall be indicated in the format of one byte for hour, one byte for minute, and one byte for second. If the meter has no second information, 0x00 shall be set for second.

Historical data of measured cumulative kerosene consumption indicates the kerosene consumption (unit: 0.001L) at every cumulative interval using a 5-digit decimal notation number. The value range of the property shall be from 0x00000 to 0xF423F (0-99.999L).

Cumulative kerosene consumption at history start shall follow the definition in “(3) Measured cumulative kerosene consumption.”

The value range of cumulative time interval shall be 0x0001 to 0xFFFF (1 to 65,535 minutes).

Example:

Sending 24 cumulative values (reading increment at every hour) from 00:00:00 on March 1, 2012 (reading: 123,456.789L) after 00:00:00 on March 2

Date of history start (YYYY : MM : DD) = 0x07DC0301 (2012 : 03 : 01)

Time of history start (hh : mm : ss) = 0x000000 (00 : 00 : 00)

Historical data of measured cumulative kerosene consumption = See the

table below (24 from Vol.01 to Vol.24)

Cumulative kerosene consumption at history start = 0x075BCD15
 (123,456.789L)

Cumulative time interval = 0x3C (60 minutes)

Supplement) Historical data of measured cumulative kerosene consumption
 corresponding to the transition of cumulative kerosene consumption

No.	Date	Time	Reading	Historical data of measured cumulative kerosene consumption Vol.01 to 24
/	20120301	000000	123456789	/
01	20120301	010000	123456799	00010 (=123456799 – 123456789)
02	20120301	020000	123456819	00020 (=123456819 – 123456799)
03	20120301	030000	123456849	00030 (=123456849 – 123456819)
04	20120301	040000	123456889	00040 (=123456889 – 123456849)
.
.
.
21	20120301	210000	123461234	01000 (=123461234 – 123460234)
22	20120301	220000	123461756	00522 (=123461756 – 123461234)
23	20120301	230000	123461756	00000 (=123461756 – 123461756)
24	20120302	000000	123461756	00000 (=123461756 – 123461756)

3. 3. 30 Requirements for general lighting class

Class group code : 0x02

Class code : 0x90

Instance code : 0x01–0x7F (0x00: All-instance specification code)

Property name	EPC	Contents of property	Data type	Data size	Unit	Access rule	Mandatory	Announcement at status change	Remark
		Value range (decimal notation)							
Operation status	0x80	This property indicates the ON/OFF status.	unsigned char	1 byte	—	Set	○	○	
		ON=0x30, OFF=0x31				Get	○		
Illuminance level	0xB0	This property indicates illuminance level in %.	unsigned char	1 byte	%	Set/Get			
		0x00–0x64 (0–100%)							
Light color setting	0xB1	This property indicates the color setting.	unsigned char	1 byte	—	Set/Get			
		Incandescent lamp color = 0x41, white = 0x42, daylight white = 0x43, daylight color = 0x44, other = 0x40							
Illuminance level step setting	0xB2	Used to specify the illuminance level in terms of steps and acquire the current setting.	unsigned char	1 byte	—	Set/Get			
		From 0x01 to the maximum specifiable illuminance level value (dark to bright)							
Light color step setting	0xB3	Used to specify the light color in terms of steps and acquire the current setting.	unsigned char	1 byte	—	Set/Get			
		From 0x01 to the maximum specifiable light color value (incandescent lamp color to white)							
Maximum specifiable values	0xB4	Used to acquire the maximum specifiable illuminance level value and the maximum specifiable light color value of main lighting.	unsigned char × 2	2 bytes	—	Get			
		Byte 1: illuminance Byte 2: light color 0x01–0xFF (Step 1–Step 255) 0x00 (when the function is not implemented)							
Maximum value of settable level for night lighting	0xB5	Used to acquire the maximum values of illuminance and light color settable levels for night lighting.	unsigned char × 2	2 bytes	—	Get			
		First byte: illuminance Second byte: light color 0x01–0xFF (Step 1–Step 255) 0x00 (when the function is not implemented)							
Lighting mode setting	0xB6	Auto/main lighting/night lighting/color lighting	unsigned char	1 byte	—	Set/Get	○		
		Auto=0x41, main lighting=0x42, night lighting=0x43, color lighting=0x45							
Illuminance level setting for main lighting	0xB7	Indicates the illuminance level of main lighting in %.	unsigned char	1 byte	%	Set/Get			
		0x00–0x64(0–100%)							
Illuminance level step setting for	0xB8	Used to set the illuminance level by the number of steps for main lighting and to acquire the current setting.	unsigned char	1 byte	—	Set/Get			

main lighting		0x01 to the maximum value of settable illuminance level(dark to bright)							
Illuminance level setting for night lighting	0xB9	Indicates the illuminance level of night lighting in %.	unsigned char	1 byte	%	Set/Get			
		0x00-0x64 (0-100%)							
Illuminance level step setting for night lighting	0xBA	Used to set the illuminance level by the number of steps for night lighting and to acquire the current setting status.	unsigned char	1 byte	-	Set/Get			
		0x01 to the maximum value of settable illuminance level (dark to bright)							
Light color setting for main lighting	0xBB	Used to set the light color for main lighting.	unsigned char	1 byte	-	Set/Get			
		Incandescent lamp color=0x41, white=0x42, daylight white=0x43, daylight color=0x44, other=0x40							
Light color level step setting for main lighting	0xBC	Used to set the light color level by the number of steps for main lighting and to acquire the current setting.	unsigned char	1 byte	-	Set/Get			
		0x01 to the maximum value of settable light color level (incandescent lamp color to white)							
Light color setting for night lighting	0xBD	Used to set the light color for night lighting.	unsigned char	1 byte	-	Set/Get			
		incandescent lamp color=0x41, white=0x42, daylight white=0x43, daylight color=0x44							
Light color level step setting for night lighting	0xBE	Used to set the light color level by the number of steps for night lighting and to acquire the current setting.	unsigned char	1 byte	-	Set/Get			
		0x01 to the maximum value of settable light color level (incandescent lamp color to white)							
Lighting mode status in auto mode	0xBF	Used to acquire the current lighting mode in auto mode.	unsigned char	1 byte	-	Get			
		main lighting=0x42, night lighting=0x43, off=0x44, color lighting=0x45							
RGB setting for color lighting	0xC0	Used to set the RGB value for color lighting and to acquire the current setting.	unsigned char × 3	3 bytes	-	Set/Get			
		Byte 1: R Byte 2: G Byte 3: B 0x00-0xFF (0-255) Minimum brightness=0x00, maximum brightness=0xFF							
ON timer reservation setting	0x90	Reservation ON/OFF	unsigned char	1 byte	-	Set/Get			
		Reservation ON=0x41, Reservation OFF=0x42							
ON timer setting	0x91	Timer value HH:MM	unsigned char × 2	2 bytes	-	Set/Get			
		0-0x17: 0-0x3B (=0-23);(=0-59)							
OFF timer reservation setting	0x94	Reservation ON/OFF	unsigned char	1 byte	-	Set/Get			
		Reservation ON=0x41, Reservation OFF=0x42							
OFF timer setting	0x95	Timer value HH:MM	unsigned char × 2	2 bytes	-	Set/Get			
		0-0x17: 0-0x3B (=0-23);(=0-59)							

Note: In the "Announcement at status change" column, ○ denotes mandatory processing when the property is implemented.

(1) Operation status (inherited from the device object super class property)

Operation status ON

When the illuminance level property (0xB0, 0xB2) does not exist: Illuminated.

When the illuminance level property (0xB0, 0xB2) exists: The illuminance level is reflected in the lighting device's illuminance.

When the "Lighting mode" property (0xB6) has Auto mode (0x41), the lighting may be off in Auto mode.

Operation status OFF

Extinguished.

(2) Illuminance level

This property indicates the illuminance level of lighting in % in the current lighting mode setting. This property is used to set the illuminance level and to acquire the current setting. If the illuminance level setting of the actual device is smaller or greater than the property value in %, the value of the actual device shall be assigned to this property.

When this property and the "Illuminance level step setting" property (0xB2) are implemented, their values must be associated with each other.

The Illuminance level setting indicated by this property is that of the actual device when the "Lighting mode setting" property (0xB6) does not have the Auto function (0x41) or when the function is implemented but the lighting mode setting is Main lighting (0x42) or Night lighting (0x43). When the lighting mode setting is Auto (0x41), the illuminance level setting at the time of acquisition is recommended. Since the illuminance level setting indicated by this property is unknown in the Auto status, the property value shall be 0xFD (setting unknown).

Even when the "Operation status" property (0x80) is OFF (0x31), the effectiveness of this property shall be guaranteed.

(3) Light color setting

This property is used to set a light color (incandescent lamp color/white/daylight white/daylight color/other) of lighting in the current "Lighting mode setting" and to acquire the current setting. "Other" means a light color not belonging to any specified color. Only property values for functions supported by a device of this class may be

implemented. For a device of this class not supporting the daylight white function, there is no need to implement 0x43 for daylight white. When this property and the "Light color level step setting" property (EPC = 0xB3) are implemented, their values must be associated with each other.

The light color setting indicated by this property is that of the actual device when the "Lighting mode setting" property (0xB6) does not have the Auto function (0x41) or when the function is implemented but the lighting mode setting is Main lighting (0x42) or Night lighting (0x43). When the lighting mode setting is Auto (0x41), the lighting mode setting at the time of acquisition is recommended. Since the light color setting indicated by this property is unknown in the Auto status, the property value shall be 0xFD (setting unknown).

Even when the "Operation status" property (0x80) is OFF (0x31), the effectiveness of this property shall be guaranteed.

(4) Illuminance level step setting

This property indicates the illuminance level of lighting in the current "Lighting mode setting" by the number of steps. This property is also used to set the illuminance level and to acquire the current setting. The maximum value of settable illuminance level is acquired by the "Maximum value of settable level" property (EPC = 0xB4) and the "Maximum value of night lighting settable level" property (EPC = 0xB5). No actual value is specified for illuminance level. However, the illuminance decreases as the level setting becomes smaller and increases as it becomes greater. Only property values for functions supported by a device of this class may be implemented. When this property and the "Illuminance level setting" property (EPC = 0xB0) are implemented, their values must be associated with each other. With this property, the "Maximum settable level" property (0xB4) must be implemented. When the "Night lighting" function (0x43) of the "Lighting mode setting" property (0xB6) is implemented, the "Maximum value of night lighting settable level" property (0xB5) must also be implemented.

The illuminance level step setting indicated by this property is that of the actual device when the "Lighting mode setting" property (0xB6) does not have the Auto function (0x41) or when the function is implemented but the lighting mode setting is Main lighting (0x42) or Night lighting (0x43). When the lighting mode setting is Auto (0x41), the illuminance level step setting at the time of acquisition is recommended. Since the illuminance level step setting indicated by this property is unknown in the Auto status, the property value shall be 0x00 (setting unknown).

Even when the "Operation status" property (0x80) is OFF (0x31), the effectiveness of this property shall be guaranteed.

(5) Light color step setting

This property indicates the light color level of lighting in the current "Lighting mode setting" by the number of steps. This property is also used to set the light color and to acquire the current setting. The maximum value of settable light color level is acquired by the "Maximum value of settable level" property (EPC = 0xB4) and the "Maximum value of night lighting settable level" property (EPC = 0xB5). No actual value is specified for light color level. However, the light color becomes closer to incandescent lamp color as the level setting becomes smaller and closer to white as it becomes greater. Only property values for functions supported by a device of this class may be implemented. When this property and the "Light color setting" property (EPC = 0xB1) are implemented, their values must be associated with each other. With this property, the "Maximum settable level" property (0xB4) must be implemented. When the "Night lighting" function (0x43) of the "Lighting mode setting" property (0xB6) is implemented, the "Maximum value of night lighting settable level" property (0xB5) must also be implemented.

The light color step setting indicated by this property is that of the actual device when the "Lighting mode setting" property (0xB6) does not have the Auto function (0x41) or when the function is implemented but the lighting mode setting is Main lighting (0x42) or Night lighting (0x43). When the lighting mode setting is Auto (0x41), the light color level step setting at the time of acquisition is recommended. Since the light color level step setting indicated by this property is unknown in the Auto status, the property value shall be 0x00 (setting unknown).

Even when the "Operation status" property (0x80) is OFF (0x31), the effectiveness of this property shall be guaranteed.

(6) Maximum specifiable values

Used to acquire the maximum specifiable illuminance level and light color values for main lighting. This is a 2-byte property. The first byte represents the maximum specifiable illuminance level step value, and the second byte represents the maximum specifiable light color step value. Each of the 2 bytes indicates the respective maximum specifiable value using a 255-step scale (0x01 to 0xFF). The maximum specifiable value for an unimplemented function shall be 0x00.

(7) Maximum value of settable level for night lighting

Used to acquire the maximum specifiable illuminance level and light color values for night lighting. This is a 2-byte property. The first byte represents the maximum specifiable illuminance level step value, and the second byte represents the maximum specifiable light color step value. Each of the 2 bytes indicates the respective maximum specifiable value using a 255-step scale (0x01 to 0xFF). The maximum specifiable value for an unimplemented function shall be 0x00.

(8) Lighting mode setting

This property is used to set auto, main lighting, night lighting, or color lighting and to acquire the current setting.

Auto (0x41): The lighting instrument automatically selects main lighting or night lighting and controls illuminance level setting, illuminance level step setting, light color setting, or light color level step setting by using illuminance sensors and auto dimming algorithms.

Main lighting (0x42): The main light is lit.

Night lighting (0x43): Not the main light but a night light (such as a midget lamp) is lit.

Color lighting (0x45): Color lights are lit.

Only property values for functions supported by a device of this class may be implemented. For a device of this class not supporting the auto function, there is no need to implement 0x41 for auto.

(9) Illuminance level setting for main lighting

This property indicates the illuminance level in % when the "Lighting mode setting" property (EPC = 0xB6) is set to main lighting. This property is also used to set the illuminance level and to acquire the current setting. If the illuminance level setting of the actual device is smaller or greater than the property value in %, the value of the actual device shall be assigned to this property.

This property allows setting and acquisition even when the "Lighting mode setting" property (0xB6) is set to other than main lighting mode. When this property and the "Illuminance level step setting in main lighting mode" property (0xB8) are implemented, their values must be associated with each other.

Even when the "Operation status" property (0x80) is OFF (0x31), the effectiveness of this property shall be guaranteed.

(10) Illuminance level step setting for main lighting

This property indicates the illuminance level by the number of steps when the "Lighting mode setting" property (EPC = 0xB6) is set to main lighting. This property is also used to set the illuminance level and to acquire the current setting. The

maximum value of settable illuminance level is acquired by the "Maximum value of settable level" property (EPC = 0xB4). No actual value is specified for illuminance level. However, the illuminance decreases as the level setting becomes smaller and increases as it becomes greater. Only property values for functions supported by a device of this class may be implemented. When this property and the "Illuminance level setting in main lighting mode" property (EPC = 0xB7) are implemented, their values must be associated with each other. With this property, the "Maximum settable level" property (0xB4) must be implemented.

This property allows setting and acquisition even when the "Lighting mode setting" property (0xB6) is set to other than main lighting mode.

Even when the "Operation status" property (0x80) is OFF (0x31), the effectiveness of this property shall be guaranteed.

(11) Illuminance level setting for night lighting

This property indicates the illuminance level in % when the "Lighting mode setting" property (EPC = 0xB6) is set to night lighting mode. This property is also used to set the illuminance level and to acquire the current setting. If the illuminance level setting of the actual device is smaller or greater than the property value in %, the value of the actual device shall be assigned to this property.

This property allows setting and acquisition even when the "Lighting mode setting" property (0xB6) is set to other than night lighting mode. When this property and the "Illuminance level step setting in night lighting mode" property (0xBA) are implemented, their values must be associated with each other.

Even when the "Operation status" property (0x80) is OFF (0x31), the effectiveness of this property shall be guaranteed.

(12) Illuminance level step setting for night lighting

This property indicates the illuminance level by the number of steps when the "Lighting mode setting" property (EPC = 0xB6) is set to night lighting. This property is also used to set the illuminance level and to acquire the current setting. The maximum value of settable illuminance level is acquired by the "Maximum value of night lighting settable level" property (EPC = 0xB5). No actual value is specified for illuminance level. However, the illuminance decreases as the level setting becomes smaller and increases as it becomes greater. Only property values for functions supported by a device of this class may be implemented. When this property and the "Illuminance level step setting in night lighting mode" property (EPC = 0xB9) are implemented, their values must be associated with each other. With this property, the "Maximum value of night lighting settable level" property (0xB5) must also be implemented.

This property allows setting and acquisition even when the "Lighting mode setting"

property (0xB6) is set to other than night lighting mode.

Even when the "Operation status" property (0x80) is OFF (0x31), the effectiveness of this property shall be guaranteed.

(13)Light color setting for main lighting

This property is used to set a light color (incandescent lamp color0x41/white0x42/daylight white0x43/daylight color0x44/other0x40) when the "Lighting mode setting" property (EPC = 0xB6) is set to main lighting and to acquire the current setting. "Other" means a light color not belonging to any specified color. Only property values for functions supported by a device of this class may be implemented. For a device of this class not supporting the daylight white function, there is no need to implement 0x43 for daylight white.

This property allows setting and acquisition even when the "Lighting mode setting" property (0xB6) is set to other than main lighting mode. When this property and the "Light color level step setting in main lighting mode" property (0xBC) are implemented, their values must be associated with each other.

Even when the "Operation status" property (0x80) is OFF (0x31), the effectiveness of this property shall be guaranteed.

(14)Light color level step setting for main lighting

This property indicates the light color level by the number of steps when the "Lighting mode setting" property (EPC = 0xB6) is set to main lighting. This property is also used to set the light color level and to acquire the current setting. The maximum value of settable light color level is acquired by the "Maximum value of settable level" property (EPC = 0xB4). No actual value is specified for light color level. However, the light color becomes closer to incandescent lamp color as the level setting becomes smaller and closer to white as it becomes greater. Only property values for functions supported by a device of this class may be implemented. Whenever this property is implemented, the "Maximum value of settable level" property (EPC = 0xB4) shall also be implemented.

This property allows setting and acquisition even when the "Lighting mode setting" property (0xB6) is set to other than main lighting mode. When this property and the "Light color setting in main lighting mode" property (0xBB) are implemented, their values must be associated with each other.

Even when the "Operation status" property (0x80) is OFF (0x31), the effectiveness of this property shall be guaranteed.

(15)Light color setting for night lighting

This property is used to set a light color (incandescent lamp color0x41/white0x42/daylight white0x43/daylight color0x44/other0x40) when the

"Lighting mode setting" property (EPC = 0xB6) is set to night lighting and to acquire the current setting. "Other" means a light color not belonging to any specified color. Only property values for functions supported by a device of this class may be implemented. For a device of this class not supporting the daylight white function, there is no need to implement 0x43 for daylight white.

This property allows setting and acquisition even when the "Lighting mode setting" property (0xB6) is set to other than night lighting mode. When this property and the "Light color level step setting in night lighting mode" property (0xBE) are implemented, their values must be associated with each other.

Even when the "Operation status" property (0x80) is OFF (0x31), the effectiveness of this property shall be guaranteed.

(16)Light color level step setting for night lighting

This property indicates the light color level by the number of steps when the "Lighting mode setting" property (EPC = 0xB6) is set to night lighting. This property is also used to set the light color level and to acquire the current setting. The maximum value of settable light color level is acquired by the "Maximum value of night lighting settable level" property (EPC = 0xB5). No actual value is specified for light color level. However, the light color becomes closer to incandescent lamp color as the level setting becomes smaller and closer to white as it becomes greater. Only property values for functions supported by a device of this class may be implemented. Whenever this property is implemented, the "Maximum value of night lighting settable level" property (0xB5) shall also be implemented.

This property allows setting and acquisition even when the "Lighting mode setting" property (0xB6) is set to other than night lighting mode. When this property and the "Light color setting in night lighting mode" property (0xBD) are implemented, their values must be associated with each other.

Even when the "Operation status" property (0x80) is OFF (0x31), the effectiveness of this property shall be guaranteed.

(17)Lighting mode status in auto mode

This property is used to acquire the lighting status of an actual device when the "Lighting mode setting" property (EPC = 0xB6) is set to auto (0x41), main lighting (0x42), night lighting (0x43), off (0x44), or color lighting (0x45).

Only property values for functions supported by a device of this class may be implemented. For a device of this class not supporting the night lighting function, there is no need to implement 0x43 for night lighting.

(18)RGB setting in color lighting mode

This property is used to set the RGB value when the "Lighting mode setting"

property (EPC = 0xB6) is set to color lighting (0x45) and to acquire the current setting. No actual value is specified for RGB. Only property values for functions supported by a device of this class may be implemented. If the RGB setting by this property is not acceptable, the closest acceptable value is set. This property allows setting and acquisition even when the "Lighting mode setting" property (0xB6) is set to other than color lighting mode (0x45).

(19) ON timer reservation setting

Specifies whether the ON timer reservation is ON or OFF. This property shall be related to the "ON timer setting" property.

Reservation ON=0x41; reservation OFF=0x42

This property shall be effective even when the value of the "Operation status" property (0x80) is OFF (0x31).

(20) ON timer setting

This property indicates when the setting of the "ON timer reservation setting" property is "ON," the time at which the device will be turned on. The "hour (0x00 to 0x17 (0 to 23)) : minute (0x00 to 0x3B (0 to 59))" format shall be used, with the higher- and lower-order bytes used for the "hour" and "minute" values, respectively.

This property shall be effective even when the value of the "Operation status" property (0x80) is OFF (0x31).

(21) OFF timer reservation setting

Specifies whether the OFF timer reservation is ON or OFF. This property shall be related to the "OFF timer setting" property.

Reservation ON=0x41; reservation OFF=0x42

This property shall be effective even when the value of the "Operation status" property (0x80) is OFF (0x31).

(22) OFF timer setting

This property indicates when the setting of the "OFF timer reservation setting" property is "ON," the time at which the device will be turned off. The "hour (0x00 to 0x17 (0 to 23)) : minute (0x00 to 0x3B (0 to 59))" format shall be used, with the higher- and lower-order bytes used for the "hour" and "minute" values, respectively.

This property shall be effective even when the value of the "Operation status" property (0x80) is OFF (0x31).

3. 3. 31 Requirements for mono functional lighting class

Class group code : 0x02

Class code : 0x91

Instance code : 0x01–0x7F (0x00: All-instance specification code)

Property name	EPC	Contents of property	Data type	Data size	Unit	Access rule	Mandatory	Announcement at status change	Remark
		Value range (decimal notation)							
Operation status	0x80	This property indicates the ON/OFF status.	unsigned char	1 byte	—	Set	○	○	
		ON=0x30, OFF=0x31				Get	○		
Illuminance level setting	0xB0	This property indicates illuminance level in %.	unsigned char	1 byte	%	Set/Get			
		0x00 – 0x64 (0 – 100%)							

Note: In the “Announcement at status change” column, ○ denotes mandatory processing when the property is implemented.

This class is used for lighting not supported by general lighting class requirements. Operation status settings of ON (when switched on) / OFF (when extinguished) are possible, irrespective of the lighting mode.

(1) Operation status (inherited from the device object super class property)

This property indicates whether the status of lighting devices is ON (switched on) or OFF (extinguished).

(2) Illuminance level setting

This property indicates the current illuminance level of lighting in %. This property is used to set the illuminance level and to acquire the current setting. If the illuminance level setting of the actual device is smaller or greater than the property value in %, the value of the actual device must be assigned to the property value in % required for this property.

Even when the operation status property (0x80) is OFF (0x31), the effectiveness of this property shall be guaranteed.

3. 3. 32 Requirements for buzzer class

Class group code : 0x02

Class code : 0xA0

Instance code : 0x01–0x7F (0x00: All-instance specification code)

Property name	EPC	Contents of property	Data type	Data size	Unit	Access rule	Mandatory	Announcement at status change	Remark
		Value range (decimal notation)							
Operation status	0x80	This property indicates the ON/OFF status.	unsigned char	1 byte	—	Set		○	
		ON=0x30, OFF=0x31				Get			
Sound generation setting	0xB1	This property indicates buzzer sound generation setting.	unsigned char	1 byte	–	Set/Get			
		Buzzer enabled = 0x41, buzzer disabled = 0x42							
Buzzer sound type	0xE0	This property indicates 8 different types of buzzer sound.	unsigned char	1 byte	–	Set/Get			
		0x31–0x38							

Note: In the “Announcement at status change” column, ○ denotes mandatory processing when the property is implemented.

(1) Operation status (inherited from the device object super class property)

This property indicates whether the function native to this class is operating or not (ON or OFF).

In the node mounting this class, if the function of this class starts operating concurrently with the start of node operation, this property may be implemented at a fixed value of 0x30 (operation status ON).

(2) Sound generation setting

This property indicates the buzzer sound generation setting.

The value 0x41 shall be used when the buzzer is enabled. The value 0x42 shall be used when the buzzer is disabled.

(3) Buzzer sound type

This property indicates the types of buzzer sound.

The relationship between specific values and sound types is not stipulated.

3. 3. 33 Requirements for electric vehicle charger class

Class group code : 0x02

Class code : 0xA1

Instance code : 0x01–0x7F (0x00: All-instance specification code)

Property name	EPC	Contents of property	Data type	Data size	Unit	Access rule	Mandatory	Announcement at status change	Remark
		Value range (decimal notation)							
Operation status	0x80	This property indicates the ON/OFF status.	unsigned char	1 byte	—	Set		○	
		ON=0x30, OFF=0x31				Get			
Rated charge capacity	0xC5	This property indicates the rated charge capacity of an electric vehicle charger in W	unsigned long	4 bytes	W	Get	○		
		0x00000000-0x3B9AC9FF (0-999,999,999W)							
Vehicle connection and chargeable status	0xC7	This property indicates whether an electric vehicle charger can be charged	unsigned char	1 byte	—	Get	○	○	
		Undetermined = 0xFF Vehicle not connected = 0x30 Connected to vehicle, Not chargeable = 0x40 Connected to vehicle, Chargeable = 0x41 Vehicle connection and chargeable/dischargeable status unknown=0x44							
Minimum/maximum charging electric energy	0xC8	This property indicates the minimum and maximum values of charging electric energy to an electric vehicle charger, respectively, in W	unsigned long ×2	8 bytes	W	Get			
		0x00000000-0x3B9AC9FF (0-999,999,999W) Minimum charging electric energy : Maximum charging electric energy							
Minimum/maximum charging current	0xCA	This property indicates the minimum and maximum values of charging current to an electric vehicle charger, respectively, in units of 0.1A	unsigned short ×2	4 bytes	0.1A	Get			
		0x0000-0x7FFE (0-3,276.6A) Minimum charging current : Maximum charging current							
Charger type	0xCC	This property indicates the type of electric vehicle charger	unsigned char	1 byte	—	Get	○		Note 4
		AC_CPLT = 0x11 AC_HLC (charging only) = 0x12 DC_type AA (charging only) = 0x21 DC_type BB (charging only) = 0x31 DC_type EE (charging only) = 0x41 DC_type FF (charging only) = 0x51							
Vehicle connection confirmation	0xCD	This property confirms the connection status between an electric vehicle charger and a vehicle	unsigned char	1 byte	—	Set	○		Note 1

		Connection confirmation = 0x10							
Chargeable capacity of vehicle mounted battery	0xCE	This property indicates the chargeable capacity of a vehicle battery connected to an electric vehicle charger in “Wh”.	Unsigned long	4 bytes	Wh	Get	○		Note 5
		0x00000000 to 0x3B9AC9FF (0 to 999,999,999 Wh)							
Remaining chargeable capacity of vehicle mounted battery	0xCF	This property indicates the remaining chargeable capacity of a vehicle battery connected to an electric vehicle charger in “Wh”.	Unsigned long	4 bytes	Wh	Get	○		Note 5
		0x00000000 to 0x3B9AC9FF (0 to 999,999,999 Wh)							
Used capacity of vehicle-mounted battery 1	0xD0	This property indicates the capacity of a vehicle-mounted battery of an electric vehicle connected to an electric vehicle charger in Wh	unsigned long	4 bytes	Wh	Get	○		Note 2
		0x00000000-0x3B9AC9FF (0-999,999,999Wh)							
Rated voltage	0xD2	This property indicates the normal rated voltage of an electric vehicle charger in V	unsigned short	2 bytes	V	Get			
		0x0000-0x7FFE (0-32,766V)							
Measured instantaneous charging electric energy	0xD3	This property indicates the instantaneous charging electric energy in W	signed long	4 bytes	W	Get			
		0x00000000-0x3B9AC9FF (0-999,999,999W)							
Measured cumulative amount of charging electric energy	0xD8	This property indicates the cumulative amount of charging electric energy in units of 0.001kWh	unsigned long	4 bytes	0.001 kWh	Get			
		0x00000000-0x3B9AC9FF (0-999,999.999kWh)							
Cumulative amount of charging electric energy reset setting	0xD9	This property resets the cumulative amount of charging electric energy	unsigned char	1 byte	—	Set			
		Reset = 0x00							
Operating mode setting	0xDA	This property sets the operating mode (Charging / Standby / Idle / Other)	unsigned char	1 byte	—	Set /Get	○	○	
		Charging = 0x42, Standby = 0x44, Idle = 0x47, Other = 0x40							
Remaining stored electricity of vehicle-mounted battery 1	0xE2	This property indicates the remaining stored electricity of a vehicle-mounted battery of an electric vehicle connected to an electric vehicle charger in Wh	unsigned long	4 bytes	Wh	Get	○		Note 3
		0x00000000-0x3B9AC9FF (0-999,999,999Wh)							
Remaining stored electricity of vehicle-mounted battery 3	0xE4	This property indicates the remaining stored electricity of a vehicle-mounted battery an electric vehicle connected to an electric vehicle charger in %	unsigned char	1 byte	%	Get	○		Note 3
		0x00-0x64 (0-100%)							
Vehicle ID	0xE6	This property indicates the vehicle ID information of an electric vehicle connected to an electric vehicle charger.	Unsigned char	MAX 25 bytes	—	Get	○		

		First byte (data size for vehicle ID information): 0x01 through 0x18 (1-24), 0x00 if no vehicle ID is available. Second and succeeding bytes (vehicle ID information): data specified for each vehicle. No second and succeeding bytes exist if no vehicle ID information is available.							
Charging amount setting	0xE7	This property specifies the charging electric energy in "Wh".	Unsigned long	4 bytes	Wh	Set/Get			
		0x00000000 to 0x3B9AC9FF (0 to 999,999,999 Wh)							
Charging electric energy setting	0xEB	This property designates the charging electric energy in W	unsigned long	4 bytes	W	Set/Get			
		0x00000000-0x3B9AC9FF (0-999,999,999W)							
Charging current setting	0xED	This property designates the charging current in units of 0.1A	unsigned short	2 bytes	0.1A	Set/Get			
		0x0000-0xFFFD (0-6,553.3A)							

Note: In the "Announcement at status change" column, ○ denotes mandatory processing when the property is implemented.

Note 1: "Vehicle connection confirmation" is only mandatory when the charger type is DC_type AA.

Note 2: "Used capacity of vehicle-mounted battery 1" is mandatory in cases of output from an electric vehicle connected to an electric vehicle charger. If no response can be returned, "Response impossible" is returned.

Note 3: Installation of either "Remaining stored electricity of vehicle-mounted battery 1" or "Remaining stored electricity of vehicle-mounted battery 3" is mandatory in cases of output from an electric vehicle connected to an electric vehicle charger. If no response can be returned, "Response impossible" is returned.

Note 4: DC_type AA, DC_type BB, DC_type EE and DC_type FF charger shall be electric vehicle chargers with connectors of the shape specified in Configuration AA, Configuration BB, Configuration EE and Configuration FF as defined in IEC 62196-3.

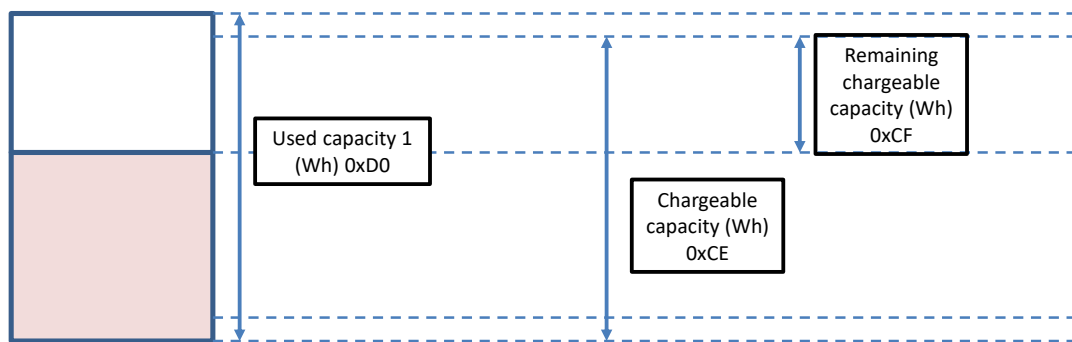
Note 5: The installation of "chargeable capacity of vehicle mounted battery" and "chargeable capacity of vehicle mounted battery" is mandatory in case of output from an electric vehicle connected to an electric vehicle charger.

*Electric vehicle chargers are chargers that include Electric Vehicle Power Systems (EVPS) connected to electric vehicles. Since an electric vehicle connected to an electric vehicle charger can be changed, the property values of the electric vehicle charger will also vary in accordance with the electric vehicle connected to the electric vehicle charger. Therefore, when the "Vehicle connection and chargeable status" changes from "Not

connected to vehicle” to “Connected to vehicle”, the connected electric vehicle may be different. For this reason, it is preferable to re-acquire property values for specifications determined by the electric vehicle and EVPS.

For example: Used capacity of vehicle-mounted battery 1

Note that AC is assumed for currents, voltages and electric energies handled in this class. A relationship between the properties related to electric energy that are handled in this class is shown below. Actual capacities shall be determined based on the information from the electric vehicle connected to a charger, considering the efficiency of chargers.



However, following properties of properties to be implemented on electric vehicle chargers shall be output as information of electric vehicle charger, instead of information based on those acquired from the electric vehicle charger.

- 0x80: Operation status
- 0xC5: Rated charge capacity
- 0xC8: Minimum/maximum charging electric energy
- 0xCA: Minimum/maximum charging current
- 0xCC: Charger type
- 0xD2: Rated voltage
- 0xD3: Measured instantaneous charging electric energy
- 0xD8: Measured cumulative amount of charging electric energy
- 0xDA: Operation mode setting

For properties to be implemented for an electric vehicle charger, information to be acquired from a vehicle connected to an electric vehicle charger shall be indicated in a form of an example of a connection between an electric vehicle charger and a DC-type AA vehicle for the concept of converting into an applicable property. (Note that the maximum charge efficiency of the chargers indicated in this chapter shall be 1.)

The terms to be used in following detailed descriptions shall be defined as follows.

- Total battery capacity: “used capacity of vehicle mounted battery 1” property
 - Charging rate of the battery: “remaining stored electricity of vehicle mounted battery 3” property
 - Constant number for charging rate indication: a fixed number to indicate charging rate (100% (0x64))
 - Charge upper limit for charging rate: the upper limit value that a vehicle can allow charging.
 - Charger charge efficiency: conversion efficiency between direct current and alternating current when charged from an electric vehicle charger
- (1) Operation status (property inherited from the device object super class)
This property indicates whether an electric vehicle charger is ready to acquire status and accept settings (ON) or not (OFF). The property value is 0x30 for ON and 0x31 for OFF.
- (2) Rated charge capacity
This property indicates the rated charge capacity of an electric vehicle charger in units of watts. The value range for this property shall be 0x00000000-0x3B9AC9FF (0-999,999,999W).
- (3) Vehicle connection and chargeable status
This property indicates whether an electric vehicle charger can be charged. The property value is 0x30 when no vehicle is connected, 0x40 when a vehicle is connected but not chargeable, 0x41 when the vehicle is chargeable, and 0x44 when chargeable status is known.
“0x44” shall be used also, if the vehicle status is unknown until charging or is started, the chargeable status shall be output when a charging start instruction is given. If the connection status of a vehicle cannot be determined, this property indicates 0xFF as the undetermined status.
Vehicle connection and chargeable status shall be determined according to the combination of following information.
- Vehicle connection/disconnection confirmation
Vehicles shall be considered “connected” when a charger connector is locked and/or a signal line between the charger and the vehicle is connected. Vehicles shall be considered “not connected” (0x30) when a charger connector is not locked and/or a signal line between the charger and the vehicle is not connected.

- Chargeable/not chargeable determination

Shall be determined based on vehicle connection status.

When a vehicle does not support a discharging, the vehicle shall be chargeable.

When a vehicle supports a discharging, and a charge upper limit for charging rate is not 0, and charging rate is lower than charge upper limit for charging rate, the vehicle shall be chargeable.

When a vehicle supports a discharging, and a charge upper limit for charging rate is 0, the vehicle shall be chargeable.

When a vehicle does not support charging, the vehicle shall not be chargeable.

(4) Minimum/maximum charging electric energy

This property indicates the minimum and maximum charging electric energies to an electric vehicle charger in units of watts. The value range of each is 0x00000000-0x3B9AC9FF (0-999,999,999W). The property value represents minimum and maximum in sequence from the highest-order byte. When the property value of the actual device is higher than the property value range, overflow code 0xFFFFFFFF shall be used.

(5) Minimum/maximum charging current

This property indicates the minimum and maximum charging currents of an electric vehicle charger in units of 0.1A. The value range of each is 0x0000-0x7FFE (0-3,276.6A). The property value represents minimum and maximum in sequence from the highest-order byte. When the property value of the actual device is higher than the property value range, overflow code 0xFFFF shall be used.

(6) Charger type

This property indicates the type of electric vehicle charger. As the type of electric vehicle charger, it indicates one of AC_CPLT (0x11), AC_HLC (charging only) (0x12), DC_type AA (charging only) (0x21), DC_type BB (charging only) (0x31), DC_type EE (charging only) (0x41), and DC_type FF (charging only) (0x51).

Explanation of charger types

- AC_CPLT (0x11): Uses alternating current to charge the electric vehicle and CPLT signals to communicate with the electric vehicle.
- AC_HLC (charging only) (0x12): Uses alternating current to charge the electric vehicle and both CPLT and HLC signals to communicate with the electric vehicle.

- DC_type AA (charging only) (0x21): Uses direct current to charge the electric vehicle and type AA signals to communicate with the electric vehicle.
- DC_type BB (charging only) (0x31): Uses direct current to charge the electric vehicle and type BB signals to communicate with the electric vehicle.
- DC_type EE (charging only) (0x41): Uses direct current to charge the electric vehicle and type EE signals to communicate with the electric vehicle.
- DC_type FF (charging only) (0x51): Uses direct current to charge the electric vehicle and type FF signals to communicate with the electric vehicle.

Explanation of the relationship between charger type and “Vehicle connection and chargeable status” (0xC7)

- AC_CPLT (0x11): Always undetermined (0xFF).
- AC_HLC (charging only) (0x12): Undetermined (0xFF) when only CPLT functions are installed in the connected vehicle. When both CPLT and HLC functions are installed in the vehicle, the content is as indicated under vehicle connection and chargeable status (0xC7).
- DC_type AA (charging only) (0x21): Undetermined (0xFF) until information is acquired via vehicle connection confirmation (0xCD). After information is acquired, the content is as indicated under vehicle connection and chargeable status (0xC7).
- DC_type BB (charging only) (0x31), DC_type EE (charging only) (0x41) and DC_type FF (charging only) (0x51): Content is as indicated under vehicle connection and chargeable status (0xC7).

(7) Vehicle connection confirmation

This property confirms the connection status between an electric vehicle charger and an electric vehicle. “Connection status” shall mean a status that a charger connector is locked and/or a signal line between the charger and a vehicle is connected.

This property is only mandatory if the electric vehicle charger type is one of DC_type AA (charging only) (0x21).

(8) Used capacity of vehicle-mounted battery 1 (total battery capacity)

This property indicates the capacity of a battery fitted in an electric vehicle connected to an electric vehicle charger, in units of Wh. The value range for this property shall be 0x00000000-0x3B9AC9FF (0-999,999,999Wh).

Shall be output based on information acquired from the vehicle.

(9) Rated voltage

This property indicates the normal rated voltage of an electric vehicle charger in units of V. The value range for this property shall be 0x0000-0x7FFE (0-32,766V).

(10) Measured instantaneous charging electric energy

This property indicates the instantaneous electric energy when charging an electric vehicle charger, in units of watts. In case of charging, the value range for this property is 0x00000000-0x3B9AC9FF (0-999,999,999W). When the property value of the actual device is higher than the property value range, overflow code 0x7FFFFFFF shall be used. The value when not charging is 0.

(11) Measured cumulative amount of charging electric energy

This property indicates the cumulative amount of electric energy when charging an electric vehicle charger, in units of 0.001kWh. The value range for this property shall be 0x00000000-0x3B9AC9FF (0-999,999.999kWh). When the cumulative amount of electric energy overflows, the property value shall be incremented again from 0x00000000.

(12) Cumulative amount of charging electric energy reset setting

This property is set to 0x00 to reset the measured cumulative amount of charging electric energy to zero.

(13) Operating mode setting

This property indicates the operating mode of an electric vehicle charger. As operating modes, it indicates one of Charging (0x42), Standby (0x44), Idle (0x47) and Other (0x40).

“Other” indicates that the charger is not in one of Charging, Standby or Idle modes.

(14) Remaining stored electricity of vehicle-mounted battery 1

This property indicates the remaining stored electricity of a battery fitted in an electric vehicle connected to an electric vehicle charger, in Wh. The value range for this property shall be 0x00000000-0x3B9AC9FF (0-999,999,999Wh).

Based on information obtained from the vehicle, calculation shall be implemented using following formula: Note that the charge efficiency shall not be included in the electric vehicle charger.

Total battery capacity × charging rate of the battery ÷ 100

(15) Remaining stored electricity of vehicle-mounted battery 3 (charging rate)

This property indicates the remaining stored electricity of a battery fitted in an electric vehicle connected to an electric vehicle charger (SOC: State of Charge) in %. The value range for this property shall be 0x00-0x64 (0-100%).

Shall be output based on information acquired from the vehicle.

(16) Charging electric energy setting

This property designates the amount of electric energy to the electric vehicle charger when charging, in units of watts. The value range for this property shall be 0x00000000-0x3B9AC9FF (0-999,999,999W).

(17) Charging current setting

This property designates the amount of electric current to the electric vehicle charger when charging, in units of 0.1A. The value range for this property shall be 0x0000-0xFFFFD (0-6,553.3A).

(18) Chargeable capacity of vehicle mounted battery

This property indicates the chargeable capacity of a vehicle battery connected to an electric vehicle charger in a unit of “Wh”. The property value range is 0x00000000 to 0x3B9AC0FF (0 to 999,999,999 Wh).

Based on information obtained from the vehicle, calculation shall be implemented using following formula:

$(\text{Total battery capacity} \times \text{charge upper limit for charging rate} \div 100) \div \text{charger charge efficiency}$

(19) Remaining chargeable capacity of vehicle mounted battery

This property indicates the remaining chargeable capacity of a vehicle battery connected to an electric vehicle charger in a unit of “Wh”. The property value range is 0x00000000 to 0x3B9AC0FF (0 to 999,999,999 Wh).

Based on information obtained from the vehicle, calculation shall be implemented using following formula:

$(\text{Total battery capacity} \times (\text{charge upper limit for charging rate} - \text{charging rate of the battery}) \div 100) \div \text{charger charge efficiency}$

(20) Vehicle ID

This property stores the data size of the vehicle ID information of an electric vehicle connected to an electric vehicle charger and vehicle ID information. Data length shall be variable, and it shall be vehicle ID information + 1. If vehicle ID cannot be acquired, 0x00 shall be stored in the first byte (number of bytes of vehicle ID information). In this case, data size shall be 1 byte.



Note that this property shall be effective when a value of the vehicle connection and chargeable status (0xC7) is 0x40, 0x41, and 0x44. Using the vehicle ID for billing purposes is not recommended due to potential security issues.

(21) Charging amount setting

This property specifies the charging electric energy in a unit of “Wh”. The property value range is 0x00000000 to 0x3B9AC0FF (0 to 999,999,999 Wh). The property value “0x00000000” shall be “not set”. During charging operation based on this setting value, there is no change in the value based on the charging energy (there is no successive change corresponding to actual performance of charging energy). If this property is set during charging operation based on this setting value, charging shall start based on the cumulative value of electric energy from the point in time indicated by the charging amount setting if reflected, regardless of the charged amount. When charging operation based on this setting value is completed, the operation mode setting becomes “Standby”. There are also cases where charging ends without the electric energy set for this setting value being charged. If charging until the chargeable capacity of vehicle mounted battery becomes 0, specify a value greater than the chargeable capacity of vehicle mounted battery for this setting value.

3. 3. 34 Household small wind turbine power generation

Class group code : 0x02

Class code : 0xA2

Instance code : 0x01~0x7F (0x00: All-instance specification code)

Property name	EPC	Contents of property	Data type	Data size	Unit	Access rule	Mandatory	Announcement at status change	Remark
		Value range (decimal notation)							
Operation status	0x80	This property indicates the ON/OFF status	unsigned char	1 byte	-	Set		○	(1)
		ON=0x30, OFF=0x31				Get			
System interconnection status	0xD0	This property indicates system interconnection status	unsigned char	1 byte	-	Get			(2)
		System-linked type = 0x00 Independent type = 0x01 Hybrid type = 0x02							
Measured instantaneous amount of electricity Generated	0xE0	This property indicates instantaneous generated power in W.	unsigned short	2 bytes	W	Get	○		(3)
		0x0000-0xFFFFD (0-65533)							
Measured cumulative amount of electricity generated	0xE1	This property indicates integral electric energy in 0.001 kWh.	unsigned long	4 bytes	0.001 kWh	Get	○		(4)
		0x0-0x3B9AC9FF (0-999999.999 kWh)							
Resetting cumulative amount of electricity generated	0xE2	Resets integral generated electric energy by setting 0x00.	unsigned char	1 byte	-	Set			(5)
		Reset = 0x00							
Measured cumulative amount of electricity sold	0xE3	Indicates integral value of sold power in 0.001 kWh.	unsigned long	4 bytes	0.001 kWh	Get			(6)
		0x0-0x3B9AC9FF (0-999999.999 kWh)							
Resetting cumulative amount of electricity sold	0xE4	Resets integral sold electric energy by setting 0x00.	unsigned char	1 byte	-	Set			(7)
		Reset = 0x00							
Power generation output limit setting 1	0xE5	Specifies the power generation output as a percentage of the rated power generation output and to acquire the current setting.	unsigned char	1 byte	%	Set/Get			(8)
		0x00 to 0x64 (0 to 100%)							
Power generation output limit setting 2	0xE6	Specifies the power generation output in watts and to acquire the current setting.	unsigned short	2 bytes	W	Set/Get			(9)
		0x0000 to 0xFFFFD (0-65533)							
Limit setting for the amount of electricity sold	0xE7	Specifies, in watts, the amount of electricity sold and to acquire the current setting.	unsigned short	2 bytes	W	Set/Get			(10)
		0x0000 to 0xFFFFD (0-65533)							

Rated power	0xE8	This property indicates the rated power generation output in watts.	unsigned short	2 bytes	W	Get			(11)
		0x0000 to 0xFFFFD (0-65533)							
Measured wind speed	0xEA	This property indicates the Wind Speed in meters per second.	unsigned char	1 byte	m/s	Get			(12)
		0x00 to 0xFD (0-253)							
Rated wind speed ¹	0xEB	This property indicates the rated wind speed in meters per second.	unsigned char	1 byte	m/s	Get			(13)
		0x00 to 0xFD (0 to 253)							
Cut-in wind speed	0xEC	This property indicates the cut-in wind speed in meters per second.	unsigned char	1 byte	m/s	Get			(14)
		0x00 to 0xFD (0 to 253)							
Cut-out wind speed	0xED	This property indicates the cut-out wind speed in meters per second.	unsigned char	1 byte	m/s	Get			(15)
		0x00 to 0xFD (0 to 253)							
Extreme wind speed	0xEE	This property indicates the Extreme wind speed in meters per second.	unsigned char	1 byte	m/s	Get			(16)
		0x00 to 0xFD (0 to 253)							
Braking status	0xEF	This property indicates the braking status of wind turbine.	unsigned char	1 byte	-	Set/Get	○	○	(17)
		ON=0x30, OFF=0x31							

Note 1: In the “Announcement at status change” column, ○ denotes mandatory processing when the property is implemented.

(1) Operation status inherited from the property of device object super-class.

This property indicates the operation status as a Household small wind turbine power generation inverter. The status where power is supplied to the system side shall be defined as the “Operating status”

(2) System interconnection status

This property indicates system interconnection status. System interconnection type = 0x00, Independent type = 0x01, Hybrid type = 0x02

(3) Measured instantaneous amount of electricity generated

This property indicates the instantaneous output in watts. The property value range shall be 0x0000 to 0xFFFFD. When the property value of the actual piece of equipment is higher than the upper limit of the property value range, the overflow code 0xFFFF shall be used. When the property value is lower than the lower limit of the property value range, the underflow code 0xFFFE shall be used.

(4) Measured cumulative amount of electricity generated

This property indicates the integral generated electric energy in kWh. The property

value range shall be 0x00000000 to 0x3B9AC9FF (0 to 999,999,999 kWh). When the integral electric energy overflows, the property value shall be incremented again from 0x00000000.

- (5) Resetting cumulative amount of electricity generated
Resets the integral generated electric energy to zero by setting 0x00.

- (6) Measured cumulative amount of electricity sold
This property indicates the integral sold electric energy in kWh. The property value range shall be 0x00000000 to 0x3B9AC9FF (0 to 999,999,999 kWh). When the integral electric energy overflows, the property value shall be incremented again from 0x00000000.

- (7) Resetting cumulative amount of electricity sold
Resets the integral generated electric energy to zero by setting 0x00.

- (8) Power generation output limit setting 1
Used to specify the power generation output as a percentage of the rated power generation output and to acquire the current setting. The value range for this property is from 0 to 100 (from 0x00 to 0x64), and the unit is %. When the value of this property is 100, no limit is imposed. In the case where it is not possible to limit the power generation output using the value specified by this property, the power generation output shall be limited using a value that is closest to and lower than the value specified by this property.

- (9) Power generation output limit setting 2
Used to specify the power generation output in watts and to acquire the current setting. The value range for this property is from 0x0000 to 0xFFFFD (from 0 to 65533). In the case where it is not possible to limit the power generation output using the value specified by this property, the power generation output shall be limited using a value that is closest to and lower than the value specified by this property.

- (10) Limit setting for the amount of electricity sold
Used to specify, in watts, the amount of electricity sold and to acquire the current setting. The value range for this property is from 0x0000 to 0xFFFFD (from 0 to 65533). In the case where it is not possible to limit the amounts of electricity sold using the value

specified by this property, the amount of electricity sold shall be limited using a value that is closest to and lower than the value specified by this property.

(11) Rated power

This property indicates the rated power generation output in watts. This value is very important, since when the wind speed exceeds rated wind speed, there must be a control operation to avoid exceeding this value and avoid damaging the machine. If the wind speed exceeds cut-out wind speed in which the machine can not control, it requires such action as standstill. The value range for this property is from 0x0000 to 0xFFFFD (from 0 to 65533)

(12) Measured wind speed

This property indicates the wind speed measured in meters per second. The value range for this property is from 0x00 to 0xFD (from 0 to 253)

(13) Rated wind Speed

This property indicates the rated wind speed in meters per second. The value range for this property is from 0x00 to 0xFD (from 0 to 253)

(14) Cut-in Wind Speed

This property indicates the cut-in wind speed that the turbine first starts to rotate and generate power. The value range for this property is from 0x00 to 0xFD (from 0 to 253).

(15) Cut-out wind speed

This property indicates the cut-out wind speed that may have a risk of damage to the rotor. As a result, a braking system is employed to bring the rotor to a standstill. The value range for this property is from 0x00 to 0xFD (from 0 to 253).

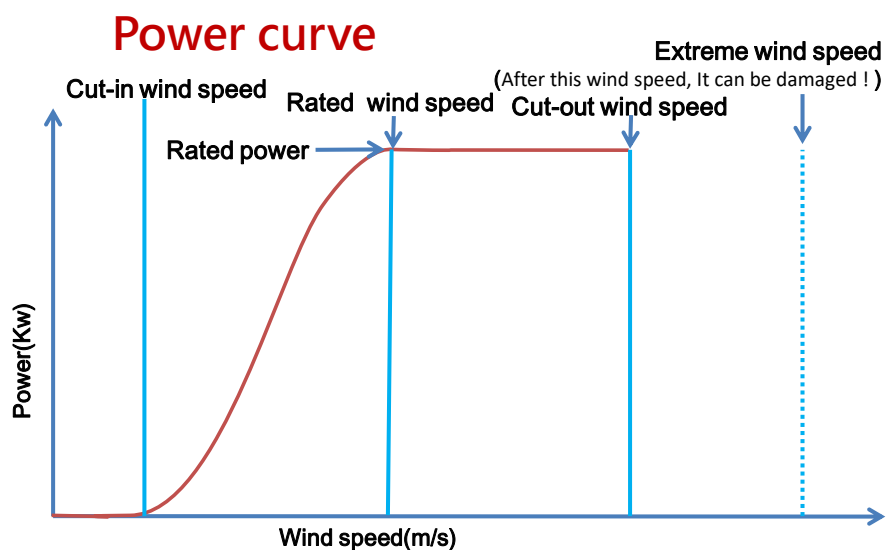
(16) Extreme wind speed

This property indicates the highest average wind speed, averaged over t seconds, that is likely to be experienced within a specified time period (recurrence period) of T years. As defined in the IEC 61400-1 wind turbine design/safety standard, the largest wind speed to be considered is called “Ve50,” which is the maximum gust over a 50-year return period for a 3-second averaging time. The value range for this property is from 0x00 to 0xFD (from 0 to 253).

(17) Braking status

This property indicates the Braking status of household small wind turbine power generation that results from the achievement of cut-out wind speed. For emergency reason, it can be controlled manually by client, and some confirmation action (ex. Double check) must be made in the control side.

[ON] means "forced stop". When wind turbine continues to generate electricity even if wind speed is over Cut-out wind speed, controller can stop wind turbine with this command. [OFF] means that the status of "forced stop" is released.



Typical wind turbine power output with steady wind speed.

3. 3. 35 Requirements for lighting system class

Class group code : 0x02

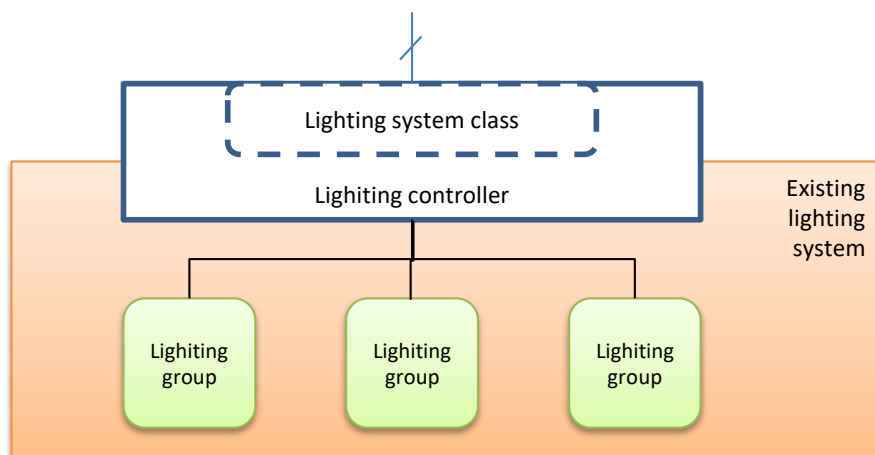
Class code : 0xA3

Instance code : 0x01~0x7F (0x00: All-instance specification code)

Property name	EPC	Contents of property	Data type	Data size	Unit	Access rule	Mandatory	Announcement at status change	Remark
		Value range (decimal notation)							
Operation status	0x80	Indicates ON/OFF state	unsigned char	1 byte	—	Set	○	○	
		ON=0x30, OFF=0x31				Get			
Illuminance level setting	0xB0	This property indicates illuminance level in %. 0x00 shall be a state of lights-out.	unsigned char	1 byte	%	Set/Get			
		0x00-0x64 (0-100%)							
Scene control setting	0xC0	The maximum number shall be the one that can be assigned.	unsigned char	1 byte		Set	○		
		0x00: Not set 0x01-0xFD (1-253)				Get			
Number that can assign scene control setting	0xC1	This property indicates the maximum number that can be assigned for scene control.	unsigned char	1 byte		Get	○		
		0x00-0xFD (0-253)							

Note 1: In the “Announcement at status change” column, ○ denotes mandatory processing when the property is implemented.

This class is for connecting an existing non-ECHONET lighting system to the ECHONET or ECHONET Lite system. The figure shows an example of lighting system class setting.



In this class, instance codes shall be given by lighting group. For example, with the configuration shown above, the instance codes are 0x01, 0x02, and 0x03 for each lighting group. Lighting group (instance code) may be configured with only one. If

operating all lighting groups at a time, an instance code of 0x00 may be used.

(1) Operation status (inherited from the device object super class property)

This property indicates whether the lighting system is in the ON state (the lighting system can accept control) or OFF state (the lighting system cannot accept control). The property value is 0x30 for ON and 0x31 for OFF.

In cases where the lighting system belongs to a node and the lighting system is ready to accept control as soon as the node starts up, this property may be implemented as the fixed value (0x30).

(2) Illuminance level setting

Lighting levels set in a batch by group are indicated in %. Set lighting level by group to acquire lighting level set by group. If the lighting level of the actual device is higher or lower than the % unit, the property of the actual device shall be assigned to the property value of % unit specified in this property.

(3) Scene control setting

The lighting system is controlled using the scene control numbers set in the lighting system. Also, obtain the scene control number set for the lighting system. 0x00: Not set
For specific details on scene control indicated in property values, settings for each lighting system shall be set at the time of installation using the controller application or the like.

(4) Number that can assign scene control setting

This property indicates the maximum value of the scene control numbers that can be set for the lighting system.

3. 3. 36 Requirements for extended lighting system class

Class group code : 0x02

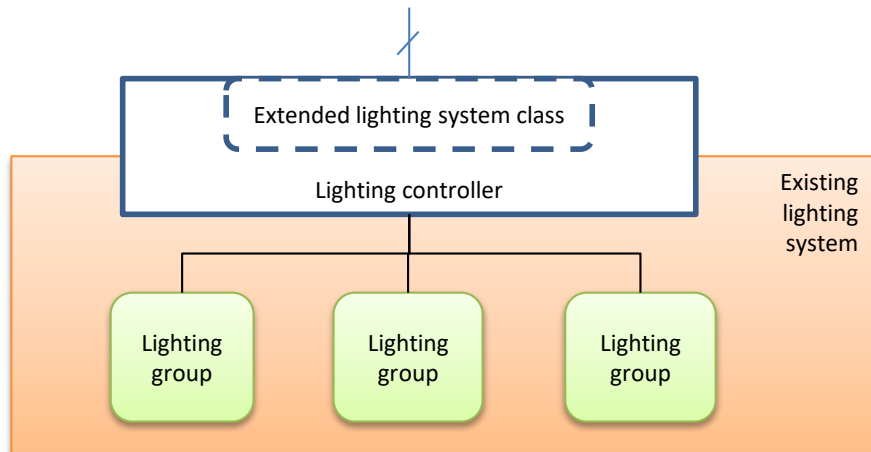
Class code : 0xA4

Instance code : 0x01~0x7F (0x00: All-instance specification code)

Property name	EPC	Contents of property	Data type	Data size	Unit	Access rule	Mandatory	Announcement at status change	Remark
		Value range (decimal notation)							
Operation status	0x80	Indicates ON/OFF state	unsigned char	1 byte	—	Set	○	○	
		ON=0x30, OFF=0x31				Get			
Illuminance level setting	0xB0	THIS PROPERTY INDICATES ILLUMINANCE LEVEL IN “%”	unsigned char	1 byte	%	Set/Get			
		0X00 shall be a state of lights-out. 0X00-0x64 (0-100%)							
Scene control setting	0xC0	The maximum number shall be the one that can be assigned.	unsigned char	1 byte		Set	○		
		0x00: Not set 0x01-0xFD (1-253)				Get			
Number that can assign scene control setting	0xC1	This property indicates the maximum number that can be assigned for scene control.	unsigned char	1 byte		Get	○		
		0x01-0xFD (1-253)							
Power consumption rate list	0xC2	Listed a number controllable by scene of power consumption ratio at scenes when defining a fully lighted as 100% power consumption.	unsigned char*(MIN1-MAX 253)	Max 253 bytes	%	Get	○		(5)
		0x00~0x64 (0-100 %), 0xFF (unknown)							
Power consumption when fully lighted	0xC3	This property indicates power consumption (W) when fully lighted of lighting to be connected into an extended lighting system of the applicable instance.	unsigned short	2 bytes	W	Get	○		(6)
		0x0000-0xFFFFD (0-65533 W)							
Possible power savings	0xC4	This property indicates possible power savings (W) based on current operation status	unsigned short	2 bytes	W	Get	○		(7)
		0x0000-0xFFFFD (0-65533 W)							
Power consumption limit setting	0xC5	Setting/Reading power (W) to be saved.	unsigned short	2 bytes	W	Set/Get	○		(8)
		Canceling power consumption restriction: 0x0000 0x0001-0xFFFFD (1-65533 W)							

Note 1: In the “Announcement at status change” column, ○ denotes mandatory processing when the property is implemented.

This class is for connecting an existing non-ECHONET lighting system to the ECHONET or ECHONET Lite system, thereby enables energy control and monitoring. The figure below shows an installation example of extended lighting system class setting.



In this class, instance codes shall be given by lighting group. For example, with the configuration shown above, the instance codes are 0x01, 0x02, and 0x03 for each lighting group. Lighting group (instance code) may be configured with only one. If operating all lighting groups at a time, an instance code of 0x00 may be used.

(1) Operation status (inherited from the device object super class property)

This property indicates if the extended lighting system class is acceptable (ON) or unacceptable (OFF) to receive control. 0x30 shall be made to correspond to ON and 0x31 to OFF.

In cases where the extended lighting system belongs to a node and the lighting system is ready to accept control as soon as the node starts up, this property may be implemented as the fixed value (0x30).

(2) Illuminance level setting

Lighting levels set in a batch by group are indicated in %. Set lighting level by group to acquire lighting level set by group. If the lighting level of the actual device is higher or lower than the % unit, the property of the actual device shall be assigned to the property value of % unit specified in this property.

(3) Scene control setting

The extended lighting system is controlled using the scene control numbers set in the extended lighting system. Also, obtain the scene control number set for the lighting system. 0x00: Not set

For specific details on scene control indicated in property values, settings for each lighting system shall be set at the time of installation using the controller application or the like.

(4) Number that can assign scene control setting

This property indicates the maximum value of the number that can assign scene control setting that can be set for the extended lighting system. “Not set” shall not be included but shall be a value greater than 1.

(5) Power consumption rate list

Listed power consumption ratios in % at all scenes when defining a fully lighted as 100% power consumption. This property shall include the power consumption ratio in a range between scene No. 1 to N (a number that can assign scene control settings). The “N” shall be equal at least 1 and not more than 253. “0xFF” shall be used if the power consumption ratio is unknown due to “not set/not measured”. If the power consumption ratio becomes settable after 0xFF is set, the value can be replaced with the power consumption ratio. Scene No. 0 for the power consumption shall not be defined since it is “not set” (meaning that it shall not be included in the power consumption rate list). When the illuminance level setting is changed, the degree of impact on the power consumption rate value for the same case shall depend on the implementation.

The table below shows the configuration of this property when the number that can assign scene control setting “N” is 5 and scenes No. 3 and 4 are “unknown” (0xFF), as an example. When scenes No. 6 and later are not implemented to the device, the arrangement shall be in total 5 bytes.

Scene No.	1	2	3	4	5	253
Power consumption rate	80%	90%	0xFF	0xFF	60%	-	-	-

(6) Power consumption when fully lighted

This property indicates power consumption (rating) in W when fully lighted of lighting to be connected into an extended lighting system of the applicable instance. A power consumption ratio shall be calculated based on this property value. Basically, the value is constant even the scene is switched. However, the value can be set once again when adding the number of lighting devices to be connected physically or resetting scenes.

(7) Possible power savings

This property indicates possible power savings in W based on current operation status (scene) of applicable instance.

This property indicates normal values only when the operation status property value

(0x80) is ON (0x30). The value when the illuminance level setting is changed shall depend on the implementation.

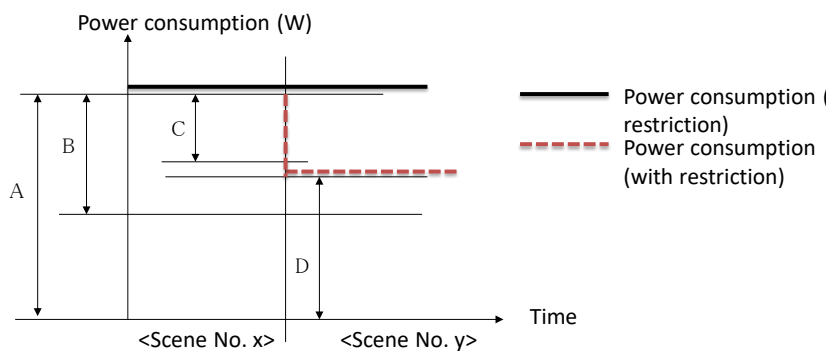
(8) Power consumption limit setting

Setting power (W) to be saved/reading set value to restrict power consumption. As a rule, set a numerical figure equal to or smaller than the possible power savings. “0x0000” shall be set when canceling the control. If successfully controlled after setting the value, the value shall be retained and can be acquirable. If control is failed, the value shall be “0x0000”.

The value of this property shall be set to 0x0000 30 minutes after setting*1, depending on the device. The range of property values when setting shall be 0x0001 through 0xFFFD (1 - 65,533W).

Note 1: Control considering the accuracy of the clock embedded in the device.

The figure below shows a setting scenario for power consumption when this property is set. Note that the power consumption can be set according to the implementation specifications of the lighting system. The figure below is provided for reference purposes only when lowering power consumption by making the lighting system able to select an applicable scene based on the set property values.



Start time for power-saving control

- A: Power consumption when fully lighted * power consumption rate for Scene No. x/100
- B: Possible power savings
- C: Power consumption limit setting
- D: Power consumption when fully lighted * power consumption rate for Scene No. y/100

The following relationship shall be maintained: $C \leq (A - D) \leq B \leq A$

When instructions are given to decrease power, the controlling side shall obtain information of the relationship between the power consumption and illuminance of lighting devices to be used, to

avoid any problems that may arise from the decrease in illuminance. As an example of decreasing power under an appropriate illuminance, a value of possible power savings property can be set based on power consumption information at an illuminance that can avoid any problems in lighting space and the current illuminance of the lighting system. With LED lighting, the relationship between power consumption and illuminance is generally linear. Therefore, if power consumption is halved, for example, the illuminance becomes half as well.

3. 4 Cooking/Household-related Device Class Group

This section specifies detailed codes and properties for each ECHONET object belonging to the cooking/household-related device class group (class group specification code X1 = 0x03). Table 3-4 shows a list of classes specified in detail in this section. In the requirements of classes, “Mandatory” means that the device mounting each class must mount a combination of its property and service.

Table 3-4 List of Objects of Cooking/Household-related Device Class Group

Class group code	Class code	Class name	Detailed requirements	Remarks
0x03	0x00 to 0xAF	Reserved for future use		
	0xB0	Coffee machine		
	0xB1	Coffee mill		
	0xB2	Electric hot water pot (Electric thermos)	○	
	0xB3	Electric stove		
	0xB4	Toaster		
	0xB5	Juicer, food mixer		
	0xB6	Food processor		
	0xB7	Refrigerator	○	
	0xB8	Combination microwave oven(Electronic oven)	○	
	0xB9	Cooking heater	○	
	0xBA	Oven		
	0xBB	Rice cooker	○	
	0xBC	Electronic jar		
	0xBD	Dish washer		
	0xBE	Dish dryer		
	0xBF	Electric rice card cooker		
	0xC0	Keep-warm machine		
	0xC1	Rice mill		
	0xC2	Automatic bread cooker		
0xC3	Slow cooker			
0xC4	Electric pickles cooker			
0xC5	Washing machine	○		
0xC6	Clothes dryer	○		
0xC7	Electric iron			
0xC8	Trouser press			

	0xC9	Futon dryer		
	0xCA	Small article, shoes dryer		
	0xCB	Electric vacuum cleaner (including central vacuum cleaner)		
	0xCC	Disposer		
	0xCD	Electric mosquito catcher		
	0xCE	Commercial show case	○	
	0xCF	Commercial refrigerator		
	0xD0	Commercial hot case		
	0xD1	Commercial fryer		
	0xD2	Commercial microwave oven		
	0xD3	Washer and dryer	○	
	0xD4	Commercial show case outdoor unit	○	
	0xD5 to 0xFF	Reserved for future use		

Note: ○ indicates a detail is explained including a property structure in APPENDIX.

3. 4. 1 Requirements for electric hot water pot (Electric thermos)

Class group code : 0x03

Class code : 0xB2

Instance code : 0x01–0x7F (0x00: All-instance specification code)

Property name	EPC	Contents of property	Data type	Data size	Unit	Access rule	Mandatory	Announcement at status change	Remark
		Value range (decimal notation)							
Operation status	0x80	This property indicates the ON/OFF status.	unsigned char	1 byte	—	Set		○	
		ON=0x30, OFF=0x31				Get			
Cover open/close status	0xB0	Cover open/close status	unsigned char	1 byte	—	Get			
		Cover open = 0x41, cover closed = 0x42							
No-water warning	0xB1	Notifies that electric hot water pot is emptied of water.	unsigned char	1 byte	—	Get		○	
		No-water condition found = 0x41 No-water condition not found = 0x40							
Boil-up setting	0xB2	Boil-up setting	unsigned char	1 byte	—	Set/Get			
		Boil-up start = 0x41 Boil-up stop/warmer = 0x42							
Boil-up/warmer mode setting	0xE0	This property indicates citric acid cleaning, normal warmer or power-saving warmer mode.	unsigned char	1 byte	—	Set/Get			
		Citric acid cleaning = 0x41, normal warmer = 0x42, power-saving warmer = 0x43							
Set value of warmer temperature	0xE1	This property indicates set value of warmer temperature in °C.	unsigned char	1 byte	°C	Set/Get			
		0x00–0x64 (0–100)							
Hot water discharge status	0xE2	Hot water discharge status	unsigned char	1 byte	—	Get		○	
		Hot water discharged = 0x41, hot water not discharged = 0x42							
Lock status	0xE3	Hot water discharge lock status	unsigned char	1 byte	—	Get			
		Locked = 0x41, unlocked = 0x42							

Note: In the “Announcement at status change” column, ○ denotes mandatory processing when the property is implemented.

(1) Operation status (inherited from the device object super class property)

This property indicates whether the function native to this class is operating or not (ON or OFF). In the node mounting this class, if the function of this class starts operating concurrently with the start of node operation, this property may be implemented at a fixed value of 0x30 (operation status ON).

(2) Cover open/close status

This property indicates whether the electric hot water pot (electric thermos) cover is

open or closed. The value 0x41 shall be used to indicate that the cover is open. The value 0x42 shall be used to indicate that the cover is closed.

(3) No-water warning

The value of this property shall change from 0x40 to 0x41 when the electric hot water pot is emptied of water. When the electric hot water pot is charged with cold or hot water, the property value shall change from 0x41 to 0x40.

(4) Boil-up setting

Sets the water heating start and water heating stop/warmer states. These two states correspond to the property values 0x41 and 0x42, respectively. The value of this property shall automatically change to 0x42 when the electric hot water pot terminates its water heating operation.

(5) Boil-up/warmer mode setting

This property indicates the water heating/warmer mode setting for the electric hot water pot (citric acid cleaning, normal warmer, or power-saving warmer mode). The property values 0x41, 0x42, and 0x43 correspond to these operation modes, respectively. For the property values to be implemented, only the property values related to the functions incorporated in the actual device mounting this class need be implemented.

(6) Set value of warmer temperature

This property indicates the set value of warmer temperature in °C.
The property value range shall be 0x00 to 0x64 (0 to 100°C).

(7) Hot water discharge status

This property indicates the hot water discharge status: hot water discharged = 0x41 or hot water not discharged = 0x42. More specifically, the value 0x41 indicates that hot water is being discharged because a hot water discharge procedure is performed by a human, whereas the value 0x42 indicates that no hot water is being discharged.

(8) Lock status

This property indicates whether or not the electric hot water pot (electric thermos) is locked. The value 0x41 indicates that the electric hot water pot is locked. The value 0x42 indicates that the lock is released.

3. 4. 2 Requirements for refrigerator class

Class group code : 0x03

Class code : 0xB7

Instance code : 0x01–0x7F (0x00: All-instance specification code)

Property name	EPC	Contents of property	Data type	Data size	Unit	Access rule	Mandatory	Announcement at status change	Remark
		Value range (decimal notation)							
Operation status	0x80	This property indicates the ON/OFF status.	unsigned char	1 byte	—	Set		○	
		ON=0x30, OFF=0x31				Get			
Door open/close status	0xB0	Door open/close status	unsigned char	1 byte	–	Get	Ⓜ		
		Door open = 0x41, Door close = 0x42							
Door open warning	0xB1	Door open warning status	unsigned char	1 byte	–	Get		○	
		Door open warning found = 0x41 Door open warning not found = 0x42							
Refrigerator compartment door status	0xB2	Used to acquire the status (i.e. open or closed) of the refrigerator compartment door.	unsigned char	1 byte	–	Get			
		Open = 0x41, closed = 0x42							
Freezer compartment door status	0xB3	Used to acquire the status (i.e. open or closed) of the freezer compartment door.	unsigned char	1 byte	–	Get			
		Open = 0x41, closed = 0x42							
Ice compartment door status	0xB4	Used to acquire the status (i.e. open or closed) of the ice compartment door.	unsigned char	1 byte	–	Get			
		Open = 0x41, closed = 0x42							
Vegetable compartment door status	0xB5	Used to acquire the status (i.e. open or closed) of the vegetable compartment door.	unsigned char	1 byte	–	Get			
		Open = 0x41, closed = 0x42							
Multi-refrigerating mode compartment door	0xB6	Used to acquire the status (i.e. open or closed) of the multi-refrigerating mode compartment door.	unsigned char	1 byte	–	Get			
		Open = 0x41, closed = 0x42							
Maximum allowable temperature setting level	0xE0	Used to acquire the maximum allowable temperature setting levels for the individual compartments of the refrigerator.	unsigned char × 8	8 bytes	–	Get			
		First byte: Refrigerator compartment Second byte: Freezer compartment Third byte: subzero-fresh compartment Fourth byte: Vegetable compartment Fifth byte: Multi-refrigerating mode compartment Sixth to eighth bytes: Reserved for future use. 0x01–0xFF (Level 1–255) 0x00 = no compartment							

Refrigerator compartment temperature setting	0xE2	Used to specify the refrigerator compartment temperature in °C, and to acquire the current setting.	signed char	1 byte	°C	Set/Get			
		0x81-0x7E (-127-126°C)							
Freezer compartment temperature setting	0xE3	Used to specify the freezer compartment temperature in °C, and to acquire the current setting.	signed char	1 byte	°C	Set/Get			
		0x81-0x7E (-127-126°C)							
Ice temperature setting	0xE4	Used to specify the ice compartment temperature in °C, and to acquire the current setting.	signed char	1 byte	°C	Set/Get			
		0x81-0x7E (-127-126°C)							
Vegetable compartment temperature setting	0xE5	Used to specify the vegetable compartment temperature in °C, and to acquire the current setting.	signed char	1 byte	°C	Set/Get			
		0x81-0x7E (-127-126°C)							
Multi-refrigerating mode compartment temperature setting	0xE6	Used to specify the multi-refrigerating mode compartment temperature in °C, and to acquire the current setting.	signed char	1 byte	°C	Set/Get			
		0x81-0x7E (-127-126°C)							
Refrigerator compartment temperature level setting	0xE9	Used to specify the refrigerator compartment temperature by selecting a level from among the predefined levels, and to acquire the current setting.	unsigned char	1 byte	—	Set/Get			
		0x01 to maximum allowable temperature setting level (highest to lowest temperature)							
Freezer compartment temperature level setting	0xEA	Used to specify the freezer compartment temperature by selecting a level from among the predefined levels, and to acquire the current setting.	unsigned char	1 byte	—	Set/Get			
		0x01 to maximum allowable temperature setting level (highest to lowest temperature)							
Ice compartment temperature level setting	0xEB	Used to specify ice compartment temperature by selecting a level from among the predefined levels, and to acquire the current setting.	unsigned char	1 byte	—	Set/Get			
		0x01 to maximum allowable temperature setting level (highest to lowest temperature)							
Vegetable compartment temperature level setting	0xEC	Used to specify the vegetable compartment temperature by selecting a level from among the predefined levels, and to acquire the current setting.	unsigned char	1 byte	—	Set/Get			
		0x01 to maximum allowable temperature setting level (highest to lowest temperature)							
Multi-refrigerating mode compartment temperature level setting	0xED	Used to specify the multi-refrigerating mode compartment temperature by selecting a level from among the predefined levels, and to acquire the current setting.	unsigned char	1 byte	—	Set/Get			

		0x01 to maximum allowable temperature setting level (highest to lowest temperature)							
Measured refrigerator compartment temperature	0xD1	Used to acquire the measured refrigerator compartment temperature (°C).	signed char	1 byte	°C	Get			
		0x81–0x7E (-127–126°C)							
Measured freezer compartment temperature	0xD2	Used to acquire the measured freezer compartment temperature (°C).	signed char	1 byte	°C	Get			
		0x81–0x7E (-127–126°C)							
Measured subzero-fresh compartment temperature	0xD3	Used to acquire the measured meat and fish compartment temperature (°C).	signed char	1 byte	°C	Get			
		0x81–0x7E (-127–126°C)							
Measured vegetable compartment temperature	0xD4	Used to acquire the measured vegetable compartment temperature (°C).	signed char	1 byte	°C	Get			
		0x81–0x7E (-127–126°C)							
Measured multi-refrigerating mode compartment temperature	0xD5	Used to acquire the measured multi-refrigerating mode compartment temperature (°C).	signed char	1 byte	°C	Get			
		0x81–0x7E (-127–126°C)							
Compressor rotation speed	0xD8	Used to acquire the rotation speed of the compressor. The rotation speed is expressed in terms of a level.	unsigned char	2 bytes	—	Get			
		First byte: Maximum rotation speed L (0x01–0xFF (1–255)) Second byte: Rotation speed of the actual compressor: 0x00 to L (zero speed to highest speed)							
Measured electric current consumption	0xDA	Used to acquire the measured electric current consumption.	unsigned char	2 bytes	0.1A	Get			
		0x0000–0xFFFD (0–6553.3A)							
Rated power consumption	0xDC	Used to acquire the rated power consumption.	unsigned char	2 bytes	W	Get			
		0x0000–0xFFFD (0–6553W)							
Quick freeze function setting	0xA0	Used to specify whether or not to use the “Quick freeze” function of the refrigerator, and to acquire the current setting.	unsigned char	1 byte	—	Set/Get			
		“Normal operation” mode: 0x41 “Quick freeze” mode: 0x42 “Standby for fast freezing” mode: 0x43							
Quick refrigeration function setting	0xA1	Used to specify whether or not to use the “quick refrigeration” function of the refrigerator, and to acquire the current setting.	unsigned char	1 byte	—	Set/Get			
		“Normal operation” mode: 0x41 “Quick refrigeration” mode: 0x42 “Standby for quick refrigeration” mode: 0x43							

Icemaker setting	0xA4	Used to specify whether or not to enable the automatic icemaker of the refrigerator, and to acquire the current setting.	unsigned char	1 byte	—	Set/Get			
		“Enable icemaker” option: 0x41 “Disable icemaker” option: 0x42 “Temporarily disable icemaker” option: 0x43							
Icemaker operation status	0xA5	Used to acquire the status of the automatic icemaker of the refrigerator.	unsigned char	1 byte	—	Get			
		“Ice-making in progress” state: 0x41 “Ice-making stopped” state: 0x42							
Icemaker tank status	0xA6	Used to acquire the status of the tank of the automatic icemaker of the refrigerator in terms of whether it contains water or not.	unsigned char	1 byte	—	Get			
		Icemaker tank contains water: 0x41 There is no water left in the icemaker tank or the icemaker tank has not been positioned correctly in the refrigerator: 0x42							
Refrigerator compartment humidification function setting	0xA8	Used to specify whether or not to use the refrigerator compartment humidification function, and to acquire the current setting.	unsigned char	1 byte	—	Set/Get			
		ON = 0x41 OFF = 0x42							
Vegetable compartment humidification function setting	0xA9	Used to specify whether or not to use the vegetable compartment humidification function, and to acquire the current setting.	unsigned char	1 byte	—	Set/Get			
		ON = 0x41 OFF = 0x42							
Deodorization function setting	0xAD	Used to specify whether or not to use the deodorization function of the refrigerator, and to acquire the current setting.	unsigned char	1 byte	—	Set/Get			
		ON = 0x41 OFF = 0x42							

Note: In the “Announcement at status change” column, ○ denotes mandatory processing when the property is implemented.

(1) Operation status (inherited from the device object super class property)

Operation status property specifies the operation status (i.e. ON or OFF) of the refrigerator and freezer, and to acquire the current setting. In cases where the refrigerator and freezer belong to a node in which the “refrigerator and freezer” class is implemented and the refrigerator and freezer start operating as soon as the node starts up, 0x30 may be implemented as the fixed value.

(2) Door open/close status

Door open/close status property specifies the status (i.e. open or closed) of the door.

0x41 and 0x42 shall be used for the “open” and “closed” states, respectively. In cases where the refrigerator has two or more doors, 0x42 shall be used when any of the doors are open. For the purposes of this paragraph, the term “door” shall refer to both any door and any drawer.

(3) Door open warning

Door open warning property specifies the information as to whether or not the “door open” alarm has gone off. 0x41 and 0x42 shall be used for the “alarm activated” and “alarm not activated” states, respectively.

(4) Refrigerator compartment door status

Refrigerator compartment door status property specifies the status (i.e. open or closed) of the refrigerator compartment door. 0x41 and 0x42 shall be used for the “open” and “closed” states, respectively. In cases where the refrigerator compartment has two or more doors, 0x42 shall be used when any of the doors are open. For the purposes of this paragraph, the term “door” shall refer to both any door and any drawer.

(5) Freezer compartment door status

Freezer compartment door status property specifies the status (i.e. open or closed) of the freezer compartment door. 0x41 and 0x42 shall be used for the “open” and “closed” states, respectively. In cases where the freezer compartment has two or more doors, 0x42 shall be used when any of the doors are open. For the purposes of this paragraph, the term “door” shall refer to both any door and any drawer.

(6) Ice compartment door status

Ice compartment door status property specifies the status (i.e. open or closed) of the ice compartment door. 0x41 and 0x42 shall be used for the “open” and “closed” states, respectively. In cases where the ice compartment has two or more doors, 0x42 shall be used when any of the doors are open. For the purposes of this paragraph, the term “door” shall refer to both any door and any drawer.

(7) Vegetable compartment door status

Vegetable compartment door status property specifies the status (i.e. open or closed) of the vegetable compartment door. 0x41 and 0x42 shall be used for the “open” and “closed” states, respectively. In cases where the vegetable compartment has two or more doors, 0x42 shall be used when any of the doors are open. For the purposes of this paragraph, the term “door” shall refer to both any door and any drawer.

(8) Multi-refrigerating mode compartment door status

Multi-refrigerating mode compartment door status property specifies the status (i.e. open or closed) of the multi-refrigerating mode compartment door. 0x41 and 0x42 shall be used for the “open” and “closed” states, respectively. In cases where the multi-refrigerating mode compartment has two or more doors, 0x42 shall be used when any of the doors are open. For the purposes of this paragraph, the term “door” shall refer to both any door and any drawer.

(9) Maximum allowable temperature setting level

Maximum allowable temperature setting level property specifies the maximum allowable temperature setting levels for the individual compartments of the refrigerator. The data size shall be 8 bytes, and the maximum allowable temperature setting level for each compartment shall be indicated using one byte (255 levels (0x01 to 0xFF)). The first to fifth bytes shall be used for the refrigerator, freezer, meat and fish, vegetable and multi-refrigerating mode compartments, respectively. The sixth to eighth bytes are reserved for future use. When the refrigerator does not have one or more of the five types of compartments, 0x00 shall be used for the types of compartments the refrigerator is not equipped with.

(10) Refrigerator compartment temperature setting

Refrigerator compartment temperature setting property specifies the refrigerator compartment temperature in °C, and to acquire the current setting. The property value range shall be 0x81 to 0x7E (-127 to 126°C). When the property value of the actual piece of equipment is higher than the upper limit of the property value range, the overflow code 0x7F shall be used. When the property value is lower than the lower limit of the property value range, the underflow code 0x80 shall be used. It is only required to implement the property values that are supported by the actual piece of equipment in which this class is implemented. In cases where both the “refrigerator compartment temperature setting” property and the “refrigerator compartment temperature level setting” property (EPC = 0xE9) are implemented, the property values shall be correlated.

(11) Freezer compartment temperature setting

Freezer compartment temperature setting property specifies the freezer compartment temperature in °C, and to acquire the current setting. The property value range shall be 0x81 to 0x7E (-127 to 126°C). When the property value of the actual piece of equipment is higher than the upper limit of the property value range, the overflow code 0x7F shall be used. When the property value is lower than the lower limit of the property value range, the underflow code 0x80 shall be used. It is only required to implement the property values that are supported by the actual piece of equipment in which this class is implemented. In cases where both the “freezer compartment temperature setting” property and the “freezer compartment temperature level setting”

property (EPC = 0xEA) are implemented, the property values shall be correlated.

(12) Ice compartment temperature setting

Ice compartment temperature setting property specifies the ice compartment temperature in °C, and to acquire the current setting. The property value range shall be 0x81 to 0x7E (-127 to 126°C). When the property value of the actual piece of equipment is higher than the upper limit of the property value range, the overflow code 0x7F shall be used. When the property value is lower than the lower limit of the property value range, the underflow code 0x80 shall be used. It is only required to implement the property values that are supported by the actual piece of equipment in which this class is implemented. In cases where both the “ice compartment temperature setting” property and the “ice compartment temperature level setting” property (EPC = 0xEB) are implemented, the property values shall be correlated.

(13) Vegetable compartment temperature setting

Vegetable compartment temperature setting property specifies the vegetable compartment temperature in °C, and to acquire the current setting. The property value range shall be 0x81 to 0x7E (-127 to 126°C). When the property value of the actual piece of equipment is higher than the upper limit of the property value range, the overflow code 0x7F shall be used. When the property value is lower than the lower limit of the property value range, the underflow code 0x80 shall be used. It is only required to implement the property values that are supported by the actual piece of equipment in which this class is implemented. In cases where both the “vegetable compartment temperature setting” property and the “vegetable compartment temperature level setting” property (EPC = 0xEC) are implemented, the property values shall be correlated.

(14) Multi-refrigerating mode compartment temperature setting

Multi-refrigerating mode compartment temperature setting property specifies the multi-refrigerating mode compartment temperature in °C, and to acquire the current setting. The property value range shall be 0x81 to 0x7E (-127 to 126°C). When the property value of the actual piece of equipment is higher than the upper limit of the property value range, the overflow code 0x7F shall be used. When the property value is lower than the lower limit of the property value range, the underflow code 0x80 shall be used. It is only required to implement the property values that are supported by the actual piece of equipment in which this class is implemented. In cases where both the “multi-refrigerating mode compartment temperature setting” property and the “multi-refrigerating mode compartment temperature level setting” property (EPC = 0xED) are implemented, the property values shall be correlated.

(15) Refrigerator compartment temperature level setting

Refrigerator compartment temperature level setting property specifies the refrigerator compartment temperature by selecting a level from among the predefined levels, and to acquire the current setting. The maximum allowable temperature setting level shall be acquired with the “maximum allowable temperature setting level” property (EPC = 0xE0). The temperature values for the levels may be defined freely, as long as the smallest to largest temperature level values are used for the highest to lowest temperature values, respectively. It is only required to implement the property values that are supported by the actual piece of equipment in which this class is implemented. In cases where both the “refrigerator compartment temperature level setting” property and the “refrigerator compartment temperature setting” property (EPC = 0xE2) are implemented, the property values shall be correlated. Implementation of this property must be accompanied by the implementation of the “maximum allowable temperature setting level” property (0xE0).

(16) Freezer compartment temperature level setting

Freezer compartment temperature level setting property specifies the freezer compartment temperature by selecting a level from among the predefined levels, and to acquire the current setting. The maximum allowable temperature setting level shall be acquired with the “maximum allowable temperature setting level” property (EPC = 0xE0). The temperature values for the levels may be defined freely, as long as the smallest to largest temperature level values are used for the highest to lowest temperature values, respectively. It is only required to implement the property values that are supported by the actual piece of equipment in which this class is implemented. In cases where both the “freezer compartment temperature level setting” property and the “freezer compartment temperature setting” property (EPC = 0xE3) are implemented, the property values shall be correlated. Implementation of this property must be accompanied by the implementation of the “maximum allowable temperature setting level” property (0xE0).

(17) Ice compartment temperature level setting

Ice compartment temperature level setting property specifies the ice compartment temperature by selecting a level from among the predefined levels, and to acquire the current setting. The maximum allowable temperature setting level shall be acquired with the “maximum allowable temperature setting level” property (EPC = 0xE0). The temperature values for the levels may be defined freely, as long as the smallest to largest temperature level values are used for the highest to lowest temperature values, respectively. It is only required to implement the property values that are supported by the actual piece of equipment in which this class is implemented. In cases where both the “ice compartment temperature level setting” property and the “ice compartment temperature setting” property (EPC = 0xE4) are implemented, the property values shall be correlated. Implementation of this property must be

accompanied by the implementation of the “maximum allowable temperature setting level” property (0xE0).

(18) Vegetable compartment temperature level setting

Vegetable compartment temperature level setting property specifies the vegetable compartment temperature by selecting a level from among the predefined levels, and to acquire the current setting. The maximum allowable temperature setting level shall be acquired with the “maximum allowable temperature setting level” property (EPC = 0xE0). The temperature values for the levels may be defined freely, as long as the smallest to largest temperature level values are used for the highest to lowest temperature values, respectively. It is only required to implement the property values that are supported by the actual piece of equipment in which this class is implemented.

In cases where both the “vegetable compartment temperature level setting” property and the “vegetable compartment temperature setting” property (EPC = 0xE5) are implemented, the property values shall be correlated. Implementation of this property must be accompanied by the implementation of the “maximum allowable temperature setting level” property (0xE0).

(19) Multi-refrigerating mode compartment temperature level setting

Multi-refrigerating mode compartment temperature level setting property specifies the multi-refrigerating mode compartment temperature by selecting a level from among the predefined levels, and to acquire the current setting. The maximum allowable temperature setting level shall be acquired with the “maximum allowable temperature setting level” property (EPC = 0xE0). The temperature values for the levels may be defined freely, as long as the smallest to largest temperature level values are used for the highest to lowest temperature values, respectively. It is only required to implement the property values that are supported by the actual piece of equipment in which this class is implemented.

In cases where both the “multi-refrigerating mode compartment temperature level setting” property and the “multi-refrigerating mode compartment temperature setting” property (EPC = 0xE6) are implemented, the property values shall be correlated. Implementation of this property must be accompanied by the implementation of the “maximum allowable temperature setting level” property (0xE0).

(20) Measured refrigerator compartment temperature

Measured refrigerator compartment temperature property specifies the measured refrigerator compartment temperature (°C). The property value range shall be 0x81 to 0x7E (-127 to 126°C). When the property value of the actual piece of equipment is higher than the upper limit of the property value range, the overflow code 0x7F shall be used. When the property value is lower than the lower limit of the property value

range, the underflow code 0x80 shall be used.

(21) Measured freezer compartment temperature

Measured freezer compartment temperature property specifies the measured freezer compartment temperature (°C). The property value range shall be 0x81 to 0x7E (-127 to 126°C). When the property value of the actual piece of equipment is higher than the upper limit of the property value range, the overflow code 0x7F shall be used. When the property value is lower than the lower limit of the property value range, the underflow code 0x80 shall be used.

(22) Measured ice compartment temperature

Measured ice compartment temperature property specifies the measured meat and fish compartment temperature (°C). The property value range shall be 0x81 to 0x7E (-127 to 126°C). When the property value of the actual piece of equipment is higher than the upper limit of the property value range, the overflow code 0x7F shall be used. When the property value is lower than the lower limit of the property value range, the underflow code 0x80 shall be used.

(23) Measured vegetable compartment temperature

Measured vegetable compartment temperature property specifies the measured vegetable compartment temperature (°C). The property value range shall be 0x81 to 0x7E (-127 to 126°C). When the property value of the actual piece of equipment is higher than the upper limit of the property value range, the overflow code 0x7F shall be used. When the property value is lower than the lower limit of the property value range, the underflow code 0x80 shall be used.

(24) Measured multi-refrigerating mode compartment temperature

Measured multi-refrigerating mode compartment temperature property specifies the measured multi-refrigerating mode compartment temperature (°C). The property value range shall be 0x81 to 0x7E (-127 to 126°C). When the property value of the actual piece of equipment is higher than the upper limit of the property value range, the overflow code 0x7F shall be used. When the property value is lower than the lower limit of the property value range, the underflow code 0x80 shall be used.

(25) Compressor rotation speed

Compressor rotation speed property specifies the rotation speed of the compressor. The rotation speed is expressed in terms of levels. The first and second bytes shall indicate the maximum acquirable rotation speed and the rotation speed of the actual compressor, respectively. The maximum acquirable rotation speed is also expressed in terms of levels. The rotation speed values for the levels may be defined freely, as

long as the smallest to largest level values are used for the lowest to highest speed values, respectively, with 0x00 used for zero speed. The property value range shall be as defined by the following equation:

“Value of the first byte” \geq “Value of the second byte”

(26) Measured electric current consumption

Measured electric current consumption property specifies the present measured electric current consumption (expressed in increments of 0.1A) of the refrigerator and freezer. When the measured electric current is alternating current, the effective value shall be indicated. The property value range shall be 0x0000 to 0xFFFFD (0 to 6553.3A). When the property value of the actual piece of equipment is higher than the upper limit of the property value range, the overflow code 0xFFFF shall be used. When the property value is lower than the lower limit of the property value range, the underflow code 0xFFFE shall be used.

(27) Rated power consumption

Used to acquire the rated power consumption (W; brochure value). The property value range shall be 0x0000 to 0xFFFFD (0 to 65533W).

(28) Quick freeze function setting

Quick freeze function setting property specifies whether or not to use the “quick freeze” function of the refrigerator, and to acquire the current setting. 0x41, 0x42 and 0x43 shall be used for the “normal operation,” “quick freeze” and “standby for quick freezing” modes, respectively. The “standby for quick freezing” mode (0x43) shall mean a mode in which the refrigerator is standing by to shift to the “quick freeze” mode because a defrosting cycle is being performed or a condition must be satisfied before the refrigerator can shift to the “quick freeze” mode (0x42) (the refrigerator will shift to the “quick freeze” mode as soon as the defrosting cycle is completed or the condition is satisfied). The property value will change to 0x41 as soon as the quick freeze cycle is completed. The property value may be ignored when it is 0x43. It is only required to implement the property values that are supported by the actual piece of equipment in which this class is implemented.

(29) Quick refrigeration function setting

Quick refrigeration function setting property specifies whether or not to use the “quick refrigeration” function of the refrigerator, and to acquire the current setting. 0x41, 0x42 and 0x43 shall be used for the “normal operation,” “quick refrigeration” and “standby for quick refrigeration” modes, respectively. The “standby for quick refrigeration” mode (0x43) shall mean a mode in which the refrigerator is standing by to shift to the “quick refrigeration” mode because a defrosting cycle is being

performed or a condition must be satisfied before the refrigerator can shift to the “quick refrigeration” mode (0x42) (the refrigerator will shift to the “quick refrigeration” mode as soon as the defrosting cycle is completed or the condition is satisfied). The property value will change to 0x41 as soon as the quick refrigeration cycle is completed. The property value may be ignored when it is 0x43. It is only required to implement the property values that are supported by the actual piece of equipment in which this class is implemented.

(30) Icemaker setting

Icemaker setting property specifies whether or not to enable the automatic icemaker of the refrigerator, and to acquire the current setting. 0x41, 0x42 and 0x43 shall be used for the “enable icemaker,” “disable icemaker” and “temporarily disable icemaker” options, respectively. The “temporarily disable icemaker” option is used to disable the icemaker temporarily when the user does not want to have the icemaker make ice, such as during the small hours of the night and during a vacation. The condition for a shift back from the “disable icemaker” or “temporarily disable icemaker” option to the “enable icemaker” option shall be equipment-dependent and is not specified in this ECHONET Specification. It is only required to implement the property values that are supported by the actual piece of equipment in which this class is implemented.

(31) Icemaker operation status

Icemaker operation status property specifies the status of the automatic icemaker of the refrigerator. 0x41 and 0x42 shall be used for the “ice-making in progress” and “ice-making stopped” states, respectively.

(32) Icemaker tank status

Icemaker tank status property specifies the status of the tank of the automatic icemaker of the refrigerator in terms of whether it contains water or not. When the icemaker tank contains water, the property value shall be 0x41. When there is no water left in the icemaker tank or when the icemaker tank has not been positioned correctly in the refrigerator, the property value shall be 0x42.

(33) Refrigerator compartment humidification function setting

Refrigerator compartment humidification function setting property specifies whether or not to use the refrigerator compartment humidification function, and to acquire the current setting. 0x41 and 0x42 shall be used for the “ON” and “OFF” states, respectively.

(34) Vegetable compartment humidification function setting

Vegetable compartment humidification function setting property specifies whether or not to use the vegetable compartment humidification function, and to acquire the current setting. 0x41 and 0x42 shall be used for the “ON” and “OFF” states, respectively.

(35) Deodorization function setting

Deodorization function setting property specifies whether or not to use the deodorization function of the refrigerator, and to acquire the current setting. 0x41 and 0x42 shall be used for the “ON” and “OFF” states, respectively.

3. 4. 3 Requirements for combination microwave oven (electronic oven) class

Class group code : 0x03

Class code : 0xB8

Instance code : 0x01–0x7F (0x00: All-instance specification code)

Property name	EPC	Contents of property	Data type	Data size	Unit	Access rule	Mandatory	Announcement at status change	Remark
		Value range (decimal notation)							
Operation status	0x80	This property indicates the ON/OFF status.	unsigned char	1 byte	—	Set	○	○	
		ON=0x30, OFF=0x31				Get			
Door open/close status	0xB0	Used to acquire the status (i.e. open or closed) of the door of the combination microwave oven.	unsigned char	1 byte	–	Get			
		Door open = 0x41, door closed = 0x42							
Heating status	0xB1	Used to acquire the status of the combination microwave oven.	unsigned char	1 byte	–	Get			
		Initial state = 0x40 Heating = 0x41 Heating suspended = 0x42 Reporting completion of heating cycle = 0x43 Setting = 0x44 Preheating = 0x45 Preheat temperature maintenance = 0x46 Heating temporarily stopped for manual cooking action = 0x47							
Heating setting	0xB2	Used to specify whether to start, stop or suspend heating, and to acquire the current setting (i.e. current heating status).	unsigned char	1 byte	–	Set/Get			
		Start/restart heating (heating started/restarted) = 0x41 Suspend heating (heating suspended) = 0x42 Stop heating (heating stopped) = 0x43							
Heating mode setting	0xE0	Used to specify the heating mode of the combination microwave oven, and to acquire the current setting (i.e. current mode).	unsigned char	1 byte	–	Set/Get			
		Microwave heating = 0x41 Defrosting = 0x42 Oven = 0x43 Grill = 0x44 Toaster = 0x45 Fermenting = 0x46 Stewing = 0x47 Steaming = 0x48 Two-stage microwave heating = 0x51 No mode specified = 0xFF							

Automatic heating setting	0xE1	Used to specify whether or not to use the combination microwave oven's automatic heating mode, and to acquire the current setting.	unsigned char	1 byte	-	Set/Get			
		Automatic = 0x41 Manual = 0x42 Not specified = 0xFF							
Automatic heating level setting	0xE2	Used to specify, by selecting a level from among the five predefined levels, the level of automatic heating for the option specified by the "automatic heating menu setting" property, and to acquire the current setting.	unsigned cha	1 byte	-	Set/Get			
		0x31-0x35 (lowest to highest) Not specified = 0xFF							
Automatic heating menu setting	0xD0	Used, when the value of the "automatic heating setting" property is 0x41 (= automatic heating), to select an automatic heating cycle, and to acquire the current setting.	unsigned cha	1 byte	-	Set/Get			
		0 to 0xFE: Automatic heating cycle code (See the automatic heating cycle code table in the subsection entitled "Automatic heating menu setting.") No automatic heating cycle specified = 0xFF							
Oven mode setting	0xD1	Used, when the value of the "heating mode setting" property (EPC = 0xE0) is 0x43 (= oven), to specify the sub-mode to use, and to acquire the current setting.	unsigned cha	1 byte	-	Set/Get			
		Automatic selection mode = 0x40 Convection oven mode = 0x41 Circulation oven mode = 0x42 Hybrid oven mode = 0x43 No sub-mode specified = 0xFF							
Oven preheating setting	0xD5	Used, when the value of the "heating mode setting" property (EPC = 0xE0) is 0x43 (oven), to specify whether or not to preheat the chamber for the selected oven sub-mode, and to acquire the current setting.	unsigned char	1 byte	-	Set/Get			
		With preheating = 0x41 Without preheating = 0x42 Not specified = 0xFF							
Fermenting mode setting	0xD6	Used, when the value of the "heating mode setting" property (EPC = 0xE0) is 0x46 (= fermenting), to specify the sub-mode to use, and to acquire the current setting.	unsigned char	1 byte	-	Set/Get			
		Automatic selection mode = 0x40 Convection fermentation mode = 0x41 Circulation fermentation mode = 0x42 Hybrid fermentation mode = 0x43 Microwave fermentation mode = 0x51 No mode specified = 0xFF							
Chamber temperature setting	0xE3	Used, when the value of the "heating mode setting" property (EPC = 0xE0) is 0x43 (= oven) or 0x46 (= fermenting), to specify the temperature in the chamber in 0.1°C increments, and to acquire the current setting.	signed short	2 bytes	°C	Set/Get			

		0xF554-0x7FFE (-273.2- 3276.6°C) 0x8001: Automatic 0x8002: Not specified							
Food temperature setting	0xE4	Used to specify the as-heated food temperature in 0.1°C increments, and to acquire the current setting.	signed short	2 bytes	°C	Set/Get			
		0xF554-0x7FFE (-273.2-3276.6°C) 0x8002: Not specified							
Heating time setting	0xE5	Used to specify the duration of heating in the HH:MM:SS format, and to acquire the current setting.	unsigned char × 3	3 bytes	—	Set/Get			
		0-0x17: 0-0x3B: 0-0x3B (= 0-23) (= 0-59) (= 0-59)							
Remaining heating time setting	0xE6	Used to specify the time remaining to complete the heating cycle in the HH:MM:SS format, and to acquire the current setting.	unsigned char × 3	3 bytes	—	Set/Get			
		0-0x17: 0-0x3B: 0-0x3B (= 0-23) (= 0-59) (= 0-59)							
Microwave heating power setting	0xE7	Used, when the value of the “heating mode setting” property (EPC = 0xE0) is 0x41 (= microwave heating), 0x42 (= defrosting), 0x47 (= stewing) or 0x48 (= steaming) or when the value of the “heating mode setting” property (EPC = 0xE0) is 0x46 (= fermenting) and the value of the “fermenting mode setting” property (EPC = 0xD6) is 0x51 (= microwave fermentation mode), to specify the microwave heating power in 1W increments, and to acquire the current setting.	unsigned short	2 bytes	1 W	Set/Get			
		0x0000-0xFFFFD (0-65533W)							
Prompt message setting	0xE8	Used, when it is necessary to instruct the combination microwave oven to temporarily stop heating at a point during a heating cycle to allow the user to perform manual reversing, mixing, etc. and display a message to instruct the user on the manual action to be performed, to specify the prompt message to be displayed and the timing of the message (in terms of a percentage of the total duration of the heating cycle that is allowed to elapse (from the start of the heating cycle) before the message is displayed), and to acquire the current settings. Up to 4 messages may be specified.	unsigned char × 2 × 4	8 bytes	—	Set/Get			
		First byte: Prompt message code (See the prompt message code table in the subsection entitled “Prompt message setting.”) Second byte: Timing value (0-0x64) (0-100%)							
“Accessories to combination microwave oven” setting	0xE9	Used to specify, by means of a 2-byte bit map, what accessory or accessories to the combination microwave oven to use, and to acquire the current setting.	unsigned short	2 bytes	—	Set/Get			

		The value contained in a bit in the bit map shall be “1” if the accessory represented by that bit is used and “0” if the accessory represented by that bit is not used (See the bitmap composition table in the subsection entitled “‘Accessories to combination microwave oven’ setting”).							
Display character string setting	0xEA	Used to input character strings (up to 20 characters) to use on the display of the combination microwave oven.	unsigned short × 20	40 bytes	—	Set			
		Shift-JIS code characters × 20							
Two-stage microwave heating setting (duration)	0xEB	Used, when the value of the “heating mode setting” property (EPC = 0xE0) is 0x51 (two-stage microwave heating), to specify the duration of the first and second microwave heating cycles in the HH:MM:SS format, and to acquire the current setting. Three bytes shall be used for each heating cycle, with the first and second sets of bytes used for the first and second heating cycles, respectively.	unsigned char × 3 × 2	6 bytes	—	Set/Get			
		Duration of first microwave heating cycle (first through third bytes): 0-0x17: 0-0x3B: 0-0x3B (= 0-23): (= 0-59): (= 0-59) Duration of second microwave heating cycle (fourth through sixth bytes): 0-0x17: 0-0x3B: 0-0x3B (= 0-23): (= 0-59): (= 0-59)							
Two-stage microwave heating setting (heating power)	0xEC	Used, when the value of the “heating mode setting” property (EPC = 0xE0) is 0x51 (two-stage microwave heating), to specify the heating power for the first and second microwave heating cycles in 1W increments, and to acquire the current setting. Two bytes shall be used for each heating cycle, with the first and second pairs of bytes used for the first and second heating cycles, respectively.	unsigned short × 2	4 bytes	1 W	Set/Get			
		Heating power for first microwave heating cycle (first and second bytes): 0x0000-0xFFFF (0-65533W) Heating power for second microwave heating cycle (third and fourth bytes): 0x0000-0xFFFF (0-65533W)							

Note: In the “Announcement at status change” column, ○ denotes mandatory processing when the property is implemented.

(1) Operation status (inherited from the device object super class property)

Operation status property specifies whether to place the combination microwave oven into the ON state (i.e. a state in which the combination microwave oven is operating in one of its heating modes or is waiting for a user operation using one of its heating modes) or OFF state, and to acquire the current setting. 0x30 and 0x31 shall be used for the ON and OFF states, respectively. In cases where the combination microwave oven belongs to a node in which the “combination microwave oven” class is implemented and it starts operating in one of its heating

modes or is ready to respond to user operation as soon as the node starts up, 0x30 may be implemented as the fixed value.

(2) Door open/close status

Door open/close status property specifies the status (i.e. open or closed) of the door of the combination microwave oven. 0x41 shall be used for the “open” state and 0x42 shall be used for the “closed” state.

(3) Heating status

Heating status property specifies the status of the combination microwave oven. The following property values shall be used:

Initial state (a state in which no setting has been made or the combination microwave oven is not heating anything): 0x40

Heating: 0x41

Heating suspended (a state in which the combination microwave oven is operating but the current heating cycle has been suspended): 0x42

Reporting completion of heating cycle (a state in which the specified heating cycle has been completed and the combination microwave oven is in the process of shifting to the initial state): 0x43

Setting (a state in which the heating mode, heating time, heating temperature, etc. are being set): 0x44

Preheating (a state in which a preheating cycle is being performed for an oven function-based heating cycle): 0x45

Preheat temperature maintenance (a state in which the preheat temperature achieved for an oven function-based heating cycle is being maintained): 0x46

Heating temporarily stopped for manual cooking action (a state in which heating has been temporarily stopped during a heating cycle to allow the user to perform manual reversing, mixing, etc. and a message is displayed to instruct the user on the manual action to be performed): 0x47

This property indicates the current heating status in more detail than the “heating setting” property (Get) (EPC = 0xB2). The relationship between the property values of this property and the property values of the “heating setting” property (Get) are as follows:

This property	Related property
“Heating status” property (Get) (EPC = 0xB1)	“Heating setting” property (Get) (EPC = 0xB2)
Heating: 0x41	Heating started/resumed: 0x41
Preheating: 0x45	
Preheat temperature maintenance: 0x46	
Heating suspended: 0x42	Heating suspended: 0x42

Heating temporarily stopped for manual cooking action: 0x47	
Initial state: 0x40	
Reporting completion of heating cycle: 0x43	Heating stopped: 0x43
Setting: 0x44	

(4) Heating setting

Heating setting property specifies whether to start, stop or suspend heating. 0x41, 0x42 and 0x43 shall be used for the “start/restart heating (heating started/restarted),” “suspend heating (heating suspended)” and “stop heating (heating stopped)” options/states, respectively.

(5) Heating mode setting

Heating mode setting property specifies the heating mode of the combination microwave oven, and to acquire the current setting (i.e. current mode).

The following property values shall be used:

Microwave heating: 0x41

Defrosting (a heating mode that is focused on defrosting frozen foods): 0x42

Oven: 0x43

Grill: 0x44

Toaster: 0x45

Fermenting: 0x46

Stewing (a heating mode that is focused on preparing stew-type dishes): 0x47

Steaming (a heating mode that is focused on preparing steamed dishes): 0x48

Two-stage microwave heating (a mode in which one microwave heating cycle is followed by another microwave heating cycle): 0x51

When no mode is specified, 0xFF shall be used.

It is only required to implement the property values that correspond to the modes supported by the actual piece of equipment in which this class is implemented. For example, if the piece of equipment in which this class is implemented does not have an oven function, it is not necessary to implement the value for the oven mode (0x43).

If a mode is specified by this property when both this property and the “automatic heating setting” property (EPC = 0xE1) have been implemented, the value of the “automatic heating setting” property shall change to 0x42 (manual heating) unless the property already contains 0x42. It is recommended that this property and the “automatic heating menu setting” property (EPC = 0xD0) be implemented in such a way that the value of the “automatic heating menu setting” property will change to 0xFF (= no menu item specified) when a mode is specified by this property.

(6) Automatic heating setting

Automatic heating setting property specifies whether or not to use the combination microwave oven’s automatic heating mode (i.e. a mode in which the combination microwave oven performs the automatic heating cycle specified by the “automatic heating menu setting” property), and to acquire the current setting. 0x41 and 0x42 shall be used for the “automatic heating” and “manual heating” options/states, respectively. When neither the “automatic heating” nor “manual heating” mode is specified, 0xFF shall be used.

If a mode is specified by the “heating mode setting” property (EPC = 0xE0) when both this property and the “heating mode setting” property have been implemented, the value of this property shall change to 0x42 (manual heating) unless it already contains 0x42.

If an automatic heating cycle is specified by the “automatic heating menu setting” property (EPC = 0xD0) when both this property and the “automatic heating menu setting” property have been implemented, the value of this property shall change to 0x41 (automatic heating) unless it already contains 0x41.

When the following property is set (SET),	The required property value of “Automatic heating setting” (EPC = 0xE1) property
If a mode is specified (Set) by the “heating mode setting” property (EPC = 0xE0)	The value of the “automatic heating setting” property (EPC = 0xE1) must be 0x42 (manual heating)
If an automatic heating cycle is specified (Set) by the “automatic heating menu setting” property (EPC = 0xD0)	The value of the “automatic heating setting” property (EPC = 0xE1) must be 0x41 (automatic heating)

(7) Automatic heating level setting

Automatic heating level setting property specifies by selecting a level from among the five predefined levels, the level of automatic heating for the option specified by the “automatic heating menu setting” property, and to acquire the current setting.

The heating temperature values for the 5 levels may be defined freely, as long as 0x31, 0x33 and 0x35 are used for the lowest, standard and highest temperatures, respectively. When no heating level is specified, 0xFF shall be used.

(8) Automatic heating menu setting

When the value of the “automatic heating setting” property is 0x41 (automatic heating), this property is used to select an automatic heating cycle, and to acquire the current setting. The property values specified in the table below shall be used (The property value range shall be 0x00 to 0xFF (0 to 255)). When no automatic heating cycle is specified, 0xFF shall be used.

Automatic Heating Cycle Codes

Automatic heating cycle code	Name of automatic heating cycle	Description
0x00	Fully automatic	An automatic heating cycle in which the combination microwave oven automatically determines what to do.
0x01	Reheating boiled rice	Reheats boiled rice that has gotten cold in the microwave heating mode.
0x02	Reheating cooked dish	Reheats cooked dishes (other than boiled rice) that have gotten cold in the microwave heating mode.
0x03	Sake	Warms sake in the microwave heating mode.
0x04	Milk	Heats milk in the microwave heating mode.
0x05	Boiling leafy vegetables	Boils leafy vegetables in the microwave heating mode.
0x06	Boiling fruit/flower vegetables	Boils fruit/flower vegetables in the microwave heating mode.
0x07	Boiling root vegetables	Boils root vegetables in the microwave heating mode.
0x08 to 0x1F	Reserved for future use.	
0x20	Defrosting meat	Defrosts frozen meat, etc.
0x21	Defrosting sashimi	Defrosts frozen sashimi, etc.
0x22 to 0x2F	Reserved for future use.	
0x30	Hamburger steaks	Grills hamburger steaks.
0x31	Gratins	Bakes gratins.
0x32	Chawan-mushi	Makes chawan-mushi (steamed savory egg custard with chicken, shrimps and vegetables).
0x33	Cooking rice	Cooks rice.
0x34	Reheating fries	Reheats fries that have gotten cold.
0x35	Fries	Makes fries.
0x36 to 0x5F	Reserved for future use.	
0x60	Sponge cakes	Bakes sponge cakes.
0x61	Chiffon cakes	Bakes chiffon cakes.
0x62	Cookies	Bakes cookies.
0x63	Cream puffs	Bakes cream puffs.
0x64	Rolls	Bakes rolls.
0x65	Toast	Toasts slices of bread.
0x66 to 0x7F	Reserved for future use.	
0x80 to 0xFE	To be defined by the user.	
0xFF	No automatic heating cycle specified.	

It is only required to implement the property values that correspond to the functions supported by the actual piece of equipment in which this class is implemented.

When the actual piece of equipment is capable of performing any of the automatic heating cycles listed above, the corresponding code must be implemented in the piece of equipment.

If an automatic heating cycle is specified by this property when both this property

and the “automatic heating setting” property (EPC = 0xE1) have been implemented, the value of the “automatic heating setting” property shall change to 0x41 (automatic heating) unless the “automatic heating setting” property already contains 0x41.

It is recommended that this property and the “heating mode setting” property (EPC = 0xE0) be implemented in such a way that the value of the “heating mode setting” property will change to 0xFF (= no mode specified) when an automatic heating cycle is specified by this property.

(9) Oven mode setting

When the value of the “heating mode setting” property (EPC = 0xE0) is 0x43 (oven), this property is used to specify the sub-mode to use, and to acquire the current setting.

The following property values shall be used:

Convection oven mode (heats the chamber or bakes food by allowing the heated air to convect within the chamber without forcefully circulating it): 0x41

Circulation oven mode (heats the chamber or bakes food by forcefully circulating the heated air within the chamber using a fan, etc.): 0x42

Hybrid oven mode (convection and circulation oven functions are used in combination): 0x43

Automatic selection mode (combination microwave oven automatically determines what to do within the “oven” mode): 0x40

When no sub-mode is specified, 0xFF shall be used.

It is only required to implement the property values that correspond to the modes supported by the actual piece of equipment in which this class is implemented. For example, if the piece of equipment in which this class is implemented does not have a circulation oven function, it is not necessary to implement the value for the circulation oven mode (0x42).

(10) Oven preheating setting

When the value of the “heating mode setting” property (EPC = 0xE0) is 0x43 (oven), this property is used to specify whether or not to preheat the chamber for the selected oven sub-mode, and to acquire the current setting. 0x41 and 0x42 shall be used for the “with preheating” and “without preheating” options, respectively. When no option is specified, 0xFF shall be used. When no option is specified, the mode to be used shall be implementation-dependent.

(11) Fermenting mode setting

When the value of the “heating mode setting” property (EPC = 0xE0) is 0x46 (fermenting), this property is used to specify the sub-mode to use, and to acquire the current setting.

The following property values shall be used:

Convection fermentation mode (heats the chamber and ferments food by allowing the heated air to convect within the chamber without forcefully circulating it): 0x41

Circulation fermentation mode (heats the chamber and ferments food by forcefully circulating the heated air within the chamber using a fan, etc.): 0x42

Hybrid fermentation mode (convection and circulation fermentation functions are used in combination to heat the chamber and ferment food): 0x43

Microwave fermentation mode (ferments food using the microwave heating function): 0x51

Automatic selection mode (combination microwave oven automatically determines what to do within the “fermenting” mode): 0x40

When no sub-mode is specified, 0xFF shall be used.

It is only required to implement the property values that correspond to the modes supported by the actual piece of equipment in which this class is implemented. For example, if the piece of equipment in which this class is implemented does not have a circulation fermentation function, it is not necessary to implement the value for the circulation fermentation mode (0x42).

(12) Chamber temperature setting

When the value of the “heating mode setting” property (EPC = 0xE0) is 0x43 (oven) or 0x46 (fermenting), this property is used to specify the temperature in the chamber in 0.1°C increments, and to acquire the current setting. The property value range shall be 0xF554 to 0x7FFE (-273.2 to 3276.6°C). When the property value of the actual piece of equipment is higher than the upper limit of the property value range, the overflow code 0x7FFF shall be used. When the property value is lower than the lower limit of the property value range, the underflow code 0x8000 shall be used.

When the actual piece of equipment automatically controls the chamber temperature (for example, in its fermenting mode), the property value shall be 0x8001.

When no temperature is specified, 0x8002 shall be used.

When a value is set in this property and the actual piece of equipment in which this class is implemented is not capable of achieving the temperature that corresponds to the property value (because part or all of the value range of the actual piece of equipment is below the lower limit of the property value range), the value to be used shall be implementation-dependent.

(13) Food temperature setting

Food temperature setting property specifies the as-heated food temperature in 0.1°C increments, and to acquire the current setting. The property value range shall be 0xF554 to 0x7FFE (-273.2 to 3276.6°C). When the property value of the actual piece of equipment is higher than the upper limit of the property value range, the overflow

code 0x7FFF shall be used. When the property value is lower than the lower limit of the property value range, the underflow code 0x8000 shall be used.

When no temperature is specified, 0x8002 shall be used.

When a value is set in this property and the actual piece of equipment in which this class is implemented is not capable of achieving the temperature that corresponds to the property value (because part or all of the value range of the actual piece of equipment is below the lower limit of the property value range), the value to be used shall be implementation-dependent.

In cases where the design is such that setting a value with this property may necessitate a “heating time setting” property (EPC = 0xE5) value change to ensure consistency between property contents, a means shall be provided to automatically make any required change to the content of the “heating time setting” property.

(14) Heating time setting

Heating time setting property specifies the duration of heating in the “hour (0x00 to 0x17 (0 to 23)): minute (0x00 to 0x3B (0 to 59)): second (0x00 to 0x3B (0 to 59))” format, and to acquire the current setting. Three bytes shall be used, with the highest- and lowest-order bytes used for the “hour” and “second” values, respectively. When the heating time is unknown because an automatic heating cycle has been specified by the “automatic heating menu setting” property or for any other reason, 0xFDFDFD shall be used as the property value. The heating time shall be specified before the heating starts.

When no heating time is specified, 0x000000 shall be used.

When a value is set in this property and the actual piece of equipment in which this class is implemented is not capable of achieving the duration that corresponds to the property value (because part or all of the value range of the actual piece of equipment is below the lower limit of the property value range), the value to be used shall be implementation-dependent.

In cases where the design is such that setting a value with this property may necessitate a “food temperature setting” property (EPC = 0xE4) value change to ensure consistency between property contents, a means shall be provided to automatically make any required change to the content of the “food temperature setting” property.

(15) Remaining heating time

Remaining heating time property specifies the time remaining to complete the heating cycle in the “hour (0x00 to 0x17 (0 to 23)): minute (0x00 to 0x3B (0 to 59)): second (0x00 to 0x3B (0 to 59))” format, and to acquire the current setting. Three bytes shall be used, with the highest- and lowest-order bytes used for the “hour” and “second” values, respectively.

When the remaining heating time is unknown because an automatic heating cycle has been specified by the “automatic heating menu setting” property or for any other reason, 0xFDFDFD shall be used as the property value.

When no remaining heating time is specified, 0x000000 shall be used.

The remaining heating time shall be specified after the heating starts, because the setting of a value in this property means altering the remaining heating time.

(16) Microwave heating power setting

When the value of the “heating mode setting” property (EPC = 0xE0) is 0x41 (microwave heating), 0x42 (defrosting), 0x47 (stewing) or 0x48 (steaming), or when the value of the “heating mode setting” property (EPC = 0xE0) is 0x46 (fermenting) and the value of the “fermenting mode setting” property (EPC = 0xD6) is 0x51 (microwave fermentation mode), this property is used to specify the microwave heating power in 1W increments, and to acquire the current setting.

The property value range shall be 0x0000 to 0xFFFFD (0 to 65533W).

When the property value of the actual piece of equipment is higher than the upper limit of the property value range, the overflow code 0xFFFF shall be used. When the property value is lower than the lower limit of the property value range, the underflow code 0xFFFE shall be used.

When a value is set in this property and the actual piece of equipment is not capable of achieving the microwave heating power that corresponds to the property value, the value to be used shall be implementation-dependent.

When the microwave heating power is not specified, 0x0000 shall be used.

(17) Prompt message setting

When it is necessary to instruct the combination microwave oven to temporarily stop heating at a point during a heating cycle to allow the user to perform manual reversing, mixing, etc. and display a message to instruct the user on the manual action to be performed, this property is used to specify the prompt message to be displayed and the timing of the message (in terms of a percentage of the total duration of the heating cycle that is allowed to elapse (from the start of the heating cycle) before the message is displayed), and to acquire the current settings.

This property shall use four pairs of bytes, with the first and second bytes of each pair used for the prompt message code (0x00 to 0xFF (0 to 255)) and the timing value (0x00 to 0x64 (0 to 100%)), respectively. The pairs of values shall be arranged in the order that the messages will be displayed. The prompt message codes are defined as follows:

Prompt Message Codes

Prompt message code	Instruction
---------------------	-------------

0x00	No instruction
0x01	Please stir the mixture.
0x02	Please stir the mixture using an eggbeater.
0x03	Please stir the mixture gently but thoroughly.
0x04	Please mix the ingredients thoroughly.
0x05	Please reverse foods.
0x06	Please skim the scum.
0x07 to 0x1F	Reserved for future use.
0x20	Please cover with aluminum foil and continue heating.
0x21	Please cover with clear plastic wrap and continue heating.
0x22	Please put the lid on the pot and continue heating.
0x23 to 0x2F	Reserved for future use.
0x30	Please remove the aluminum foil and continue heating.
0x31	Please remove the clear plastic wrap and continue heating.
0x32	Please take the lid off the pot and continue heating.
0x33 to 0x3F	Reserved for future use.
0x40	Please add the appropriate ingredients.
0x41	Please sprinkle salt and pepper.
0x42 to 0x4F	Reserved for future use.
0x50	Preheating completed
0x51 to 0x7F	Reserved for future use.
0x80 to 0xFF	To be defined by the user.

Example:

When the total duration of the heating cycle is 10 minutes and the combination microwave oven is to be instructed to display the prompt message “Please reverse foods” (0x05) two minutes (0x14 = 20% of the total duration of the heating cycle) after the heating cycle starts, the content of the property shall be 0x05 14 00 00 00 00 00 00.

(18) “Accessories to combination microwave oven” setting

“Accessories to combination microwave oven” setting property specifies, by means of a 2-byte bitmap, what accessory or accessories to use for the combination microwave oven, and to acquire the current setting. The value contained in a bit in the bitmap shall be “1” if the accessory represented by that bit is used (in the specified position in cases where the position is specified) and “0” if the accessory represented by that bit is not used.

When Bit 15 contains “1”, it shall mean that the accessories represented by all the other bits (Bit 0 through Bit 14) are used. When Bit 15 contains “0”, it shall mean that one or more accessories selected from those represented by Bit 0 through Bit 14

are used.

The composition of the 2-byte bitmap shall be as follows:

Bit number	Accessory	Explanation
Bit 0	Ceramic turntable	A circular ceramic turntable that is attachable to a rotating lattice, etc.
Bit 1	Glass turntable	A circular glass turntable that is attachable to a rotating lattice, etc.
Bit 2	Metallic turntable	A circular metallic turntable that is attachable to a rotating lattice, etc.
Bit 3	Rotating lattice	A rotating lattice or plate.
Bit 4	Rotating latticed metallic grill	A latticed metallic grill that is attachable to a turntable.
Bit 5	Rectangular ceramic tray (third shelf level [as counted from the lowest shelf level])	A rectangular ceramic tray for use at the third shelf level of the chamber of a combination microwave oven having 3 shelf levels.
Bit 6	Rectangular metallic tray (third shelf level [as counted from the lowest shelf level])	A rectangular metallic tray for use at the third shelf level of the chamber of a combination microwave oven having 3 shelf levels.
Bit 7	Latticed metallic grill (third shelf level [as counted from the lowest shelf level])	A latticed metallic grill that is mountable on a rectangular tray for use at the third shelf level of the chamber of a combination microwave oven having 3 shelf levels.
Bit 8	Rectangular ceramic tray (second shelf level [as counted from the lowest shelf level])	A rectangular ceramic tray for use at the second shelf level of the chamber of a combination microwave oven having 2 or more shelf levels.
Bit 9	Rectangular metallic tray (second shelf level [as counted from the lowest shelf level])	A rectangular metallic tray for use at the second shelf level of the chamber of a combination microwave oven having 2 or more shelf levels.
Bit 10	Latticed metallic grill (second shelf level [as counted from the lowest shelf level])	A latticed metallic grill that is mountable on a rectangular tray for use at the second shelf level of the chamber of a combination microwave oven having 2 or more shelf levels.
Bit 11	Rectangular ceramic tray (first shelf level [lowest shelf level])	A rectangular ceramic tray for use at the lowest shelf level of the chamber of a combination microwave oven.
Bit 12	Rectangular metallic tray (first shelf level [lowest shelf level])	A rectangular metallic tray for use at the lowest shelf level of the chamber of a combination microwave oven.
Bit 13	Latticed metallic grill (first shelf level [lowest shelf level])	A latticed metallic grill that is mountable on a rectangular tray for use at the lowest shelf level of the chamber of a combination microwave oven.
Bit 14	To be defined by the user.	
Bit 15	Accessory selection bit	When Bit 15 contains "1", it shall mean that the accessories represented by all the other bits (Bit 0 through Bit 14) are used. When Bit 15 contains "0", it shall mean that one or more accessories selected from the accessories represented by Bit 0 through Bit 14 are used.

It is only required to implement the property values that correspond to the functions supported by the actual piece of equipment in which this class is implemented.

When the actual piece of equipment is capable of providing any of the messages listed above, the corresponding code must be implemented in the piece of equipment.

When none of the accessories is to be used, Bits 0 through Bit 14 shall contain “0” and Bit 15 shall contain “1” (property value = 0x8000).

When no accessory is specified or the accessories selected are unknown, Bits 0 through Bit 14 and Bit 15 shall contain “0” (property value = 0x0000).

It is only required to implement the property values that correspond to the functions supported by the actual piece of equipment in which this class is implemented.

(19) Display character string setting

Display character string setting property specifies to input character strings to use on the display of the combination microwave oven. The shift-JIS code system (1 character = 2 bytes) shall be used. The maximum number of characters shall be 20. The first and succeeding pairs of bytes shall be used for the first and succeeding characters, respectively. When the number of characters to input is less than 20, each pair of bytes after the pair of bytes that contains the last character shall contain the shift-JIS space code (0x8140). For example, when the number of characters is 15, each of the 16th through 20th pairs of bytes shall contain the shift-JIS space code (0x8140).

(20) Two-stage microwave heating setting (duration)

When the value of the “heating mode setting” property (EPC = 0xE0) is 0x51 (two-stage microwave heating), this property is used to specify the duration of the first and second microwave heating cycles in the “hour (0x00 to 0x17 (0 to 23)): minute (0x00 to 0x3B (0 to 59)): second (0x00 to 0x3B (0 to 59))” format, and to acquire the current setting. Three bytes shall be used for each heating cycle, with the first set of bytes (first through third bytes) and second set of bytes (fourth through sixth bytes) used for the first and second heating cycles, respectively, and the highest- and lowest-order bytes of each set of bytes used for the “hour” and “second” values, respectively.

When the duration of the heating cycles for two-stage microwave heating is not specified, the value 0x000000 000000 shall be used.

The durations shall be specified before the two-stage microwave heating starts.

This property is independent of the “heating time setting” property (EPC = 0xE5) and there is no need to correlate the properties.

When a value is set in this property and the actual piece of equipment in which this class is implemented is not capable of achieving the duration that corresponds to the property value (because part or all of the value range of the actual piece of equipment is below the lower limit of the property value range), the value to be used shall be

implementation-dependent.

(21) Two-stage microwave heating setting (heating power)

When the value of the “heating mode setting” property (EPC = 0xE0) is 0x51 (two-stage microwave heating), this property is used to specify the heating power for the first and second microwave heating cycles in 1W increments, and to acquire the current setting. Two bytes shall be used for each heating cycle, with the first pair of bytes (first and second bytes) and second pair of bytes (third and fourth bytes) used for the first and second heating cycles, respectively.

The property value range for each microwave heating cycle shall be 0x0000 to 0xFFFFD (0 to 65533W). When the property value of the actual piece of equipment is higher than the upper limit of the property value range, the overflow code 0xFFFF shall be used. When the property value is lower than the lower limit of the property value range, the underflow code 0xFFFE shall be used.

When a value is set in this property and the actual piece of equipment is not capable of achieving the microwave heating power that corresponds to the property value, the value to be used shall be implementation-dependent.

When the heating power for the heating cycles for two-stage microwave heating is not specified, the value 0x0000 0000 shall be used.

This property is independent of the “microwave heating power setting” property (EPC = 0xE7) and there is no need to correlate the properties.

3. 4. 4 Requirements for cooking heater class

Class group code : 0x03

Class code : 0xB9

Instance code : 0x01–0x7F (0x00: All-instance specification code)

Property name	EPC	Contents of property	Data type	Data size	Unit	Access rule	Man-datory	Announcement at status change	Remark
		Value range (decimal notation)							
Operation status	0x80	This property indicates the ON/OFF status.	unsigned char	1 byte	—	Set		○	
		ON=0x30, OFF=0x31				Get			
Heating status	0xB1	Heating status of the left stove: heating status of the right stove: heating status of the far-side stove: heating status of the roaster.	unsigned char × 4	1 byte × 4	–	Get	○		
		Standing by: 0x40 Operating: 0x41 Temporarily stopped: 0x42 Heating prohibited: 0x50 Unknown: 0xFF							
Heating setting	0xB2	Left stove setting: right stove setting: far-side stove setting: roaster setting	unsigned char	1 byte	–	Set/Get			
		Stop heating: 0x40 Start/resume heating: 0x41 Temporarily stop heating: 0x42 No setting: 0xFF							
“All stop” setting	0xB3	Used to stop the heating on all the left stove, right stove, far-side stove and roaster.	unsigned char	1 byte	–	Set	Ⓜ		
		Stop the heating on all of the left stove, right stove, far-side stove and roaster: 0x40							
Heating power setting	0xE7	Heating power of the left stove: heating power of the right stove: heating power of the far-side stove: heating power of the roaster	unsigned char × 4	2 bytes × 4	W Or Level Or –	Set/Get			
		<ul style="list-style-type: none"> • When the heating powers are specified in terms of output wattage (0–10000W) : 0x0000–0x2710 • When the heating powers are specified in terms of level (17 levels) : 0x3000–0x3010 • When the heating powers are specified in terms of the state of flame: <ul style="list-style-type: none"> Very low flame: 0x4002 Low flame: 0x4004 Medium flame: 0x4006 High flame: 0x4008 High power: 0x400a • No setting: 0xFFFF 							

Property name	EPC	Contents of property	Data type	Data size	Unit	Access rule	Mandatory	Announcement at status change	Remark
		Value range (decimal notation)							
Heating temperature setting	0xE3	Left stove temperature setting: right stove temperature setting: far-side stove temperature setting	unsigned char × 3	1 byte × 3	°C	Set/Get			
		Temperature setting: 0x32–0xFA (50–250°C) No setting: 0xFF							
“Heating modes of stoves” setting	0xE0	Heating mode of the left stove: heating mode of the right stove: heating mode of the far-side stove	unsigned char × 3	1 byte × 3	–	Set/Get			
		Heating power control mode: 0x41 Deep-frying mode (tempura, etc.): 0x42 Water heating mode: 0x43 Rice boiling mode: 0x44 Stir-frying mode: 0x45 No setting: 0xFF							
Relative time settings of OFF timers	0x96	Relative time setting of the left stove OFF timer: relative time setting of the right stove OFF timer: relative time setting of the far-side stove OFF timer: relative time setting of the roaster OFF timer	unsigned char × 3 × 4	1 byte × 3 × 4	–	Set/Get			
		Used to set the relative time settings of the OFF timers (in the HH:MM:SS format), activate the relevant timers and acquire the updated current relative time settings of the OFF timers. (0–0x17 : 0–0x3B: 0–0x3B) × 4 (= 0–23) : (= 0–59): (= 0–59) No setting: 0xFFFFFFFF							
Child lock setting	0xA1	Child lock ON/OFF setting	unsigned char	1 byte	–	Set/Get			
		Child lock OFF: 0x40 Child lock ON: 0x41							
Radiant heater lock setting	0xA2	Radiant heater lock ON/OFF	unsigned char	1 byte	–	Set/Get			
		Radiant heater lock OFF: 0x40 Radiant heater lock ON: 0x41							

Note: In the “Announcement at status change” column, ○ denotes mandatory processing when the property is implemented.

(1) Operation status (The device object super class property is inherited.)

This property indicates whether this object is ready to accept control commands (ON state) or not (OFF state).

The values “0x30” and “0x31” shall be assigned to the ON and OFF states, respectively.

In the case of a node implemented with this class in which this class becomes ready to accept control commands as soon as the node starts operating, this property may be implemented with the property value fixed at “0x30.”

(2) Heating status

A GET on this property acquires the heating statuses of the cooking heater’s left stove,

right stove, far-side stove and roaster.

Each of the states described below shall be assigned with the indicated value:

“Standing by” state (i.e. a state whereby the cooking heater is not operating): 0x40

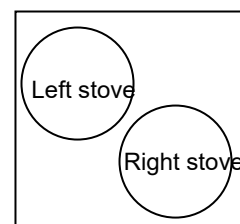
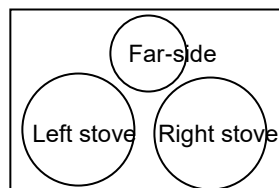
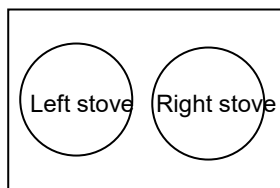
“Operating” state: 0x41

“Temporarily stopped” state (i.e. a state whereby the cooking heater is operating but the heating is temporarily stopped): 0x42

“Heating prohibited” state (i.e. a state whereby the cooking heater is prohibited from starting to operate): 0x50

“Unknown” (i.e. it is not clear what state the cooking heater is in.): 0xFF

The heating statuses of the left stove, right stove, far-side stove (the “left stove,” “right stove” and “far-side stove” are the stoves located on the left, right and far sides, respectively, as seen from the front) and roaster shall be indicated in the stated order using 4 bytes. For example, if the status of the left stove is “Operating” and the statuses of the right stove, far-side stove and roaster are “Standing by,” the property value is “0x41404040.”



(3) Heating setting

A SET on this property sets the heating operation settings of the cooking heater’s left stove, right stove, far-side stove and roaster.

The property values “0x40,” “0x41,” “0x42” and “0xFF” shall be assigned to “Stop heating,” “Start/resume heating,” “Temporarily stop heating” and “No setting,” respectively.

A GET on this property acquires the current settings.

The heating settings of the left stove, right stove, far-side stove (the “left stove,” “right stove” and “far-side stove” are the stoves located on the left, right and far sides, respectively, as seen from the front) and roaster shall be indicated in the stated order using 4 bytes. For example, in the case of a SET to set only the left stove to “Start/resume heating,” the property value is “0x41FFFFFF.” If a stove or the roaster is set to a value other than “0xFF” and then to “0xFF,” the setting of the stove or roaster acquired by a GET on this property will be the value before the stove or roaster was set to “0xFF.” For example, if the property is first set to “0x41FFFFFF” and then to “0xFF41FFFF,” the GET value will be “0x4141FFFF.”

(4) “All stop” setting

A SET on this property stops the heating on all of the cooking heater’s left stove, right stove, far-side stove and roaster.

The property value for stopping the heating on all of the cooking heater’s left stove, right stove, far-side stove and roaster shall be “0x40.”

In the case where a “mobile service” is to be supported, the implementation of this property is mandatory.

(5) Heating power setting

A SET on this property sets the heating power settings of the cooking heater’s stoves and roaster.

In the case where the heating powers are specified in terms of output wattage (in units of 1W), values in the “0x0000–0x2710” (0W–10000W) range shall be used.

In the case where the heating powers are specified in terms of power level, 17 power levels shall be provided and values between 0x3000 and 0x3010 shall be used. The states that correspond to the 17 levels may be defined freely, as long as the values “0x3000” and “0x3010” are assigned to the states in which the heating power is lowest and highest, respectively. The state that corresponds to “0x3000” shall be the state in which the heating power is lowest, and shall not be a state in which the heating power is 0.

In the case where the heating powers are specified in terms of the state of flame, each of the states described below shall be assigned with the indicated value:

Very low flame: 0x4002, Low flame: 0x4004, Medium flame: 0x4006, High flame: 0x4008, High power: 0x400A, No setting: 0xFFFF.

The heating power settings of the left stove, right stove, far-side stove (the “left stove,” “right stove” and “far-side stove” are the stoves located on the left, right and far sides, respectively, as seen from the front) and roaster shall be indicated in the stated order using 8 bytes. For example, the property value in the case where the left stove is set to “High flame,” the right stove is set to “Very low flame” and the heating powers of the far-side stove and roaster are not specified is “0x4008 4002 FFFF FFFF.”

A GET on this property acquires the current heating power settings of the cooking heater. The heating power settings of the cooking heater in the case where the device cannot achieve the values set in this property shall be implementation-dependent.

(6) Heating temperature setting

A SET on this property sets the heating temperature settings of the stoves of the cooking heater (in units of 1°C). A GET on this property acquires the current heating temperature settings of the stoves. The value range shall be 0x32 to 0xFA (50°C to 250°C). The value “0xFF” indicates that the setting is not set. The operation of the actual device in the case where a property value the actual device implemented with

this class does not support is specified shall be implementation-dependent.

The heating temperature settings of the left stove, right stove and far-side stove (the “left stove,” “right stove” and “far-side stove” are the stoves located on the left, right and far sides, respectively, as seen from the front) shall be indicated in the stated order using 3 bytes. For example, the property value in the case where the heating temperature setting of the left stove is 180°C and the heating temperature settings of the right and far-side stoves are not set is “0xB4FFFF.”

(7) “Heating modes of stoves” setting

A SET on this property sets the heating modes of the left stove, right stove (the “left” and “right” stoves are the stoves located in the left and right, respectively, as seen from the front) and far-side stove.

A GET on this property acquires the current heating mode settings of the stoves.

Each of the modes described below shall be assigned with the indicated value:

Heating power control mode (i.e. a mode in which the operation is controlled using heating power values that can be set through EPC 0xE7): 0x41

Deep-frying mode (tempura, etc.) (i.e. a mode for cooking deep fries (tempura, etc.) using heating temperature values that can be set through EPC 0xE3): 0x42

Water heating mode: 0x43, Rice boiling mode: 0x44, Stir-frying mode (i.e. a heating mode suitable for cooking stir fries): 0x45

No setting: 0xFF

The heating mode settings of the left stove, right stove and far-side stove (the “left stove,” “right stove” and “far-side stove” are the stoves located on the left, right and far sides, respectively, as seen from the front) shall be indicated in the stated order using 3 bytes. For example, the property value in the case where the heating mode settings of the left and right stoves are “Heating power control mode” and the heating mode setting of the far-side stove is not set is “0x4141FF.”

(8) Relative time settings of OFF timers

A SET on this property sets the relative time settings of the left stove OFF timer, right stove OFF timer, far-side stove OFF timer and roaster OFF timer of the cooking heater.

A GET on this property acquires the updated relative time settings of the stove OFF timers and roaster OFF timer.

The format for the settings shall be “Hour (0x00 to 0x17 (0 to 23)): Minute (0x00 to 0x3B (0 to 59)): Second (0x00 to 0x3B (0 to 59)).”

The relative time settings of the left stove, right stove and far-side stove (the “left stove,” “right stove” and “far-side stove” are the stoves located on the left, right and far sides, respectively, as seen from the front) OFF timers and the roaster OFF timer shall be indicated in the stated order using 12 bytes. For example, the property value in the case where the relative time setting of the left stove OFF timer is 1 hour and 10

minutes is “0x01 0A 00 FF FF FF FF FF FF FF FF FF FF.”

The operation of the actual device in the case where a property value the actual device implemented with this class does not support (e.g. a property value that is above the upper limit of the OFF timer setting range for the actual device implemented with this class) is specified is implementation-dependent.

(9) Child lock setting

A SET on this property sets the child lock setting of the cooking heater.

A GET on this property acquires the current child lock setting of the cooking heater.

The property values “0x40” and “0x41” shall be assigned to the child lock OFF (deactivated) and ON states, respectively.

(10) Radiant heater lock setting

A SET on this property sets the radiant heater lock setting of the cooking heater.

A GET on this property acquires the current radiant heater lock setting of the cooking heater.

The property values “0x40” and “0x41” shall be assigned to the radiant heater lock OFF (deactivated) and ON states, respectively.

3. 4. 5 Requirements for rice cooker class

Class group code : 0x03

Class code : 0xBB

Instance code : 0x01–0x7F (0x00: All-instance specification code)

Property name	EPC	Contents of property	Data type	Data size	Unit	Access rule	Mandatory	Announcement at status change	Remark
		Value range (decimal notation)							
Operation status	0x80	This property indicates the ON/OFF status.	unsigned char	1 byte	—	Set	○		
		ON=0x30, OFF=0x31				Get			
Cover open/close status	0xB0	This property indicates whether the cover is open or closed.	unsigned char	1 byte	—	Get			
		Cover open = 0x41, Cover closed = 0x42							
Rice cooking status	0xB1	This property indicates rice cooking status.	unsigned char	1 byte	—	Get	○		
		Stop = 0x41, Preheating = 0x42, Rice cooking = 0x43, Steaming = 0x44, Rice cooking completion = 0x45							
Rice cooking control setting	0xB2	This property indicates rice cooking control setting.	unsigned char	1 byte	—	Set/Get	Ⓜ		
		Rice cooking start/restart = 0x41, Rice cooking suspension = 0x42							
Warmer setting	0xE1	This property indicates whether or not warmer function is enabled.	unsigned char	1 byte	—	Set/Get			
		Warmer enabled = 0x41, Warmer disabled = 0x42							
Inner pot removal status	0xE5	This property indicates whether inner pot is removed or not.	unsigned char	1 byte	—	Get			
		Removed = 0x41, Not removed = 0x42							
Cover removal status	0xE6	This property indicates whether or not cover is removed.	unsigned char	1 byte	—	Get			
		Removed = 0x41, Not removed = 0x42							
Rice cooking reservation setting	0x90	This property indicates whether rice cooking reservation is ON or OFF.	unsigned char	1 byte	—	Set/Get			
		Reservation ON = 0x41, Reservation OFF = 0x42							
Set value of rice cooking reservation setting time	0x91	Timer value (HH:MM)	unsigned char × 2	2 bytes	—	Set/Get			
		0–0x17: 0–0x3B (= 0–23): (= 0–59)							
Set value of rice cooking reservation setting relative time	0x92	Timer value (HH:MM)	unsigned char × 2	2 bytes	—	Set/Get			
		0–0x17: 0–0x3B (= 0–23): (= 0–59)							

Note: In the “Announcement at status change” column, ○ denotes mandatory processing when the property is implemented.

(1) Operation status (inherited from the device object super class property)

This property indicates whether the functions unique to this class are ready to be used (ON) or not (OFF).

In cases where the piece of equipment belongs to a node in which this class is implemented and the functions unique to this class become ready as soon as the node starts up, 0x30 (ON) may be implemented as the fixed value.

(2) Cover open/close status

This property indicates whether the rice cooker cover is open or closed. The value 0x41 shall be used to indicate that the cover is open. The value 0x42 shall be used to indicate that the cover is closed.

(3) Rice cooking status

This property indicates the rice cooking status. The values to be used shall be 0x41 for rice cooking stop, 0x42 for preheating, 0x43 for rice cooking, 0x44 for steaming, and 0x45 for rice cooking completion.

(4) Rice cooking control setting

This property indicates the rice cooking control setting (rice cooking start/restart or rice cooking suspension). The values to be used shall be 0x41 for rice cooking start/restart and 0x42 for rice cooking suspension. In the case where a “home amenity service” is to be supported, the implementation of this property is mandatory.

(5) Warmer setting

This property indicates the warmer setting. The value 0x41 shall be used to indicate that the warmer function is enabled. The value 0x42 shall be used to indicate that the function is disabled.

(6) Inner pot removal status

This property indicates whether or not the inner pot is removed. The value 0x41 shall be used to indicate that the inner pot is removed. The value 0x42 shall be used to indicate that the inner pot is not removed.

(7) Cover removal status

This property indicates whether or not the cover is removed. Here, the expression “the cover is removed” indicates that at least part of a removable cover whose removal is detectable is removed. The value 0x41 shall be used to indicate that the cover is removed. The value 0x42 shall be used to indicate that the cover is not

removed.

(8) Rice cooking reservation setting

This property indicates whether the rice cooking reservation is ON or OFF. The value 0x41 shall be used to indicate that the rice cooking reservation is ON. The value 0x42 shall be used to indicate that the rice cooking reservation is OFF.

(9) Set value of rice cooking reservation setting time

When the “Rice cooking reservation setting” is ON (0x41), this property indicates the time at which rice cooling starts according to the “Rice cooking control setting” or the “Rice cooking status” changes to the “Rice cooking completion” state. The time indication is given in hours and minutes (hour: 0x00 to 0x17 (0 to 23); minute: 0x00 to 0x3B (0 to 59)). The property value shall sequentially indicate the hour and minute, beginning with the high-order byte. The higher- and lower-order bytes shall be used for the “hour” and “minute” values, respectively.

(10) Set value of rice cooking reservation setting relative time

When the “Rice cooking reservation setting” is ON (0x41), this property indicates a time relative to the current time to specify the time at which rice cooling starts according to the “Rice cooking control setting” or the “Rice cooking status” changes to the “Rice cooking completion” state. The data format shall be such that the hour and minute values range from 0x00 to 0x17 (0 to 23) and 0x00 to 0x3B (0 to 59), respectively. The property value shall sequentially indicate the hour and minute, beginning with the high-order byte.

3. 4. 6 Requirements for washing machine class

Class group code : 0x03

Class code : 0xC5

Instance code : 0x01–0x7F (0x00 : All-instance specification code)

Property name	EPC	Contents of property	Data type	Data size	Unit	Access rule	Mandatory	Announcement at status change	Remark
		Value range (decimal notation)							
Operation status	0x80	This property indicates the ON/OFF status.	unsigned char	1 byte	—	Set	○		
		ON=0x30, OFF=0x31				Get			
Door/cover open/close status	0xB0	This property indicates whether the door/cover is open or closed.	unsigned char	1 byte	–	Get			
		Door/cover open = 0x41 Door/cover closed = 0x42							
Washing machine setting	0xB2	Washing machine setting	unsigned char	1 byte	–	Set/Get			
		Start/restart the washing cycle (started/restarted) = 0x41 Suspend the washing cycle (suspended) = 0x42 Stop the washing cycle (stopped) = 0x43							
Current stage of washing cycle	0xE1	This property indicates the current stage of the washing cycle.	unsigned char	1 byte	–	Get			
		Washing = 0x41, rinsing = 0x42, spin drying = 0x43, suspended = 0x44, washing cycle stopped/completed = 0x45							
Time remaining to complete washing cycle	0xE6	This property indicates the time remaining to complete the current washing cycle in the HH:MM:SS format.	unsigned char × 3	3 bytes	–	Get			
		0–0x17: 0–0x3B: 0–0x3B (= 0–23): (= 0–59): (= 0–59)							
ON timer reservation setting	0x90	Reservation ON/OFF	unsigned char	1 byte	–	Set/Get			
		Reservation ON = 0x41, reservation OFF = 0x42							
ON timer setting	0x91	Timer value (HH:MM)	unsigned char × 2	2 bytes	–	Set/Get			
		0–0x17: 0–0x3B (= 0–23): (= 0–59)							
Relative time-based ON timer setting	0x92	Timer value (HH:MM)	unsigned char × 2	2 bytes	–	Set/Get			
		0–0x17: 0–0x3B (= 0–23): (= 0–59)							

Note: In the “Announcement at status change” column, ○ denotes mandatory processing when the property is implemented.

(1) Operation status (inherited from the device object super class property)

This property indicates whether the washing machine is in the ON state (i.e. the

washing machine responds to user operation) or OFF state. 0x30 and 0x31 shall be used for the ON and OFF states, respectively. In cases where the washing machine belongs to a node in which the “washing machine” class is implemented and the washing machine is ready to respond to user operation as soon as the node starts up, 0x30 may be implemented as the fixed value.

(2) Door/cover open/close status

This property indicates whether the door/cover of the washing machine is open or closed. 0x41 shall be used for the “open” state and 0x42 shall be used for the “closed” state.

(3) Washing machine setting

Specifies whether to start/restart, suspend or stop the washing cycle. 0x41, 0x42 and 0x43 shall be used for the “start/restart,” “suspend” and “stop” options, respectively.

(4) Current stage of washing cycle

This property indicates the current stage of the washing cycle (i.e. washing, rinsing, spin drying, suspended or washing cycle completed/stopped). 0x41, 0x42, 0x43, 0x44 and 0x45 shall be used for the “washing,” “rinsing,” “spin drying,” “suspended” and “washing cycle completed/stopped” stages, respectively.

(5) Time remaining to complete washing cycle

This property indicates the time remaining to complete the current washing cycle in the “hour (0x00 to 0x17(0 to 23)): minute (0x00 to 0x3B (0 to 59)): second (0x00 to 0x3B (0 to 59))” format. One byte shall be used for each of the 3 values, with the highest-order byte used for the “hour” value and the lowest-order byte used for the “second” value.

(6) ON timer reservation setting

Specifies whether or not to use the washing cycle reservation function. The property value shall be 0x41(reservation ON) or 0x42(reservation OFF). This property is used in combination with the “ON timer setting” or “relative time-based ON timer setting” property.

(7) ON timer setting

When the “ON timer reservation setting” property value is “ON,” this property indicates, in the “hour (0x00 to 0x17 (0 to 23)): minute (0x00 to 0x3B (0 to 59))” format, the time at which the “washing cycle setting” property value will change to “washing cycle start” or the “current stage of washing cycle” property value will change to “washing cycle completed.” The higher- and lower-order bytes shall be

used for the “hour” and “minute” values, respectively.

(8) Relative time-based ON timer setting

When the “ON timer reservation setting” property value is “ON,” this property indicates, in terms of a relative time (“hour (0x00 to 0x17 (0 to 23)) : minute (0x00 to 0x3B (0 to 59))” format) relative to the current time, the time at which the “washing cycle setting” property value will change to “washing cycle start” or the “current stage of washing cycle” property value will change to “washing cycle completed.” The higher- and lower-order bytes shall be used for the “hour” and “minute” values, respectively.

3. 4. 7 Requirements for commercial showcase class

Class group code : 0x03

Class code : 0xCE

Instance code : 0x01–0x7F (0x00: All-instance specification code)

Property name	EPC	Contents of property	Data type	Data size	Unit	Access rule	Mandatory	Announcement at status change	Remark
		Value range (decimal notation)							
Operation status	0x80	This property indicates the ON/OFF status.	unsigned char	1 byte	-	Set		○	
		ON=0x30, OFF=0x31				Get			
Operation mode setting	0xB0	Used to set cooling, non-cooling, defrosting, and other operating modes and to acquire the setting status.	unsigned char	1 byte	-	Set/Get	○	○	
		0x41 (cooling), 0x42 (non-cooling), 0x43 (defrosting), 0x40 (others)							
Measured value of discharge temperature	0xBD	Used to acquire measurements of discharge temperature.	unsigned char	1 byte	°C	Get			
		0x81–0x7D							
Group information	0xCA	Information to link showcases with outdoor units for showcases	unsigned char	1 byte	-	Set			
		0x00: No setting, 0x01-0xFD				Get			
Internal lighting operation status	0xE0	Indicates ON/OFF status of lighting installed inside the showcase.	unsigned char	1 byte	-	Set		○	
		0x30 (ON), 0x31 (OFF)				Get			
External lighting operation status	0xE1	Indicates ON/OFF status of lighting installed outside the showcase.	unsigned char	1 byte	-	Set/Get		○	
		0x30 (ON), 0x31 (OFF)							
Compressor operation status	0xE2	Indicates ON/OFF status of compressor when showcase and compressor are a single unit.	unsigned char	1 byte	-	Set/Get			
		0x30 (ON), 0x31 (OFF)							
Measured value of internal temperature	0xE3	Used to acquire internal temperature measurements inside the showcase.	signed char	1 byte	°C	Get	○		
		0x81-0x7D (-127-125°C)							
Freezing capability value	0xE4	Indicates rated power consumption necessary when showcase is cooling.	unsigned short	2 bytes	W	Get			
		0-0xFFFFD (0-65533)							
Defrosting heater power consumption	0xE5	Indicates rated power consumption when heater is operating during showcase defrosting.	unsigned short	2 bytes	W	Get			
		0-0xFFFFD (0-65533)							
Fan motor power consumption	0xE6	Indicates rated power consumption when showcase is operating fan motor.	unsigned short	2 bytes	W	Get			
		0-0xFFFFD (0-65533)							
Heater mode	0xE7	Indicates ON/OFF status of showcases with heater for hot function. *1	unsigned char	1 byte	-	Get	○		Note 1
		0x30 (ON), 0x31 (OFF)							
Type of lighting inside the showcase	0xEB	Indicates type of lighting installed inside the showcase.	unsigned char	1 byte	-	Get			

		Fluorescent lights = 0x41, LED = 0x42, no lighting = 0x43, other = 0x40							
Type of lighting outside the case	0xEC	Indicates type of lighting installed outside the showcase.	unsigned char	1 byte	-	Get			
		Fluorescent light = 0x41, LED = 0x42, no lighting = 0x43, other = 0x40							
Illuminance level setting of lighting inside the showcase	0xED	Indicates lighting level in % installed inside of the showcase.	unsigned char	1 byte	-	Set / Get			
		0x00-0x64 (0-100%)							
Illuminance level setting of lighting outside the case	0xEE	Indicates lighting level in % installed outside of the showcase.	unsigned char	1 byte	-	Set / Get			
		0x00-0x64 (0-100%)							
Temperature setting of inside the case	0xEF	Set temperature setting of inside the case and acquire the current setting.	signed char	1 byte	°C	Set / Get	○		
		0x81-0x7E (-127-126°C)							
Showcase type information	0xD0	This property indicates the type of the showcase.	unsigned char	1 byte	-	Get	○		
		Non-fluorocarbon inverter (CO2) = 0x41, inverter = 0x42, other = 0x40							
Door type information	0xD1	This property indicates the type of the showcase door.	unsigned char	1 byte	-	Get	○		
		Open = 0x41, closed = 0x42							
Showcase configuration information	0xD2	This property indicates refrigerator type, such as built-in or separate.	unsigned char	1 byte	-	Get	○		
		Separate type = 0x41, built-in type = 0x42							
Showcase shape information	0xD3	This property indicates the shape of the showcase.	unsigned char	1 byte	-	Get	○		
		Box type = 0x41, desktop type = 0x42, triple glass type = 0x43, quadruple (quintuple) glass type = 0x44, reach-in = 0x45, glass top type = 0x46, multistage open (ceiling blowoff type) = 0x47, multistage open (backside blowoff type) = 0x48, flat type = 0x49, walk-in type = 0x4A, other = 0x40							
Temperature range information for inside the case	0xD4	This property indicates the purpose of the showcase, either refrigeration or freezing.	unsigned char	1 byte	-	Get	○		
		Refrigeration = 0x41, freezing = 0x42							

Note: In the “Announcement at status change” column, ○ denotes mandatory processing when the property is implemented.

Note 1: Only required for showcases with hot function.

(1) Operation status (inherited from the device object super class property)

This property is used to set the commercial showcase to ON or OFF and to acquire the operation status. In the case of a node equipped with this class in which the functions specific to the commercial showcase start operating upon startup of the node, this property may be implemented with the value fixed at 0x30 (operation status ON).

(2) Operation mode setting

The Operation mode setting property indicates the showcase operating mode as a 1-byte value. Used to set cooling / non-cooling / defrosting / and others operating modes, and to acquire the setting status. “Other” modes are those not corresponding to any of the other operating modes. Property values 0x41/0x42/0x43/0x40 correspond to each of these operating modes in that order. As for the property values adopted, actual devices implementing this class need only implement property values that can be adopted as their functions. For example, if an actual device equipped with this class is not equipped with the draining function as one of its functions, there is no need to implement 0x43 for defrosting.

(3) Measured value of discharge temperature

The discharge temperature measurement property indicates the result of showcase discharge temperature (outlet temperature inside the showcase) measurement in units of 1°C. The property value range is 0x81-0x7D (-127-125°C). If the property values of actual devices exceed the property value range, the overflow code 0x7F shall be used. If the property values of actual devices are lower than the lower limit of the property value range, the underflow code 0x80 shall be used.

(4) Internal lighting operation status

The internal lighting operation status property is used to set the ON/OFF status of lighting installed inside the showcase and acquire the operation status.

(5) External lighting operation status

The external lighting operation status property is used to set the ON/OFF status of lighting installed outside the showcase and acquire the operation status.

(6) Compressor operation status

The compressor operation status property is used to set the ON/OFF status of the compressor and acquire the operation status if the main unit of the showcase has an inbuilt compressor. This property requires no response if the main unit of the showcase has no inbuilt compressor.

(7) Measured value of internal temperature

The internal temperature measurement property indicates the result of internal temperature measurement inside the showcase in units of 1°C. The property value range is 0x81-0x7D (-127-125°C). If the property values of actual devices exceed the property value range, the overflow code 0x7F shall be used. If the property values of actual devices are lower than the lower limit of the property value range, the

underflow code 0x80 shall be used.

(8) Freezing capability value

The freezing capability value property indicates the freezing capability of the showcase in units of 1W. The property value range is 0x0000-0xFFFFD (0-65533W). If the property values of actual devices exceed the property value range, the overflow code 0xFFFF shall be used.

(9) Defrosting heater power consumption

The defrosting heater power consumption property indicates the rated power consumption of the defrosting heater when the showcase is operating in defrosting mode. The property value range is set at 0x0000-0xFFFFD (0-65533W). If the property values of actual devices exceed the property value range, the overflow code 0xFFFF shall be used.

(10) Fan motor power consumption

The fan motor power consumption property indicates the value of rated power consumption when the showcase is operating, in units of 1W. The property value range is 0x0000-0xFFFFD (0-65533W). If the property values of actual devices exceed the property value range, the overflow code 0xFFFF shall be used.

(11) Heater mode

The heater mode property is used to acquire the ON/OFF status of heaters in showcases with hot function. When two modes (such as hot and cold) are used in different shelves of the same showcase, the operating mode property is cooling and this property is ON. When all shelves in a showcase are used hot, the operating mode property is non-cooling and this property is ON.

(12) Group information

Group information property values provide information to link showcases with external devices for showcases. Showcases and external devices for showcases with the same property values shall be connected using the same refrigerant piping. Note that the value shall be unique within identical ECHONET/ECHONET Lite domains.

(13) Showcase type information

This property indicates the type of showcase: non-fluorocarbon inverter, normal, or other.

(14) Door type information

This property indicates the type of showcase door: open-type or closed-type.

(15) Showcase configuration information

This property indicates the applicable showcase type: case with built-in freezer (freezer/refrigeration unit) or case with separate freezer (condensing unit).

(16) Type of lighting inside the showcase

This property indicates the type of lighting installed in the showcase; fluorescent lights = 0x41, LED = 0x42, no lighting = 0x43, other = 0x40.

(17) Type of lighting outside the case.

This property indicates the type of lighting installed outside of the showcase: fluorescent lights = 0x41, LED = 0x42, no lighting = 0x43, other = 0x40.

(18) Illuminance level setting of lighting inside the showcase

This property indicates the current lighting level in % installed inside of the showcase. Set lighting level and acquire the current setting. If the lighting level of the actual device is higher or lower than the % unit, the property of the actual device shall be assigned to the property value of % unit specified in this property.

(19) Illuminance level setting of lighting outside the case

This property indicates the current lighting level in % installed outside of the showcase. Set lighting level and acquire the current setting. If the lighting level of the actual device is higher or lower than the % unit, the property of the actual device shall be assigned to the property value of % unit specified in this property.

(20) Temperature setting of inside the case

Set temperature setting of inside the showcase and acquire the current setting. The property value range shall be 0x81 to 0x7E (-127 to 126°C). When the property value of the actual piece of equipment is higher than the upper limit of the property value range, the overflow code 0x7F shall be used. When the property value is lower than the lower limit of the property value range, the underflow code 0x80 shall be used. It is only required to implement the property values that are supported by the actual piece of equipment in which this class is implemented.

(21) Showcase shape information

Showcase type information indicates the showcase shape in 1 byte: box type, desktop type, desk type, triple glass type, quadruple (quintuple) glass type, reach-in type, glass top type, multistage open (ceiling blowoff type), multistage open (backside

blowoff type), flat type, walk-in type Those indicated as “other” have shapes that not fall into any of these types. Property values 0x41/0x42/0x43/0x44/0x45/0x46/0x47/0x48/0x49/0x4A/0x40 shall correspond to each of these shape in that order.

(22) Temperature range information for inside the case

Temperature range information for inside of the case indicates a showcase temperature range in 1 byte: refrigeration or freezing Property values 0x41/0x42 correspond to each temperature range in that order.

3. 4. 8 Requirements for clothes dryer class

Class group code : 0x03

Class code : 0xC6

Instance code : 0x01- 0x7F (0x00: All-instance specification code)

Property name	EPC	Contents of property	Data type	Data size	Unit	Access rule	Mandatory	Announcement at status change	Remark
		Value range (decimal notation)							
Operation status	0x80	This property indicates the ON/OFF status.	unsigned char	1 byte	—	Set		○	
		ON=0x30, OFF=0x31				Get			
Door/cover open/close status	0xB0	This property indicates the status of the door or cover as to whether it is open or closed.	unsigned char	1 byte	—	Get			
		Door/cover open = 0x41 Door/cover closed = 0x42							
Drying setting	0xB2	Drying setting	unsigned char	1 byte	—	Set/Get			
		Start/restart drying=0x41, Suspend drying=0x42, Stop drying=0x43							
Drying status	0xE1	Drying status	unsigned char	1 byte	—	Get			
		Drying in progress=0x41 Drying suspended=0x42 Drying completed/stopped=0x43							
Remaining drying time	0xE6	This property indicates the remaining drying time in the “HH:MM:SS” format.	unsigned char × 3	3 bytes	—	Get			
		0-0x17: 0-0x3B : 0-0x3B (=0-23):(=0-59):(=0-59)							
ON timer reservation setting	0x90	Reservation ON/OFF	unsigned char	1 byte	—	Set/Get			
		Reservation ON=0x41 Reservation OFF=0x42							
ON timer setting	0x91	Timer value HH:MM	unsigned char × 2	2 bytes	—	Set/Get			
		0-0x17: 0-0x3B (=0-23):(=0-59)							
Relative time-based ON timer setting	0x92	Timer value HH:MM	unsigned char × 2	2 bytes	—	Set/Get			
		0-0x17: 0-0x3B (=0-23):(=0-59)							

Note: In the “Announcement at status change” column, ○ denotes mandatory processing when the property is implemented.

(1) Operation status (a property inherited from the device object super class)

This property indicates whether the clothes dryer is in the ON state (i.e. the clothes dryer responds to user operation) or OFF state. 0x30 and 0x31 shall be used for the ON and OFF states, respectively. In cases where the clothes dryer belongs to a node

in which the “clothes dryer” class is implemented and the clothes dryer is ready to respond to user operation as soon as the node starts up, 0x30 may be implemented as the fixed value.

(2) Door/cover open/close status

This property indicates whether the door or cover of the clothes dryer is open or closed.

0x41 shall be used for the “open” state and 0x42 shall be used for the “closed” state.

(3) Drying setting

Specifies what the clothes dryer is instructed to do (start/restart drying=0x41, suspend drying=0x42, stop drying=0x43).

(4) Drying status

This property indicates the status of the clothes dryer’s drying operation (drying in progress=0x41, drying suspended=0x42, drying completed/stopped=0x43).

(5) Remaining drying time

This property indicates the remaining drying time in the “hour (0x00-0x17(0-23)): minute (0x00-0x3B (0-59)): second (0x00-0x3B (0-59))” format, with the higher-order, intermediate-order and lower-order bytes used for the “hour,” “minute” and “second” values, respectively.

(6) ON timer reservation setting

Specifies whether the reservation function for drying operation is ON or OFF. This property shall be related to the “ON timer setting” or “Relative time-based ON timer setting” property. The property value for “reservation function ON” shall be 0x41 and the property value for “reservation function OFF” shall be 0x42.

(7) ON timer setting

This property indicates, when the setting of the “ON timer reservation setting” property is “ON,” the time at which the setting of the “Drying setting” property becomes “start drying” or the setting of the “Drying status” property becomes “drying completed .” The “hour (0x00 to 0x17 (0 to 23)) : minute (0x00 to 0x3B (0 to 59))” format shall be used, with the higher- and lower-order bytes used for the “hour” and “minute” values, respectively.

(8) Relative time-based ON timer setting

When the setting of the “ON timer reservation setting” property is “ON,” this

property indicates, in terms of a relative time (“hour (0x00 to 0x17 (0 to 23)) : minute (0x00 to 0x3B (0 to 59))” format) relative to the current time, the time at which the setting of the “Drying setting” property becomes “start drying” or the setting of the “Drying status” property becomes “drying completed. The higher- and lower-order bytes shall be used for the “hour” and “minute” values, respectively.

3. 4. 9 Requirements for washer and dryer class

Class group code : 0x03

Class code : 0xD3

Instance code : 0x01–0x7F (0x00 = All-instance specification code)

Property name	EPC	Contents of property	Data type	Data size	Unit	Access rule	Mandatory	Announcement at status change	Remark
		Value range (decimal notation)							
Operation status	0x80	This property indicates the ON/OFF status.	unsigned char	1 byte	—	Set		○	
		ON=0x30, OFF=0x31				Get			
Door/cover open/close status	0xB0	Used to acquire the status of the door/cover (i.e. open or closed).	unsigned char	1 byte	—	Get			
		Door/cover open = 0x41 Door/cover closed = 0x42							
Washer and dryer setting	0xB2	Used to specify whether to start or stop the washing, drying or washing and drying cycle, and to acquire the current status.	unsigned char	1 byte	—	Set/Get			
		Start/restart(ed) or in progress = 0x41 Suspend(ed) = 0x42 Stop(ped) = 0x43							
Washer and dryer cycle setting 1	0xD0	Used to specify the washer and dryer cycle option(s) to use in the “washing and drying,” “washing” or “drying” mode and to acquire the current setting(s). The value ranges shall be as follows: Washing and drying course: 0x21–0x3F Washing and drying course maker original code: 0x40–0x4F Washing course: 0x61–0x7F Washing course maker original code: 0x80–0x8F Drying course: 0xA1–0xBF Drying course maker original code: 0xC0–0xDF	unsigned char	1 byte	—	Set/Get			Note 1 Note 2

		<p><Washing and drying course> Standard = 0x21, silent = 0x22, heavily soiled clothes = 0x23, hard-to-remove stains = 0x24, presoaking = 0x25, blankets = 0x26, soft = 0x27, dry = 0x28, clean rinsing = 0x29, ironing/business shirts = 0x2A, hang drying = 0x2B, thick clothes = 0x2C, disinfection = 0x2D, oil stains = 0x2E, memory = 0x2F, detergent saving = 0x30, lightly soiled clothes = 0x31, quick wash of small amount of laundry = 0x32 Washing course/maker original course = 0x40–0x4F</p> <p><Washing course> Standard = 0x61, silent = 0x62, heavily soiled clothes = 0x63, hard-to-remove stains = 0x64, presoaking = 0x65, blankets = 0x66, soft = 0x67, dry = 0x68, clean rinsing = 0x69, disinfection = 0x6A, oil stains = 0x6B, memory = 0x6C, detergent saving = 0x6D, lightly soiled clothes = 0x6E, quick wash of small amount of laundry = 0x6F, tank cleaning = 0x7F Washing course/maker original course = 0x80–0x8F</p> <p><Drying course> Standard = 0xA1, blankets = 0xA2, soft = 0xA3, dry = 0xA4, ironing/business shirts = 0xA5, hang drying = 0xA6, thick clothes = 0xA7, disinfection = 0xA8, shrinkage minimization = 0xA9, finishing = 0xAA, stationary drying = 0xAB, user definition of drying time = 0xAC, garment warming = 0xAD, tank drying = 0xBF Drying course/maker original course = 0xC0–0xCF</p>							
Washer and dryer cycle setting 2 ^(Note 1)	0xD1	<p>Used to specify the washer and dryer cycle option(s) to use in the “washing and drying” mode, and to acquire the current setting(s). The drying option(s) to use shall be specified with the “drying cycle setting” property (EPC = 0xD2).</p> <p>Maker original code = 0xE0–0xEF</p>	unsigned char	1 byte	—	Set/Get			Note 1 Note 2
	<p>No washing = 0x20, standard = 0x21, silent = 0x22, heavily soiled clothes = 0x23, hard-to-remove stains = 0x24, presoaking = 0x25, blankets = 0x26, soft = 0x27, dry = 0x28, clean rinsing = 0x29, disinfection = 0x2D, oil stains = 0x2E, memory = 0x2F, detergent saving = 0x30, lightly soiled clothes = 0x31, quick wash of small amount of laundry = 0x32, tank cleaning = 0x3F Maker original course = 0xE0–0xEF</p>								
Drying cycle setting ^(Note1)	0xD2	<p>Used to specify the drying cycle option(s) to use, and to acquire the current setting. For the “washing and drying” mode, the “washer and dryer cycle setting 2” property (EPC = 0xD1) shall be used.</p> <p>Maker original code = 0xE0 to 0xEF</p>	unsigned char	1 byte	—	Set/Get			Note 1 Note 2

		No drying = 0xA0, standard = 0xA1, blankets = 0xA2, soft = 0xA3, dry = 0xA4, ironing/business shirts = 0xA5, hang drying = 0xA6, thick clothes = 0xA7, disinfection = 0xA8, shrinkage minimization = 0xA9, finishing = 0xAA, stationary drying = 0xAB, user definition of drying time = 0xAC, garment warming = 0xAD, heater current limit = 0xAE, tank drying = 0xBF Maker original course = 0xE0 0xEF							
Washer and dryer cycle option list 1	0xD3	Used to acquire a bitmap list of the washer and dryer cycle options that can be specified with the “washer and dryer cycle setting 1” property. When the value contained in the bit for the desired washer and dryer cycle option is “1”, the option can be specified. When the value contained in the bit for the desired washer and dryer cycle option is “0”, the option cannot be specified. For the requirement as to which bit must be used for which option, refer to the detailed explanation.	unsigned char × 12,	12 bytes	—	Get			
Washer and dryer cycle option list 2	0xD4	Used to acquire a bitmap list of the washer and dryer cycle options that can be specified with the “washer and dryer cycle setting 2” property. When the value contained in the bit for the desired washer and dryer cycle option is “1”, the option can be specified. When the value contained in the bit for the desired washer and dryer cycle option is “0”, the option cannot be specified. For the requirement as to which bit must be used for which option, refer to the detailed explanation.	unsigned char × 4,	4 bytes	—	Get			
Washer and dryer cycle option list 3	0xD5	Used to acquire a bitmap list of the drying cycle options that can be specified with the “drying cycle setting” property. When the value contained in the bit for the desired drying cycle option is “1”, the option can be specified. When the value contained in the bit for the desired drying cycle option is “0”, the option cannot be specified. For the requirement as to which bit must be used for which option, refer to the detailed explanation.	unsigned char × 4,	4 bytes	—	Get			
Water flow rate setting	0xD6	Used to specify the water flow rate by selecting a level from among the predefined levels and to acquire the current setting. <Absolute setting> 0x31–0x40 (16 levels) * 0x31 and 0x40 shall be used for the lowest and highest flow rates, respectively. <Relative setting relative to the automatic setting> - Automatic setting 0xFF - Relative setting in the positive direction 0xA0–0xA7: Levels 1–8 - Relative setting in the negative direction 0xC0–0xC7: Levels 1–8	unsigned char	1 byte	—	Set/Get			
“Rotation speed for spin drying”	0xD7	Used to specify the rotation speed for spin drying in r/min. and to acquire the current setting.	unsigned short	2 bytes	—	Set/Get			

setting		<Absolute setting> - 0x0000– 0x0FFF (0–4095 r/min.) <Relative setting relative to the automatic setting> - Automatic setting 0xFFFF - Relative setting in the positive direction 0xA000–0xA7FF (1–2048 r/min.) - Relative setting in the negative direction 0xC000–0xC7FF (1–2048r/min.)							
“Degree of drying” setting	0xD8	Used to specify the degree of drying to achieve by selecting a level from among the 16 predefined levels and to acquire the current setting. <Absolute setting> - 0x31–0x40 (16 levels) * 0x31 and 0x40 shall be used for the lowest and highest levels, respectively. <Relative setting relative to the automatic setting> - Automatic setting 0xFF - Relative setting in the positive direction 0xA0–0xA7: Levels 1–8 - Relative setting in the negative direction 0xC0–0xC7: Levels 1–8	unsigned char	1 byte	—	Set/Get			
Remaining washing time	0xDB	Acquires the remaining washing time in the “HH:MM” format. 0–0xFE : 0–0x3B (=0–254) hours : (=0–59) minutes Remaining time unknown=0xFF : 0xFF	unsigned char × 2	2 bytes	—	Get			
Remaining drying time	0xDC	Acquires the remaining drying time in the “HH:MM” format. 0–0xFE : 0–0x3B (=0–254) hours : (=0–59) minutes Remaining time unknown=0xFF : 0xFF	unsigned char × 2	2 bytes	—	Get			
Elapsed time on the ON timer	0xDF	Used to acquire the time elapsed on the ON timer after the ON timer was activated. 0–0xFF: 0–0x3B (= 0–255): (= 0–59)	unsigned char × 2	2 bytes	Hour minutes	Get			
Presoaking time setting	0xE1	Used to specify the duration of the presoaking process and to acquire the current setting. <Absolute setting> - 0x00–0x17: 0x00–0x3B (= 0–23 hours): (= 0–59 minutes) <Relative setting relative to the automatic setting> - Automatic setting 0xFF: 0xFF - Relative setting in the positive direction 0xA000–0xA03B: 1–60 minutes - Relative setting in the negative direction 0xC000–0xC03B: 1–60 minutes	unsigned char × 2	2 bytes	h,mi n	Set/Get			

Current stage of washer and dryer cycle	0xE2	<p>Used to acquire the current stage of the washer and dryer cycle.</p> <p>Washing = 0x41 Rinsing = 0x42 Spin drying = 0x43 Suspended = 0x44 Washing completed = 0x45 Washing/drying (without wrinkling minimization) completed = 0x51 Drying = 0x52 Wrinkling minimization = 0x53 Drying (with wrinkling minimization) completed = 0x54 Standing by to start = 0x61 1st rinsing = 0x71 2nd rinsing = 0x72 3rd rinsing = 0x73 4th rinsing = 0x74 5th rinsing = 0x75 6th rinsing = 0x76 7th rinsing = 0x77 8th rinsing = 0x78 1st spin drying = 0x81 2nd spin drying = 0x82 3rd spin drying = 0x83 4th spin drying = 0x84 5th spin drying = 0x85 6th spin drying = 0x86 7th spin drying = 0x87 8th spin drying = 0x88 Preheat spin drying = 0x91 Unique code defined by the manufacture = 0xE0-0xEF</p>	unsigned char	1 byte	-	Get			Note 2
Water volume setting 1	0xE3	<p>Used to specify the water volume in liters and to acquire the current setting.</p> <p><Absolute setting> - 0x00-0x7F (0-127 liters) < Relative setting relative to the automatic setting > - Automatic setting 0xFF - Relative setting in the positive direction 0xA0-0xBF: 1-32 liters - Relative setting in the negative direction 0xC0-0xDF (1-32 liters)</p>	unsigned char	1 byte	liter	Set/Get			
Water volume setting 2	0xE4	Used to specify the water volume by selecting a level from among the predefined levels and to acquire the current setting.	unsigned	1 byte	—	Set/Get			

		<p><Absolute setting> - 0x31–0x40 (16 levels) - 0x31 and 0x40 shall be used for the lowest and highest water levels, respectively. < Relative setting relative to the automatic setting > > - Automatic setting 0xFF - Relative setting in the positive direction 0xA0–0xA7: Levels 1–8 - Relative setting in the negative direction 0xC0–0xC7: Levels 1– 8</p>	char						
Washing time setting	0xE5	Used to specify the duration of the washing process and to acquire the current setting.	unsigned char × 2	2 bytes	h, min	Set/Get			
		<p><Absolute setting> - 0x00–0x17: 0x00–0x3B (= 0–23 hours): (= 0–59 minutes) < Relative setting relative to the automatic setting > > - Automatic setting 0xFFFF - Relative setting in the positive direction 0xA000–0xA03B: 1–60 minutes Relative setting in the negative direction - 0xC000–0xC03B: 1–60 minutes</p>							
“Number of times of rinsing” setting	0xE6	Used to specify the number of times of rinsing and to acquire the current setting.	unsigned char	1 byte	—	Set/Get			
		<p>0–8 times (0x00–0x08) Automatic = 0xFF</p>							
Rinsing process setting	0xE7	Used to specify the rinsing process(es) to use by means of a bitmap, and to acquire the current setting. Four bits are used to represent each rinsing process as follows: Bits 0 through bit 3: 1st rinsing Bits 4 through bit 7: 2nd rinsing Bits 8 through bit 11: 3rd rinsing Bits 12 through bit 15: 4th rinsing Bits 16 through bit 19: 5th rinsing Bits 20 through bit 23: 6th rinsing Bits 24 through bit 27: 7th rinsing Bits 28 through bit 31: 8th rinsing	unsigned char × 4	4 bytes	—	Set/Get			
		<p>0000: Automatic mode 0001: Rinsing without additional feeding of water from the tap 0010: Rinsing with additional feeding of water from the tap 0011: Shower rinsing</p>							
Spin drying time setting	0xE8	Used to specify the duration of the spin drying process in minutes and to acquire the current setting.	unsigned	1 byte	min	Set/Get			

		<Absolute setting> - 0x00-0x3B (0-59 minutes) < Relative setting relative to the automatic setting > - Automatic setting 0xFF - Relative setting in the positive direction 0xA0-0xBF: 1-32 minutes - Relative setting in the negative direction 0xC0-0xDF: 1-32 minute	char						
Drying time setting	0xE9	Used to specify the duration of the drying process and to acquire the current setting.	unsigned char × 2	2 bytes	h,mi n	Set/Get			
		<Absolute setting> - 0x00-0x17: 0x00-0x3B (= 0-23 hours): (= 0-59 minutes) < Relative setting relative to the automatic setting > - Automatic setting 0xFF: 0xFF - Relative setting in the positive direction 0xA000-0xA03B: 1-60 minutes - Relative setting in the negative direction 0xC000-0xC03B: 1-60 minutes							
Warm water setting	0xEA	Used to specify the temperature of laundry water in °C and to acquire the current setting.	unsigned char	1 byte	°C	Set/Get			
		0-100°C (0x00-0x64) Not to use warm water = 0xFE Automatic water temperature setting = 0xFF							
Bathtub water recycle setting	0xEB	Used to specify whether or not, and when, to recycle used bathtub water, and acquire the current setting.	unsigned char	1 byte	—	Set/Get			
		Bathtub water not used : 0x40 Washing only : 0x41 Rinsing only (excluding the final rinsing) : 0x42 All rinsing processes : 0x43 Washing + rinsing (excluding the final rinsing) : 0x44 Washing + all rinsing processes : 0x45							
Wrinkling minimization setting	0xEC	Used to specify whether or not to use the wrinkling minimization function, and to acquire the current setting.	unsigned char	1 byte	—	Set/Get			
		Wrinkling minimization function ON : 0x41 Wrinkling minimization function OFF : 0x42							
Time remaining to complete washer and dryer cycle	0xED	Used to acquire the time remaining to complete the current washer and dryer cycle in the "HH:MM" format.	unsigned char × 2	2 bytes	—	Get			
		0-0xFE: 0-0x3B (= 0-254 hours): (= 0-59 minutes) Remaining time unknown = 0xFF: 0xFF							
Door/cover lock setting	0xEE	Used to specify the state of the door/cover lock during operation and to acquire the current setting.	unsigned	1 byte	—	Set/Get			

		Locked: 0x41 Unlocked: 0x42	char						
Washer and dryer cycle	0xEF	Used to acquire the current washer and dryer cycle setting. Bytes 1 and 2: This property indicates the available items in a bitmap format. Byte 3: Presoaking With presoaking: 0x41 Without presoaking: 0x42 Bytes 4 and 5: Washing time The value of the "washing time setting" property shall be referenced. Byte 6: Number of times of rinsing The value of the "number of times of rinsing setting" property shall be referenced. Bytes 7 through 10: Rinsing process The value of the "rinsing process setting" property shall be referenced. Byte 11: Spin drying time The value of the "spin drying time setting" property shall be referenced. Bytes 12 and 13: Drying time The value of the "drying time setting" property shall be referenced. Byte 14: Warm water setting The value of the "warm water setting" property shall be referenced. Byte 15: Water volume setting 1 The value of the "water volume setting 1" property shall be referenced. Byte 16: Water volume setting 2 The value of the "water volume setting 2" property shall be referenced. Byte 17: Bathtub water recycle setting The value of the "bathtub water recycle setting" property shall be referenced. Byte 18: Water flow rate setting The value of the "water flow rate setting" property shall be referenced. Bytes 19 and 20: "Rotation speed for spin drying" setting The value of the "rotation speed for spin drying setting" property shall be referenced. Byte 21: "Degree of drying" setting The value of the "degree of drying setting" property shall be referenced. Bytes 22 and 23: Presoaking time setting The value of the "presoaking time setting" property shall be referenced. Byte 24: Wrinkling minimization setting The value of the "wrinkling minimization setting" property shall be referenced.	unsigned Char × 24	24 bytes	—	Get			
ON timer reservation setting	0x90	Used to specify whether or not to use the ON timer-based reservation function, and to acquire the current setting. Reservation ON = 0x41, reservation OFF = 0x42	unsigned char	1 byte	—	Set/Get			
ON timer setting	0x91	Used to specify the time for the time-based reservation function of the ON timer and to acquire the current setting. 0-0x17: 0-0x3B (= 0-23): (= 0-59)	unsigned char × 2	2 bytes	—	Set/Get			

Relative time-based ON timer setting	0x92	Used to specify the relative time for the relative time-based reservation function of the ON timer and to acquire the time remaining for the current reservation.	unsigned char × 2	2 bytes	—	Set/Get				
		0-0xFF: 0-0x3B (= 0-255); (= 0-59)								

Note: In the “Announcement at status change” column, ○ denotes mandatory processing when the property is implemented.

Note 1: The washer and dryer cycle shall be specified either by the “washer and dryer cycle setting 1” property (EPC = 0xD0) or by the “washer and dryer cycle setting 2” property (EPC = 0xD1) combined with the “drying cycle setting” property (EPC = 0xD2). Either the “washer and dryer cycle setting 1” property or the “washer and dryer cycle setting 2” and “drying cycle setting” properties shall be implemented in the actual piece of equipment (the alternative shall not be implemented).

The following properties may be used to make changes or additions to the washer and dryer cycle options specified with the “washer and dryer cycle setting 1” property or with the “washer and dryer cycle setting 2” and “drying cycle setting” properties:

- Presoaking time setting (EPC = 0xE1)
- Water volume setting 1 (EPC = 0xE3)
- Water volume setting 2 (EPC = 0xE4)
- Washing time setting (EPC = 0xE5)
- “Number of times of rinsing” setting (EPC = 0xE6)
- Rinsing process setting (EPC = 0xE7)
- Spin drying time setting (EPC = 0xE8)
- Drying time setting (EPC = 0xE9)
- Warm water setting (EPC = 0xEA)
- Bathtub water recycle setting (EPC = 0xEB)
- Wrinkling minimization setting (EPC = 0xEC)
- Water flow rate setting (EPC = 0xD6)
- “Rotation speed for spin drying” setting (EPC = 0xD7)
- “Degree of drying” setting (EPC = 0xD8)

Note 2: Maker original code shall be used for the property which is not defined as the property of the ECHONET object specification.

The code in the maker original code shall be set by the individual maker and add/delete/modify of the code shall be done by the individual maker.

The contents set as the maker original code can be open or not to the public by the individual maker.

(1) Operation status (inherited from the device object super class property)

This property indicates whether the washer and dryer are in the ON state (i.e. the washer and dryer respond to user operation) or OFF state. 0x30 and 0x31 shall be used for the ON and OFF states, respectively. In cases where the washer and dryer belong to a node in which the “washer and dryer” class is implemented and the washer and dryer are ready to respond to user operation as soon as the node starts up, 0x30 may be implemented as the fixed value.

(2) Door/cover open/close status

Door/cover open/close status property specifies the status (i.e. open or closed) of the door/cover. 0x41 shall be used for the “open” state and 0x42 shall be used for the “closed” state.

(3) Washer and dryer setting

Washer and dryer setting property specifies whether to start, stop or suspend the washer and dryer cycle, and to acquire the current operation status. 0x41 shall be used for the “start/restart(ed)” option/state and 0x42 and 0x43 shall be used for “suspend(ed)” and “stop(ped)” options/states, respectively. The relationship between the values of this property (Get) and the values of the “current stage of washer and dryer cycle” property (Get) (EPC = 0xE2) are as shown in the table below.

“Washer and dryer setting” property	“Current stage of washer and dryer cycle” property (EPC = 0xE2)
0x41: Washer and dryer cycle in progress	Other than below
0x42: Washer and dryer cycle suspended	0x44: Suspended
0x43: Washer and dryer cycle stopped	0x45: Washing completed 0x51: Washing completed/drying (without wrinkling minimization) completed 0x54: Drying (with wrinkling minimization) completed 0x61: Standing by to start

(4) Washer and dryer cycle setting 1

Washer and dryer cycle setting 1 property specifies the washer and dryer cycle option(s) to use in the “washing and drying” (washing followed by drying), “washing” (washing only) or “drying” (drying only) mode, and to acquire the current setting(s). The value ranges for the “washing and drying,” “washing” and “drying” modes shall be 0x21 to 0x3F, 0x61 to 0x7F and 0xA1 to 0xBF, respectively. It is only required to implement the property values that correspond to the functions provided by the actual piece of equipment in which this class is implemented. The possible washer and dryer cycle options are explained below for each of the 3 modes.

<Washing and drying>

[1] Standard (0x21)

The most basic washing and drying cycle of the piece of equipment.

[2] Silent (0x22)

A washing and drying cycle focused on washing and drying clothes at an operation noise level that is lower than that of the “standard” option.

[3] Heavily soiled clothes (0x23)

A washing and drying cycle focused on removing stains from heavily soiled clothes. In cases where two different cycles of this type are available for different levels of soiling, this cycle shall be defined as the one for relatively lightly soiled clothes.

[4] Hard-to-remove stains (0x24)

A washing and drying cycle focused on removing stains from heavily soiled clothes. In cases where two different cycles of this type are available for different levels of soiling, this cycle shall be defined as the one for relatively heavily soiled clothes. In cases where only one cycle is available for heavily soiled clothes, it must not be defined as the “hard-to-remove stains” (0x24) option.

[5] Presoaking (0x25)

A washing and drying cycle that includes a presoaking process performed before the washing process.

[6] Blankets (0x26)

A washing and drying cycle focused on washing blankets.

[7] Soft (0x27)

A washing and drying cycle focused on washing delicate clothes (e.g. those that easily lose shape).

[8] Dry (0x28)

A washing and drying cycle focused on washing clothes with a dry-cleaning symbol or delicate clothes (e.g. those that easily lose shape).

[9] Clean rinsing (0x29)

A washing and drying cycle focused on thorough rinsing.

[10] Ironing/business shirts (0x2A)

A washing and drying cycle that leaves the laundry slightly damp to facilitate ironing.

[11] Hang drying (0x2B)

A washing and drying cycle that leaves the laundry slightly damp to allow for hang drying.

[12] Thick clothes (0x2C)

A washing and drying cycle focused on drying clothes that do not dry easily.

[13] Disinfection (0x2D)

A washing and drying cycle focused on removing bacteria.

[14] Oil stains (0x2E)

A washing and drying cycle focused on removing oil stains.

[15] Memory (0x2F)

A washing and drying cycle option to perform a washing and drying cycle that has been input into the memory by the user.

[16] Detergent saving (0x30)

A washing and drying cycle focused on saving detergent.

[17] Lightly soiled clothes (0x31)

A washing and drying cycle focused on quickly washing lightly soiled clothes.

[18] Quick wash of small amount of laundry (0x32)

A washing and drying cycle focused on washing a small amount of laundry quickly.

[19] Washing and drying setting/maker original course (0x40 to 0x4F)

A washing and drying process defined by the maker

<Washing>

[1] Standard (0x61)

The most basic washing cycle of the piece of equipment.

[2] Silent (0x62)

A washing cycle focused on washing clothes at an operation noise level that is lower than that of the “standard” cycle.

[3] Heavily soiled clothes (0x63)

A washing cycle focused on removing stains from heavily soiled clothes. In cases where two different cycles of this type are available for different levels of soiling, this cycle shall be defined as the one for relatively lightly soiled clothes.

[4] Hard-to-remove stains (0x64)

A washing cycle focused on removing stains from heavily soiled clothes. In cases where two different cycles of this type are available for different levels of soiling, this cycle shall be defined as the one for relatively heavily soiled clothes. In cases where only one cycle is available for heavily soiled clothes, it must not be defined as the “hard-to-remove stains” (0x64) option.

[5] Presoaking (0x65)

A washing cycle that includes a presoaking process performed before the washing process.

[6] Blankets (0x66)

A washing cycle focused on washing blankets.

[7] Soft (0x67)

A washing cycle focused on washing delicate clothes (e.g. those that easily lose shape).

- [8] Dry (0x68)
A washing cycle focused on washing clothes with a dry-cleaning symbol or delicate clothes (e.g. those that easily lose shape).
- [9] Clean rinsing (0x69)
A washing cycle focused on thorough rinsing.
- [10] Disinfection (0x6A)
A washing cycle focused on removing bacteria.
- [11] Oil stains (0x6B)
A washing cycle focused on removing oil stains.
- [12] Memory (0x6C)
A washing cycle option to perform a washing cycle that has been input into the memory by the user.
- [13] Detergent saving (0x6D)
A washing cycle focused on saving detergent.
- [14] Lightly soiled clothes (0x6E)
A washing cycle focused on quickly washing lightly soiled clothes.
- [15] Quick wash of small amount of laundry (0x6F)
A washing cycle focused on washing a small amount of laundry quickly.
- [16] Tank cleaning (0x7F)
A cycle used to clean the tank.
- [17] Washing setting/maker original course (0x80 to 0x8F)
A washing process defined by the maker

<Drying>

- [1] Standard (0xA1)
The most basic drying cycle of the piece of equipment.
- [2] Blankets (0xA2)
A drying cycle focused on drying blankets.
- [3] Soft (0xA3)
A drying cycle focused on drying delicate clothes (e.g. those that easily lose shape).
- [4] Dry (0xA4)
A drying cycle focused on drying clothes with a dry-cleaning symbol or delicate clothes (e.g. those that easily lose shape).
- [5] Ironing/business shirts (0xA5)
A drying cycle that leaves the laundry slightly damp to facilitate ironing.
- [6] Hang drying (0xA6)
A drying cycle that leaves the laundry slightly damp to allow for hang drying.

- [7] Thick clothes (0xA7)
A drying cycle focused on drying clothes that do not dry easily.
- [8] Disinfection (0xA8)
A drying cycle focused on removing bacteria.
- [9] Shrinkage minimization (0xA9)
A drying cycle focused on minimizing shrinkage of clothes.
- [10] Finishing (0xAA)
A drying cycle focused on drying partly dried laundry.
- [11] Stationary drying (0xAB)
A drying cycle that dries the laundry without rotating the drum or tank.
- [12] User definition of drying time (0xAC)
A drying cycle option that allows the user to specify the duration of the drying cycle.
- [13] Garment warming (0xAD)
A drying cycle used to warm garments.
- [14] Tank drying (0xBF)
A cycle used to dry the tank.
- [15] Drying setting/maker original course (0xC0 to 0xCF)
A drying process defined by the maker.

(5) Washer and dryer cycle setting 2

Washer and dryer cycle setting 2 property specifies the washer and dryer cycle option(s) to use in the “washing and drying” (washing followed by drying) mode, and to acquire the current setting(s). This property is used in combination with the “drying cycle setting” property (EPC = 0xD2), which is used to specify the drying cycle option(s) to use in combination with the washer and dryer cycle options specified with this property. It is only required to implement the property values that correspond to the functions provided by the actual piece of equipment in which this class is implemented.

- [1] No washing (0x20)
A cycle with no washing process.
- [2] Standard (0x21)
The most basic washing and drying cycle of the piece of equipment.
- [3] Silent (0x22)
A washing and drying cycle focused on washing and drying clothes at an operation noise level that is lower than that of the “standard” cycle.
- [4] Heavily soiled clothes (0x23)
A washing and drying cycle focused on removing stains from heavily soiled

clothes. In cases where two different cycles of this type are available for different levels of soiling, this cycle shall be defined as the one for relatively lightly soiled clothes.

[5] Hard-to-remove stains (0x24)

A washing and drying cycle focused on removing stains from heavily soiled clothes. In cases where two different cycles of this type are available for different levels of soiling, this cycle shall be defined as the one for relatively heavily soiled clothes. In cases where there is only one cycle for heavily soiled clothes, it must not be defined as the “hard-to-remove stains” (0x24) option.

[6] Presoaking (0x25)

A washing and drying cycle that includes a presoaking process performed before the washing process.

[7] Blankets (0x26)

A washing and drying cycle focused on washing blankets.

[8] Soft (0x27)

A washing and drying cycle focused on washing delicate clothes (e.g. those that easily lose shape).

[9] Dry (0x28)

A washing and drying cycle focused on washing clothes with a dry-cleaning symbol as well as delicate clothes (e.g. those that easily lose shape).

[10] Clean rinsing (0x29)

A washing and drying cycle focused on thorough rinsing.

[11] Disinfection (0x2D)

A washing and drying cycle focused on removing bacteria.

[12] Oil stains (0x2E)

A washing and drying cycle focused on removing oil stains.

[13] Memory (0x2F)

A washing and drying cycle option to perform a washing cycle that has been input into the memory by the user.

[14] Detergent saving (0x30)

A washing and drying cycle focused on saving detergent.

[15] Lightly soiled clothes (0x31)

A washing and drying cycle focused on washing lightly soiled clothes quickly.

[16] Quick wash of small amount of laundry (0x32)

A washing and drying cycle focused on washing a small amount of laundry quickly.

[17] Tank cleaning (0x3F)

A cycle used to clean the tank.

[18] Maker original course (0xE0 to 0xEF)

A washing and drying process defined by the maker.

(6) Drying cycle setting

Used to specify the drying cycle option(s) to use, and to acquire the current setting. This property is used in combination with the “washer and dryer cycle setting 2” property (EPC = 0xD1), which is used to specify the washer and dryer cycle (washing) option(s) to use in combination with the drying cycle option(s) specified with this property.

It is only required to implement the property values that correspond to the functions provided by the actual piece of equipment in which this class is implemented.

[1] No drying (0xA0)

A cycle with no drying process.

[2] Standard (0xA1)

The most basic drying cycle of the piece of equipment.

[3] Blankets (0xA2)

A drying cycle focused on drying blankets.

[4] Soft (0xA3)

A drying cycle focused on drying delicate clothes (e.g. those that easily lose shape).

[5] Dry (0xA4)

A drying cycle focused on drying clothes with a dry-cleaning symbol as well as delicate clothes (e.g. those that easily lose shape).

[6] Ironing/business shirts (0xA5)

A drying cycle that leaves the laundry slightly damp to facilitate ironing.

[7] Hang drying (0xA6)

A drying cycle that leaves the laundry slightly damp to allow for hang drying.

[8] Thick clothes (0xA7)

A drying cycle focused on drying clothes that do not dry easily.

[9] Disinfection (0xA8)

A drying cycle focused on removing bacteria.

[10] Shrinkage minimization (0xA9)

A drying cycle focused on minimizing shrinkage of clothes.

[11] Finishing (0xAA)

A drying cycle focused on drying partly dried laundry.

[12] Stationary drying (0xAB)

A drying cycle that dries the laundry without rotating the drum or tank.

[13] User definition of drying time (0xAC)

A drying cycle option that allows the user to specify the duration of the drying cycle.

[14] Garment warming (0xAD)

A cycle used to warm garments.

[15] Heater current limit (0xAE)

A drying cycle in which a limit is imposed on the amount of electric current supplied to the heater.

[16] Tank drying (0xBF)

A cycle used to dry the tank.

[17] Maker original course (0xE0 to 0xEF)

A drying process defined by the maker.

(7) Washer and dryer cycle option list 1

Washer and dryer cycle option list 1 property specifies a bitmap list of the washer and dryer cycle options that can be specified with the “washer and dryer cycle setting 1” property (0xD0) for the actual piece of equipment. If the value contained in a bit shown in the table below is “1”, it means that the option represented by that bit is available. If the value is “0”, it means that the option represented by that bit is not available.

	b7	b6	b5	b4	b3	b2	b1	b0
First byte	0x27	0x26	0x25	0x24	0x23	0x22	0x21	0x20
Second byte	0x2F	0x2E	0x2D	0x2C	0x2B	0x2A	0x29	0x28
Third byte	0x37	0x36	0x35	0x34	0x33	0x32	0x31	0x30
Fourth byte	0x3F	0x3E	0x3D	0x3C	0x3B	0x3A	0x39	0x38
Fifth byte	0x67	0x66	0x65	0x64	0x63	0x62	0x61	0x60
Sixth byte	0x6F	0x6E	0x6D	0x6C	0x6B	0x6A	0x69	0x68
Seventh byte	0x77	0x76	0x75	0x74	0x73	0x72	0x71	0x70
Eighth byte	0x7F	0x7E	0x7D	0x7C	0x7B	0x7A	0x79	0x78
Ninth byte	0xA7	0xA6	0xA5	0xA4	0xA3	0xA2	0xA1	0xA0
Tenth byte	0xAF	0xAE	0xAD	0xAC	0xAB	0xAA	0xA9	0xA8
Eleventh byte	0xB7	0xB6	0xB5	0xB4	0xB3	0xB2	0xB1	0xB0
Twelfth byte	0xBF	0xBE	0xBD	0xBC	0xBB	0xAB	0xB9	0xB8

(8) Washer and dryer cycle option list 2

Washer and dryer cycle option list 2 property specifies a bitmap list of the washer and dryer cycle options that can be specified with the “washer and dryer cycle setting 2” property (0xD1) for the actual piece of equipment. If the value contained

in a bit shown in the table below is “1”, it means that the option represented by that bit is available. If the value “0”, it means that the option represented by that bit is not available.

	b7	b6	b5	b4	b3	b2	b1	b0
First byte	0x27	0x26	0x25	0x24	0x23	0x22	0x21	0x20
Second byte	0x2F	0x2E	0x2D	0x2C	0x2B	0x2A	0x29	0x28
Third byte	0x37	0x36	0x35	0x34	0x33	0x32	0x31	0x30
Fourth byte	0x3F	0x3E	0x3D	0x3C	0x3B	0x3A	0x39	0x38

(9) Washer and dryer cycle option list 3

Washer and dryer cycle option list 3 property specifies a bitmap list of the washer and dryer cycle options that can be specified with the “drying cycle setting” property (0xD2) for the actual piece of equipment. If the value contained in a bit shown in the table below is “1”, it means that the option represented by that bit is available. If the value is “0”, it means that the option represented by that bit is not available.

	b7	b6	b5	b4	b3	b2	b1	b0
First byte	0xA7	0xA6	0xA5	0xA4	0xA3	0xA2	0xA1	0xA0
Second byte	0xAF	0xAE	0xAD	0xAC	0xAB	0xAA	0xA9	0xA8
Third byte	0xB7	0xB6	0xB5	0xB4	0xB3	0xB2	0xB1	0xB0
Fourth byte	0xBF	0xBE	0xBD	0xBC	0xBB	0xBA	0xB9	0xB8

(10) Water flow rate setting

Water flow rate setting property specifies, by selecting a level from among the predefined levels, the water flow rate for the washer and dryer cycle option(s) specified with the “washer and dryer cycle setting 1” property (EPC = 0xD0) or with the “washer and dryer cycle setting 2” property (EPC = 0xD1) and the “drying cycle setting” property (EPC = 0xD2), and to acquire the current setting. Three water flow rate setting modes shall be available: “absolute setting,” “automatic setting” and “relative setting” (relative to the automatic setting). When the actual piece of equipment cannot operate at the level specified with this property, the water flow rate to be used shall be implementation-dependent.

<Absolute setting>

It must be possible to specify the water flow rate by selecting a level from among 16 levels in the 0x31 to 0x40 (lowest to highest) range and acquire the setting.

<Automatic setting; relative setting relative to the automatic setting>

0xFF shall be used for the “automatic setting” mode.

In relative setting in the positive direction, it must be possible to specify the water flow rate by selecting a level from among 8 levels (Level 1 to Level 8) in the 0xA0 to 0xA7 range. In relative setting in the negative direction, it must be possible to specify the water flow rate by selecting a level from among 8 levels (Level 1 to Level 8) in the 0xC0 to 0xC7 range.

(11) “Rotation speed for spin drying” setting

“Rotation speed for spin drying” setting property specifies the rotation speed for spin drying (in r/min.) for the washer and dryer cycle option(s) specified with the “washer and dryer cycle setting 1” property (EPC = 0xD0) or with the “washer and dryer cycle setting 2” property (EPC = 0xD1) and the “drying cycle setting” property (EPC = 0xD2), and to acquire the current setting. Three rotation speed setting modes shall be available: “absolute setting,” “automatic setting” and “relative setting” (relative to the automatic setting). When the actual piece of equipment cannot operate at the speed specified with this property, the rotation speed to be used shall be implementation-dependent.

<Absolute setting>

It must be possible to specify the rotation speed in the 0x0000 to 0x0FFF (0 to 4095 r/min.) range and acquire the setting.

<Automatic setting; relative setting relative to the automatic setting>

0xFFFF shall be used for the “automatic setting” mode.

In relative setting in the positive direction, it must be possible to specify the rotation speed in the 0xA000 to 0xA7FF (1 to 2048 r/min.) range. In relative setting in the negative direction, it must be possible to specify the rotation speed in the 0xC000 to 0xC7FF (1 to 2048 r/min.) range.

(12) “Degree of drying” setting

“Degree of drying” setting property specifies, by selecting a level from among the predefined levels, the degree of drying for the washer and dryer cycle option(s) specified with the “washer and dryer cycle setting 1” property (EPC = 0xD0) or with the “washer and dryer cycle setting 2” property (EPC = 0xD1) and the “drying cycle setting” property (EPC = 0xD2), and to acquire the current setting. Three drying level setting modes shall be available: “absolute setting,” “automatic setting” and “relative setting” (relative to the automatic setting). When the actual piece of equipment cannot achieve the level specified with this property, the drying level to be used shall be implementation-dependent.

<Absolute setting>

It must be possible to specify the degree of drying by selecting a level from among 16 levels in the 0x31 to 0x40 (lowest to highest) range and acquire the setting.

<Automatic setting; relative setting relative to the automatic setting>

0xFF shall be used for the “automatic setting” mode.

In relative setting in the positive direction, it must be possible to specify the degree of drying by selecting a level from among 8 levels (Level 1 to Level 8) in the 0xA0 to 0xA7 range. In relative setting in the negative direction, it must be possible to specify the degree of drying by selecting a level from among 8 levels (Level 1 to Level 8) in the 0xC0 to 0xC7 range.

(13) Remaining washing time

Acquires the remaining washing time in the “hour (0x00-0xFE (0-254)): minute (0x00-0x3B (0-59))” format. The higher- and lower-order bytes shall be used for the “hour” and “minute” values, respectively. When the remaining time cannot be displayed because it is unknown, this property shall be set to “0xFF : 0xFF.”

(14) Remaining drying time

Acquires the remaining drying time in the “hour (0x00-0xFE (0-254)): minute (0x00-0x3B (0-59))” format. The higher- and lower-order bytes shall be used for the “hour” and “minute” values, respectively. When the remaining time cannot be displayed because it is unknown, this property shall be set to “0xFF : 0xFF.”

(15) Elapsed time on the ON timer

When the “ON timer reservation setting” property contains the value for “reservation ON,” this property is used to acquire the time elapsed on the ON timer after the ON timer is activated. The data format shall be “hour (0x00 to 0xFF (0 to 255)): minute (0x00 to 0x3B (0 to 59)).”

(16) Presoaking time setting

Presoaking time setting property specifies the duration of the presoaking process for the washer and dryer cycle option(s) specified with the “washer and dryer cycle setting 1” property (EPC = 0xD0) or by the “washer and dryer cycle setting 2” property (EPC = 0xD1) and the “drying cycle setting” property (EPC = 0xD2), and to acquire the current setting. Three presoaking time setting modes shall be available: “absolute setting,” “automatic setting” and “relative setting” (relative to the automatic setting). It is only required to implement the property values that are supported by the actual piece of equipment in which this class is implemented.

<Absolute setting>

The higher- and lower-order bytes shall be used for the “hour” and “minute” values, respectively.

It must be possible to specify the presoaking time in the “0x00: 0x00 to 0x17: 0x3B (0 minutes to 23 hours and 59 minutes)” range and acquire the setting. When the specified time is 0 minutes, the presoaking process will not be performed.

<Automatic setting; relative setting relative to the automatic setting>

“0xFF: 0xFF” shall be used for the “automatic setting” mode.

In relative setting in the positive direction, it must be possible to specify the presoaking time in the 0xA000 to 0xA03B (1 to 60 minutes) range. In relative setting in the negative direction, it must be possible to specify the presoaking time in the 0xC000 to 0xC03B (1 to 60 minutes) range.

(17) Current stage of washer and dryer cycle

Current stage of washer and dryer cycle property specifies the current stage of the washer and dryer cycle. It must be possible to identify the following stages using the values shown:

Washing: 0x41

Rinsing: 0x42

Spin drying: 0x43

Suspended: 0x44

Washing completed: 0x45

Washing/drying (without wrinkling minimization) completed: 0x51

Drying: 0x52

Wrinkling minimization: 0x53

Drying (with wrinkling minimization) completed: 0x54

Standing by to start: 0x61

1st rinsing: 0x71

2nd rinsing: 0x72

3rd rinsing: 0x73

4th rinsing: 0x74

5th rinsing: 0x75

6th rinsing: 0x76

7th rinsing: 0x77

8th rinsing: 0x78

1st spin drying: 0x81

2nd spin drying: 0x82

3rd spin drying: 0x83

- 4th spin drying: 0x84
- 5th spin drying: 0x85
- 6th spin drying: 0x86
- 7th spin drying: 0x87
- 8th spin drying: 0x88
- Preheat spin drying: 0x91

In cases where it is possible to specify the number of times to repeat the rinsing process (i.e. 1st rinsing, 2nd rinsing, ...), values between 0x71 and 0x78 must be used. Otherwise, 0x42 shall be used. In cases where it is possible to specify the number of times to repeat the spin drying process (i.e. 1st spin drying, 2nd spin drying, ...), values between 0x81 and 0x88 must be used. Otherwise, 0x43 shall be used. In cases where a spin drying process is available in which warm air blows on the laundry while it is being dried, 0x91 shall be used for that spin drying process. The “standing by to start” stage shall include the “ON timer reservation ON” state. The relationship between the property values of this property (Get) and the property values of the “washer and dryer setting” property (Get)(EPC = 0xB2) are as shown in the table below.

“Current stage of washer and dryer cycle” property	“Washer and dryer setting” property (EPC = 0xB2)
Other than below	0x41: Washer and dryer cycle in progress
0x44: Suspended	0x42: Washer and dryer cycle suspended
0x45: Washing completed 0x51: Washing completed/drying (without wrinkling minimization) completed 0x54: Drying (with wrinkling minimization) completed 0x61: Standing by to start	0x43: Washer and dryer cycle stopped
0xE0-EF: Maker original code	Current washing and drying operation status at the washing and drying transition state defined by the individual maker

(18) Water volume setting 1

Water volume setting 1 property specifies the water volume (in liters) for the washer and dryer cycle option(s) specified with the “washer and dryer cycle setting 1” property (EPC = 0xD0) or by the “washer and dryer cycle setting 2” property (EPC = 0xD1) and the “drying cycle setting” property (EPC = 0xD2), and to acquire the current setting. Three water volume setting modes shall be available: “absolute setting,” “automatic setting” and “relative setting” (relative to the automatic setting). When the actual piece of equipment cannot handle the water volume specified with this property, the water volume to be used shall be implementation-dependent.

<Absolute setting>

It must be possible to specify the water volume in the 0x00 to 0x7F (0 to 127 liters) range and acquire the setting.

<Automatic setting; relative setting relative to the automatic setting>

“0xFF” shall be used for the “automatic setting” mode.

In relative setting in the positive direction, it must be possible to specify the water volume in the 0xA0 to 0xBF (1 to 32 liters) range. In relative setting in the negative direction, it must be possible to specify the water volume in the 0xC0 to 0xDF (1 to 32 liters) range.

In cases where both the “water volume setting 1” and “water volume setting 2” properties are implemented, the property values shall be correlated.

(19) Water volume setting 2

Water volume setting 2 property specifies the water volume for the washer and dryer cycle option(s) specified with the “washer and dryer cycle setting 1” property (EPC = 0xD0) or by the “washer and dryer cycle setting 2” property (EPC = 0xD1) and the “drying cycle setting” property (EPC = 0xD2), and to acquire the current setting. Three water volume setting modes shall be available: “absolute setting,” “automatic setting” and “relative setting” (relative to the automatic setting). When the actual piece of equipment cannot handle the water volume specified with this property, the level to be used shall be implementation-dependent. It is only required to implement the property values that are supported by the actual piece of equipment in which this class is implemented.

<Absolute setting>

It must be possible to specify the water volume by selecting a level from among 16 levels in the 0x31 to 0x40 (lowest to highest) range and acquire the setting.

<Automatic setting; relative setting relative to the automatic setting>

0xFF shall be used for the “automatic setting” mode.

In relative setting in the positive direction, it must be possible to specify the water volume by selecting a level from among 8 levels (Level 1 to Level 8) in the 0xA0 to 0xA7 range. In relative setting in the negative direction, it must be possible to specify the water volume by selecting a level from among 8 levels (Level 1 to Level 8) in the 0xC0 to 0xC7 range.

In cases where both the “water volume setting 1” and “water volume setting 2” properties are implemented, the property values for the “water volume setting 2” property shall be correlated with the property values for the “water volume setting 1” property.

(20) Washing time setting

Washing time setting property specifies the duration of the washing process for the washer and dryer cycle option(s) specified with the “washer and dryer cycle setting 1” property (EPC = 0xD0) or by the “washer and dryer cycle setting 2” property (EPC = 0xD1) and the “drying cycle setting” property (EPC = 0xD2), and to acquire the current setting. Three washing time setting modes shall be available: “absolute setting,” “automatic setting” and “relative setting” (relative to the automatic setting). It is only required to implement the property values that are supported by the actual piece of equipment in which this class is implemented.

<Absolute setting>

The higher- and lower-order bytes shall be used for the “hour” and “minute” values, respectively.

It must be possible to specify the washing time in the “0x00: 0x00 to 0x17: 0x3B (0 minutes to 23 hours and 59 minutes)” range and acquire the setting. When the specified time is 0 minutes, the washing process will not be performed.

<Automatic setting; relative setting relative to the automatic setting>

“0xFF: 0xFF” shall be used for the “automatic setting” mode.

In relative setting in the positive direction, it must be possible to specify the washing time in the 0xA000 to 0xA03B (1 to 60 minutes) range. In relative setting in the negative direction, it must be possible to specify the washing time in the 0xC000 to 0xC03B (1 to 60 minutes) range.

(21) Number of times of rinsing

Number of times of rinsing property specifies the number of times of rinsing for the washer and dryer cycle option(s) specified with the “washer and dryer cycle setting 1” property (EPC = 0xD0) or by the “washer and dryer cycle setting 2” property (EPC = 0xD1) and the “drying cycle setting” property (EPC = 0xD2), and to acquire the current setting. The number of times of rinsing shall be a number between 0 and 8. When 0 is selected, no rinsing will be performed. In cases where the number of times of rinsing is automatically determined by the actual piece of equipment, 0xFF shall be used as the property value. It is only required to implement the property values that are supported by the actual piece of equipment in which this class is implemented.

(22) Rinsing process setting

Rinsing process setting property specifies the rinsing process(es) to use for the washer and dryer cycle option(s) specified with the “washer and dryer cycle setting 1” property (EPC = 0xD0) or by the “washer and dryer cycle setting 2”

property (EPC = 0xD1) and the “drying cycle setting” property (EPC = 0xD2), and to acquire the current setting. Four bits shall be used for each rinsing process as specified below. It is only required to implement the property values that correspond to the rinsing processes supported by the actual piece of equipment in which this class is implemented.

Bits 0 through Bit 3: 1st rinsing

Bits 4 through Bit 7: 2nd rinsing

Bits 8 through Bit 11: 3rd rinsing

Bits 12 through Bit 15: 4th rinsing

Bits 16 through Bit 19: 5th rinsing

Bits 20 through Bit 23: 6th rinsing

Bits 24 through Bit 27: 7th rinsing

Bits 28 through Bit 31: 8th rinsing

Each set of bits shall contain one of the following values:

0000: No mode specified

0001: Rinsing without additional supply of water from the tap

0010: Rinsing with additional supply of water from the tap

0011: Shower rinsing

The MSB of the first byte shall be Bit 31 and the LSB of the fourth byte shall be Bit 0.

(23) Spin drying time setting

Spin drying time setting property specifies the duration of the spin drying process for the washer and dryer cycle option(s) specified with the “washer and dryer cycle setting 1” property (EPC = 0xD0) or by the “washer and dryer cycle setting 2” property (EPC = 0xD1) and the “drying cycle setting” property (EPC = 0xD2), and to acquire the current setting. Three spin drying time setting modes shall be available: “absolute setting,” “automatic setting” and “relative setting” (relative to the automatic setting). It is only required to implement the property values that are supported by the actual piece of equipment in which this class is implemented.

<Absolute setting>

It must be possible to specify the spin drying time in the 0x00 to 0x3B (0 to 59 minutes) range and acquire the setting.

<Automatic setting; relative setting relative to the automatic setting>

“0xFF” shall be used for the “automatic setting” mode.

In relative setting in the positive direction, it must be possible to specify the spin drying time in the 0xA0 to 0xBF (1 to 32 minutes) range. In relative setting in the negative direction, it must be possible to specify the spin drying time in the 0xC0

to 0xDF (1 to 32 minutes) range.

(24) Drying time setting

Drying time setting property specifies the duration of the drying process for the washer and dryer cycle option(s) specified with the “washer and dryer cycle setting 1” property (EPC = 0xD0) or by the “washer and dryer cycle setting 2” property (EPC = 0xD1) and the “drying cycle setting” property (EPC = 0xD2), and to acquire the current setting. Three drying time setting modes shall be available: “absolute setting,” “automatic setting” and “relative setting” (relative to the automatic setting). It is only required to implement the property values that are supported by the actual piece of equipment in which this class is implemented.

<Absolute setting>

The higher- and lower-order bytes shall be used for the “hour” and “minute” values, respectively.

It must be possible to specify the drying time in the “0x00: 0x00 to 0x17: 0x3B (0 minutes to 23 hours and 59 minutes)” range and acquire the setting. When the specified drying time is 0 minutes, the drying process will not be performed.

<Automatic setting; relative setting relative to the automatic setting>

“0xFF: 0xFF” shall be used for the “automatic setting” mode.

In relative setting in the positive direction, it must be possible to specify the drying time in the 0xA000 to 0xA03B (1 to 60 minutes) range. In relative setting in the negative direction, it must be possible to specify the drying time in the 0xC000 to 0xC03B (1 to 60 minutes) range.

(25) Warm water setting

Warm water setting property specifies whether to use warm water in the washing process for the washer and dryer cycle option(s) specified with the “washer and dryer cycle setting 1” property (EPC = 0xD0) or by the “washer and dryer cycle setting 2” property (EPC = 0xD1) and the “drying cycle setting” property (EPC = 0xD2) or specify/change the temperature of the warm water (in °C) in cases where it is specified to use warm water, and to acquire the current setting. The warm water temperature shall be between 0 and 100°C. When the value is 0xFE, it shall mean that warm water is not used. When the value is 0xFF, it shall mean that the warm water temperature is automatically set. When the actual piece of equipment cannot achieve the temperature specified with this property, the warm water temperature to be used shall be implementation-dependent.

(26) Bathtub water recycle setting

Bathtub water recycle setting property specifies whether to use used bathtub water

for the washer and dryer cycle option(s) specified with the “washer and dryer cycle setting 1” property (EPC = 0xD0) or by the “washer and dryer cycle setting 2” property (EPC = 0xD1) and the “drying cycle setting” property (EPC = 0xD2) or select/reselect the process(es) in which used bathtub water is to be used in cases where it is specified to use bathtub water, and to acquire the current setting.

The property values shall be as follows:

Bathtub water not used = 0x40

Use bathtub water for washing only = 0x41

Use bathtub water for rinsing only (excluding the final rinsing process) = 0x42

Use bathtub water for all rinsing processes = 0x43

Use bathtub water for washing + rinsing (excluding the final rinsing process) = 0x44

Use bathtub water for washing + all rinsing processes = 0x45

(27) Wrinkling minimization setting

Wrinkling minimization setting property specifies whether or not to use the wrinkling minimization function after completion of the drying process for the washer and dryer cycle option(s) specified with the “washer and dryer cycle setting 1” property (EPC = 0xD0) or by the “washer and dryer cycle setting 2” property (EPC = 0xD1) and the “drying cycle setting” property (EPC = 0xD2), and to change or acquire the current setting. 0x41 shall be used when the wrinkling minimization function is to be used and 0x42 shall be used when the wrinkling minimization function is not to be used.

(28) Time remaining to complete washer and dryer cycle

Time remaining to complete washer and dryer cycle property specifies the time remaining to complete the current washer and dryer cycle in the “hour (0x00 to 0xFE (0 to 254)): minute (0x00 to 0x3B (0 to 59))” format. The higher- and lower-order bytes shall be used for the “hour” and “minute” values, respectively. When the time remaining to complete the washer and dryer cycle is unknown and cannot be displayed, “0xFF: 0xFF” shall be used.

(29) Door/cover lock setting

Door/cover lock setting property specifies the state of the door/cover during operation (i.e. locked or unlocked) and to acquire the current setting. 0x41 and 0x42 shall be used for the “locked” and “unlocked” states, respectively.

(30) Washer and dryer cycle

Washer and dryer cycle property specifies the current washer and dryer cycle

setting that has been specified with the “washer and dryer cycle setting 1” property (EPC = 0xD0) or by the “washer and dryer cycle setting 2” property (EPC = 0xD1) and the “drying cycle setting” property (EPC = 0xD2) and to which the settings specified with the following properties have been applied:

- Presoaking time setting (EPC = 0xE1)
- Water volume setting 1 (EPC = 0xE3)
- Water volume setting 2 (EPC = 0xE4)
- Washing time setting (EPC = 0xE5)
- “Number of times of rinsing” setting (EPC = 0xE6)
- Rinsing process setting (EPC = 0xE7)
- Spin drying time setting (EPC = 0xE8)
- Drying time setting (EPC = 0xE9)
- Warm water setting (EPC = 0xEA)
- Bathtub water recycle setting (EPC = 0xEB)
- Wrinkling minimization setting (EPC = 0xEC)
- Water flow rate setting (EPC = 0xD6)
- “Rotation speed for spin drying” setting (EPC = 0xD7)
- “Degree of drying” setting (EPC = 0xD8)

The first and second bytes comprise a bitmap list of the properties whose values may be obtained when applicable. When the value contained in a bit is “1,” it shall mean that the setting specified with the property represented by that bit is effective and can be obtained with this property.

- | | |
|---|--|
| Bit 0: Presoaking | Bit 1: Washing time setting |
| Bit 2: “Number of times of rinsing” setting | Bit 3: Rinsing process setting |
| Bit 4: Spin drying time setting | Bit 5: Drying time setting |
| Bit 6: Warm water setting | Bit 7: Water volume setting 1 |
| Bit 8: Water volume setting 2 | Bit 9: Bathtub water recycle setting |
| Bit 10: Water flow rate setting | Bit 11: “Rotation speed for spin drying” setting |
| Bit 12: “Degree of drying” setting | Bit 13: Presoaking time setting |
| Bit 14: Wrinkling minimization setting | Bit 15: Reserved for future use. |

The third byte indicates whether or not to use the presoaking process. 0x41 shall mean that the presoaking process is used and 0x42 shall mean that the presoaking process is not used. When the value contained in the third byte is 0x41 and Bit 13 of the set of the first and second bytes contains “1” (= effective), the 22nd and 23rd bytes must contain an appropriate value.

The fourth and fifth bytes indicate the washing time specified. This value shall be identical to the value of the “washing time setting” property.

The sixth byte indicates the number of times of rinsing specified. This value shall be identical to the value of the “number of times of rinsing’ setting” property.

The seventh through tenth bytes indicate the rinsing process(es) specified. This value shall be identical to the value of the “rinsing process setting” property.

The eleventh byte indicates the spin drying time specified. This value shall be identical to the value of the “spin drying time setting” property.

The twelfth and thirteenth bytes indicate the drying time specified. This value shall be identical to the value of the “drying time setting” property.

The fourteenth byte indicates the warm water setting specified. This value shall be identical to the value of the “warm water setting” property.

The fifteenth byte indicates the water volume specified with the “water volume setting 1” property. This value shall be identical to the value of the “water volume setting 1” property.

The sixteenth byte indicates the water volume specified with the “water volume setting 2” property. This value shall be identical to the value of the “water volume setting 2” property.

The seventeenth byte indicates the bathtub water recycle setting specified. This value shall be identical to the value of the “bathtub water recycle setting” property.

The eighteenth byte indicates the water flow rate specified. This value shall be identical to the value of the “water flow rate setting” property.

The nineteenth and twentieth bytes indicate the rotation speed specified for spin drying. This value shall be identical to the value of the “rotation speed for spin drying’ setting” property.

The twenty-first byte indicates the degree of drying specified. This value shall be identical to the value of the “degree of drying’ setting” property.

The twenty-second and twenty-third bytes indicate the presoaking time specified. This value shall be identical to the value of the “presoaking time setting” property. When the presoaking time setting is effective and Bit 0 of the set of the first and second bytes contains “1” (effective), the third byte must contain the appropriate value.

The twenty-fourth byte indicates the wrinkling minimization setting specified. This value shall be identical to the value of the “wrinkling minimization setting” property.

(31) ON timer reservation setting

ON timer reservation setting property specifies whether or not to use the ON timer-based reservation function (i.e. reservation ON or reservation OFF), and to acquire the current setting. The property value shall be 0x41(reservation ON) or

0x41(reservation OFF).This property is used in combination with the “ON timer setting” or “relative time-based ON timer setting” property.

(32) ON timer setting

When the value of the ““ON timer reservation’ setting” property is “reservation ON”, this property is used to specify the time when the value of the “washer and dryer setting” property (EPC = 0xB2) will change to “start” (0x41) or the time when the value of the “current stage of washer and dryer cycle” property (EPC = 0xE2) will change to “washing completed” (0x45), “washing/drying (without wrinkling minimization) completed” (0x51) or “drying (with wrinkling minimization) completed” (0x54), in the “hour (0x00 to 0x17 (0 to 23)) : minute (0x00 to 0x3B (0 to 59))” format, and to acquire the current setting. The higher- and lower-order bytes shall be used for the “hour” and “minute” values, respectively.

(33) Relative time-based ON timer setting

When the value of the ““ON timer reservation’ setting” property is “reservation ON”, this property is used to specify the time when the value of the “washer and dryer setting” property (EPC = 0xB2) will change to “start” (0x41) or the time when the value of the “current stage of washer and dryer cycle” property (EPC = 0xE2) will change to “washing completed” (0x45), “washing/drying (without wrinkling minimization) completed” (0x51) or “drying (with wrinkling minimization) completed” (0x54), in terms of a relative time relative to the current time, and to acquire the current setting. The “hour (0x00 to 0xFF (0 to 255)) : minute (0x00 to 0x3B (0 to 59))” format shall be used.

3. 4. 10 Requirements for the commercial showcase outdoor unit class

Class group code : 0x03

Class code : 0xD4

Instance code : 0x01–0x7F (0x00: All-instance specification code)

Property name	EPC	Contents of property	Data type	Data size	Unit	Access rule	Mandatory	Announcement at status change	Remark
		Value range (decimal notation)							
Operation status	0x80	This property indicates the ON/OFF status.	unsigned char	1 byte	—	Set		○	
		ON=0x30, OFF=0x31				Get			
Exceptional status	0xAA	Indicates that the showcase freezer is in an exceptional status.	unsigned char	1 byte		Get			
		Normal status=0x40, defrosting status=0x41							
Operation mode setting	0xB0	Used to set cooling, non-cooling, and other operating modes and to acquire the setting status.	unsigned char	1 byte	-	Set/Get	○	○	
		0x41 (cooling), 0x42 (non-cooling)							
Measured value of outdoor air temperature	0xBE	Used to acquire measurements of outdoor air temperature.	signed char	1 byte	°C	Get			
		0x81-0x7D (-127-125°C)							
Compressor operation status	0xE2	Indicates compressor ON/OFF status.	unsigned char	1 byte		Set/Get			
		0x30 (ON), 0x31 (OFF)							
Group information	0xCA	Information to link showcases with outdoor units for showcases.	unsigned char	1 byte		Set			
		0x00: No setting 0x01-0xFD				Get			

Note: In the “Announcement at status change” column, ○ denotes mandatory processing when the property is implemented. And

Devices generally known as “freezers” are assumed to be equipped with this class.

(1) Operation status (inherited from the device object super class property)

This property is used to set the commercial showcase to ON or OFF and to acquire the operation status. In the case of a node equipped with this class in which the functions specific to the commercial showcase start operating upon startup of the node, this property may be implemented with the value fixed at 0x30 (operation status ON).

(2) Exceptional status

Indicates that the showcase freezer is in defrosting status. The property values in the case of defrosting status is 0x41. The property value in the case of normal status is 0x40.

(3) Operation mode setting

The operation mode setting property indicates showcase operating mode as a 1-byte value. Used to set the cooling / non-cooling operating mode and acquire the setting status. Property values 0x41/0x42 correspond to the cooling / non-cooling operating mode, respectively. As for the property values adopted, actual devices implementing this class need only implement property values that can be adopted as their functions. For example, if an actual device equipped with this class is not equipped with the non-cooling function as one of its functions, there is no need to implement 0x42 for non-cooling.

(4) Measured value of outdoor air temperature

The outdoor air temperature measurement property indicates the result of outdoor air temperature measurement in units of 1°C. The property value range is 0x81-0x7D (-127-125°C). If the property values of actual devices exceed the property value range, the overflow code 0x7F shall be used. If the property values of actual devices are lower than the lower limit of the property value range, the underflow code 0x80 shall be used.

(5) Compressor operation status

The compressor operation status property is used to set the compressor to ON or OFF and to acquire the operation status.

(6) Group information

Group information property values provide information to link showcases with external devices for showcases. Showcases and external devices for showcases with the same property values shall be connected using the same refrigerant piping. Note that the value shall be unique within identical ECHONET/ECHONET Lite domains.

3. 5 Health-related Device Class Group

This section specifies detailed codes and properties for each ECHONET object belonging to the health-related device class group (class group specification code X1 = 0x04). Table 3-5 shows a list of classes specified in detail in this section. In the requirements of classes, “Mandatory” means that the device mounting each class must mount a combination of its property and service.

Table 3-5 List of Objects of Health-related Device Class Group

Group code	Class code	Class name	Detailed requirements	Remark
0x04	0x00	Reserved for future use		
	0x01	Weighing machine	○	
	0x02	Clinical thermometer		
	0x03	Blood pressure meter		
	0x04	Blood sugar meter		
	0x05	Body fat meter		
	0x06-0xFF	Reserved for future use.		

Note: ○ indicates a detail is explained including a property structure in APPENDIX.

3. 5. 1 Requirements for weighing machine class

Class group code : 0x04

Class code : 0x01

Instance code : 0x01–0x7F (0x00: All-instance specification code)

Property name	EPC	Contents of property	Data type	Data size	Unit	Access rule	Mandatory	Announcement at status change	Remark
		Value range (decimal notation)							
Operation status	0x80	This property indicates the ON/OFF status of the weighing machine operation	unsigned short	1 byte	—	Set		○	
		ON=0x30, OFF=0x31							
Measured value of body weight	0xE0	This property indicates measured value of body weight in units of 0.1 kg.	unsigned short	2 bytes	0.1 kg	Get			
		0x0000–0xFFFD (0–6553.3kg)							
Measured value of body fat	0xE1	This property indicates measured value of body fat in units of 0.1%.	unsigned short	2 bytes	0.1%	Get			
		0x0000–0x03E8 (0–100.0%)							

Note: In the “Announcement at status change” column, ○ denotes mandatory processing when the property is implemented.

- (1) Operation status (inherited from the device object super class property)
This property indicates the ON/OFF status of the weighing machine operation.
- (2) Measured value of body weight
This property indicates the measured body weight in units of 0.1 kg.
- (3) Measured value of body fat
This property indicates the measured value of body fat in units of 0.1%.

3. 6 Management/Operation-related Device Class Group

This section specifies detailed codes and properties for each ECHONET object belonging to the management/operation-related device class group (class group specification code X1 = 0x05). Table 3-6 shows a list of classes specified in detail in this section. In the requirements of classes, “Mandatory” means that the device mounting each class must mount a combination of its property and service.

Table 3-6 List of Objects of Management/Operation-related Device Class Group

Class group code	Class code	Class name	Announcement at status change	Remark
0x05	0x00 to 0xF9	Reserved for future use		
	0xFA	Parallel processing combination-type power control	○	
	0xFB	DR event controller	○	
	0xFC	Secure communication shared key setup node	●	
	0xFD	Switch (supporting JEM-A/HA terminals)	○	
	0xFE	Portable (mobile) terminal.		
	0xFF	Controller	○	

Note: “●” indicates a detail is explained including a property structure in Part 2 of the ECHONET Specification.

3. 6. 1 Requirements for switch class (supporting JEM-A/HA terminals)

Class group code : 0x05

Class code : 0xFD

Instance code : 0x01- 0x7F (0x00: All-instance specification code)

Property name	EPC	Contents of property	Data type	Data size	Unit	Access rule	Mandatory	Announcement at status change	Remark
		Value range (decimal notation)							
Operation status	0x80	This property indicates the ON/OFF status.	unsigned char	1 byte	—	Set	○	○	
		ON=0x30, OFF=0x31				Get	○		
Connected device	0xE0	Name of the device to connect to	unsigned char	12 bytes	—	Set			
		Stores the name of the type of the device.				Get			

Note: In the “Announcement at status change” column, ○ denotes mandatory processing when the property is implemented.

(1) Operation status (a property inherited from the device object super class)

This property indicates whether the functions specific to this class are operating (ON) or not (OFF). In the case of Get, the status of the M signal of the HA terminal shall be reflected. In the case of Set, the set value shall be compared with the value of the M signal of the HA terminal, and if they are different, the prescribed pulse shall be output (C signal of the HA terminal).

(2) Connected device

Stores the name of the type of the device to connect to in the form of an ASCII code. This value shall be stored in a non-volatile memory.

(Refer to the explanation about the “Product code” property.)

3. 6. 2 Requirements for controller class

Class group code : 0x05

Class code : 0xFF

Instance code : 0x01- 0x7F (0x00: All-instance specification code)

Property name	EPC	Contents of property	Data type	Data size	Unit	Access rule	Mandatory	Announcement at status change	Remark
		Value range (decimal notation)							
Operation status	0x80	This property indicates the ON/OFF status.	unsigned char	1 byte	—	Set		○	
		ON=0x30, OFF=0x31				Get			
Controller ID	0xC0	This property indicates the ID of a controller	unsigned char × 40	Max. 40 bytes	—	Get			Note 1
		Max. 40-byte binary value							
Number of devices controlled	0xC1	The number of devices controlled by a controller with a given controller ID	unsigned short	2 bytes	—	Get			Note 1
		0x0000-0xFFFFD (0-65533)							
Index	0xC2	This property indicates the index of the device list	unsigned short	2 bytes	—	Set / Get			
		0x0001-0xFFFFD (1-65533)							
Device ID	0xC3	This property indicates the ID of a device	unsigned char × 40	Max. 40 bytes	—	Get			Note 1
		Max. 40 byte binary value							
Device type	0xC4	This property indicates the type of a device showing a device ID	unsigned char × 2	2 bytes	—	Get			Note 1
		Class group code + class code							
Name	0xC5	This property indicates the name of a device showing a device ID	unsigned char × 64	Max. 64 bytes	—	Get			
		Specified using UTF-8 (no BOM)							
Connection status	0xC6	This property indicates the status of a device showing a device ID	unsigned char	1 byte	—	Get			Note 1
		Connected = 0x41, Disconnected = 0x42, Not registered = 0x43, Deleted = 0x44							
Business code of the device to be controlled	0xC7	Specified in 3 bytes	unsigned char × 3	3 bytes	—	Get			Note 1
		(Assigned by the ECHONET Consortium)							
Product code of the device to be controlled	0xC8	Specified in ASCII code	unsigned char × 12	Max. 12 bytes	—	Get			
		(Assigned by each manufacturer)							
Manufacture date of the device to be controlled	0xC9	Specified in 4 bytes	unsigned char × 4	4 bytes	—	Get			
		This property indicates the date as YYMD (1 character = 1 byte) YY: Western calendar year (e.g. 1999 = 0x07CF) M: month (e.g. December = 0x0C) D: day (e.g. 20th = 0x14)							
Registered	0xCA	Specified in 4 bytes	unsigned	4 bytes	—	Get			

information renewal date of the device to be controlled		his property indicates the date as YYMD (1 character = 1 byte) YY: Western calendar year (e.g. 1999 = 0x07CF) M: month (e.g. December = 0x0C) D: day (e.g. 20th = 0x14)	char × 4						
Registered information renewal version information of the device to be controlled	0xCB	Version information renewed each time a controlled device is added or deleted 0x0000-0xFFFF (0-65533)	unsigned short	2 bytes	—	Get			
Place to install device to be controlled	0xCC	This property indicates the place where a device showing a device ID is installed. See “2.2 Installation location property”	unsigned char	1 byte		Get			
Fault status of device to be controlled	0xCD	This property indicates the fault occurred status of a device showing a device ID. Fault occurred=0x41, No fault has occurred=0x42	unsigned char	1 byte		Get			
Address of installation location	0xE0	This property indicates the address where the controller is installed. Specified using UTF-8 (no BOM)	unsigned char	Max. 255 byte	-	Get			
Set property map for device to be controlled	0xCE	This property indicates Set property map of device indicated by device ID. Refer to Appendix 1	unsigned char x (Max. 17)	Max. 17 byte		Get			
Get property map for device to be controlled	0xCF	This property indicates “get property map” of the device indicated by the device ID. Refer to Appendix 1	unsigned char x (Max. 17)	Max. 17 byte		Get			

Note: In the “Announcement at status change” column, ○ denotes mandatory processing when the property is implemented.

Note 1: When linking with other systems, data corresponding to this property must be retained without fail. However, controllers not sharing these data inside the ECHONET Lite domain do not need to have the relevant properties installed in the controller class.

(1) Operation status (property inherited from the device object super class)

This property indicates whether the function intrinsic to this class is operating or not (ON/OFF). In the node incorporating this class, if the function of this class is started concurrently with the start of node operation, this property may be implemented at a fixed value of 0x30 (Operation status ON).

(2) Controller ID

This property indicates the ID of the controller itself. When installing instance classes of

more than one controller class inside the same node, each controller ID shall be unique. Unique IDs may be generated by basing them on the manufacturer’s own “identification number properties” or similar. Controllers incorporating the controller class and linked to other systems outside the ECHONET Lite domain must retain data corresponding to this property.

(3) Number of devices controlled

This property detects devices connected to a network by a controller class indicated by the controller ID property, and indicates the number of devices given device IDs. Controllers incorporating the controller class and linked to other systems outside the ECHONET Lite domain must retain data corresponding to this property.

(4) Index

When a controller gives a device ID to a device (instance), it creates and controls an index for each device ID. The index starts from 0x0001 and lists information on devices, without any missing numbers. When the value of this property changes, the object of designation shifts to another device, in which case the values of properties such as device ID, device type and name are also likely to change.

Index	Device ID	Device type	Name	Connection status	Business code of the device to be controlled	
0x0001						
0x0002						
0x0003						
0x0004						

Note that, as stated in the explanation of each property, controllers incorporating the controller class and linked to other systems outside the ECHONET Lite domain must retain data corresponding to the number of the device to be controlled, device ID, device type, connection status, and the business code of the device to be controlled.

Also, when specified in the SetGet ESV, properties specified by Get shall have property values related to the relevant device in the index property Set in this property. Write requests to the “index” property (Set) and read requests to other related properties (Get) may be sent as separate messages, but it is recommended that SetGet (ESV = 0x6E) be used as the service code so that Set requests to the “index” property and Get requests to other related properties can be sent in a single message. This is due to the possibility

that a time lag could arise and write requests to the “index” property from another device could be received in the meantime.

(5) Device ID

This property indicates the ID for identifying devices shown in the index property. When controlling more than one device, each device ID shall be unique. The device ID of the relevant device must not be changed while controlling. Unique device IDs shall be assigned by generating them based on the “Identification number” property acquired from the device. Controllers incorporating the controller class and linked to other systems outside the ECHONET Lite domain must retain data corresponding to this property.

When not controlling a device corresponding to the value specified in the index property, the value of this property shall be 0xFF.

(6) Device type

This property indicates the type of a device shown in the index property, consisting of the class group code and class code in 2 bytes. Controllers incorporating the controller class and linked to other systems outside the ECHONET Lite domain must retain data corresponding to this property.

When not controlling a device corresponding to the value specified in the index property, the value of this property shall be 0xFFFF.

(7) Name

This property indicates the name of a device shown in the index property. The name established in applications or other features of the relevant controller shall be indicated. It is recommended that controllers incorporating the controller class and linked to other systems outside the ECHONET Lite domain retain data corresponding to this property.

(8) Connection status

This property indicates the connection status of a device shown in the index property. In this Version, it defines the status as “Connected”, “Disconnected”, “Not registered” or “Deleted”.

The “Connected” status indicates that a device with a registered controller is connected to a network.

The “Disconnected” status indicates that a device with a registered controller cannot be seen on the network by the controller.

The “Not registered” status indicates that a network connection can be confirmed but the controller is not registered.

The “Deleted” status indicates that a device with a previously registered controller has been removed from the objects of control. If a device controlled under the “Deleted” status is detected as having been reconnected to the network, it is controlled after changing the connection status without having a new index added. However, information on the device in question may itself be deleted without using the “Deleted” status.

Controllers incorporating the controller class and linked to other systems outside the ECHONET Lite domain must retain data corresponding to this property.

Each connection status shall correspond to the property values 0x41 / 0x42 / 0x43 / 0x44 respectively, in that order. When not controlling a device corresponding to the value specified in the index property, the value of this property shall be 0xFF.

(9) Business code of the device to be controlled

This property indicates the business code (manufacturer code) of a device shown in the index property. The property value of the business code (manufacturer code) shall be allocated by the ECHONET Consortium to each ECHONET Consortium member.

Controllers incorporating the controller class and linked to other systems outside the ECHONET Lite domain must retain data corresponding to this property.

When not controlling a device corresponding to the value specified in the index property, the value of this property shall be 0xFFFFFFFF.

(10) Product code of the device to be controlled

This property indicates the product code of a device shown in the index property.

Because the product code property in the device object super class is optional, it may not be possible to acquire it from the device via the network. In that case, it may be registered and controlled via the controller UI or similar. It is recommended that controllers incorporating the controller class and linked to other systems outside the ECHONET Lite domain retain data corresponding to this property.

(11) Manufacture date of the device to be controlled

This property indicates the date of manufacture of a device shown in the index property. Note that, depending on the device, it may be difficult to register all dates, and control is therefore based on the year only, or the year and the month only. In such cases, unretained data shall be reserved with 0x00. It is recommended that controllers

incorporating the controller class and linked to other systems outside the ECHONET Lite domain retain data corresponding to this property.

When not controlling a device corresponding to the value specified in the index property, the value of this property shall be 0xFFFFFFFF.

(12) Registered information renewal date of the device to be controlled

This property indicates the date on which a controlled device is “added” or “deleted”.

The value of this property shall not change when there is a change in property values related to information on each device subject to control (such as the name or connection status of the controlled device).

(13) Registered information renewal version information of the device to be controlled

Finally, when a controlled device has been “added” or “deleted”, the version information shall be renewed. Upon renewal, the value of this property shall be increased by 1.

When a device list is renewed in cases of 0xFFFFD, it shall change to 0x0000. The value of this property shall not change when there is a change in property values related to information on each device subject to control (such as the name or connection status of the controlled device).

(14) Place to install device to be controlled

This property indicates the place of the device installed shown in the index property. The value of installation location “エラー! 参照元が見つかりません。 エラー! 参照元が見つかりません。” shall be referenced. It is recommended that controllers incorporating the controller class and linked to other systems outside the ECHONET Lite domain retain data corresponding to this property.

When not controlling a device corresponding to the value specified in the index property, the value of this property shall be 0xFF.

(15) Fault status of device to be controlled

This property indicates the fault status of a device shown in the index property. The value of fault occurred status “エラー! 参照元が見つかりません。 エラー! 参照元が見つかりません。” shall be referenced. It is recommended that controllers incorporating the controller class and linked to other systems outside the ECHONET Lite domain retain data corresponding to this property.

When not controlling a device corresponding to the value specified in the index property, the value of this property shall be 0xFF.

(16) Address of place installed

This property indicates an address where controller implements this class is installed.

(17) Set property map for device to be controlled

This property indicates the Set property map of the device shown in the index property. The value of Set property map “エラー! 参照元が見つかりません。 エラー! 参照元が見つかりません。” shall be referenced. It is recommended that controllers incorporating the controller class and linked to other systems outside the ECHONET Lite domain retain data corresponding to this property.

When not controlling a device corresponding to the value specified in the index property, the value of this property shall be 0xFF.

(18) Get property map for device to be controlled

This property indicates the Get property map of a device shown in the index property. The value of Get property map “エラー! 参照元が見つかりません。 エラー! 参照元が見つかりません。” shall be referenced. It is recommended that controllers incorporating the controller class and linked to other systems outside the ECHONET Lite domain retain data corresponding to this property.

When not controlling a device corresponding to the value specified in the index property, the value of this property shall be 0xFF.

3. 6. 3 Requirements for the DR event controller class

Class group code : 0x05

Class code : 0xFB

Instance code : 0x01-0x7F (0x00: All-instance specification code)

Property name	EPC	Contents of property	Data type	Data size	Unit	Access rule	Mandatory	Announcement at status change	Remark
		Value range (decimal notation)							
Operation status	0x80	This property indicates the ON/OFF status	unsigned char	1 byte	—	Set	○	○	(1)
		0x30: ON, 0x31: OFF				Get			
Business ID	0xD0	This property indicates the identifier (ID) of a power company, aggregator or other demand response (DR) activating business	unsigned short	2 bytes	—	Get	○		(2)
		0x0001-0xFFFD (1-65533)							
DR program type	0xD1	This property indicates the type of DR program	unsigned char	1 byte	—	Get	○		(3)
		0x30: CPP 0x31: PTR 0x32: Power use limit 0x33: Power generation limit 0x34: Electricity forecast 0x35: DLC 0x36: Level designation 0x00-0x2F: Future reserved 0x37-0x7F: Future reserved 0x80-0xFD: User defined domain (used by DR activating business)							
Program ID	0xD2	This property indicates the ID of a DR program	unsigned char	1 byte	—	Get	○		(4)
		0x01-0xFD (1-253) If not assigned: 0xFE							
Current valid event information	0xD3	This property indicates event information valid at the current time	Similar to "Event"	MAX 165byt	—	Get	○		(5)

		<p>“Event information” or 0x00: “Event information” indicates the format and value range defined by the “Event information” property (0xE0) 0x00 indicates no event information valid at the current time</p>	<p>information " property, but in case of no current valid event information , set unsigned char</p>	<p>es, similar to "Event informa tion" propert y but 1 byte, in case of no current valid event informa tion</p>					
Next valid event information	0xD4	<p>This property indicates the next valid event information after the current time</p> <p>“Event information” or 0x00: “Event information” indicates the format and value range defined by the “Event information” property (0xE0) 0x00 indicates no next valid event information after the current time</p>	<p>Similar to "Event information " property, but in case of no current valid event information , set unsigned char</p>	<p>MAX 165byt es, similar to "Event informa tion" propert y but 1 byte in case of no current valid event informa tion</p>	—	Get	○		(6)

Future event information notification ID list	0xD5	This property indicates a list of notification IDs for event information at current and future times of day	unsigned char+ unsigned char ×(MAX 100)	MAX 101 bytes	—	Get	○		(7)
		Byte 1 (list count): 0x01-0x64 (1-100) If a list has no notification ID, 0x00 Byte 2 onwards (notification ID list): Notification IDs listed 1 byte at a time, up to a maximum of 100 (value range of each notification ID 0x00-0x63 (0-99)) If a list has no notification ID, there is no Byte 2 onwards							
Past event information notification ID list	0xD6	This property indicates a list of notification IDs for event information at past times of day	unsigned char+ unsigned char ×(MAX 100)	MAX 101 bytes	—	Get	○		(8)
		Byte 1 (list count): 0x01-0x64 (1-100), If a list has no notification ID, 0x00 Byte 2 onwards (notification ID list): Notification IDs listed 1 byte at a time, up to a maximum of 100 (value range of each notification ID 0x00-0x63 (0-99)) If a list has no notification ID, there is no Byte 2 onwards							
Newest received event notification ID	0xD7	This property indicates the notification ID for event information received at the most recent date and time 0x00-0x63 (0-99) If there is no notification ID: 0xFE	unsigned char	1 byte	—	Get	○	○	(9)
Oldest received event notification ID	0xD8	This property indicates the notification ID for event information received at the most distant date and time	unsigned char	1 byte	—	Get	○		(10)

		0x00-0x63 (0-99) If there is no notification ID: 0xFE							
Notification ID designation	0xD9	This property designates the notification ID of event information needed to acquire 0x00-0x63 (0-99)	unsigned char	1 byte	—	Set/Get	○		(11)
Event information ID designation	0xDA	This property designates the event information ID of “Confirm/opt information” or the status of “Confirm/opt information” needed to acquire Bytes 1-2: Business ID Byte 3: DR program type Byte 4: Program ID Bytes 5-8: Implementation date Year: 0x0001-0x270F (1-9999) Month: 0x01-0x0C (1-12) Day: 0x01-0x1F (1-31) Bytes 9-10: If there is no confirm/opt information or confirm/opt information status corresponding to the event information ID with designated event ID, the value of this property shall be 0xFFFFFFFFFFFFFFFF	unsigned char ×10	10 bytes	—	Set/Get			(12)
Target device information list	0xDB	This property indicates the list count and the lists of DR target device information	unsigned char+ (unsigned	MAX 231 bytes	—	Get			(13)

		<p>Byte 1 (list count): 0x01-0x0A (1-10)</p> <p>When there is no list, 0x00 is indicated</p> <p>Bytes 2-24: Target device information</p> <p>Bytes 2-4: EOJ</p> <p>Byte 5: Installation location</p> <p>Bytes 6-7: Individual identification information</p> <p>Bytes 8-24: Identification number</p> <p>Byte 25 onwards: Repeat information in Bytes 2-24</p>	char×23)×(MAX 10)						
Event information	0xE0	<p>This property indicates DR event information</p> <hr/> <p>Values defined in each data item of event information are assigned collectively</p>	<p>unsigned char×15+</p> <hr/> <p>unsigned short×3+</p> <hr/> <p>unsigned short×3×MAX24</p>	MAX 165 bytes	—	Get	○		(14)
Notification ID		<p>This property indicates serial number allocated by this class to make the event information uniquely identifiable</p> <hr/> <p>0x00-0x63 (0-99) If there is no notification ID: 0x64</p>	unsigned char	1 byte	—				
Event information data type		<p>This property indicates the event information data type</p> <hr/> <p>Byte 1 (major version): 0x01-0xFD (1-253) If not assigned: 0xFE</p> <p>Byte 2 (minor version): 0x00-0xFD (0-253) If not assigned: 0xFE</p>	<p>unsigned char</p> <hr/> <p>×2</p>	2 bytes	—				

Business ID	<p>This property indicates the identifier (ID) of a power company, aggregator or other DR activating business (same value as the “Business ID” property (0xD0))</p> <p>0x0001-0xFFFD (1-65533)</p> <p>If not assigned: 0xFFFE</p>	unsigned short	2 bytes	—				
DR program type	<p>This property indicates the type of DR program</p> <p>0x30: CPP</p> <p>0x31: PTR</p> <p>0x32: Power use limit</p> <p>0x33: Power generation limit</p> <p>0x34: Electricity forecast</p> <p>0x35: DLC</p> <p>0x36: Level designation</p> <p>0x00-0x2F: Future reserved</p> <p>0x37-0x7F: Future reserved</p> <p>0x80-0xFD: User defined domain (used by DR activating business)</p> <p>If not assigned: 0xFE</p>	unsigned char	1 byte	—				
Program ID	<p>This property indicates the program ID</p> <p>0x01-0xFD (1-253)</p> <p>If not assigned: 0xFE</p>	unsigned char	1 byte	—				
Implementation date	<p>This property indicates the date of implementation of an event in terms of the year (YYYY), month (MM) and day (DD)</p> <p>Year: 0x0001-0x270F (1-9999)</p> <p>Month: 0x01-0x0C (1-12)</p> <p>Day: 0x01-0x1F (1-31)</p> <p>If not assigned: 0xFFFFFFFF</p>	unsigned short + unsigned char×2	4 bytes	—				

Event ID		This property indicates the event ID allocated uniquely for each implementation date	unsigned char ×2	2 bytes	—				
Status		This property indicates the status of an event	unsigned char	1 byte	—				

	<p>In cases of CPP, PTR, and Level designation:</p> <p>0x30: Advance notification</p> <p>0x31: Decision notification</p> <p>0x32: Cancellation notification</p> <p>0x40: Advance notification (test)</p> <p>0x41: Decision notification (test)</p> <p>0x42: Cancellation notification (test)</p> <p>In cases of Power use limit, Power generation limit, and DLC:</p> <p>0x30: Advance notification</p> <p>0x31: Decision notification</p> <p>0x32: Cancellation notification</p> <p>0x40: Advance notification (test)</p> <p>0x41: Decision notification (test)</p> <p>0x42: Cancellation notification (test)</p> <p>0x50: Activation notification</p> <p>0x51: End notification</p> <p>0x60: Activation notification (test)</p> <p>0x61: End notification (test)</p> <p>In cases of Electricity forecast:</p> <p>0x31: Decision notification</p> <p>0x32: Cancellation notification</p> <p>0x41: Decision notification (test)</p> <p>0x42: Cancellation notification (test)</p> <p>If not assigned: 0xFE</p>							
Start time	<p>This property indicates the start time of an event in hours (hh) and minutes (mm)</p>	unsigned char ×2	2 bytes	—				
	<p>Byte 1 (hours): 0x00-0x17 (0-23)</p> <p>Byte 2 (minutes): 0x00-0x3B (0-59)</p> <p>If not assigned: 0xFE</p>							

Continuous time	<p>This property indicates the continuous time of an event in units of minutes</p> <p>0x0001-0xFFFD (1-65533)</p> <p>If not assigned: 0xFFFE</p>	unsigned short	2 bytes	—	
Units of value 1	<p>This property indicates units and scales of value 1</p> <p>When indicating price information units in CPP</p> <p>0x30: Defined by each business independently</p> <p>0x31: 0.01 yen / kWh</p> <p>0x32 : 0.01 yen /kW</p> <p>0x33 : 0.0001 yen /kWh</p> <p>0x34 : 0.0001 yen /kW</p> <p>0xFE: No unit assigned</p> <p>When indicating price information units in PTR</p> <p>0x30: Defined by each business independently</p> <p>0x31: 0.01 yen / kWh</p> <p>0x32: 0.01 yen /kW</p> <p>0x33: 0.0001 yen /kWh</p> <p>0x34:0.0001 yen /kW</p> <p>0xFE: No unit assigned</p> <p>When indicating power use limit contractual capacity in Power use limit</p> <p>0x40: A</p> <p>0x41: kWh 0x42: kW</p> <p>0x43: Wh</p>	unsigned char	1 byte	Written in the contents of property	

	0x44: W When indicating load control in DLC 0x40: A 0x41: kW h 0x42 : kW 0x43 : Wh 0x44 : W 0x50 : -A 0x51 : -kW h 0x52 : -kW 0x53 : -Wh 0x54 : -W Power generation limit unit in Power generation limit 0x50: % When indicating power supply-demand tightness in Electricity forecast 0xFE: No unit assigned When indicating degree of power reduction request in Level designation 0xFE: No unit assigned							
Units of value 2	This property indicates units and scales of value 2	unsigned char	1 byte	Written in the content				

	<p>In cases of CPP (no value for value 2) 0xFE: No unit assigned When indicating baseline units in PTR 0x30: Defined by each business independently 0x31: kWh 0x32 : kW 0x33 : Wh 0x34 : W 0xFE: No baseline unit assigned Power use limit unit in Power use limit 0x40: A 0x41: kWh 0x42: kW 0x43: Wh 0x44: W In cases of DLC (no value for value 2) 0xFE: No unit assigned In cases of Power generation limit (no value for value 2) 0xFE: No unit assigned When indicating expected maximum power usage in Electricity forecast 0x50: % In cases of Level designation (no value for value 2) 0xFE: No unit assigned</p>			s of property				
Number of categories	<p>This property indicates the number of time categories in an event</p>	unsigned char	1 byte	—				
	<p>0x01-0x18 (1-24) If not assigned: 0xFE</p>							

Category 1 continuous time	This property indicates category 1 continuous time in units of minutes 0x0001-0xFFFD (1-65533) If not assigned: 0xFFFE	unsigned short	2 bytes	—				
Category 1 value 1	This property indicates value 1 of category 1 In cases of price information in CPP 0x0000-0xFFFD (0-65533) In cases of price information in PTR 0x0000-0xFFFD (0-65533) In cases of contractual capacity in Power use limit 0x0000-0xFFFD (0-65533) In cases of load adjustment amount in DLC 0x0000-0xFFFD (0-65533) In cases of Power generation limit value in Power generation limit 0x0000-0x0064 (0-100) In cases of power supply-demand tightness in Electricity forecast 0x0060: Stable 0x0061: Somewhat tight 0x0062: Tight 0x0063: Very tight 0xFFFE: No value assigned In cases of degree of power reduction request in Level designation 0x0070: 0 0x0071: 1 0x0072: 2 0x0073: 3	unsigned short	2 bytes	—				
Category 1 value 2	This property indicates value 2 of category 1	unsigned short	2 bytes	—				

	<p>In cases of CPP (no value for value 2) Assign 0xFFFE</p> <p>In cases of baseline in PTR 0x0001-0x270F (1-9999)</p> <p>In cases of Power use limit capacity in Power use limit 0x0000-0xFFFD (0-65533)</p> <p>In cases of DLC (no value for value 2) Assign 0xFFFE</p> <p>In cases of Power generation limit (no value for value 2) Assign 0xFFFE</p> <p>In cases of expected maximum power usage in Electricity forecast Assign 0x0000-0x006E (0-110)</p> <p>In cases of Level designation (no value for value 2) Assign 0xFFFE</p>							
Category N continuous time	<p>This property indicates category N continuous time in units of minutes Below, up to a maximum of N = 24 increments may be assigned 0x0001-0xFFFD (1-65533) If not assigned: 0xFFFE</p>	unsigned short	2 bytes	—				
Category N value 1	<p>This property indicates value 1 of category N If not assigned: 0xFFFE</p>	unsigned short	2 bytes	—				

	<p>In cases of price information in CPP 0x0000-0xFFFFD (0-65533)</p> <p>In cases of price information in PTR 0x0000-0xFFFFD (0-65533)</p> <p>In cases of contractual capacity in Power use limit 0x0000-0xFFFFD (0-65533)</p> <p>In cases of load adjustment amount in DLC 0x0000-0xFFFFD (0-65533)</p> <p>In cases of Power generation limit value in Power generation limit 0x0000-0x006E (0-110)</p> <p>In cases of power supply-demand tightness in Electricity forecast 0x0060: Stable 0x0061: Somewhat tight 0x0062: Tight 0x0063: Very tight 0xFFFE: No value assigned</p> <p>In cases of degree of power reduction request in Level designation 0x0070: 0</p>							
Category N value 2	This property indicates value 2 of category N	unsigned short	2 bytes	—				

		CPP (no value for value 2) Assign 0xFFFE In cases of baseline in PTR 0x0001-0x270F (1-9999) In cases of Power use limit capacity in Power use limit 0x0000-0xFFFD (0-65533) In cases of DLC (no value for value 2) Assign 0xFFFE In cases of Power generation limit (no value for value 2) Assign 0xFFFE In cases of expected maximum power usage in Electricity forecast Assign 0x0000-0x006E (0-110) In cases of Level designation (no value for value 2) Assign 0xFFFE							
Confirm/opt information	0xE1	This property indicates the confirm/opt information of a DR event Values defined in each data item of event confirm/opt information are assigned collectively	unsigned char×10+ unsigned short×2	14 bytes	—	Set/Get			(15)
Notification ID		This property indicates serial number allocated by this class to make the event information uniquely identifiable 0x00-0x63 (0-99)	unsigned char	1 byte	—				
Confirm/opt information		This property indicates the data type of confirm/opt information	unsigned char	2 bytes	—				

data type	Byte 1 (major version): 0x01-0xFD (1-253) If not assigned: 0xFE Byte 2 (minor version): 0x00-0xFD (0-253) If not assigned: 0xFE	×2						
Business ID	This property indicates the identifier (ID) of a power company, aggregator or other DR activating business (same value as the “Business ID” property (0xD0)) 0x0001-0xFFFFD (1-65533)	unsigned short	2 bytes	—				
	This property indicates the type of DR program 0x30: CPP 0x31: PTR 0x32: Power use limit 0x33: Power generation limit 0x34: Electricity forecast 0x35: DLC 0x36: Level designation 0x00-0x2F: Future reserved 0x37-0x7F: Future reserved 0x80-0xFD: User defined domain (used by DR activating business)	unsigned char	1 byte	—				
DR program type								
Program ID	This property indicates the program ID 0x01-0xFD If not assigned: 0xFE	unsigned char	1 byte	—				
	This property indicates the date of implementation of an event in terms of the year (YYYY), month (MM) and day (DD)	unsigned short + unsigned char×2	4 bytes	—				
Implementation date								

		Bytes 1-2 (year): 0x0001-0x270F (1-9999) Byte 3 (month): 0x01-0x0C (1-12) Byte 4 (day): 0x01-0x1F (1-31)							
Event ID		This property indicates the event ID allocated uniquely for each implementation date	unsigned char ×2	2 bytes	—				
		Byte 1 (event number): 0x01-0x09 (1-9) Byte 2 (version count): 0x01-0xFD (1-253)							
Participation setting		This property designates the settings for participation or non-participation in an event	unsigned char	1 byte	—				
		0x30: Event participation 0x31: Event non-participation 0x32: Confirmed 0x33: No setting (initial value)							
Confirm/opt information status	0xE2	This property indicates the status of confirm/opt information of a DR event	unsigned char×2	2 bytes	—	Get			(16)
		Values defined in each data item of confirm/opt information status are assigned collectively							
Participation setting acceptance status		This property indicates the server response status of a DR activating business to the transmission of confirm/opt information	unsigned char	1 byte	—				

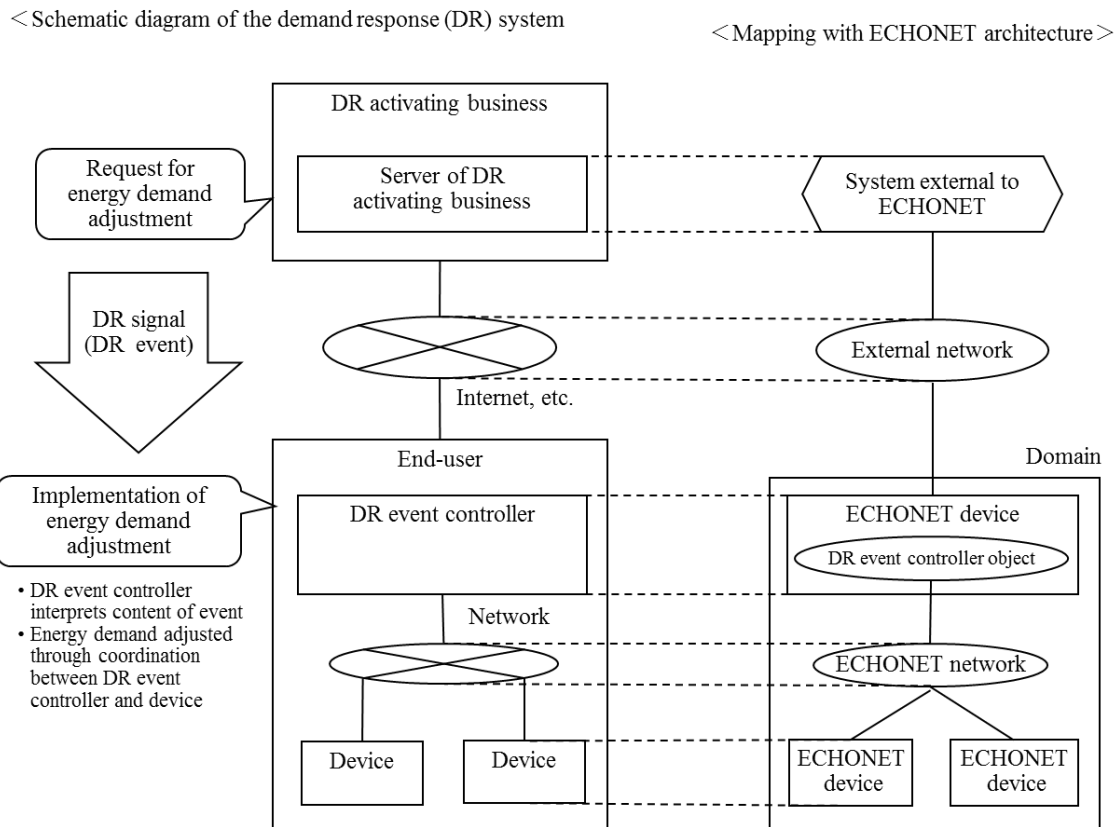
		0x30: Not accepted 0x31: Accepted 0x41: Abnormal OPT information received (Message description error, etc.) 0x42: Error after acceptance deadline 0xFE: No setting (initial value)							
Event participation status		This property indicates the status of participation in an event	unsigned char	1 byte	—				
		0x30: Event participation 0x31: Event non-participation 0xFE: No setting (initial value)							

Note: In the “Announcement at status change” column, ○ denotes mandatory processing when the property is implemented.

Note 1: Time zones for the event implementation date and start time of an event shall be defined as follows.

- Correspondence between the DR activating business server and the DR event controller shall use a time based on the communication specification being used.
- Local time shall be used by the DR event controller.

The purpose of this class shall be for a demand-response signal (DR event) received from a demand-response (DR) activating business to be shared between the DR event controller and various devices within the end-user’s ECHONET domain, by using the ECHONET / ECHONET Lite protocol.



(1) Operation status (property inherited from the device object super class)

This property indicates whether or not a DR event controller is capable of sending and receiving DR events and OPT information (ON/OFF). 0x30 shall be made to correspond to ON and 0x31 to OFF.

(2) Business ID

This property indicates the identifier (ID) for uniquely identifying a DR activating business that provides a DR program and DR event. This property value is fixed for each instance. If a DR event controller controls the DR programs of more than one DR business, it shall generate separate instances for each. It must not be possible for a single instance to be shared by more than one DR business.

(3) DR program type

This property indicates the type of a DR program. A DR program is a method of implementing a demand-response agreed between a DR activating business and the end-user, and indicates the various methods of CPP (0x30), PTR (0x31), Power use limit (0x32), Power generation limit (0x33), Electricity forecast (0x34), DLC (0x35),

and Level designation (0x36). Moreover, a DR activating business may define its own program. In this case, the 0x80-0xFD domain shall be used.

This property value remains fixed at the value decided when the instance was created.

If a DR event controller controls more than one DR program, it shall generate separate instances for each. It must not be possible for a single instance to be shared by more than one DR program.

(4) Program ID

This property indicates the ID for identifying a DR program. Since the DR activating business may define more than one DR program of the same DR program type, this “Program ID” property shall be used to make each DR program identifiable. Therefore, the DR activating business must assign this “Program ID” property value so that the DR program is unique by combining the “Business ID” property, the “DR program type” property and this “Program ID property”. This enables other devices and own-device applications that access this class to judge, by reading these three property values, whether or not it is this class that corresponds to a DR program requiring a response. This property value remains fixed for each instance.

If a DR event controller controls more than one DR program, it shall generate separate instances for each. It must not be possible for a single instance to be shared by more than one DR program.

(5) Current valid event information

This property stores event information valid at the current time. By reading this property value, it can be confirmed whether or not there is event information requiring demand-response action at the current time. If there is such event information, that information can be acquired.

“Current valid event (an event requiring demand-response action at the current time)” shall be defined as follows.

- An event in which the current time falls between the event start time and continuous time.
- An event with the status “Decision notification”, “Activation notification”, “Decision notification (test)” or “Activation notification (test)”. Includes events opted out by the end-user.
- Does not include events with the status “Advance notification”, “Cancellation notification”, “Advance notification (test)”, “Cancellation notification (test)”, “End notification”, or “End notification (test)”.

- A maximum of one event information can be stored, because more than one event information could not be valid at the same time. If a case arose in which more than one event would become valid at the same time in a single DR program, it could cause a DR program design error or similar in the DR activating business. As such, the method of dealing with this shall depend on the implementation.

For details on the content of event information, see the “Event information” property (0xE0).

(6) Next valid event information

This property stores one item of event information that will be valid next when time has elapsed after the current time. By reading this property value, it can be confirmed whether or not there is due to be event information that will be valid when seen from the current time. If there will be such event information, that information can be acquired.

“Next valid event (an event requiring demand-response action next when time has elapsed after the current time)” shall be defined as follows.

- Event information in which the event start time is closest to the current time.
- An event with the status “Decision notification”, “Activation notification”, “Decision notification (test)” or “Activation notification (test)”. Includes events opted out by the end-user.
- Does not include events with the status “Advance notification”, “Cancellation notification”, “Advance notification (test)”, “Cancellation notification (test)”, “End notification”, or “End notification (test)”. Also does not include current valid events in (5) above. Moreover, even if the event status is “Decision notification”, “Activation notification”, “Decision notification (test)” or “Activation notification (test)”, events subject to “Cancellation notification” are not included.

For details on the content of event information, see the “Event information” property (0xE0).

(7) Future event information notification ID list

This property stores the list count and the notification ID list of event information targeting present and future times. Data length is variable, the size being the number of notification IDs +1 (however, if there is no relevant notification ID (0x00), the data size is 1 byte).

- List count

This property indicates the number of event information cases targeting present and

future times. In other words, it stores the number of notification IDs stored in this property's notification ID list. If there are no notification IDs in the list, 0x00 is returned. In this case, it means that no present or future events are scheduled.

- Notification ID list

Of the retained event information, this property sets the notification ID list of event information targeting present and future times (including notification IDs of current valid event information). All present and future events are subject to listing, regardless of the event information status or the event participation / non-participation assigned for that event. The value range for the notification ID shall be 0x00-0x63 (0-99). These values are sorted and assigned in this list in sequence from the event start date and time (implementation date and start time) closest to the current time. If there is an event with the same event start date and time, the event status is different and the status values of the event information property are listed in sequence starting with the smallest.

(8) Past event information notification ID list

This property stores the list count and the notification ID list of event information targeting past times. Data length is variable, the size being the number of notification IDs +1 (however, if there is no relevant notification ID (0x00), the data size is 1 byte).

- List count

This property indicates the number of event information cases targeting past times. In other words, it stores the number of notification IDs stored in this property's notification ID list. If there are no notification IDs in the list, 0x00 is returned. In this case, it means that no events have yet taken place, or that past event information has all been discarded/disposed by the DR event controller and has not been retained.

- Notification ID list

Of the retained event information, this property sets the notification ID list of event information targeting past times. All past events are subject to listing, regardless of the event information status or the event participation / non-participation assigned for that event. The value range for the notification ID shall be 0x00-0x63 (0-99). These values are sorted and assigned in this list in sequence from the event start date and time (implementation date and start time) closest to the current time. If there is an event with the same event start date and time, the event status is different and the status values of the event information property are listed in sequence starting with the smallest.

(9) Newest received event notification ID

Of the event information retained by the DR event controller, the notification ID of event information with the most recent date and time of receipt from the DR activating business is assigned by this property. By acquiring this property value and comparing it with their own most recent notification ID, devices (other devices) and own-device applications that access this class can judge whether or not there is any event information not yet acquired.

When new event information is received from the DR activating business, a new notification ID is stored by this property, while the value is notified by simultaneous broadcast using INF or INFC.

The value range for the notification ID shall be 0x00-0x63 (0-99). Values are assigned sequentially. After reaching 0x63, the value returns to 0x00.

(10) Oldest received event notification ID

Of the event information retained by the DR event controller, the notification ID of event information received from the DR activating business furthest in the past (event information with the oldest date and time of receipt) is assigned by this property. By acquiring this property value, devices (other devices) and own-device applications that access this class can know the notification ID for event information that should be acquired in order to acquire past event information in chronological sequence.

If the DR event controller has deleted this event information, this property value is updated to the next oldest notification ID of event information after the deleted event, of the event information retained by this class.

(11) Notification ID designation

This property is used by devices (other devices) and own-device applications that access this class to write (Set) the notification ID of event information they need to acquire. By writing the notification ID in this property and reading the "Event information" property, event information corresponding to that notification ID can be acquired.

When making a read request, the last Set notification ID in the past is returned. When there is no last Set notification ID in the past, the initial value 0xFE is returned.

Notification IDs are assigned and controlled by the DR event controller in increments from 0, in the order that events were sent from the DR activating business. After reaching 99, the value returns to 0. Of events controlled by the DR event controller, if there are any untransmitted or unactivated events in one round from 99, it shall be made

possible to overwrite them and assign notification IDs. It is assumed that DR activating businesses will plan their activation so that only up to 100 (events) can be activated in a single DR program.

Notification ID write requests to the “Notification ID designation” property (Set) and read requests for event information from the “Event information” property (Get) may be sent as separate messages. However, it is recommended that SetGet (ESV = 0x6E) be used as the service code so that Set requests to the “Notification ID designation” property and Get requests to the “Event information” property can be sent in a single message, and the relevant “Event information” can be read in the resultant response message. This is due to the possibility that a time lag could arise and write requests to the “Notification ID designation” property from another device could be received in the meantime.

(12) Event information ID designation

This property is used by devices (other devices) and own-device applications that access this class to write (Set) the event information ID of confirm/opt information or confirm/opt information status they need to acquire. By writing the notification ID in this property and reading the “Confirm/opt information” property or “Confirm/opt information status” property, the confirm/opt information or confirm/opt information status corresponding to that notification ID can be acquired.

When making a read request, the last Set event information ID in the past is returned. When there is no last Set event information ID in the past, the initial value 0xFFFFFFFFFFFFFFFF is returned.

The “Event information ID” shall be a combination of “Business ID”, “DR program type”, “Program ID”, “Implementation date” and “Event ID”.

Event information ID write requests to the “Event information ID designation” property (Set) and read requests for confirm/opt information or confirm/opt information status from the “Confirm/opt information” property or “Confirm/opt information status” property (Get) may be sent as separate messages. However, it is recommended that SetGet (ESV = 0x6E) be used as the service code, so that Set requests to the “Event information ID designation” property and Get requests to the “Confirm/opt information” or “Confirm/opt information status” property can be sent in a single message, and the relevant “Confirm/opt information” can be read in the resultant response message. This is due to the possibility that a time lag could arise and write requests to the “Notification ID designation” property from another device could be received in the meantime.

(13) Target device information list

When a DR activating business designates any device as a DR control target, the DR event controller uses this property to assign the target device information. Devices (other devices) and own-device applications that access this class can acquire information on devices designated as DR control targets by reading this property. Target device information may also be assigned in this property when own-device applications in the DR event controller designate any device as a DR control target. The device acquires information on devices designated as DR control targets by reading this property.

Target devices shall be fixed in relation to the DR program (not changed with every DR event). In other words, target devices are designated for each combination of business ID, program type and program ID.

When more than one target is designated, target device information is assigned as a list.

Target device information shall consist of four items, namely EOJ, installation location, individual identification information, and identification number. These may be designated individually or in combination.

- In EOJ, sometimes only the device object class is assigned, and sometimes the device object instances are also included. When only the device object class is assigned, “All instances” shall be assigned in the instance code section.
- When only the device object class is assigned: Since instances are not designated, a judgment is made whether to process the event with the device objects of the designated device class themselves.
- When device object instances are also assigned: A judgment is made whether to process the event with device objects consistent with the designated EOJ. However, since an EA (ECHONET address) is not designated, it is possible that more than one device object will be designated within the domain.
- The installation location shall be in accordance with specifications defined in the installation location property of the ECHONET device object super class. However, although this is defined as 1 byte or 17 bytes in the ECHONET device object super class, only 1 byte shall be used.
- The individual identification information shall be in accordance with specifications defined in ECHONET node profile object.
- The identification number shall be in accordance with specifications defined in the ECHONET device object super class. This is defined as 9 bytes or 17 bytes in the ECHONET device object super class, and designation may be in 9 bytes or 17 bytes.

When using 9 bytes, the first ones shall be used, and the remaining 8 bytes shall all be set at "0".

When more than one target is designated, target device information is assigned as a list.

Settings for values when some information is not designated shall be as follows.

- When designating only EOJ: Installation location, Individual identification information, and Identification number shall all be set at 0x00.
- When designating only Installation location: EOJ, Individual identification information, and Identification number shall all be set at 0x00.
- When designating only Individual identification information: EOJ, Installation location, and Identification number shall all be set at 0x00.
- When designating only Identification number: EOJ, Installation location, and Individual identification information shall all be set at 0x00.

When not designating any target device at all, Byte 1 shall be set as 0x00.

Installation location = 0x00 is defined as "Installation location not specified" in the ECHONET device object super class. Therefore, when this is designated in the target device information, devices assigned with Installation location = 0x00 are interpreted as not being control targets.

(14) Event information

Devices (other devices) and own-device applications that access this DR class use the "Notification ID" designated property to Set the notification ID of event information they need to acquire. The DR event controller then sets event information corresponding to the designated notification ID in the "Notification ID" property. The use of the SetGet service (ESV = 0x6E) is recommended, so that a single ECHONET message can be used to write to the "Notification ID" property and read from this property.

This property indicates DR event information in the order of values in notification ID, event information data type, business ID, DR program type, program ID, implementation date, event ID, status, start time, continuous time, units, number of categories, category continuous time, and category.

If there is no event information corresponding to the designated DR event information in the notification ID designation property, the DR event controller sets the values at the time when there were no assigned values defined in all items, alongside this property.

○ Notification ID

A one-byte ID allocated uniquely to each piece of event information for control when

retained by the relevant device.

- Event information data type

The event information data type property indicates the combination of data on business ID, DR program type, program ID, implementation date, event ID, status, start time, continuous time, units, number of categories, category continuous time, and category in event information. This property indicates the event information data type in a major version and a minor version. In these specifications, the major version is fixed as “1” and the minor version as “0”. If there are compatible (*) data changes in future, such as a change in the specifications of this class, a change in the value range of the event information property, or an increase in data item options, the minor version will be incremented. If there is no compatibility, such as a repositioning due to the addition or deletion of data items, or differences in the meaning of the items themselves, the major version will be incremented.

(*) Compatible: Means that the specifications of a new version incorporate those of a previous version.

Devices acquiring events from this class are judged as follows in relation to these versions.

- When the major version is different, the data type is judged unmanageable and is no longer processed.
- When the major version is the same but the minor version is different, the data types are judged manageable and are thus processed.

When designing event information data types featuring a change in the minor version, it should be taken into account that some devices will access this class under the previous version specifications. Thus, data shall be defined so that this kind of device may acquire and process event information when making changes such a modified value range or increased data item options.

- Business ID

This property indicates the ID of the DR activating business.

- DR program type

This property indicates the type of DR program.

- Program ID

This property indicates the ID of the contracted program.

- Implementation date

This property indicates the date of implementation of an event in terms of the year (YYYY), month (MM) and day (DD).

- Event ID

This property indicates the event ID in two bytes allocated uniquely for each implementation date.

- Byte 1: Indicates an event number specifying an event on the day in question, using 0x01-0x09 (1-9). The initial value is 0x01 (1), increasing sequentially.
- Byte 2: Indicates the version count allocated upon renewal of each event number in Byte 1 above, using 0x01-0xFD (1-253). The initial value is 0x01 (1), increasing sequentially when the status changes.

○ Status

This property indicates the event status.

The code used differs according to the DR program type.

○ Start time

This property indicates the event start time in hours (hh) and minutes (mm).

○ Continuous time

This property indicates the continuous time of an event in minutes (mm).

○ Units of value 1, Units of value 2

This property indicates the units and scale of values. (*For details, see “Notes on Values” below.)

As the value to be assigned differs according to the DR program type, units will also differ according to the items assigned. The units for value 1 in category n shall be Units of value 1, and those for value 2 in category n shall be Units of value 2.

When controlling the storage battery and electric vehicle charger/discharger class in DLC, the following units are used.

- Discharging: “+” units used.
- Charging: “-” units used.

○ Number of categories

The number of time categories in an event. It shall be possible to divide event time into several time bands and assign a value for each.

○ Category (1-N) continuous time

This property indicates the continuous time of a given category in units of minutes 0x0001-0xFFFF (1-65535).

The category in question shall start from the end of the previous category (or in the case of category 1, the event start time), and the total of all category continuous times shall be equal.

○ Category (1-N) value 1, category (1-N) value 2

This property indicates the information inside a given category. (*For details, see “Notes on Values” below.)

When assigned in the notification ID designation property, if event information corresponding to the notification ID is not retained, the notification ID shall be the notification ID assigned in the notification ID designation property, and the number of categories shall be 0x01 (1). All others besides these shall respond with 0xFF. When assigned in the event information ID designation property, if event information corresponding to the event information ID is not retained, the number of categories shall be 0x01 (1). All others besides these shall respond with 0xFF.

***Notes on Values**

Values 1 and 2 shown below are stored in each DR program type. The definitions of values in each DR program shall not be determined as requirements for the DR event controller class, as this part is implemented by the DR activating business as a DR program.

Program type	Value 1			Value 2		
	Value	Unit	Mandatory	Value	Unit	Mandatory
CPP	Price information	0.01 yen/kWh, 0.01 yen/kWh, 0.0001 yen/kWh 0.0001 yen/kWh (If no units are set, set 0xFE. This may also be set independently by each business.)	Value: <input type="radio"/> Unit:-	Setting 0xFFFE	Setting 0xFE	None
PTR	Price information	0.01 yen/kWh, 0.01 yen/kWh, 0.0001 yen/kWh 0.0001 yen/kWh (If no units are set, 0xFE. This may also be set independently by each business.)	Value: <input type="radio"/> Unit: -	Baseline information	kWh, kW, Wh, W (If no units are set, 0xFE. This may also be set independently by each business.)	-
Power use limit	Contractual capacity	A, kWh, kW, Wh, W	<input type="radio"/>	Power use limit capacity	A, kWh, kW, Wh, W	<input type="radio"/>
DLC	Load adjustment amount	A, kWh, kW, Wh, W (Each of these has the pattern “+ : discharging” and “- : charging”.)	<input type="radio"/>	Setting 0xFFFE	Setting 0xFE	None
Power generation limit	Power generation limit value	%	<input type="radio"/>	Setting 0xFFFE	Setting 0xFE	None
Electricity forecast	Power supply-demand tightness (4 stages; if no value is set, 0xFFFE.)	Setting 0xFE	Value:- Unit:None	Expected maximum power usage	%	<input type="radio"/>
Level designation	Degree of power reduction request (0-3)	Setting 0xFE	Value: <input type="radio"/> Unit: None	Setting 0xFFFE	Setting 0xFE	None

(15) Confirm/opt information

Devices (other devices) and own-device applications that access this class shall use this property to set the confirm/opt information of an event. Participation or non-participation settings are only used for participation notification-type programs. Whether a program is the participation notification type or not depends on whether it has

been determined in advance by the DR activating business. It also depends on this being recognized in advance on the device side.

When the participation setting of confirm/opt information has been changed, it is recommended that a judgment be made as to whether devices (other devices) and own-device applications that access this class correspond to targeted devices. The participation setting should not be changed without taking this into account.

When using the event information ID to write (Set) or read (Get) data, devices (other devices) and own-device applications that access this class shall assign the notification ID, confirm/opt information data type, business ID, DR program type, program ID, implementation date, event ID, and the participation setting, in that order, when writing (Set) the participation setting. When the DR event controller receives the participation setting but the writing of the participation setting is judged to have failed before completion, it is recommended that the participation setting be returned to its status before the writing commenced. If information on the event information ID corresponding to the event information ID designation for devices (other devices) and own-device applications that access this class is not retained by the DR event controller, a response of “Set impossible” shall be returned.

When reading (Get), the DR event controller shall set the confirm/opt information designated for the event information ID designation property in the order of notification ID, confirm/opt information data type, business ID, DR program type, program ID, implementation date, event ID, and participation setting.

If no confirm/opt information has been set for the event information ID designation property, all responses shall be 0xFF.

○ Notification ID

A one-byte ID allocated uniquely to each piece of event information for control when retained by the relevant device.

○ Confirm/opt information data type

The confirm/opt information data type property indicates the combination of data on business ID, DR program type, program ID, implementation date, event ID, and participation setting in confirm/opt information. This property indicates the confirm/opt information data type in a major version and a minor version. In these specifications, the major version is fixed as “1” and the minor version as “0”.

If there are compatible (*) data changes in future, such as a change in the specifications of this class, a change in the value range of the confirm/opt information, or an increase in data item options, the minor version will be increased. If there is no

compatibility, such as a repositioning due to the addition or deletion of data items, or differences in the meaning of the items themselves, the major version will be increased.

(*) Compatible: Means that the specifications of a new version incorporate those of a previous version. Devices writing or reading confirm/opt information to or from this class are judged as follows in relation to these versions.

- When the major version is different, the data type is judged unmanageable and is not acquired.
- When the major version is the same but the minor version is different, the data types are judged manageable and are thus acquired and processed.

With regard to writing, data of any version may be written from the device side, but if the data type cannot be processed by this class, a response of “Processing impossible” shall be returned.

Business ID

This property indicates the ID of the DR activating business.

DR program type

This property indicates the type of DR program.

Program ID

This property indicates the ID (a control number determined for each DR activating business) of the contracted program.

Implementation date

This property indicates the date of implementation of an event in terms of the year (YYYY), month (MM) and day (DD).

Event ID

This property indicates the event ID in two bytes allocated uniquely for each implementation date.

- Byte 1: Indicates the event number specifying an event on the day in question, using 0x01-0x09 (1-9). The initial value is 0x01 (1), increasing sequentially.
- Byte 2: Indicates the version count allocated upon renewal of each event number in Byte 1 above, using 0x01-0xFD (1-253). The initial value is 0x01 (1), increasing sequentially.

Participation setting

This property designates the settings for participation or non-participation in an event.

(16) Confirm/opt information status

The DR event controller sets the recognition status of confirm/opt information in the DR activating business.

This property indicates the status of confirm/opt information designated in the event information ID property in the order of participation setting acceptance status and event participation status when reading (Get).

When no confirm/opt information status has been set in the event information ID designation property, all responses shall be 0xFF.

○ Participation setting acceptance status

This property indicates the response status of the DR activating business to the transmission of confirm/opt information.

It is recommended that INF be used to notify devices of a change in this property, in timing with a response from the DR activating business.

○ Event participation status

This property indicates the status of end-user participation in an event in the DR activating business.

Supplementary explanation

(A) Terms and abbreviations

The terms used when explaining this class shall be explained below.

No.	Term	Explanation
1	DR event controller	A controller that sends and receives event information on demand-response (DR) between DR activating businesses and end-users. Incorporates DR event controller object.
2	Power use limit	A method of demand-response for requesting the upper limit of power usable within an end-user.
3	Power generation limit	A method of demand-response for requesting a reduction of power generation (e.g. photovoltaic or wind power generation) by the end-user.
4	Electricity forecast	The supply-demand tightness projected for the power grid as a whole (degree tightness of power demand compared to power supply).
5	DR program	The content of demand-response implementation contracted between DR activating businesses and end-users.
7	Event, DR event	Demand-response information notified by DR activating businesses to end-users. Includes information on activation of demand-response (e.g. dates and time bands) and information on cancellations.
8	OPT information	Information on the end-user's intention to participate and the act of participation in an event in demand-response. Options include

		“participation” and “non-participation”.
9	OPT IN	In this class, this means “participation” in a demand-response event.
10	OPT OUT	In this class, this means “non-participation” in a demand-response event.
11	Notification ID	A serial number identifier assigned by the DR event controller to events received from the DR activating business by the DR event controller. This is used to make each event uniquely identifiable between the DR event controller and a device inside an end-user when the device acquires an event. Note that, since this is assigned independently by the DR event controller of each end-user, the notification ID assigned to a given event for each end-user may not always match, even the same event is received from the DR activating business.
12	Event ID	An identifier assigned to each event by the DR activating business. If the event is activated by the same DR activating business, this identifier can be used to uniquely identify each event between the DR activating business and the device. If the event is the same, this event ID will be the same for all end-users.
13	Event information ID	An identifier consisting of the “Business ID”, “Program ID”, “Implementation date” and “Event ID”. The DR event controller needs to judge which OPT information sent from an event device corresponds to the event. Therefore, when the device that received the event sends OPT information relevant to that event to the DR event controller, this information included in the event is used to create an event information ID and respond by adding it to OPT information.

(B) Basic sequence

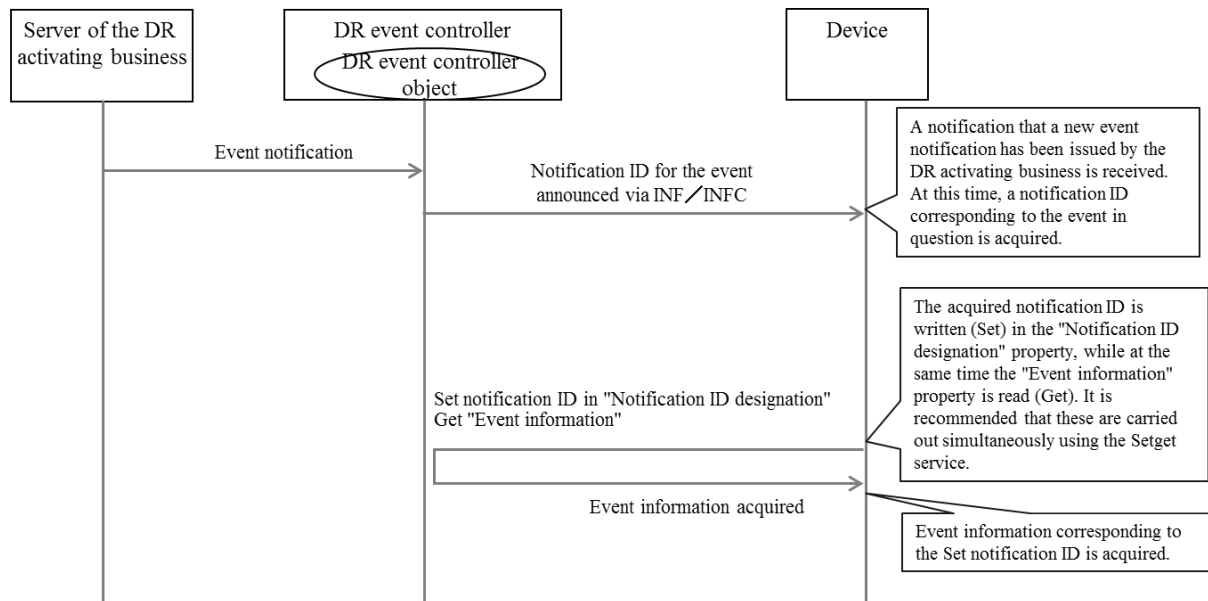
The basic sequence of this class is explained below.

In the sequence prescribed for this class, the assumption is that events will be passed from the server of the DR activating business to the DR event controller by some means or other. This could be either by an inquiry from the DR event controller to the server of the DR activating business, or by the server of the DR activating business sending to the DR event controller. Which method is adopted is subject to specifications outside the domain, and is thus outside the scope of requirements for this class.

If the DR event controller is started up after activation of the DR, the event cannot be received. In this case, there shall be no particular provision as to whether the DR activating business should re-send the event or not, since it is outside the scope of requirements for this class.

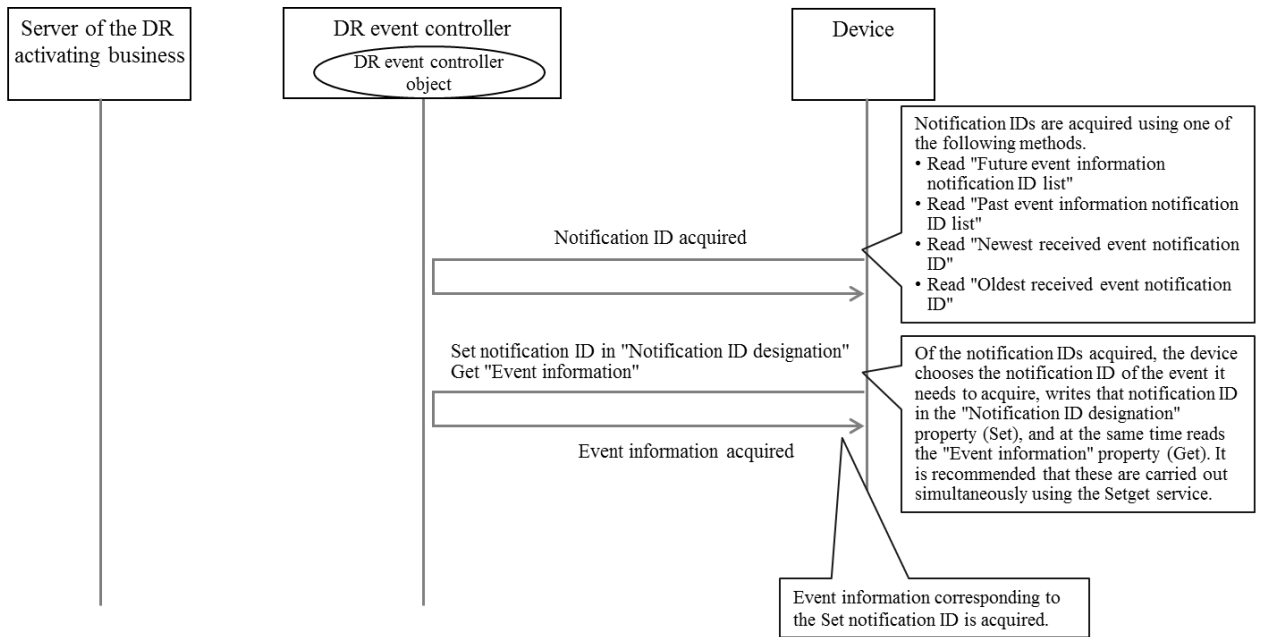
(i) Sequence for devices to acquire event information synchronously

The sequence whereby devices synchronously acquire events notified from the server of the DR activating business is shown below.



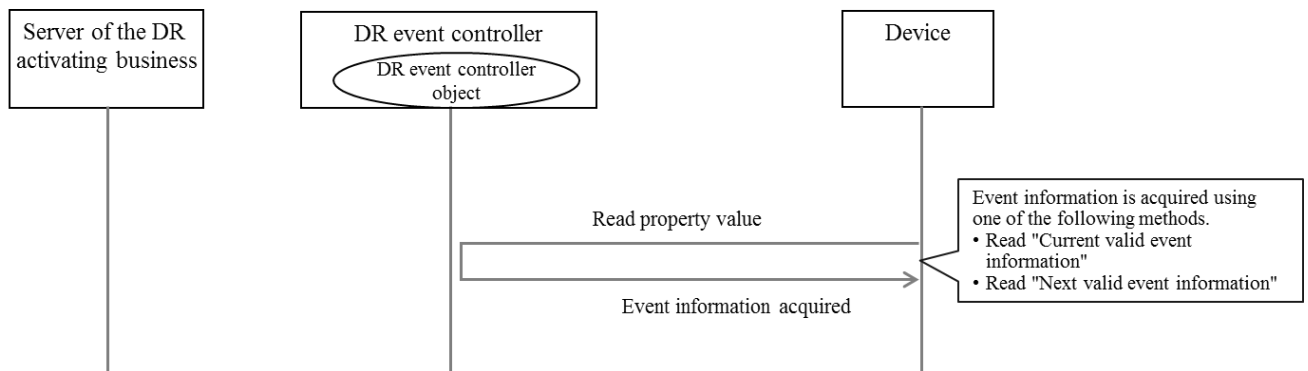
(ii) Sequence for devices to acquire event information asynchronously

The sequence whereby the DR event controller retains events notified from the server of the DR activating business and devices acquire event information asynchronously in relation to that notification is shown below.



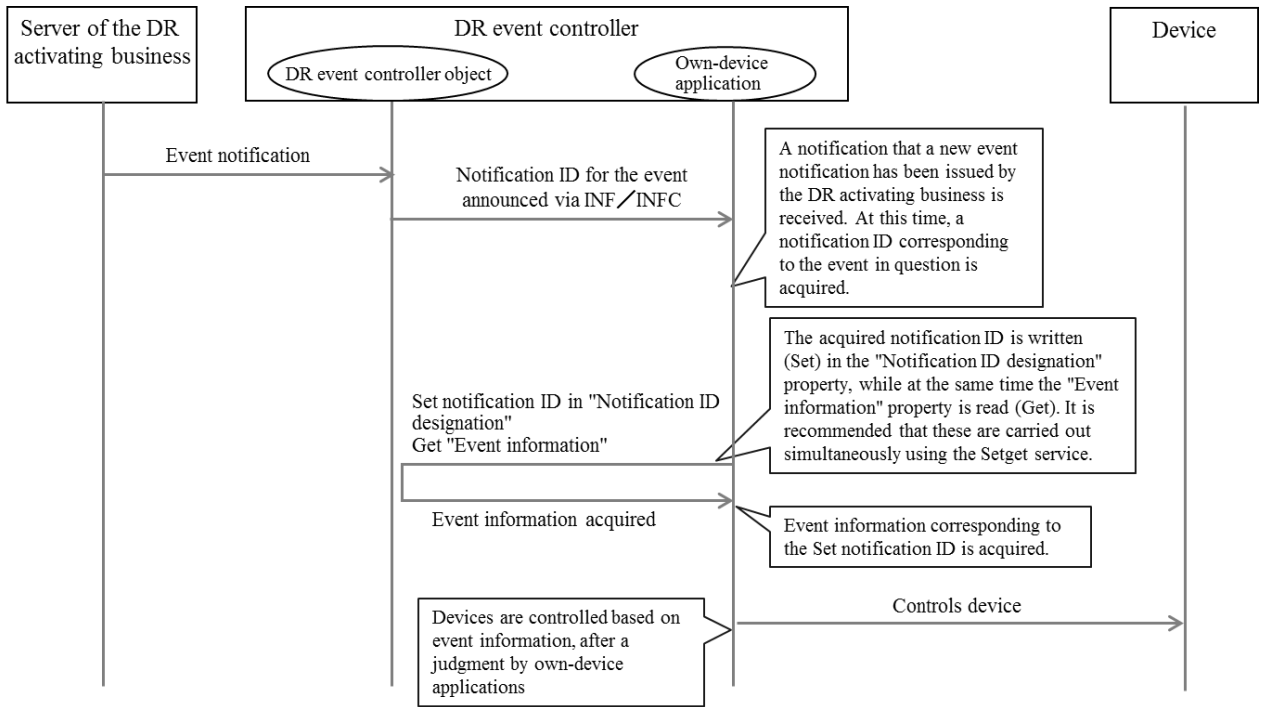
(iii) Sequence for devices to acquire current or next event information

The sequence whereby the DR event controller retains events notified from the server of the DR activating business and devices acquire the current or next event information is shown below. In this case, devices may acquire event information without acquiring or designating a notification ID.



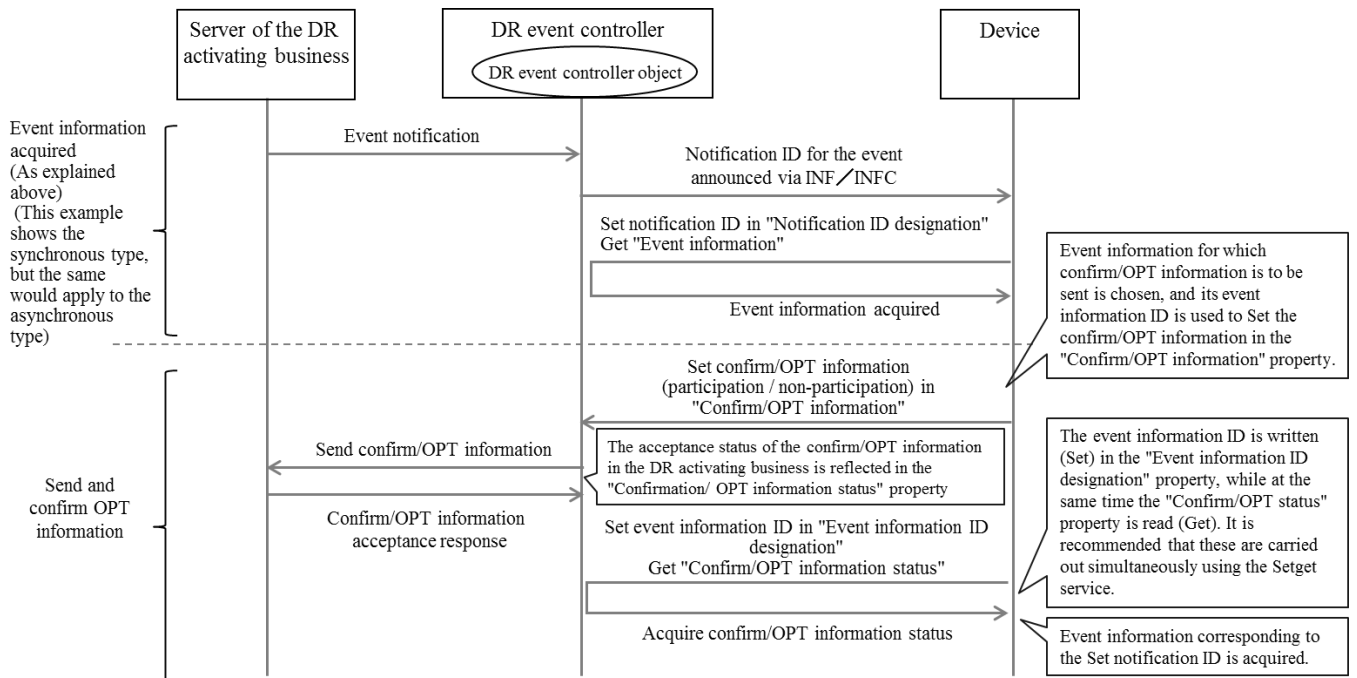
(iv) Sequence for DR event controllers to receive events synchronously and control devices

The sequence whereby the DR event controller synchronously acquires retains events notified from the server of the DR activating business and controls devices based on the content is shown below.



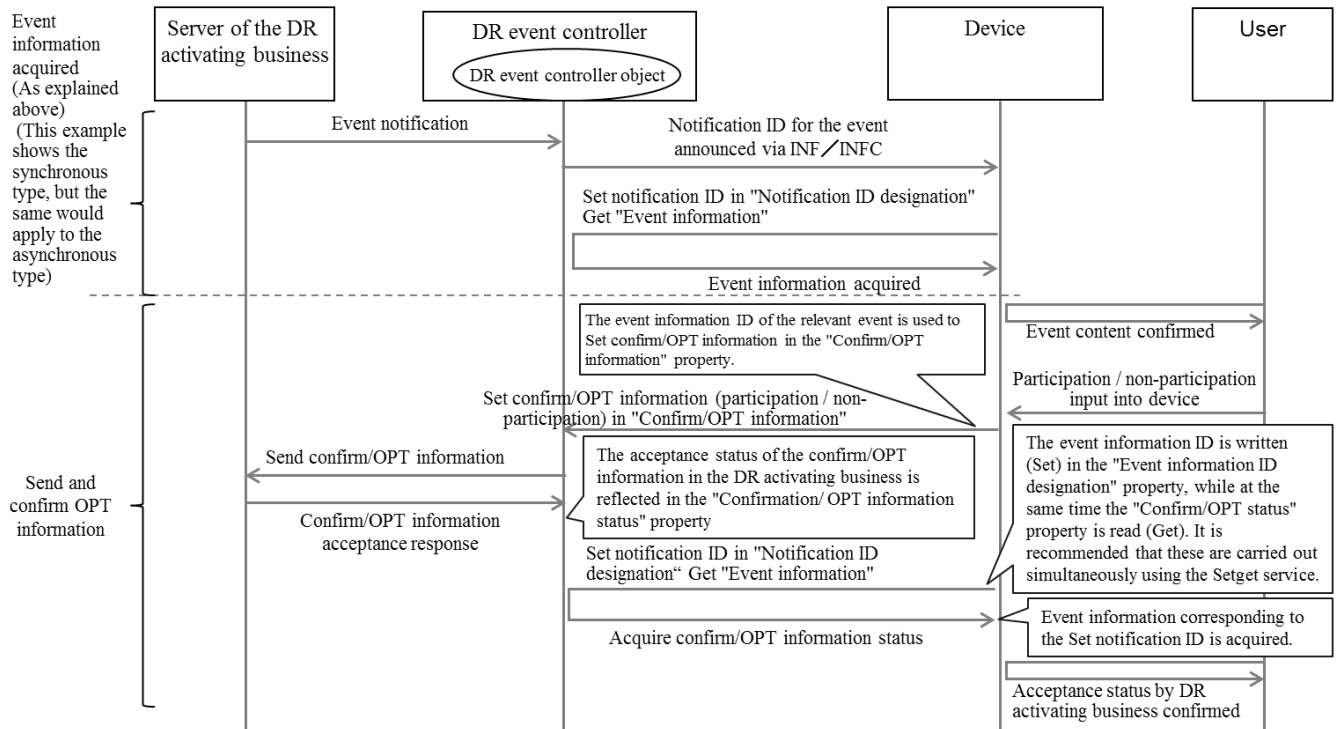
(v) Sequence for sending confirm/opt information from devices

The sequence whereby confirm/opt information is sent from a device and the device subsequently confirms how that confirm/opt information has been accepted by the server of the DR activating business is shown below.



(vi) Sequence for sending confirm/opt information from users

The sequence whereby confirm/opt information on an event is sent from a user and the user subsequently confirms how that confirm/opt information has been accepted by the server of the DR activating business is shown below.



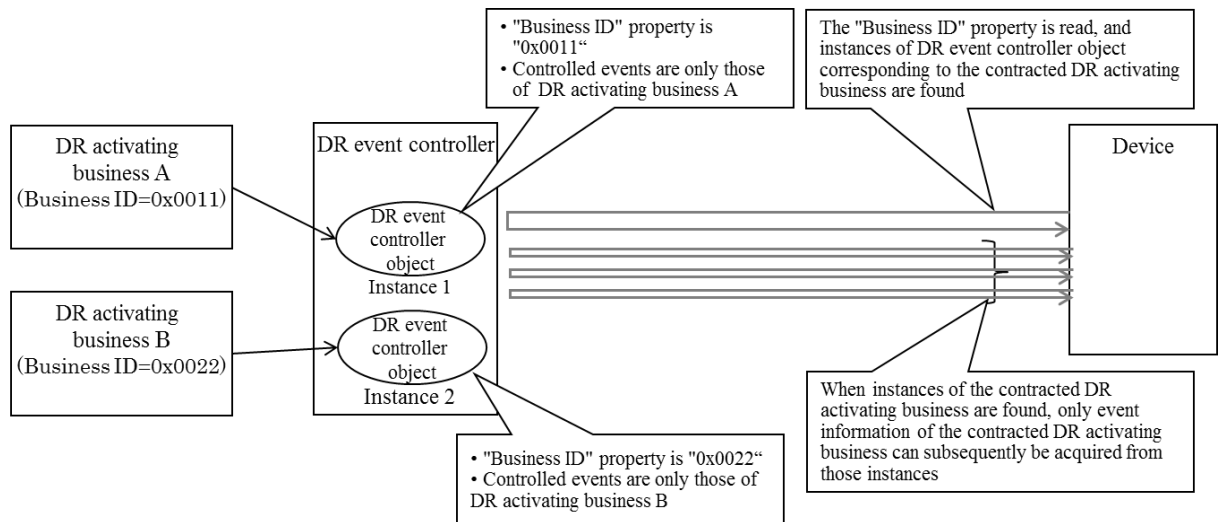
(C) Instance generation units

Instances shall be generated for each business ID, each DR program type, and each program ID. That is, when the business ID, DR program type, or program ID of the DR activating business are different, separate instances must be generated each time. Or to put it another way, it is not possible for the same instance to be shared by different businesses, different DR program types, or different programs.

(i) If the DR event controller exchanges event information with more than one DR activating business

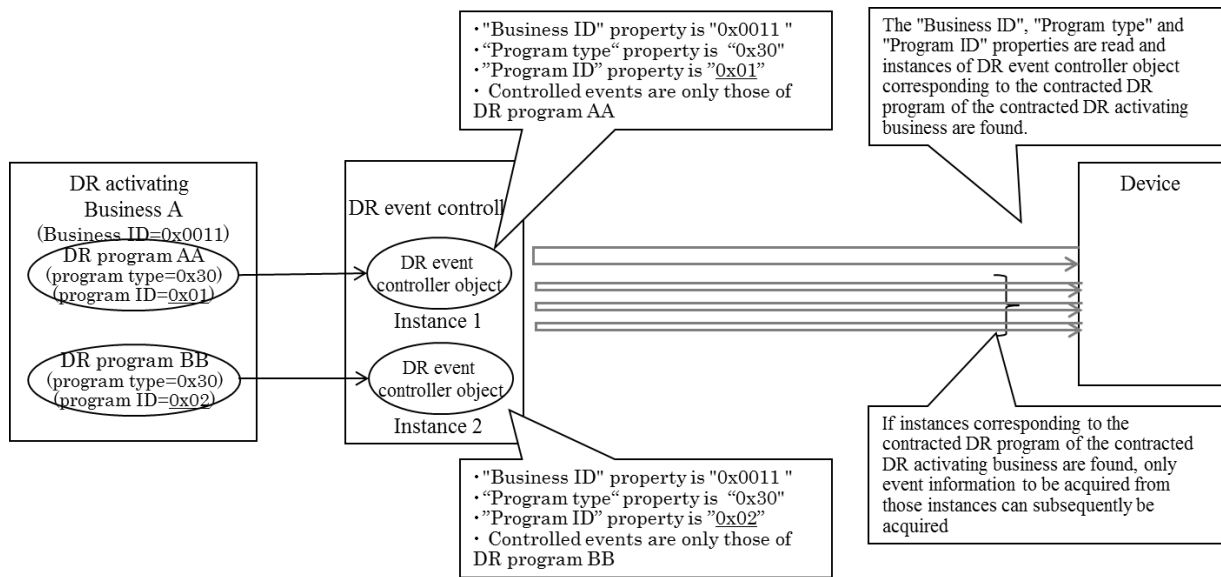
In this case, instances corresponding to each DR activating business shall be incorporated in the DR event controller. As shown in the figure below, devices that acquire event information read the "Business ID" property of each instance and search for instances corresponding to the DR activating business that needs to

acquire event information. Devices that acquire event information should already know the business ID of the DR activating business that needs to acquire the information.



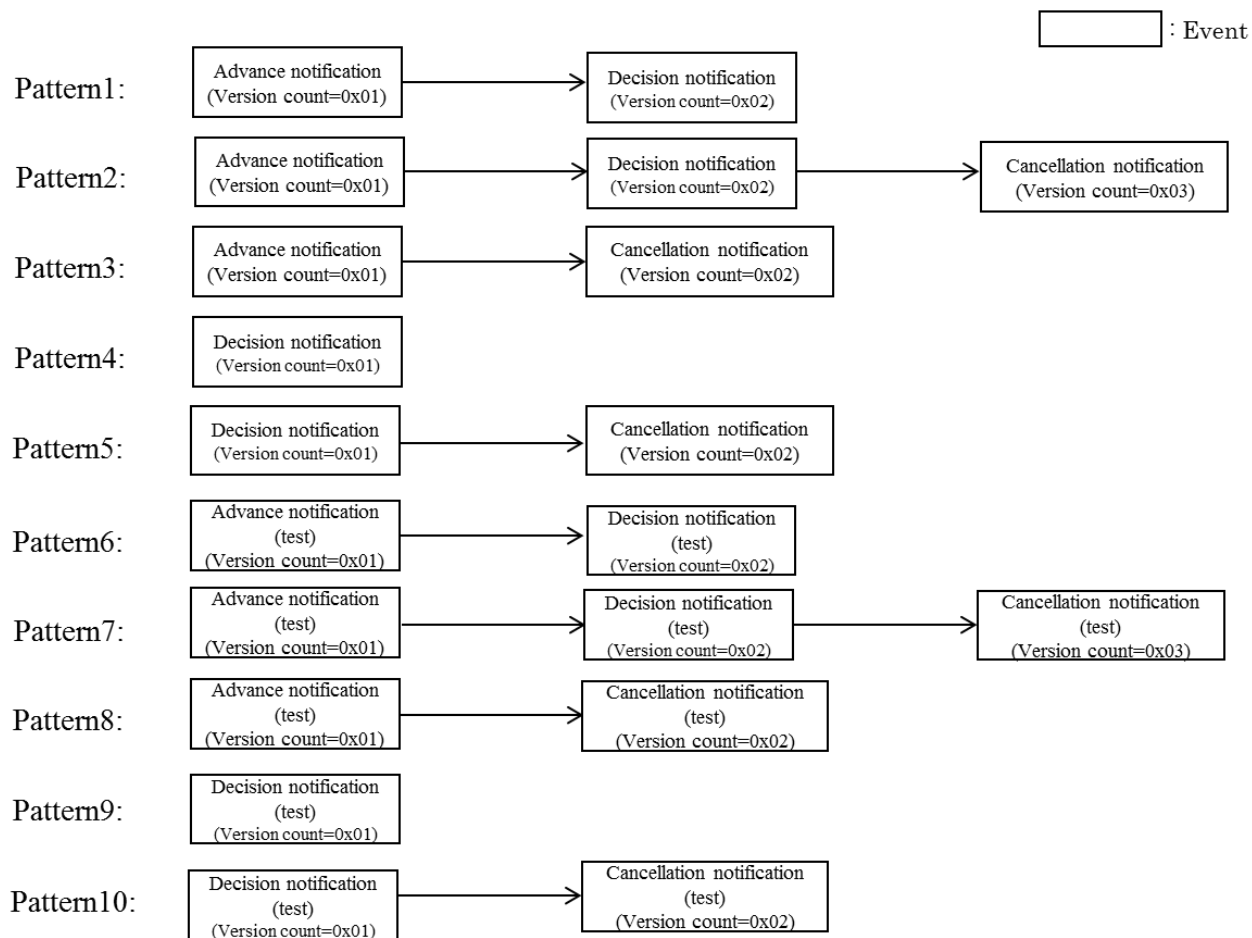
(ii) If the DR event controller exchanges events in more than one DR program with the DR activating business

In this case, instances corresponding to each DR program shall be incorporated in the DR event controller. As shown in the figure below, devices that acquire event information read the “Business ID” property, “Program type” property, and “Program ID” property of each instance and search for instances corresponding to the DR program that needs to acquire event information. Devices that acquire event information should already know the business ID, program type, and program ID of the DR program that needs to acquire the information.

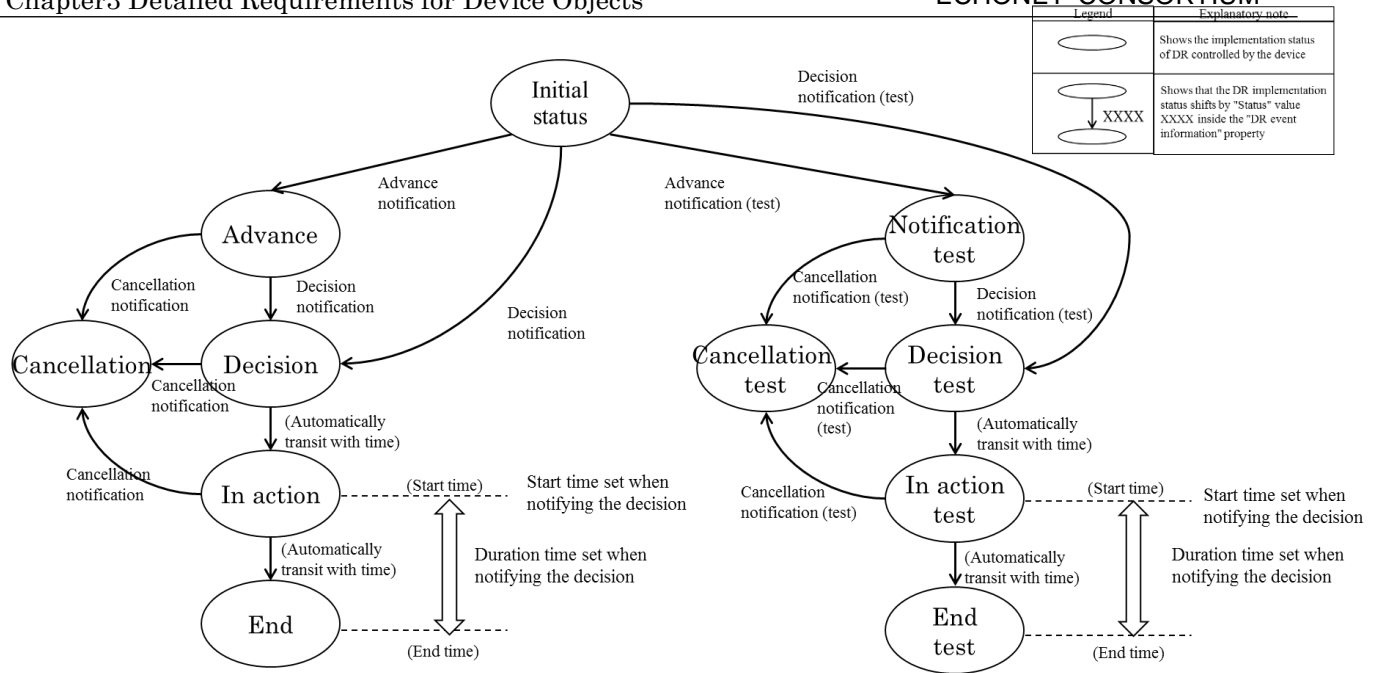


(D) DR event status (if the program type is CPP, PTR, or Level designation)

The DR event (event) status takes one of the values of “Advance notification” (0x30), “Decision notification” (0x31), “Cancellation notification” (0x32), “Advance notification (test)” (0x40), “Decision notification (test)” (0x41), or “Cancellation notification (test)” (0x42). As shown below, there are 10 patterns whereby events with the same start time are sent from the DR activating business to the DR event controller. Events with the same start time are allocated the same value for the “Event number” of the “Event ID” inside the “Event information” property. Meanwhile, the “Version count” of the “Event ID” inside the “Event information” property (initial value 0x01) is incremented gradually in line with transitions in the patterns.

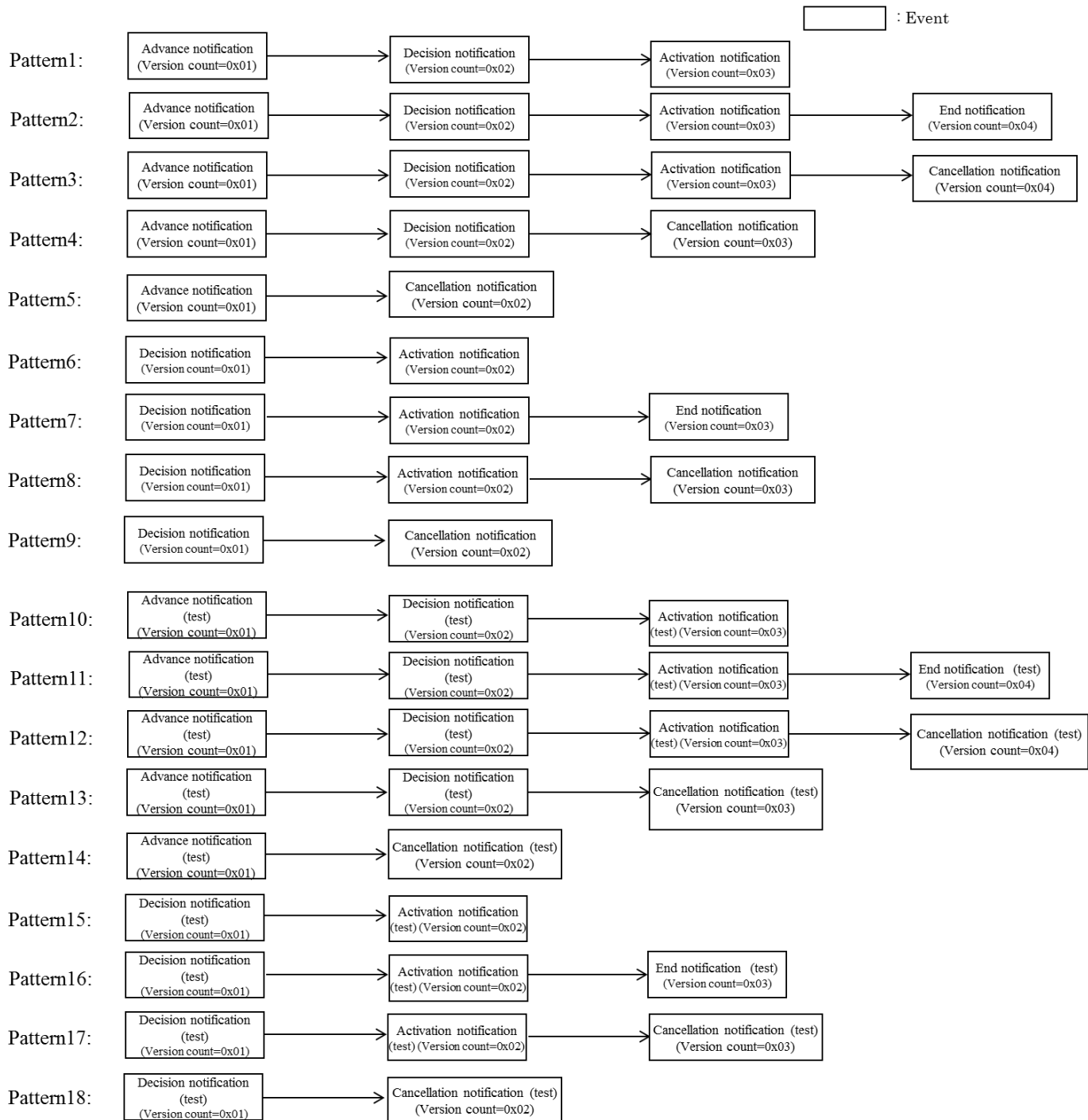


Therefore, the implementation status of DR with the same start time controlled by the device will go through the status transitions shown below.

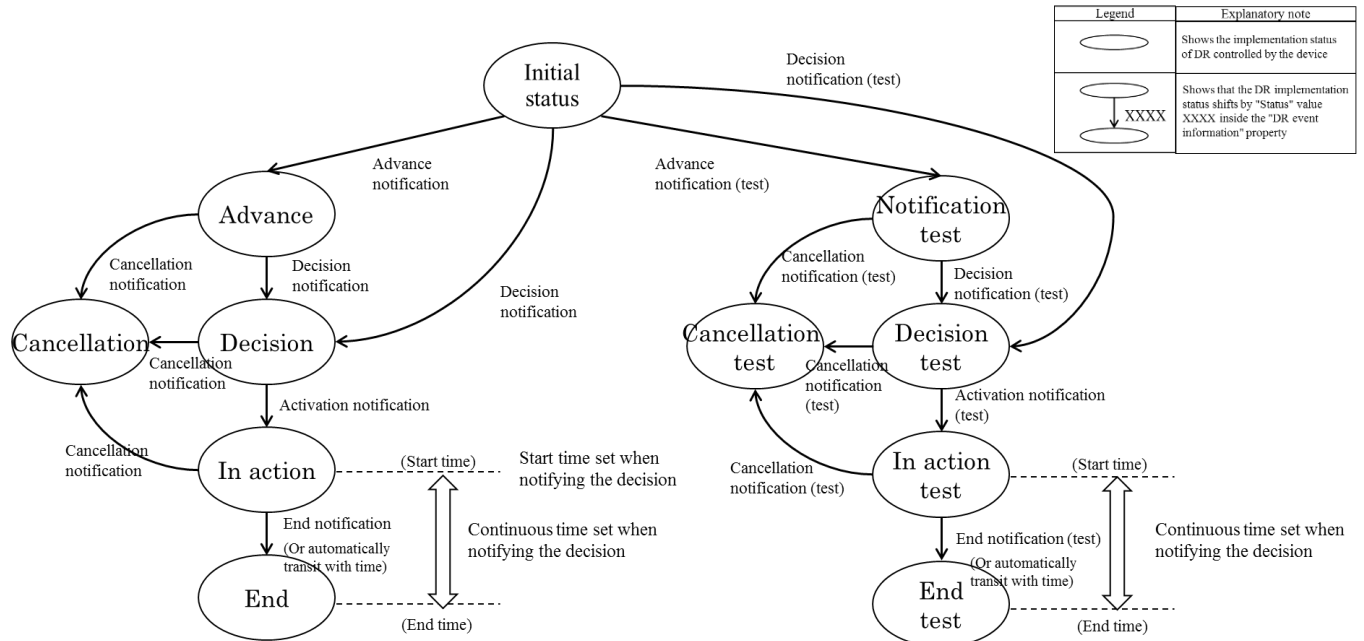


(E) DR event status (if the program type is Power use limit, Power generation limit, or DLC)

The DR event (event) status takes one of the values of “Advance notification” (0x30), “Decision notification” (0x31), “Cancellation notification” (0x32), “Activation notification” (0x50), “End notification” (0x51), “Advance notification (test)” (0x40), “Decision notification (test)” (0x41), “Cancellation notification (test)” (0x42), “Activation notification (test)” (0x60), or “End notification (test)” (0x61). As shown below, there are 18 patterns whereby events with the same start time are sent from the DR activating business to the DR event controller. Events with the same start time are allocated the same value for the “Event number” of the “Event ID” inside the “Event information” property. Meanwhile, the “Version count” of the “Event ID” inside the “Event information” property (initial value 0x01) is incremented gradually in line with transitions in the patterns.



Therefore, the implementation status of DR with the same start time controlled by the device will go through the status transitions shown below.



In DR program types with activation notification and end notification, the start time and end time will be handled as follows.

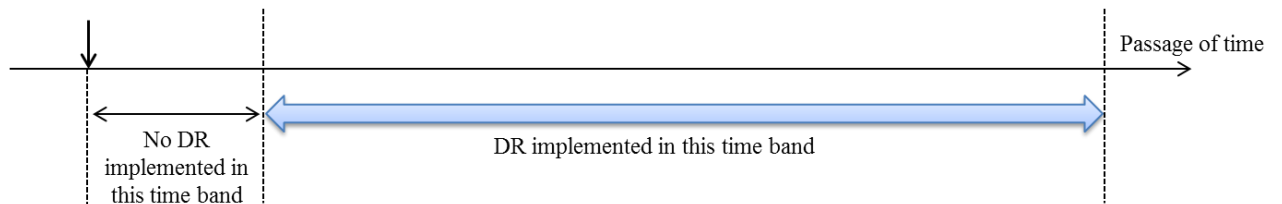
<Start time>

① If the activation notification is received earlier than the start time, DR shall be started at the start time.

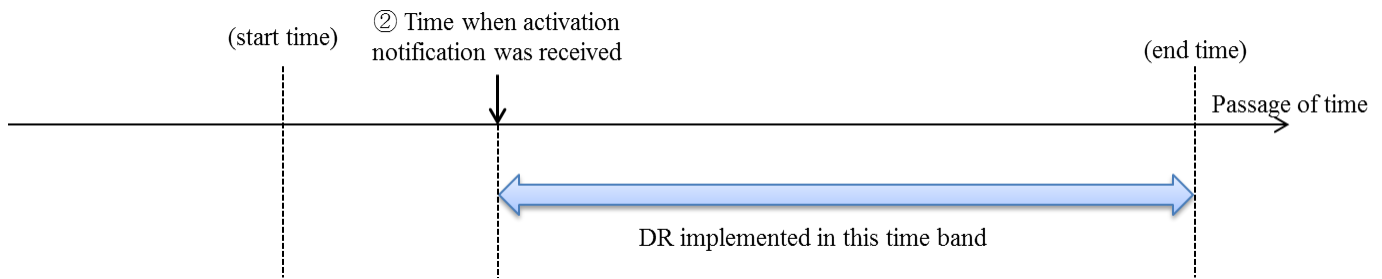
① Time when activation notification was received

(start time)

(end time)

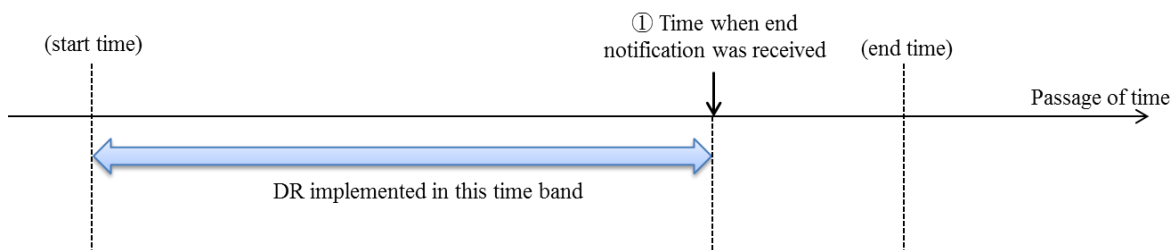


② If the activation notification is received after the start time, DR shall be started immediately after the activation notification is received (however, if the end time has already passed, DR shall not be implemented).

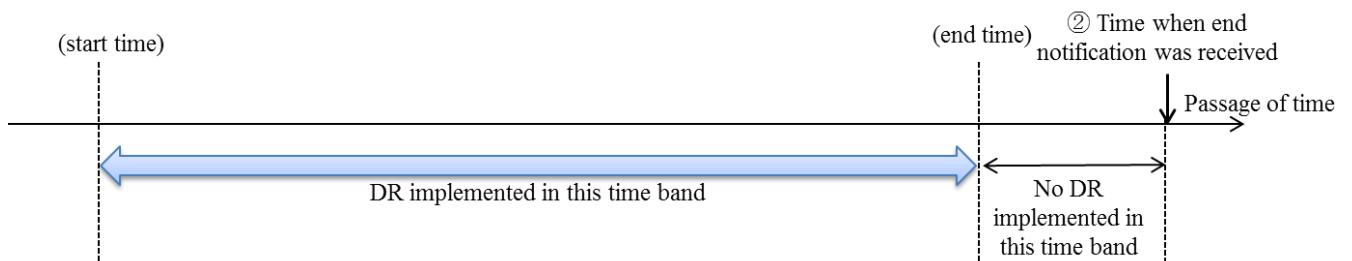


<End time>

① If the end notification is received earlier than the end time, DR shall be finished immediately after the end notification is received.



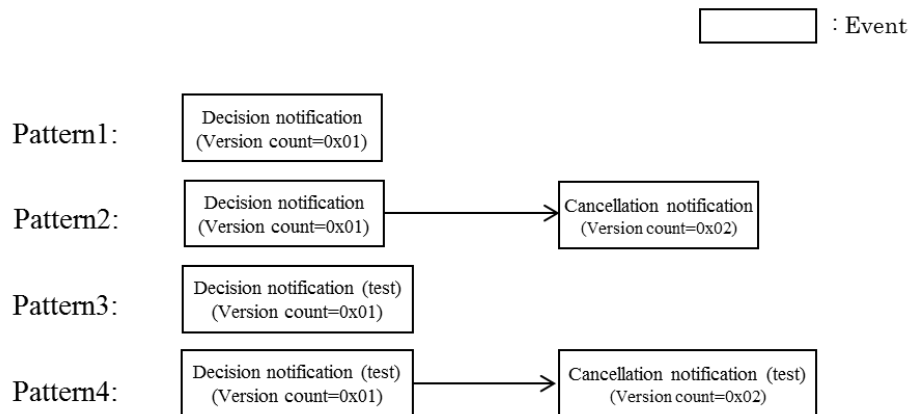
② If no end notification has arrived by the end time, DR shall be finished at the end time.



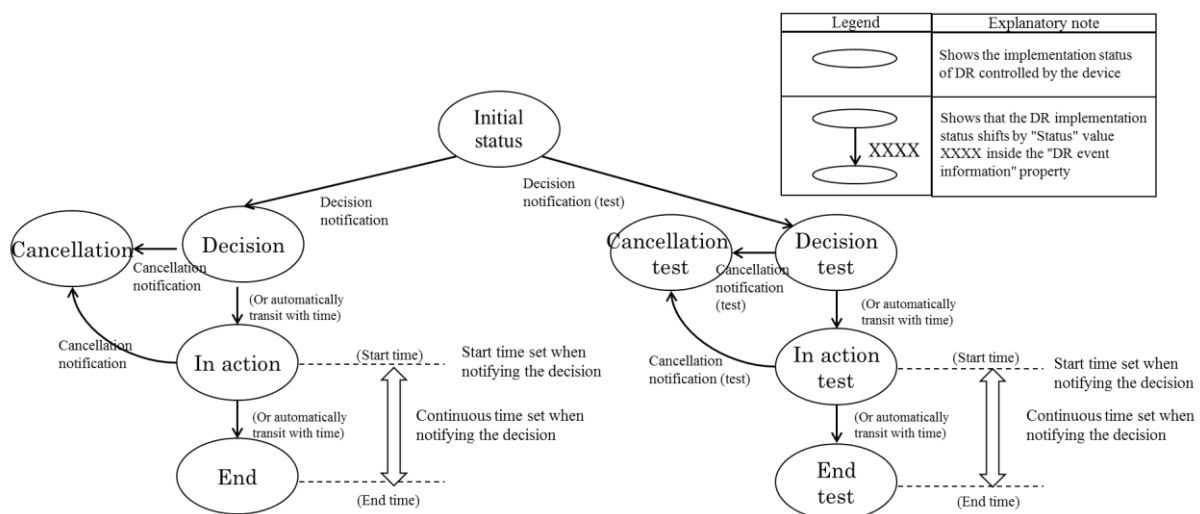
(F) DR event status (if the program type is Electricity forecast)

The DR event (event) status takes one of the values of “Advance notification” (0x30), “Decision notification” (0x31), “Cancellation notification” (0x32), “Advance notification (test)” (0x40), “Decision notification (test)” (0x41), or “Cancellation notification (test)” (0x42). As shown below, there are 4 patterns whereby events with the same start time are sent from the DR activating business to the DR event controller.

Events with the same start time are allocated the same value for the “Event number” of the “Event ID” inside the “Event information” property. Meanwhile, the “Version count” of the “Event ID” inside the “Event information” property (initial value 0x01) is incremented gradually in line with transitions in the patterns.



Therefore, the implementation status of DR with the same start time controlled by the device will go through the status transitions shown below.



(G) Specific examples of event information acquisition

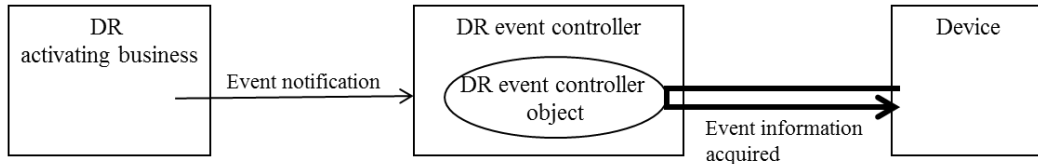
The method whereby devices (other devices) or own-device applications acquire event information will be explained below with the aid of specific examples.

(i) Devices and applications that acquire event information

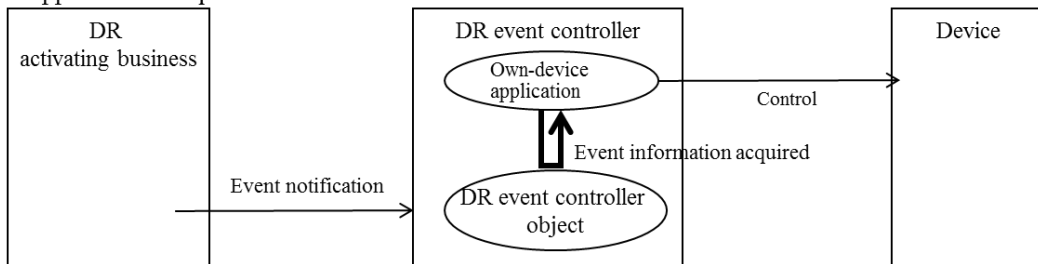
Event information is acquired either by devices (other devices) or own-device

applications, as shown below.

<Devices acquire event information.>



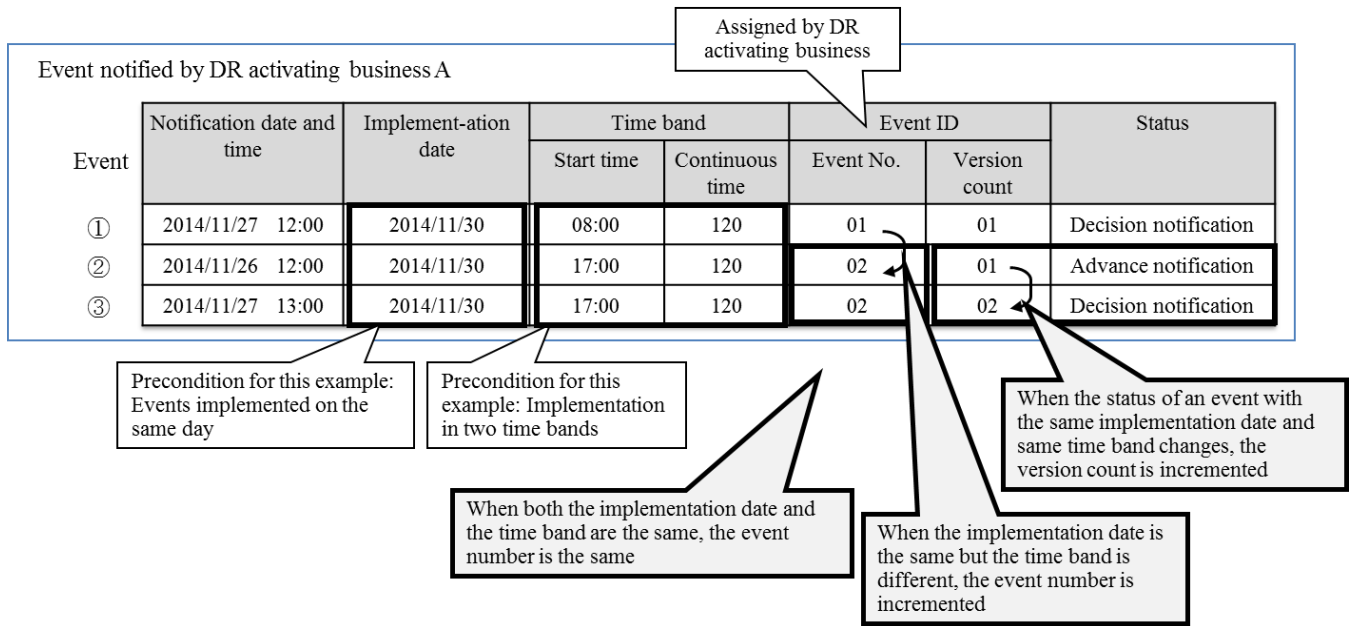
<Applications acquire event information.>



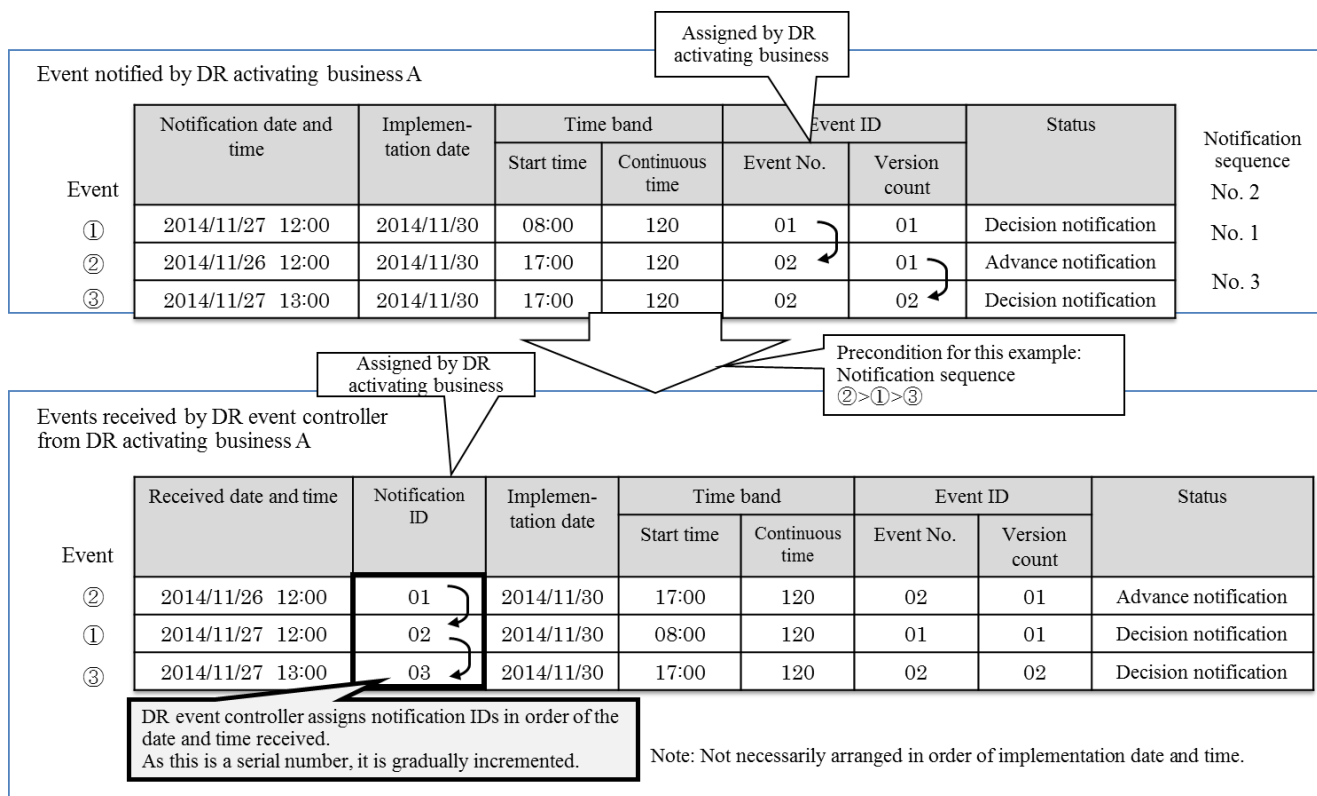
(ii) Assigning event IDs and notification IDs

DR event controllers use event IDs and notification IDs to control event information. The event ID is an identifier assigned to each item of event information by the DR activating business that issues that event information. It is used by devices (other devices) or own-device applications to identify event information issued from the DR activating business. Meanwhile, the notification ID is an identifier assigned to each item of event information by the DR event controller. It is used as a serial number enabling devices (other devices) or own-device applications to acquire event information from DR event controller object without any omissions.

A specific example of event ID assignment is shown below. The figure shows three events distributed by the DR activating business (①, ② and ③). In this example, ①, ② and ③ have the same implementation date, while ② and ③ also have the same time band but a different status. The event ID comprises the event number and the version count. The event number is assigned as uniquely showing DR implementation time bands for each implementation date. The version count is assigned to identify each event with the same implementation date and the same time band. In the case of the example below, the event number of ① is “01”, and those of ② and ③ are incremented from this event number to “02”. Again, the version count in ② is “01”, which in ③ is incremented to “02”.



A specific example of notification ID assignment is shown below. This figure shows an example in which the three events controlled by the DR activating business in the figure above (①, ② and ③) are distributed in the sequence ②⇒①⇒③ by the DR event controller. The DR event controller assigns notification IDs to events in the order in which they are received. In the case of the example below, events are received in the sequence ②⇒①⇒③, and thus the notification ID will be “01” for event ②, “02” for event ①, and “03” for event ③. Note that, as notification IDs are assigned in the order in which events are received by the DR event controller, they are not always allocated in order of implementation date or time band.



(iii) Cases of event information acquisition usage

Devices (other devices) or own-device applications that acquire event information may basically acquire event information in the order distributed by the DR activating business without any omissions, by acquiring event information from DR event controller object in the order of notification IDs. However, since devices (other devices) or own-device applications do not necessarily need all of the event information retained by the DR event controller, specifications in the DR event controller class are set to enable devices (other devices) or own-device applications to acquire the desired event information efficiently.

The table below shows six usage cases for the acquisition of event information and eight properties for which DR event controller class specifications are prepared for this purpose.

No.	Usage Case	Explanation
UC1	Acquiring information on the event currently in progress	Of event IDs with the event ID status "In progress", acquiring information on decision notification events. Single events only. *1

UC2	Acquiring information on the event due to be implemented next	Of event IDs with the event ID status "Advance notice", acquiring information on decision notification and advance notification events. Single events only. *1
UC3	Acquiring information on all events retained by the DR event controller class	Acquiring all event information retained by the DR event controller class. *2
UC4	Acquiring event information not yet acquired	Of all event information retained by the DR event controller class, acquiring information on events not yet acquired. *2
UC5	Acquiring information on past events	Of all event information retained by the DR event controller class, acquiring information on events with an end time before the current time. *2
UC6	Acquiring information on events due to be implemented in future	Of all event information retained by the DR event controller class, acquiring information on events with a start time earlier than the current time. *2

*1 Within a DR program, events cannot be implemented in parallel.

*2 Including canceled events.

Property name	Detailed data items
Operation status	
Business ID	
DR Program type	
Program ID	
Current valid event information	
Next valid event information	
Future event information notification ID list	List count
	Notification ID list
Past event information notification ID list	List count
	Notification ID list
Newest received event notification ID	
Oldest received event notification ID	
Notification ID designation	
Event information ID designation	
Target device information list	
Event information	
Confirm/OPT information	
Confirm/OPT information status	

These eight properties are used to supply devices (other devices) and own-device applications with information for efficiently acquiring event information retained by the DR event controller.

(iv) Preconditions for specific examples

Event information controlled by the DR event controller is assumed to be as shown below.

Notification ID	Implementation date	Remarks
40	7/6	Oldest value of notification ID
41	9/1	
42	7/5	
43	7/7	
44	8/11	
45	7/25	
46	8/4	
47	7/31	
48	8/31	Newest value of notification ID

Preconditions for DR event controller object

- There are 9 items of event information retained by DR event controller object (assigned notification IDs 40-48, respectively)
 - The event received furthest in the past has notification ID = 40
 - The event received most recently has notification ID = 48
- Current date is 8/1
 - Events with an implementation date before 8/1 are past events that have already been implemented (notification ID = 40, 42, 43, 45, 47)
 Applies to
 - Events with an implementation date after 8/1 are future events due to be implemented from now on (notification ID = 41, 44, 46, 48)
 Applies to

(v) UC1: Acquiring information on the DR event currently in progress

These are cases of usage seeking to acquire information on the event being implemented at the current time.

In such cases, only the desired event information may be acquired by reading the “Current valid event information” property.

In the specific example shown in (iv) above, there is no relevant event information, and therefore a value of “0x00” is returned.

Property name	Detailed data items
Operation status	
Business ID	
DR Program type	
Program ID	
Current valid event information	
Next valid event information	
Future event information notification ID list	List count Notification ID list
Past event information notification ID list	List count Notification ID list
Newest received event notification ID	
Oldest received event notification ID	
Notification ID designation	
Event information ID designation	
Target device information list	
Event information	
Confirm/OPT information	
Confirm/OPT information status	

Usage case:
 Acquiring information on events valid at the current time.

Acquisition method:
 Read "Current valid event information" property.

Acquisition result:

- If there are any valid events at the current time, event information is returned.
- If there is no valid event at the current time, 0x00 is returned. (In other words, by reading this property, it can be confirmed whether or not there are currently valid events.)

Notes:

- This case targets events subject to a "Decision notification" or "Activation notification". Events subject to an "Advance notification" or "Cancellation notification" are not included.
- In the same DR program, different events in the same time band are not valid.
- Opted-out events are included.

(vi) UC2: Acquiring information on the DR event due to be implemented next

These are cases of usage seeking to acquire information on the next valid event after

the current time.

In such cases, only the desired event information may be acquired by reading the “Next valid event information” property.

In the specific example shown in (iv) above, the event with the notification ID = 46 due to be implemented on August 4 could fall into this category. This event information is returned if the event status is one of “Decision notification”, “Decision notification (test)”, “Activation notification” or “Activation notification (test)”. Events subject to “Advance notification”, “Advance notification (test)”, “Cancellation notification” or “Cancellation notification (test)” could correspond to the next event on August 11. Thus, the respective status is confirmed and the response content decided in the same way.

Property name	Detailed data items
Operation status	
Business ID	
DR Program type	
Program ID	
Current valid event information	
Next valid event information	
Future event information notification ID list	List count
	Notification ID list
Past event information notification ID list	List count
	Notification ID list
Newest received event notification ID	
Oldest received event notification ID	
Notification ID designation	
Event information ID designation	
Target device information list	
Event information	
Confirm/OPT information	
Confirm/OPT information status	

Usage case:
 Acquiring information on events valid at the next time.

Acquisition method:
 Read “Next valid event information” property.

Acquisition result:

- If a future implementation date and time band has been designated and there is a next valid event, that event information is returned.
- If there is no valid event at the future time, 0x00 is returned. (In other words, by reading this property, it can be confirmed whether or not there are future valid events.)

Notes:

- This case targets events subject to a "Decision notification" or "Activation notification". Events subject to an "Advance notification" or "Cancellation notification" are not included.
- In the same DR program, different events in the same time band are not valid.
- Opted-out events are included.

(vii)UC3: Acquiring information on all events

These are cases of usage aimed at acquiring all event information retained by DR event controller object.

The notification IDs of all events retained by DR event controller object can be known by reading the “Newest received event notification ID” property and the “Oldest received event notification ID” property, respectively. Thereafter, the event information of all acquired notification IDs may be read from the “Oldest received event notification ID” to the “Newest received event notification ID”. Specifically, the notification ID to be acquired is written in the “Notification ID designation” property, immediately after which the “Event information” property is read. (It is recommended that the SetGet service be used to process both properties in a single

message.)

Property name	Detailed data items
Operation status	
Business ID	
DR Program type	
Program ID	
Current valid event information	
Next valid event information	
Future event information notification ID list	List count
	Notification ID list
Past event information notification ID list	List count
	Notification ID list
Newest received event notification ID	
Oldest received event notification ID	
Notification ID designation	
Event information ID designation	
Target device information list	
Event information	
Confirm/OPT information	
Confirm/OPT information status	

Usage case:
 Acquiring all event information retained by DR event controller object.

Acquisition method:

- Read the “Newest received event notification ID” property and the “Oldest received event notification ID” property, respectively.
- Read the event information of all acquired notification IDs from the “Oldest received event notification ID” to the “Newest received event notification ID”.
 Specifically, the notification ID to be acquired is written in the “Notification ID designation” property, immediately after which the “Event information” property is read. (It is recommended that the SetGet service be used to process both properties in a single message.)

Acquisition result:

- By applying the above process sequentially, all event information can be acquired.

Notes:

- The value range of the notification ID should be taken into account. After it has reached the upper limit, the minimum value of 0x01 is assigned to the notification ID.

In the specific example shown in (iv) above, the “Oldest received event notification ID” is “40” and the “Newest received event notification ID” is “48”. Therefore, the respective event information with notification IDs of 40, 41, 42, 43, 44, 45, 46, 47 and 48 may be read.

Notification ID	Implementation date	Remarks
40	7/6	Oldest value of notification ID
41	9/1	
42	7/5	
43	7/7	
44	8/11	
45	7/25	
46	8/4	
47	7/31	
48	8/31	Newest value of notification ID

By using the "Notification ID designation" to designate event information ranging from the "Oldest received event notification ID" (= 40) to the "Newest received event notification ID" (= 48), all event information may be acquired.

Acquisition target

(viii) UC4: Acquiring event information not yet acquired

These are cases of usage aimed at acquiring event information not yet acquired by devices (other devices) or own-device applications.

The “Newest received event notification ID” property is read, and the notification ID thus acquired is compared with the ID controlled as the most recent notification ID by devices (other devices) or own-device applications themselves (*1). If the values are the same, there is no unacquired event information. If the values are different, there is unacquired event information, and so all notification IDs from the next value after *1 to the “Oldest received event notification ID” should be read in sequence. Specifically, the notification ID to be acquired is written in the “Notification ID designation” property, immediately after which the “Event information” property is read. (It is recommended that the SetGet service be used to process both properties in a single message.)

Property name	Detailed data items
Operation status	
Business ID	
DR Program type	
Program ID	
Current valid event information	
Next valid event information	
Future event information notification ID list	List count
	Notification ID list
Past event information notification ID list	List count
	Notification ID list
Newest received event notification ID	
Oldest received event notification ID	
Notification ID designation	
Event information ID designation	
Target device information list	
Event information	
Confirm/OPT information	
Confirm/OPT information status	

Usage case:
 Acquiring event information not yet acquired by devices (other devices) or own-device applications.

Acquisition method:

- Read the “Newest received event notification ID”.
- Notification ID of Oldest received event notification ID” is compared with the ID controlled as the most recent notification ID by devices (other devices) or own-device applications themselves (*1). If the values are the same, there is no unacquired event information. If the values are different, there is unacquired event information, and so all notification IDs from the next value after *1 to the “Oldest received event notification ID” should be read in sequence. Specifically, the notification ID to be acquired is written in the “Notification ID designation” property, immediately after which the “Event information” property is read. (It is recommended that the SetGet service be used to process both properties in a single message.)

Acquisition result:

- By applying the above process sequentially, all event information can be acquired.

Notes:

- The value range of the notification ID should be taken into account. After it has reached the upper limit, the minimum value of 0x01 is assigned to the notification ID.

In the specific example shown in (iv) above, the “Newest received event notification ID” is “48”, while the most recent notification ID retained by the device (or own-device application) itself is “45”. This shows that there is unacquired event information, and that event information with notification IDs of 46, 47 and 48, respectively, may be read.

Notification ID	Implementation date	Remarks
40	7/6	Oldest value of notification ID
41	9/1	
42	7/5	
43	7/7	
44	8/11	
45	7/25	
46	8/4	
47	7/31	
48	8/31	Newest value of notification

The notification IDs of unacquired event information can be known by acquiring the "Newest received event notification ID" (= 48) and comparing it with the most recent notification ID (45) retained by the device (or own-device application) itself.

The most recent notification ID (45) retained by the device (or own-device application) itself is "45"

Acquisition target

(ix) UC5: Acquiring information on past events

These are cases of usage aimed at acquiring all event information with past implementation dates and time bands (but limited to information retained by DR event controller object). The notification IDs of events from past implementation dates and time bands retained by DR event controller object can be known by reading the "Past event information notification ID list" property and acquiring the notification ID list included in it. Thereafter, the event information of all notification IDs included in the acquired notification ID list may be read. Specifically, the notification ID to be acquired is written in the "Notification ID designation" property, immediately after which the "Event information" property is read. (It is recommended that the SetGet service be used to process both properties in a single message.)

Property name	Detailed data items
Operation status	
Business ID	
DR Program type	
Program ID	
Current valid event information	
Next valid event information	
Future event information notification ID list	List count
	Notification ID list
Past event information notification ID list	List count
	Notification ID list
Newest received event notification ID	
Oldest received event notification ID	
Notification ID designation	
Event information ID designation	
Target device information list	
Event information	
Confirm/OPT information	
Confirm/OPT information status	

Usage case:
 Acquiring all event information retained with past implementation dates and time bands.

Acquisition method:

- Read the "Past event information notification ID list".
- Read the event information of all notification IDs included in the acquired notification ID list of "Past event information notification ID list".
 Specifically, the notification ID to be acquired is written in the "Notification ID designation" property, immediately after which the "Event information" property is read. (It is recommended that the SetGet service be used to process both properties in a single message.)
- If the list count in the "Past event information notification ID list" is "0", it means that no event information has been retained.

Acquisition result:

- By applying the above process sequentially, event information of can be acquired.

Notes:

- Only event information retained by DR event controller object may be acquired.

In the specific example shown in (iv) above, the notification IDs in the "Past event information notification ID list" are "47, 45, 43, 40, 42". This shows that event information with notification IDs of 47, 45, 43, 40 and 42, respectively, may be read.

Notification ID	Implementation date	Remarks
40	7/6	Oldest value of notification ID
41	9/1	
42	7/5	
43	7/7	
44	8/11	
45	7/25	
46	8/4	
47	7/31	
48	8/31	Newest value of notification

Values in the "Past event information notification ID list":

List count	5
Notification ID list	47 45 43 40 42

The list is sorted in sequence from the nearest start time to the present.

Lists of notification IDs from past events can be acquired by reading the "Past event information notification ID list" property.

Acquisition target

(x) UC6: Acquiring information on the events due to be implemented in future
 These are cases of usage aimed at acquiring all event information with future implementation dates and time bands (but limited to information retained by DR event controller object).

The notification IDs of events with future implementation dates and time bands retained by DR event controller object can be known by reading the “Future event information notification ID list” property and acquiring the notification ID list included in it. Thereafter, the event information of all notification IDs included in the acquired notification ID list may be read. Specifically, the notification ID to be acquired is written in the “Notification ID designation” property, immediately after which the “Event information” property is read. (It is recommended that the SetGet service be used to process both properties in a single message.)

Property name	Detailed data items
Operation status	
Business ID	
DR Program type	
Program ID	
Current valid event information	
Next valid event information	
Future event information notification ID list	List count
	Notification ID list
Past event information notification ID list	List count
	Notification ID list
Newest received event notification ID	
Oldest received event notification ID	
Notification ID designation	
Event information ID designation	
Target device information list	
Event information	
Confirm/OPT information	
Confirm/OPT information status	

Usage case:
 Acquiring all event information retained with future implementation dates and time bands.

Acquisition method:

- Read the “Future event information notification ID list”.
- Read the event information of all notification IDs included in the acquired notification ID list of “Future event information notification ID list”.

Specifically, the notification ID to be acquired is written in the “Notification ID designation” property, immediately after which the “Event information” property is read. (It is recommended that the SetGet service be used to process both properties in a single message.)

- If the list count in the "Past event information notification ID list" is "0", it means that no event information has been retained.

Acquisition result:

- By applying the above process sequentially, event information of can be acquired.

Notes:

- Only event information retained by DR event controller object may be acquired.

In the specific example shown in (iv) above, the notification IDs in the “Future event information notification ID list” are “46, 44, 48, 41”. This shows that event information with notification IDs of 46, 44, 48 and 41, respectively, may be read.

Notification ID	Implementation date	Remarks
40	7/6	Oldest value of notification ID
41	9/1	
42	7/5	
43	7/7	
44	8/11	
45	7/25	
46	8/4	
47	7/31	
48	8/31	Newest value of notification

Values in the "Future event information notification ID list":	
List count	4
Notification ID list	46 44 48 41

The list is sorted in sequence from the nearest start time to the present.

Lists of notification IDs from future events can be acquired by reading the "future event information notification ID list" property.

Acquisition target

(H) Specific examples of acquiring confirm/opt information

The method whereby devices (other devices) or own-device applications acquire confirm/opt information shall now be explained.

Confirm/opt information is identified via event information IDs. Devices (other devices) or own-device applications can acquire the desired confirm/opt information by writing the event information ID corresponding to the confirm/opt information they need to acquire in the "Event information ID designation" property, then immediately reading the "Confirm/opt information" property. (It is recommended that the SetGet service be used to process both properties in a single message.)

Property name	Detailed data items
Operation status	
Business ID	
DR Program type	
Program ID	
Current valid event information	
Next valid event information	
Future event information notification ID list	List count Notification ID list
Past event information notification ID list	List count Notification ID list
Newest received event notification ID	
Oldest received event notification ID	
Notification ID designation	
Event information ID designation	
Target device information list	
Event information	
Confirm/OPT information	
Confirm/OPT information status	

Usage case:
 Acquiring confirm/opt information.

Acquisition method:
 • Write the event information ID corresponding to the confirm/opt information they need to acquire in the "Event information ID designation" property, then immediately read the "Confirm/opt information" property. (It is recommended that the SetGet service be used to process both properties in a single message.)

Acquisition result:
 • Confirm/OPT information corresponding to the designated event information ID is returned.

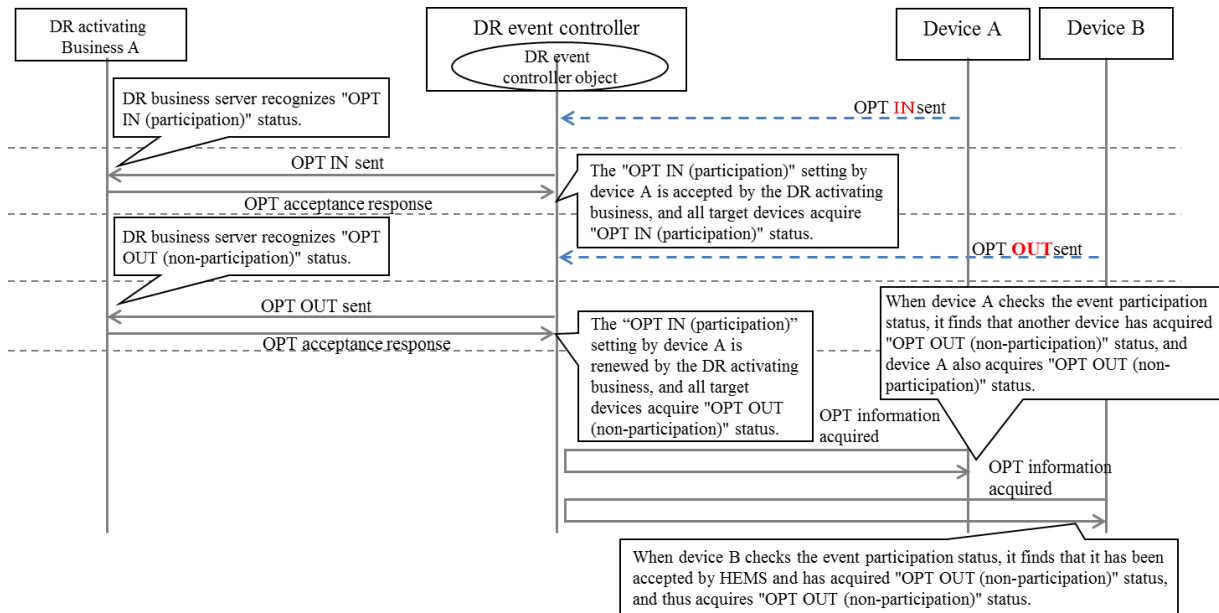
Notes:
 • Only event information retained by DR event controller objects may be acquired.

(I) Using OPT information

The sequence for setting OPT information acceptance from more than one device shall

be explained below.

If event non-participation from device B is accepted by the DR activating business after event participation from device A has been accepted, processing shall follow the rule of most recent priority. An example of the specific sequence in this case is shown below.



(J) Specific examples of acquiring confirm/opt information status

The method whereby devices (other devices) or own-device applications acquire confirm/opt information status shall now be explained.

Confirm/opt information status is identified via event information IDs. Devices (other devices) or own-device applications can acquire the desired confirm/opt information status by writing the event information ID corresponding to the confirm/opt information status they need to acquire in the "Event information ID designation" property, then immediately reading the "Confirm/opt information status" property. (It is recommended that the SetGet service be used to process both properties in a single message.)

Property name	Detailed data items
Operation status	
Business ID	
DR Program type	
Program ID	
Current valid event information	
Next valid event information	
Future event information notification ID list	List count
	Notification ID list
Past event information notification ID list	List count
	Notification ID list
Newest received event notification ID	
Oldest received event notification ID	
Notification ID designation	
Event information ID designation	
Target device information list	
Event information	
Confirm/OPT information	
Confirm/OPT information status	

Usage case:
 Acquiring confirm/opt information status.

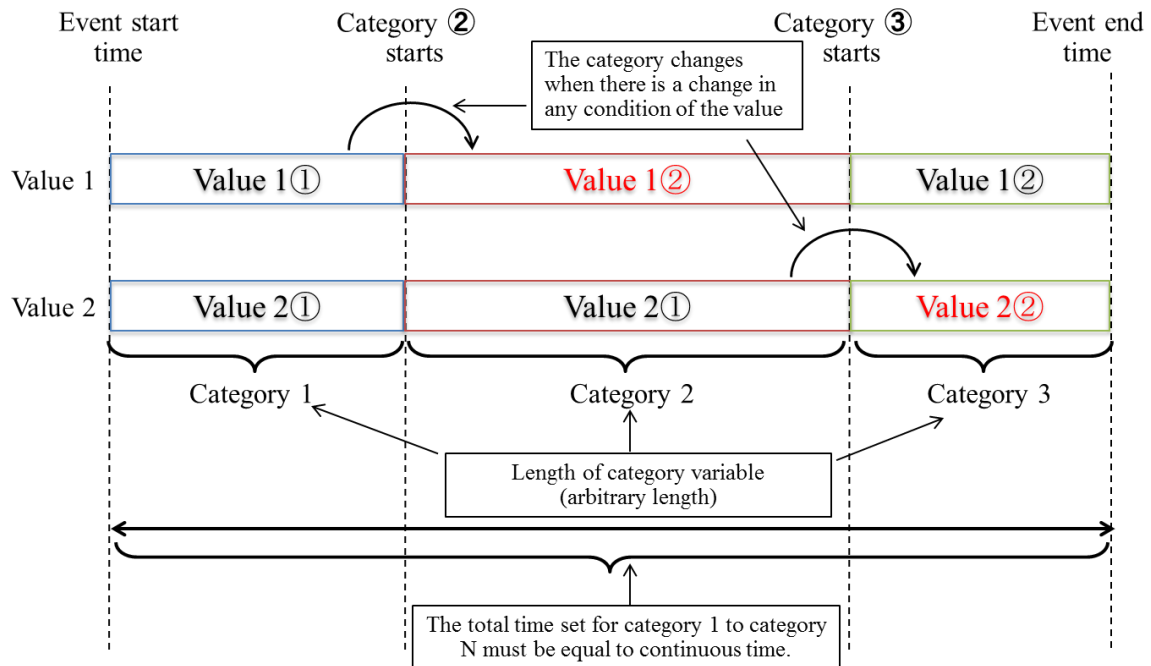
Acquisition method:
 • Write the event information ID corresponding to the confirm/opt information status they need to acquire in the “Event information ID designation” property, then immediately read the “Confirm/opt information status” property. (It is recommended that the SetGet service be used to process both properties in a single message.)

Acquisition result:
 • Confirm/OPT information corresponding to the designated event information ID is returned.

Notes:
 • Only confirm/opt information status retained by DR event controller object may be acquired.

(K) Categories

During continuous time when categories are changed, this change is made when there is a change in the conditions of value 1 or value 2.

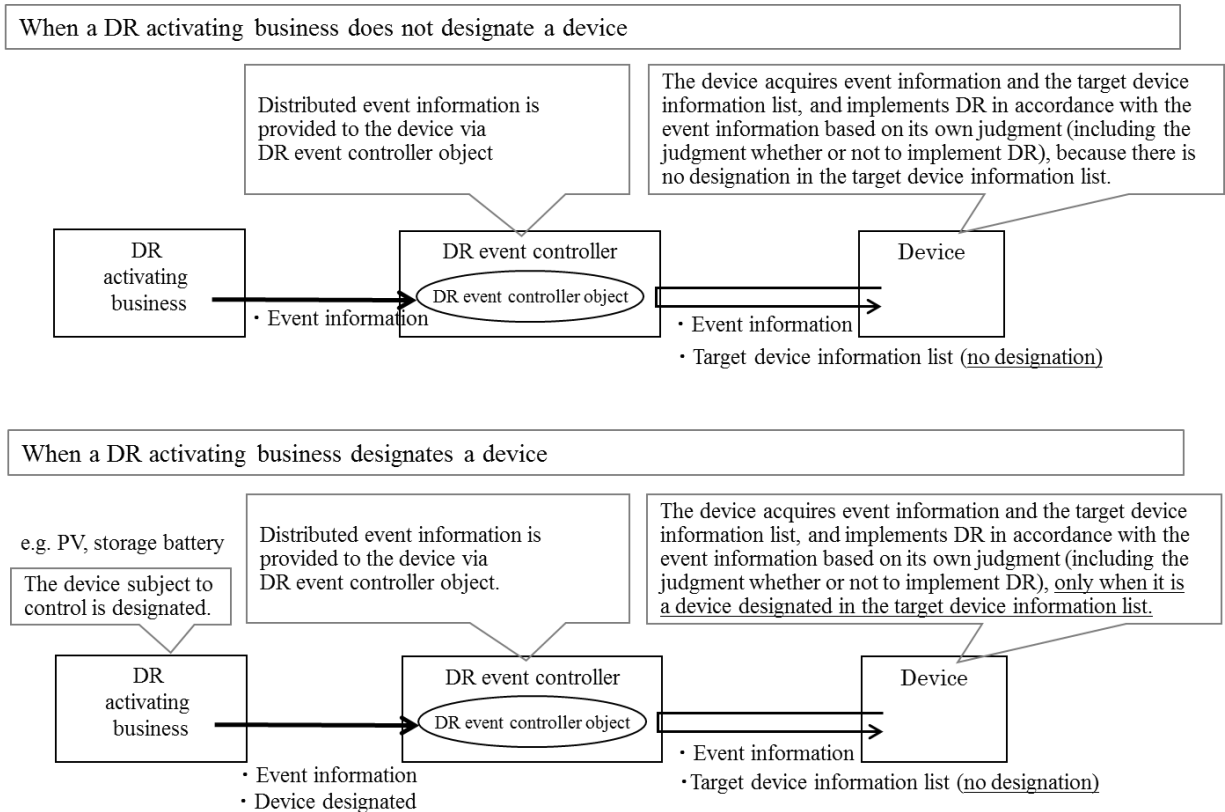


(L) Target device information list

The “Target device information list” property shall be explained below.

When a DR activating business designates a DR target device, information on that device is stored in this property and recognized by devices (other devices) or own-device

applications. In these specifications, devices are designated not for each event but for each DR program, and the designated devices are fixed (constant).



Designation of devices takes three forms: designation of device type, designation of specific devices, and designation of installation location. These may be combined.

Target	Content	Designation method
Device type	Designation of just device type, e.g. PV or storage battery	<ul style="list-style-type: none"> • Class group code • Class code • (Instance is not specified.)
Specific devices	Designation of specific devices	<ul style="list-style-type: none"> • Class group code • Class code • Instance code
		<ul style="list-style-type: none"> • Identification number

		• Individual identification information
Installation location	Designation of installation location	• Installation location

The “Target device information list” property is used to designate devices. The “Target device information list” property has the structure of a list, and lists target device information. Target device information comprises the following data.

Bytes 1-3: EOJ
 Byte 4: Installation location
 Bytes 5-6: Individual identification information
 Bytes 7-23: Identification number

EOJ	Class group code	1 byte
	Class code	1 byte
	Instance code	1 byte
Installation location		1 byte
Individual identification information		2 bytes
Identification number		17 bytes

Information may also be designated in combination. There are nine patterns for combination, as shown in the table below.

#	Class group code	Class code	Instance code (including all-instance code)	Installation location	Individual identification information	Identification number
1	○	○	○			
2	○	○	○	○		
3	○	○	○		○	
4	○	○	○			○
5	○	○	○	○	○	
6	○	○	○	○		○
7				○		
8					○	
9						○

(M) Destinations for INF / INFC

Destinations for status change announcements regarding the “Newest received event notification ID” property (INF / INFC) shall be node profile object. Therefore, the DEOJ

value setting of the message shall be 0x0EF001.

3. 6. 4 Requirements for parallel processing combination-type power control class

Class group code : 0x05

Class code : 0xFA

Instance code : 0x01~0x7F (0x00: All-instance specification code)

Property name	EPC	Contents of property	Data type	Data size	Unit	Access rule	Mandatory	Announcement at status change	Remark
		Value range (decimal notation)							
Operation status	0x80	This property indicates the ON/OFF status.	unsigned char	1 byte	—	Set	○	○	
		ON = 0x30, OFF = 0x31				Get			
Power deviation information	0xC0	This property indicates information related to the difference between total power and reference power.	unsigned char + signed short	3 bytes	No units + A	Set	○		
		1 byte: 0x00 (reference voltage = 200V), 0x01 (reference voltage = 100V) 2 to 3 bytes: Deviated power -256A to +256A							
Power reduction information	0xC1	This property indicates the reducible electric energy of the entire system and the parameters to calculate the electric energy reduced by each device.	unsigned char + unsigned char	2 bytes	kVA + No units	Set	○		
		1 byte: Maximum reducible electric energy 0x00 to 0xFF 2 bytes: Number of devices 0x00 to 0xFF							
Transmission interval	0xC2	This property indicates the transmission interval at which the power deviation information is transmitted.	unsigned char	1 byte		Set	○		
		Indicated in 8-bit. bit 7: 0b; seconds, 1b; minutes, bit 6-4; 0 fixed bit 3-0: transmission interval 0000b; 1, 0001b; 2, 0010b; 3, 0011b; 5, 0100b; 10, 0101b; 20, 0110b; 30, 0111b; 60							
Rated power consumption threshold	0xC3	This property indicates the threshold for rated power consumption that performs power control	unsigned char	3	No units +	Set			

		1 byte: Data type 2 to 3 bytes: Threshold [If data type is 0x01] 0x0000: All devices 0x0001: Devices that are 500W or higher 0x0002: Devices that are 1000W or higher 0x0003: Devices that are 2000W or higher [If data type is 0x02] 0x0000 to 0xFFFFD (0W to 65,533W)	+ unsigned short		Listed within value range				
--	--	---	------------------------	--	------------------------------------	--	--	--	--

Note: In the “Announcement at status change” column, ○ denotes mandatory processing when the property is implemented.

(1) Operation status (property inherited from the device object super class)

This property indicates whether the function intrinsic to this class is operating or not (ON/OFF). In the node incorporating this class, if the function of this class is started concurrently with the start of node operation, this property may be implemented at a fixed value of 0x30 (Operation status ON).

(2) Power deviation information

This property sets the difference between the total electric energy that is used and the target electric energy. If the value of the first byte is 0x00, the numbers indicated by the second and third bytes represent the electric current at a voltage of 200V; if the value of the first byte is 0x01, the numbers indicated by the second and third bytes represent the electric current at a voltage of 100V.

(3) Power reduction information

This property indicates the reduction amount of the entire system, and the number of devices equipped with a parallel processing combination-type power control class within the same ECHONET Lite domain.

(4) Transmission interval

This property indicates the interval at which power deviation information is transmitted from devices that transmit power deviation information to devices equipped with a parallel processing combination-type power control class.

bit 7: Indicates the unit of values indicated in b3 to b0. Indicates 0b (seconds), 1b (minutes).

bit 6 to 4: 0000 fixed

The following numbers are indicated in bit 3 to 0. (0000b: 1, 0001b: 2, 0010b: 3, 0011b: 5, 0100b: 10, 0101b: 20, 0110b: 30, 0111b: 60)

(5) Rated power consumption threshold

Distributed control is performed in cases where the rated power exceeds the power value designated by this property.

If the first byte is 0x01,

and the second to third byte is 0x0000: All devices are applicable

0x0001: Devices that are 500W or higher are applicable

0x0002: Devices that are 1000W or higher are applicable

0x0003: Devices that are 2000W or higher are applicable

If the first byte is 0x02, the devices of the numbers indicated by the second to third byte and higher are applicable. For example, if the value of the second to third byte is 0x0064, devices that are 100W or higher are applicable.

3. 7 Audiovisual-related Device Class Group

This section specifies the requirements, including the code values and property specifications, for each of the device objects which are ECHONET objects and belong to the Audiovisual-related Device Class Group (class group designation code X1 = 0x06).

Table 3-7 lists the classes covered by this section. The detailed requirements for each of the classes are specified in the respective subsection of this section. Each property specified as a required or conditionally required property with the ○ mark or a conditionally required property symbol in the “Mandatory” column of the applicable row of the property table is a property that must be implemented in combination with the applicable service(s) whenever the class to which that property belongs is implemented in a device.

Table 3-7 List of Objects of the Audiovisual-related Device Class Group

Class group code	Class code	Class name	Detailed requirements	Remark
0x06	0x00	Reserved for future use		
	0x01	Display	○	
	0x02	Television	○	
	0x03	Audio	○	
	0x04	Network camera	○	
	0x05-0xFF	Reserved for future use		

Note: ○ indicates a detail is explained including a property structure in APPENDIX.

3. 7. 1 Requirements for display class

Class group code : 0x06

Class code : 0x01

These requirements for the display class shall apply to character display function-related sections (display sections, display control sections, display data buffering sections, etc.) of display devices which belong to the Audiovisual-related Device Class Group, and to character display function-related sections of devices equipped with a display function which belong to other class groups. New properties for character display functions (such as properties relating to characteristics of characters used in character displays (font, size, color, etc.), methods to display characters on displays and display locations) will be added in the future as necessary.

Specifically, these requirements for the display class shall apply to displays dedicated to displaying characters and to character display sections (LCD display sections) of devices of all classes.

Property name	EPC	Contents of property	Data type	Data size	Unit	Access rule	Mandatory	Announcement at status change	Remark
		Value range (decimal notation)							
Operation status	0x80	This property indicates the ON/OFF status of the weighing machine operation	unsigned char	1 byte	—	Set	Ⓔ	○	
		ON=0x30, OFF=0x31				Get	○		
Display control setting	0xB0	Sets the status as to whether the displaying of characters is enabled or disabled and acquires the current setting.	unsigned char	1 byte	—	Set/ Get			
		Displaying enabled: 0x30 Displaying disabled: 0x31							
Character string setting acceptance status	0xB1	This property indicates whether or not the device is ready to accept the character string to present to the user.	unsigned char	1 byte	—	Get	○	○	
		Ready: 0x30 Busy: 0x31							
Supported character codes	0xB2	This property indicates, in a bit map format, the implemented character codes that can be used to present character strings.	unsigned char × 2	2 bytes	—	Get	○		

		Bit 0 ANSI X3.4 Implemented: 1 Not implemented: 0 Bit 1 Shift-JIS Implemented: 1 Not implemented: 0 Bit 2 JIS Implemented: 1 Not implemented: 0 Bit 3 Japanese EUC Implemented: 1 Not implemented: 0 Bit 4 UCS-4 Implemented: 1 Not implemented: 0 Bit 5 UCS-2 Implemented: 1 Not implemented: 0 Bit 6 Latin-1 Implemented: 1 Not implemented: 0 Bit 7 UTF-8 Implemented: 1 Not implemented: 0 Bit 8 and succeeding bits: reserved for future use 0							
Character string to present to the user	0xB3	Sets the character string to present to the user, the length of the character string and the character code to use to present the character string and acquires the stored setting. The highest-order byte shall indicate the byte sequence data length of the character string to present to the user and the second-highest-order byte shall indicate the character code to use. The second-highest-order byte shall be followed by a byte containing "0x00" (reserved for future use), which shall be followed by a number of bytes, each assigned with one of the first and succeeding bytes, starting with the first byte, of the character string to present to the user. The lowest-order byte shall be assigned with the last byte of the character string to present to the user.	unsigned char × Max 247	Max 247 bytes	—	Set Get	○		

		First byte: Byte code sequence data length of the character string to present to the user converted to the hexadecimal format Second byte: Character code to use Third byte: reserved for future use Fourth and succeeding bytes: Byte code sequence of the character string to present to the user (max. 244 bytes) Each of the character codes listed below shall be assigned with the indicated code value. ANSI X3.4=0x01 Shift-JIS=0x02 JIS =0x03 Japanese EUC=0x04 UCS-4 =0x05 UCS-2 =0x06 Latin-1=0x07 UTF-8=0x08 0x09 and succeeding values = reserved for future use							
Length of character string accepted	0xB4	This property indicates the total number of bytes of the newest character string to present to the user which has been set and is being held.	unsigned char	2 byte	-	Get	○		
		First byte: 0x00 to 0xF4 Second byte: 0x00 (reserved for future use)							

Note: In the “Announcement at status change” column, ○ denotes mandatory processing when the property is implemented.

(1) Operation status (inherited from the super class property)

Sets the ON/OFF status of the display and acquires the current setting. The values “0x30” and “0x31” shall be assigned to the ON and OFF states, respectively. In the case where an “energy service” is to be supported, the implementation of the SET function for this property is mandatory.

(2) Display control setting

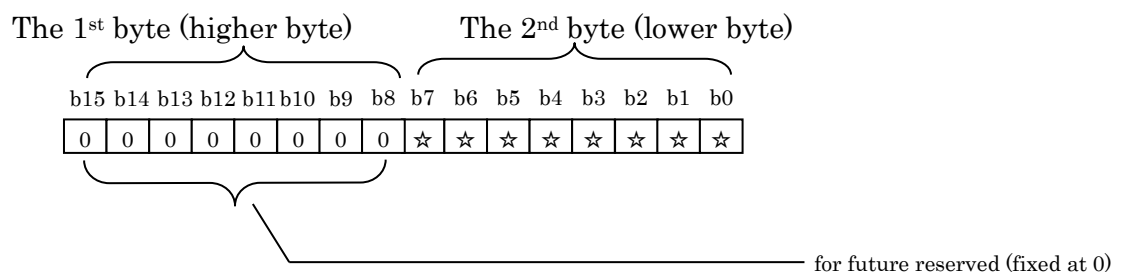
A SET on this property sets the status of this class as to whether the displaying of characters is enabled or disabled. A GET on this property acquires the current setting. The values “0x30” and “0x31” shall be assigned to the “Displaying enabled” and “Displaying disabled” states, respectively. Because this property is a function to just switch between the “Displaying enabled” and “Displaying disabled” states, SETs on the “Character string to present to the user” property must be effective even when the “Display control setting” property value is “0x31” (Displaying disabled) as long as the “Character string setting acceptance status” property value is “0x30.”

(3) Character string setting acceptance status

A GET on this property shows the status as to whether this class is ready to accept the “Character string to present to the user” property settings. The values “0x30” and “0x31” shall be assigned to the “Ready” state (i.e. the state in which the settings can be accepted) and “Busy” state (i.e. the state in which the settings cannot be accepted), respectively.

(4) Supported character codes

A SET on this property shows a bit map list of the implemented character codes (sets of coded characters) that can be used by this class to present character strings. The value “0” indicates that the code in question is not implemented, and the value “1” indicates that the code in question is implemented.



The relationship between the bits and codes is as follows:

- Bit 0 — ANSI X3.4: Implemented = 1 Not implemented = 0
- Bit 1 — Shift-JIS: Implemented = 1 Not implemented = 0
- Bit 2 — JIS: Implemented = 1 Not implemented = 0
- Bit 3 — Japanese EUC: Implemented = 1 Not implemented = 0
- Bit 4 — UCS-4: Implemented = 1 Not implemented = 0
- Bit 5 — UCS-2: Implemented = 1 Not implemented = 0
- Bit 6 — Latin-1: Implemented = 1 Not implemented = 0
- Bit 7 — UTF-8: Implemented = 1 Not implemented = 0
- Bits 8 to 15 — reserved for future use (fixed at 0)

For the detailed specifications for the character codes, refer to the following standards:

- ANSI X3.4 : American National Standards Institute, "Coded character set -- 7-bit American national standard code for information interchange", ANSI X3.4-1986.(ASCII)
- Shift-JIS : JIS X 0208:1997 “7-bit and 8-bit double byte coded Kanji sets for information interchange”
- JIS : ISO/IEC 2022 :1994 Information technology -- Character code structure and extension techniques, ISO-2022-JP (JIS X 0208:1997)

- Japanese EUC : ISO/IEC 2022 :1994 Information technology -- Character code structure and extension techniques, ISO-2022-JP (JIS X 0208:1997)
- UCS-4, UCS-2 : ISO/IEC 10646-1:2000 Information technology -- Universal Multiple-Octet Coded Character Set (UCS) -- Part 1: Architecture and Basic Multilingual Plane.
- Latin-1 : ISO/IEC 8859-1:1998 Information technology -- 8-bit single-byte coded graphic character sets -- Part 1: Latin alphabet No. 1
- UTF-8 : RFC 3629 “UTF-8,a transformation format of ISO 10646”

(5) Character string to present to the user

A SET on this property sets the character string to present to the user of this class, the length of the character string and the character code to use to present the character string. SETs on this property must be effective when the “Character string setting acceptance status” property value is “0x30.”

The highest-order byte shall indicate the byte code sequence length of the character string to present to the user converted to the hexadecimal format and the second-highest-order byte shall indicate the character code to use to present the character string. The second-highest-order byte shall be followed by a byte (the third byte) containing “0x00” (reserved for future use), which shall be followed by a number of bytes (the fourth and succeeding bytes), each assigned with one of the first and succeeding byte code characters, starting with the first byte code character, of the character string to present to the user. The lowest-order byte shall be assigned with the last byte code character of the character string to present to the user. The character string to present to the user may contain control codes. A GET on this property acquires “the byte code sequence length of the character string to present to the user converted to the hexadecimal format that has been set in this property through the SET function” (first byte), “the character code to use to present the character string to the user that has been set through the SET function” (second byte), the value “0x00” (reserved for future use) (third byte) and “the byte code sequence for the character string to present to the user that has been successfully set” (fourth and succeeding bytes).

The character codes are represented as follows: ANSI X3.4 = 0x01, Shift-JIS = 0x02, JIS = 0x03, Japanese EUC = 0x04, UCS-4 = 0x05, UCS-2 = 0x06, Latin-1 = 0x07, UTF-8 = 0x08. This class shall use the character code specified by the character code setting of this property when handling the received character string to present to the user. This property shall be effective even when the value of the “Operation status” property (0x80) is OFF (0x31). The byte order for this property shall be as shown in the figure below.

The 1st byte (The most significant)	The 2nd byte	The 3rd byte	The 4th byte	The Nth byte (The least significant)
Bytes from the 4th to the Nth byte (in case of SET)	Transmission Character array setting character code	0x00 (for future reserved)	Transmission character array code The first byte	Transmission character array code The last byte

Below are examples showing how this property works.

When the character string “ECHONET” is set using the SET function with ANSI X3.4 specified as the character code to use:

- The content of the property will be “0x0701004543484F4E4554.”

Examples of the result of a subsequent GET:

- Normal success: 0x0701004543484F4E4554
- Failure: 0x0701004543484F4E (The writing of the last 2 bytes failed because of a memory shortage, etc.)
- Success: 0x04020031323334 (Another node has set “0x04020031323334” using the SET function after the first SET.)

(6) Length of character string accepted

A GET on this property acquires the data length of the newest character string to present to the user which is being held by the “Character string to present to the user” property of this class as the first byte. This is not necessarily the same as the first byte acquired by a GET on the “Character string to present to the user” property (byte value of the byte code sequence length). The content of this property shall be updated in conjunction with the “Character string to present to the user” property. The second byte of this property shall be “0x00” (reserved for future use). This property shall be effective even when the value of the target “Operation status” property for writing (0x80) is OFF (0x31).

3. 7. 2 Requirements for television class

Class group code : 0x06

Class code : 0x02

These requirements for the television class shall apply to televisions in general.

Functions unique to this class will be added in the future as necessary.

Property name	EPC	Contents of property	Data type	Data size	Unit	Access rule	Mandatory	Announcement at status change	Remark
		Value range (decimal notation)							
Operation status	0x80	Refer to the section on the requirements for the display class (class group code = 0x06, class code = 0x01).	unsigned char	1 byte	—	Set Get	Ⓔ ○	○	
Display control setting	0xB0	Refer to the section on the requirements for the display class (class group code = 0x06, class code = 0x01).	unsigned char	1 byte	—	Set/ Get			
Character string setting acceptance status	0xB1	Refer to the section on the requirements for the display class (class group code = 0x06, class code = 0x01).	unsigned char	1 byte	—	Get	Ⓔ Ⓔ Ⓔ	○	
Supported character codes	0xB2	Refer to the section on the requirements for the display class (class group code = 0x06, class code = 0x01).	unsigned char × 2	2 bytes	—	Get	Ⓔ Ⓔ Ⓔ		
Character string to present to the user	0xB3	Refer to the section on the requirements for the display class (class group code = 0x06, class code = 0x01).	unsigned char × Max 247	Max 247 bytes	—	Set Get	○		
Length of character string accepted	0xB4	Refer to the section on the requirements for the display class (class group code = 0x06, class code = 0x01).	unsigned char	2 bytes	—	Get	Ⓔ Ⓔ Ⓔ		

Note: In the “Announcement at status change” column, ○ denotes mandatory processing when the property is implemented.

(1) Operation status (The super class property is inherited.)

Sets the ON/OFF status of the television and acquires the current operation status setting. The values “0x30” and “0x31” shall be assigned to the ON and OFF states, respectively. In the case where an “energy service” is to be supported, the implementation of the SET function for this property is mandatory.

(2) Display control setting

Refer to the section on the requirements for the display class (class group code = 0x06, class code = 0x01).

(3) Character string setting acceptance status

Refer to the section on the requirements for the display class (class group code = 0x06, class code = 0x01).

In the case where a “home amenity service” or a “security service” is to be supported, the implementation of this property is mandatory

(4) Supported character codes

Refer to the section on the requirements for the display class (class group code = 0x06, class code = 0x01).

In the case where a “home amenity service” or a “security service” is to be supported, the implementation of this property is mandatory.

(5) Character string to present to the user

Refer to the section on the requirements for the display class (class group code = 0x06, class code = 0x01).

The implementation of the SET function for this property is mandatory.

(6) Length of character string accepted

Refer to the section on the requirements for the display class (class group code = 0x06, class code = 0x01).

In the case where a “home amenity service” or a “security service” is to be supported, the implementation of this property is mandatory.

3. 7. 3 Requirements for audio class

Class group code : 0x06

Class code : 0x03

Property name	EPC	Contents of property	Data type	Data size	Unit	Access rule	Mandatory	Announcement at status change	Remark
		Value range (decimal notation)							
Operation status	0x80	This property indicates the ON/OFF status.	unsigned char	1 byte	—	Set		○	
		ON = 0x30, OFF = 0x31				Get			
Volume setting	0xB8	This property is used to set the volume of audio equipment and to acquire the setting status.	unsigned char	1 byte	%	Set/Get		○	
		0x00–0x64 (0–100)							
Mute setting	0xB9	This property is used to set audio equipment to mute and to acquire the setting status.	unsigned char	1 byte	—	Set/Get		○	
		Mute ON = 0x30, Mute OFF = 0x31							
Input source setting	0xBC	This property is used to change the input source of audio equipment and to acquire the setting status.	unsigned char × 2	2 bytes	—	Set/Get		○	
		Byte 1: Input source type 0x00–0xFE (0–254) Byte 2: Input source number 0x01–0xFE (1–254)							

Note: In the “Announcement at status change” column, ○ denotes mandatory processing when the property is implemented.

(1) Operation status (inherited from the super class property)

This property is used to turn the power of audio equipment ON or OFF and to acquire the operation status. The ON status corresponds to 0x30, and the OFF status corresponds to 0x31.

(2) Volume setting

“Set” of this property is used to set the volume of audio equipment.

“Get” of this property is used to acquire the current volume.

This property indicates the volume value by percentage. The value is 0x00 (0) for the minimum volume and 0x64 (100) for the maximum volume.

When the volume of the main unit is continuously changed, a status change announcement may be issued at every change, at a discrete value, or at a final value. (Example: When the volume is continuously changed from 0x10 to 0x20 by main unit operation, a status change announcement may be issued 16 times from 0x11 to 0x20,

two times at 0x18 and 0x20, or once at the final value of 0x20.)

(3) Mute setting

“Set” of this property is used to set the mute function of audio equipment to ON or OFF.

“Get” of this property is used to acquire the current mute status.

Voice is not output when the mute function is ON but is output when it is OFF.

The property value is 0x30 for mute ON and 0x31 for mute OFF.

The correlation between the “mute setting” property and the “volume setting” property shall depend on the implementation.

(Example 1: If the value of the “volume setting” property is 20 when the mute function is OFF, the value of the “volume setting” property remains 20 even after the mute function is turned ON. When the mute function is ON, the value of the “volume setting” property may be 0.

(Example 2: If the value of the “volume setting” property is 20 when the mute function is OFF, the value of the “volume setting” property remains 20 even after the mute function is turned OFF, ON, and OFF. Alternatively, the value of the “volume setting” property may become 0.)

(4) Input source setting

“Set” of this property is used to change the input source of audio equipment.

Byte 1 indicates an input source type and Byte 2 indicates an input source number.

Input source type refers to the type of an input source, such as Tuner or Disk, as defined in the table below.

Input source number indicates which input source when there are several input sources of the same type.

Input source number starts from 1. When there are three HDMI input ports, for example, input source numbers 1, 2, and 3 correspond to HDMI 1, 2, and 3, respectively.

“Get” of this property is used to acquire the current input source information. When the “operation status” property (0x80) is OFF (0x31), the input source type at Byte 1 and the input source number at Byte 2 shall depend on the implementation.

(Example 1: The value of the “input source setting” property at power-off is 0xFE (no setting) for both the input source type at Byte 1 and the input source number at Byte 2.

(Example 2: If the input source type is Tuner and the input source number is 1 at the next power-on, the value of the “input source setting” property at power-off is 0x00 (Tuner) for the input source type at Byte 1 and 0x01 (No.1) for the input source number at Byte 2.)

Byte 1: Input source type Setting	Selected source equipment	Remarks
0x00	Tuner built into the equipment	
0x01	8 cm/12 cm optical disk device, such as CD, DVD, or BD built into the equipment	
0x02	MD built into the equipment	
0x08	Cassette built into the equipment	
0x10	Analog/digital input terminal for external input	For analog, optical, or coaxial voice input
0x11	HDMI® terminal for external input	
0x20	USB for external input	
0x21	Built-in memory card slot	SD or other memory card
0x22	Built-in storage	
0x23	Dedicated terminal for portable player	Music player, etc.
0x30	Network-related input	Wireless input using Wireless Bluetooth® or Miracast™ and cable network input
0x80–0xBF	Equipment-unique area	Application service and other functions unique to the equipment
0xC0–0xFD	Prohibited	
0xFE	Not set	It is prohibited to set this value when no input source information is set.
Other than above	Reserved	Reserved for future use

HDMI, HDMI logo, and High-Definition Multimedia Interface are trademarks or registered trademarks of HDMI Licensing in the United States and other countries.

Bluetooth is a registered trademark of U.S. Bluetooth SIG, Inc.

Miracast™ is a trademark of Wi-Fi Alliance.

3. 7. 4 Requirements for network camera

Class group code : 0x06

Class code : 0x04

Instance code : 0x01- 0x7F (0x00: All-instance specification code)

Property name	EPC	Contents of property	Data type	Data size	Unit	Access rule	Mandatory	Announcement at status change	Remark
		Value range (decimal notation)							
Operation status	0x80	This property indicates the ON/OFF status.	unsigned char	1 byte	—	Set	○		
		ON = 0x30, OFF = 0x31				Get			
Still image photography setting acceptance status	0xC0	Indicates whether the device is ready to accept still image photography.	unsigned char	1 byte	—	Get	○		
		Ready = 0x30, busy = 0x31							
Still image photography setting	0xC1	Sets still image photography.	unsigned char	1 byte	—	Set	○		
		Still image photography = 0x30							
Transfer setting	0xD0	Used to set the method of transferring photographic data and acquire the set status. Indicates status using a bitmap.	unsigned char	1 byte	—	Set/Get		○	
		Set to 1 for valid setting, 0 for invalid setting. Bit 0: local storage transfer Bit 1: remote storage transfer Bit 2: mail transfer Bit 3-7: for future reserved							

Note: In the “Announcement at status change” column, ○ denotes mandatory processing when the property is implemented.

(1) Operation status (inherited from the super class property)

This property is used to set the network camera power ON or OFF and acquire the operation status. Property values 0x30 and 0x31 correspond to ON and OFF, respectively.

(2) Still image photography setting acceptance status

“Get” of this property is used to acquire the status indicating whether this class can accept the still image photography setting property settings or not. Property values 0x30 and 0x31 correspond to states in which settings can be accepted (Ready) and cannot be accepted (Busy), respectively.

(3) Still image photography setting

“Set” of this property activates still image photography. Photographs are taken in line with the photographic setting of devices equipped with this class. The specific photographic setting method depends on individual devices, and is not particularly stipulated.

Following a property value set request (SetI/SetC), if photography is possible after still image photography (0x30) has been set, “property value set response” (Set_Res) is returned. If photography is impossible, “property value set response impossible” (SetI_SNA/SetC_SNA) is returned.

(4) Transfer settings

A list of methods for transferring data photographed using the EPC 0xC1 “Still image photography setting” is indicated in bitmap format. Local storage transfer, remote storage transfer and mail transfer are stipulated as the methods of achieving this. The details of each are shown below.

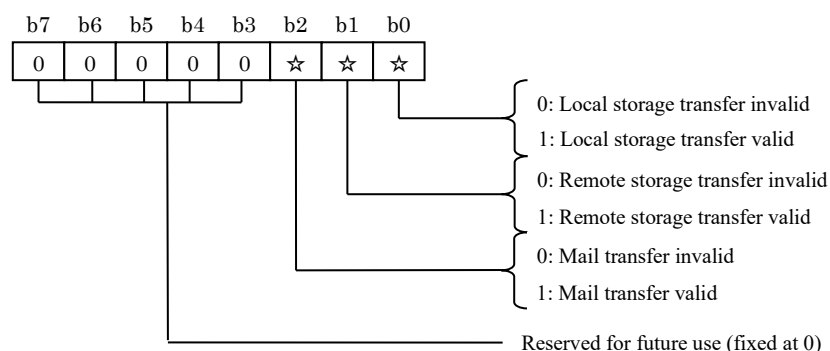
Local storage transfer indicates that data are transferred to memory device built into the device or a USB hard disk or other external memory device directly connected to the device.

Remote storage transfer indicates that data are transferred to a memory device accessible via the network.

Mail transfer indicates that data are transferred by means of a mail service.

A bit value of 0 indicates that the transfer method in question is invalid, and 1 that it is valid.

When the transfer method in question cannot be implemented, the bit value shall be set to 0 (invalid).



Annex 1 Property Map Description Format

When the number of properties is less than 16, Description Format 1 described below shall be used. When the number of properties is 16 or more, Description Format 2 described below shall be used.

Description Format 1

First byte : Number of properties (binary notation)

Second and succeeding bytes : The property codes (1-byte codes) shall be listed as they are.

Here is an example of property map description format (1) for an ECHONET node of the switch class (0x05FD).

NO	PROPERTY NAME	EPC
1	Operation status	0x80
2	Installation location	0x81
3	Standard version information	0x82
4	Identification number	0x83
5	Fault status	0x88
6	Manufacturer code	0x8A
7	Status change announcement property map	0x9D
8	Set property map	0x9E
9	Get property map	0x9F
10	Connected device	0xE0

The first byte is 0x0A because the number of properties is 10. For the second and later bytes, the above EPCs are enumerated as 0x0A, 0x80, 0x81, 0x82, 0x83, 0x88, 0x8A, 0x9D, 0x9E, 0x9F, and 0xE0.

Description Format 2

First byte : Number of properties (binary notation)

Second to 17th bytes : "1" shall be set in the bits representing the codes for the properties that exist in the 16-byte table shown below, and the values shall be listed in the order of byte number from the second byte.

	Bit 7	Bit 6	Bit 5	Bit 4	Bit 3	Bit 2	Bit 1	Bit 0
Second byte	F0	E0	D0	C0	B0	A0	90	80
Third byte	F1	E1	D1	C1	B1	A1	91	81

Fourth byte	F2	E2	D2	C2	B2	A2	92	82
Fifth byte	F3	E3	D3	C3	B3	A3	93	83
Sixth byte	F4	E4	D4	C4	B4	A4	94	84
Seventh byte	F5	E5	D5	C5	B5	A5	95	85
Eighth byte	F6	E6	D6	C6	B6	A6	96	86
Ninth byte	F7	E7	D7	C7	B7	A7	97	87
Tenth byte	F8	E8	D8	C8	B8	A8	98	88
Eleventh byte	F9	E9	D9	C9	B9	A9	99	89
Twelfth byte	FA	EA	DA	CA	BA	AA	9A	8A
Thirteenth byte	FB	EB	DB	CB	BB	AB	9B	8B
Fourteenth byte	FC	EC	DC	CC	BC	AC	9C	8C
Fifteenth byte	FD	ED	DD	CD	BD	AD	9D	8D
Sixteenth byte	FE	EE	DE	CE	BE	AE	9E	8E
Seventeenth byte	FF	EF	DF	CF	BF	AF	9F	8F

Note) Bit value 0: the property does not exist; bit value 1: the property exists.

Following is an example of Description Format 2 for the property map. This example shows the case of an ECHONET node in which the “Home air conditioner” class (0x0130) is implemented.

NO	Property name	EPC	Corresponding property map bit
1	Operation status	0x80	Bit 0 of the second byte
2	Installation location	0x81	Bit 0 of the third byte
3	Standard version information	0x82	Bit 0 of the fourth byte
4	Identification number	0x83	Bit 0 of the fifth byte
5	Current limit setting	0x87	Bit 0 of the ninth byte
6	Fault status	0x88	Bit 0 of the tenth byte
7	Fault description	0x89	Bit 0 of the eleventh byte
8	Manufacturer code	0x8A	Bit 0 of the twelfth byte
9	Business facility code	0x8B	Bit 0 of the thirteenth byte
10	Product code	0x8C	Bit 0 of the fourteenth byte
11	Production number	0x8D	Bit 0 of the fifteenth byte
12	Production date	0x8E	Bit 0 of the sixteenth byte
13	Power-saving operation setting	0x8F	Bit 0 of the seventeenth byte

14	ON timer reservation setting	0x90	Bit 1 of the second byte
15	Cumulative operating time	0x9A	Bit 1 of the twelfth byte
16	SetM property map	0x9B	Bit 1 of the thirteenth byte
17	GetM property map	0x9C	Bit 1 of the fourteenth byte
18	Status change announcement property map	0x9D	Bit 1 of the fifteenth byte
19	Set property map	0x9E	Bit 1 of the sixteenth byte
20	Get property map	0x9F	Bit 1 of the seventeenth byte
21	Operation mode setting	0xB0	Bit 3 of the second byte
22	Temperature setting	0xB3	Bit 3 of the fifth byte

When the properties listed above are published in the ECHONET node:

The first byte is 0x16 because the number of properties is 22. The second byte is 0x0B (=b'00001011') because the 0x80, 0x90 and 0xB0 properties are published and the corresponding bits are "Bit 0," "Bit 1" and "Bit3." The third, fourth, ninth, tenth and eleventh bytes are 0x01 because the 0x81, 0x82, 0x87, 0x88 and 0x89 properties are published and the corresponding bit is "Bit 0." The fifth byte is 0x09 (=b'00001001') because the 0x83 and 0xB3 properties are published and the corresponding bits are "Bit 0" and "Bit 3." The twelfth to seventeenth bytes are 0x03 (=b'00000011') because the 0x8A, 0x9A, 0x8B, 0x9B, 0x8C, 0x9C, 0x8D, 0x9D, 0x8E, 0x9E, 0x8F and 0x9F properties are published and the corresponding bits are "Bit 0" and "Bit 1."

Therefore, the property map description format for this case is:

"0x16, 0x0B, 0x01, 0x01, 0x09, 0x00, 0x00, 0x00, 0x01, 0x01, 0x01, 0x03, 0x03, 0x03, 0x03, 0x03, 0x03, 0x03"